



US00D445709S

(12) **United States Design Patent**
Falk

(10) **Patent No.:** **US D445,709 S**

(45) **Date of Patent:** **** Jul. 31, 2001**

(54) **DETECTOR**

(75) Inventor: **Yael Falk**, Yahud (IL)

(73) Assignee: **Visonic Ltd.**, Tel Aviv (IL)

(**) Term: **14 Years**

(21) Appl. No.: **29/126,181**

(22) Filed: **Jul. 12, 2000**

(30) **Foreign Application Priority Data**

Jan. 12, 2000 (IL) 32836

(51) **LOC (7) Cl.** **10-05**

(52) **U.S. Cl.** **D10/106**

(58) **Field of Search** D10/104, 106,
D10/116, 121; 340/384.1, 384.3, 384.7,
388.1, 390.1, 391.2, 392.2, 392.4

(56) **References Cited**

U.S. PATENT DOCUMENTS

D. 419,475 * 1/2000 Chu D10/106

* cited by examiner

Primary Examiner—Marcus A. Jackson

(74) *Attorney, Agent, or Firm*—Pillsbury Winthrop LLP

(57) **CLAIM**

The ornamental design for a detector, as shown and described.

DESCRIPTION

FIG. 1 illustrates a rear perspective view of a detector according to the present invention, with the broken line showing for illustrative purposes only and forming no part of the claimed design;

FIG. 2 illustrates a front perspective view of the detector according to the present invention;

FIG. 3 illustrates a right side view of the detector according to the present invention;

FIG. 4 illustrates a top plan view of the detector according to the present invention;

FIG. 5 illustrates a left side view of the detector according to the present invention;

FIG. 6 illustrates a front side view of the detector according to the present invention;

FIG. 7 illustrates a bottom side view of the detector according to the present invention; and,

FIG. 8 illustrates a back side view of the detector according to the present invention.

1 Claim, 3 Drawing Sheets

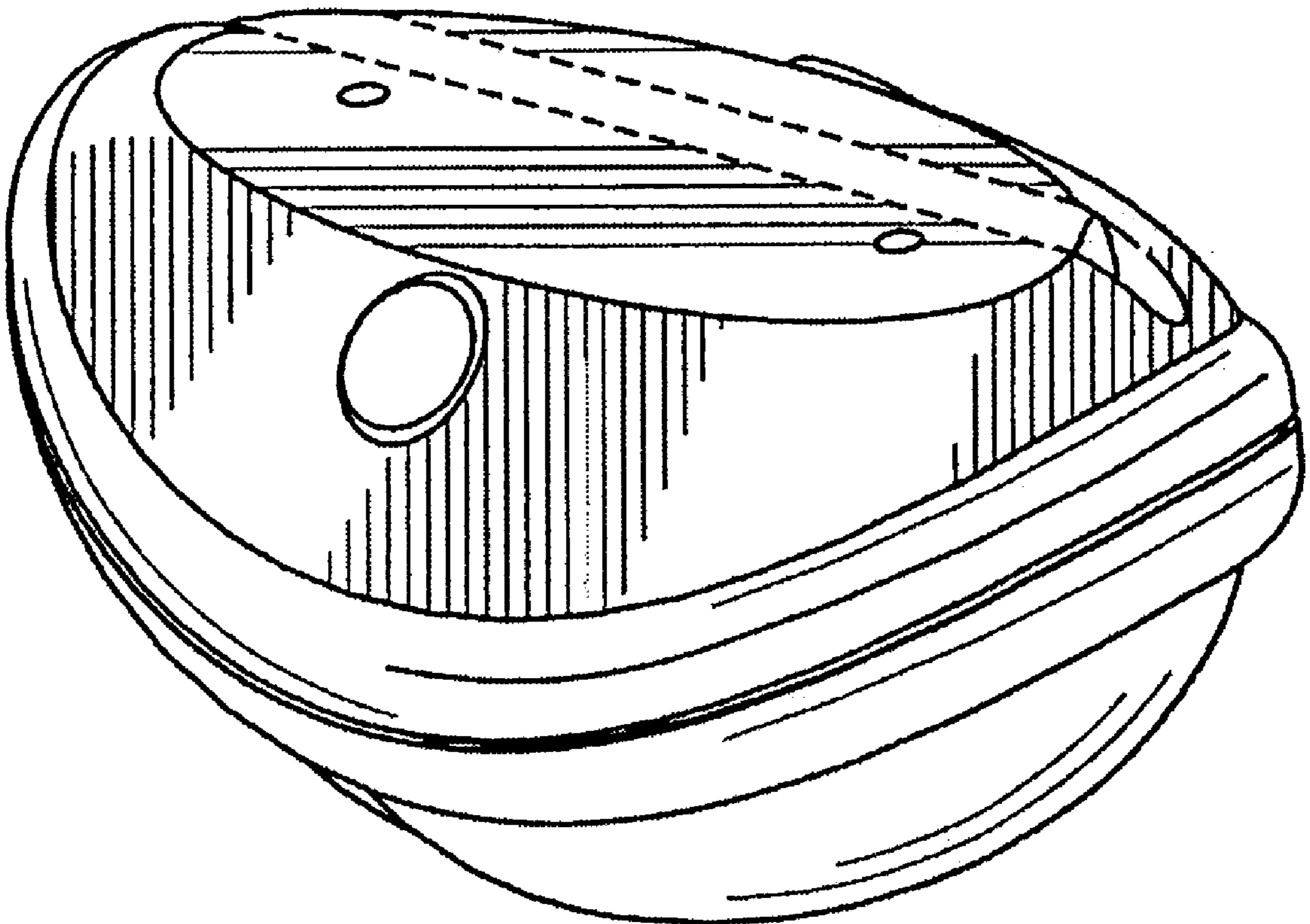


Figure 2

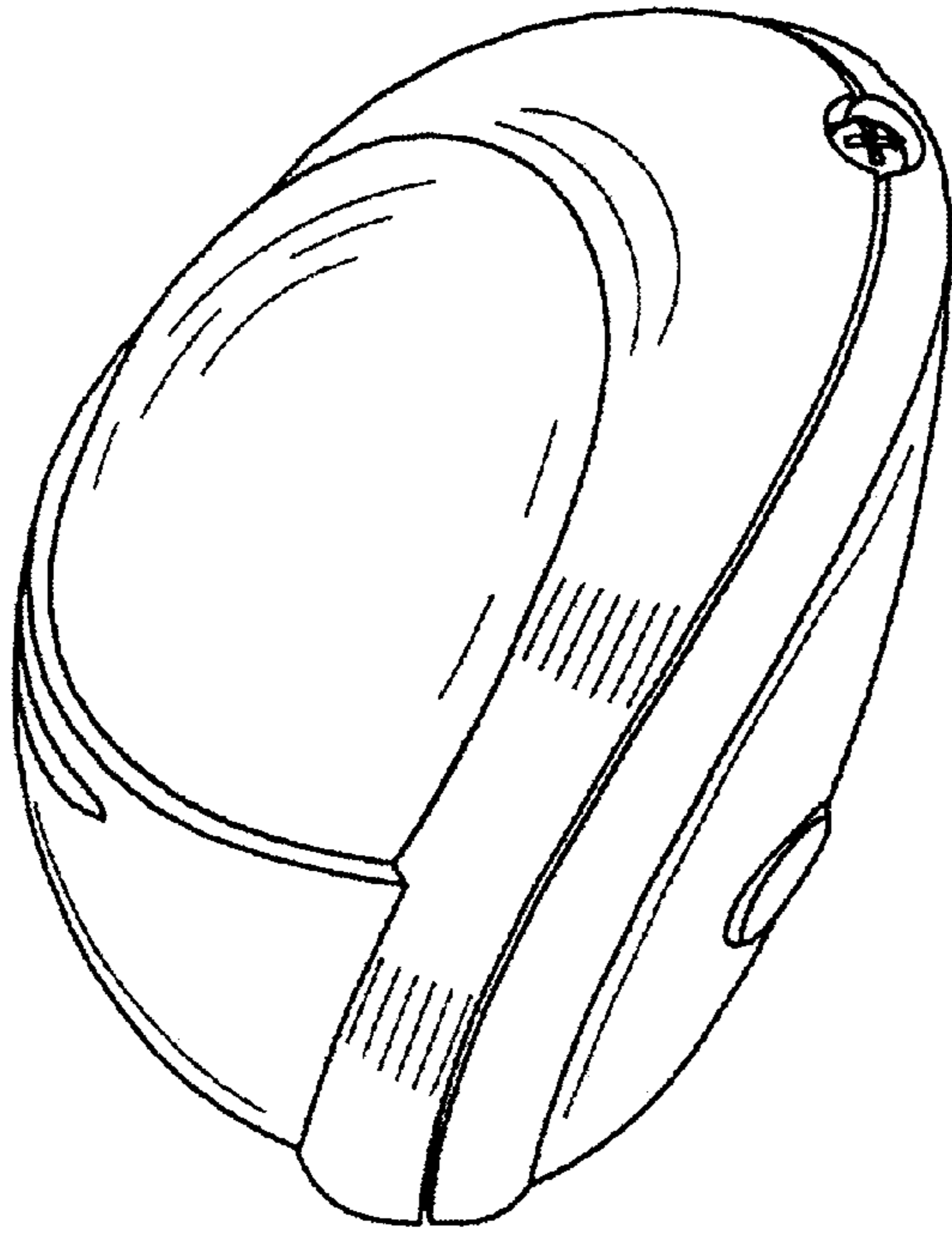


Figure 1

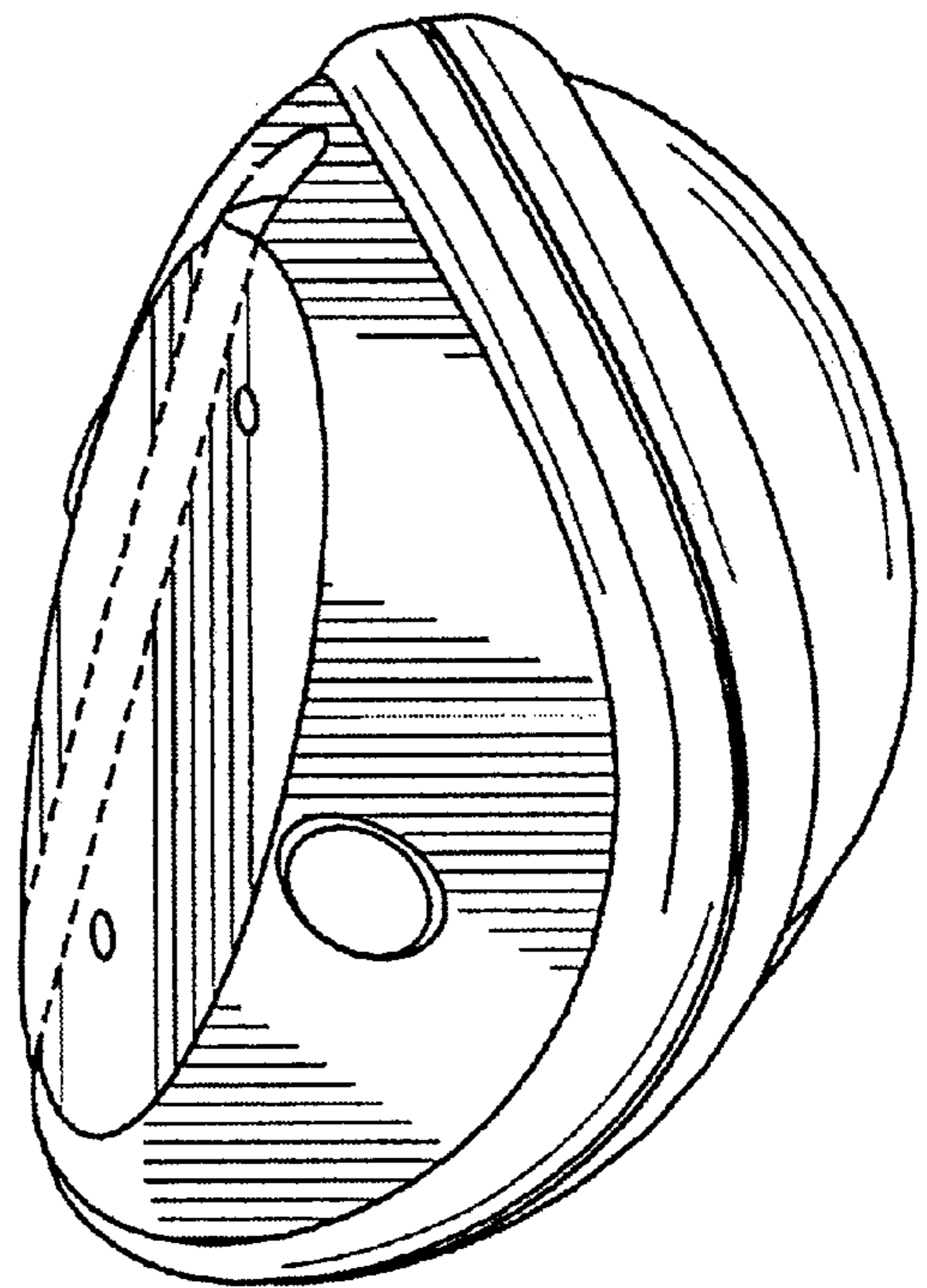


Figure 3

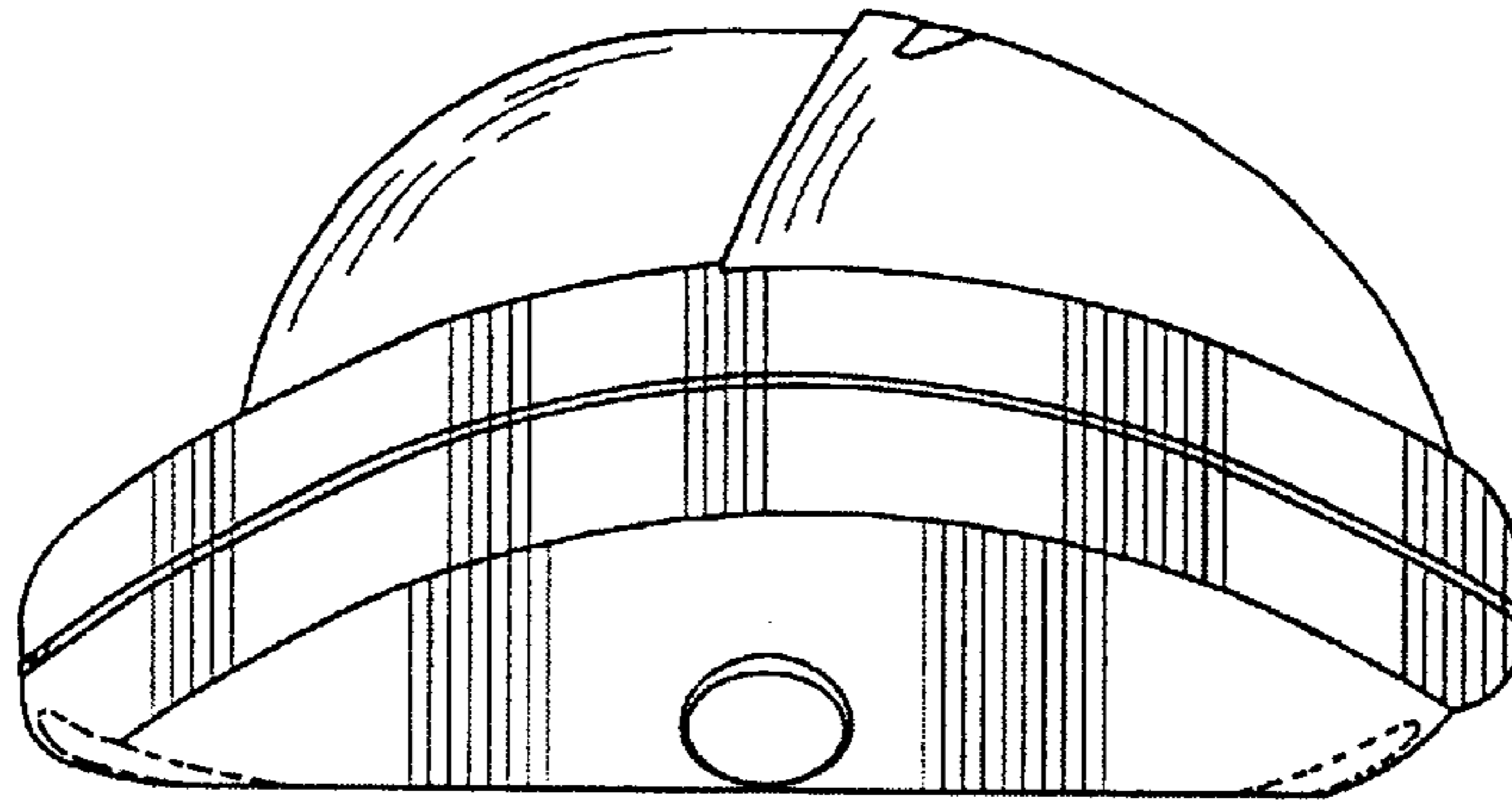


Figure 4

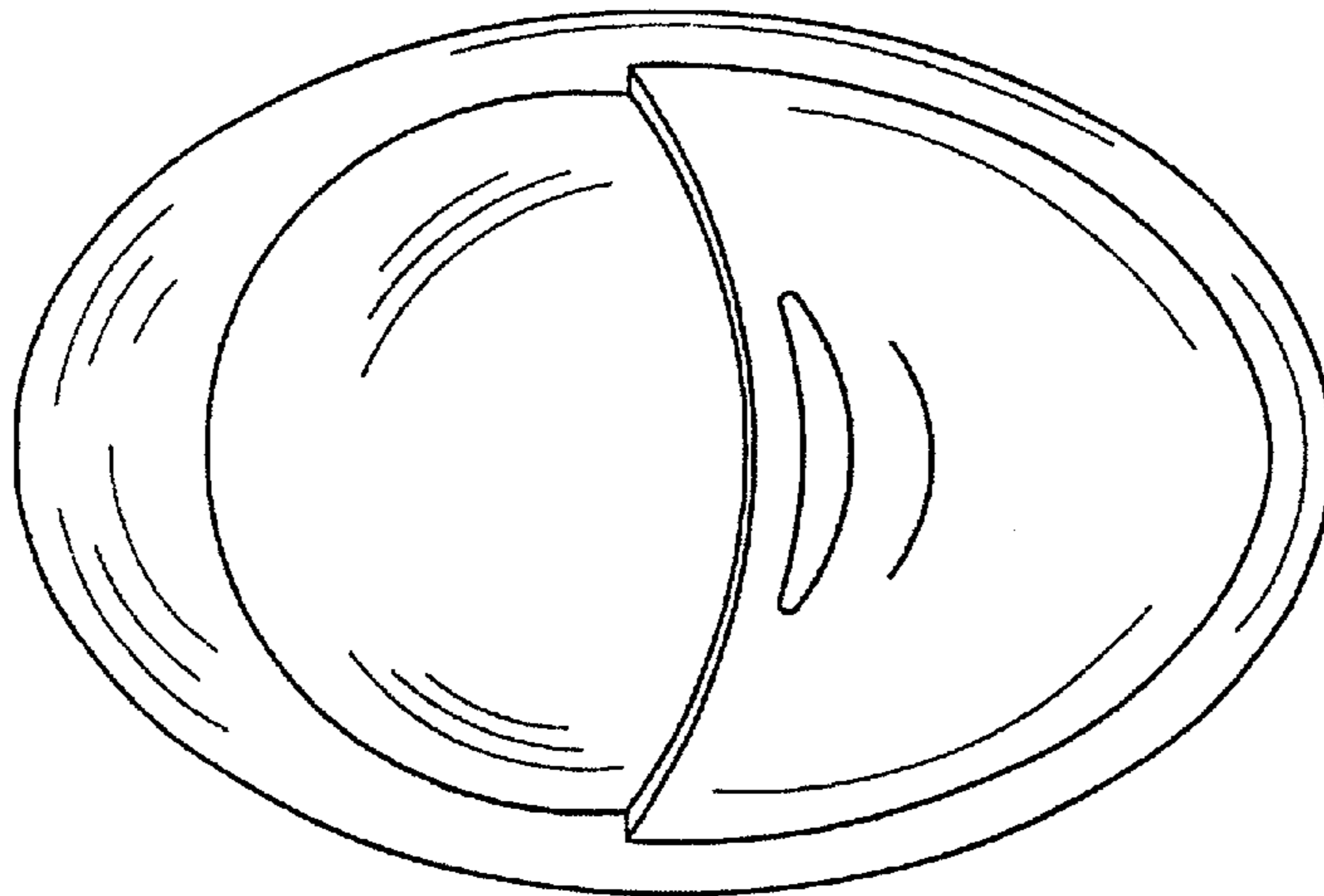


Figure 5

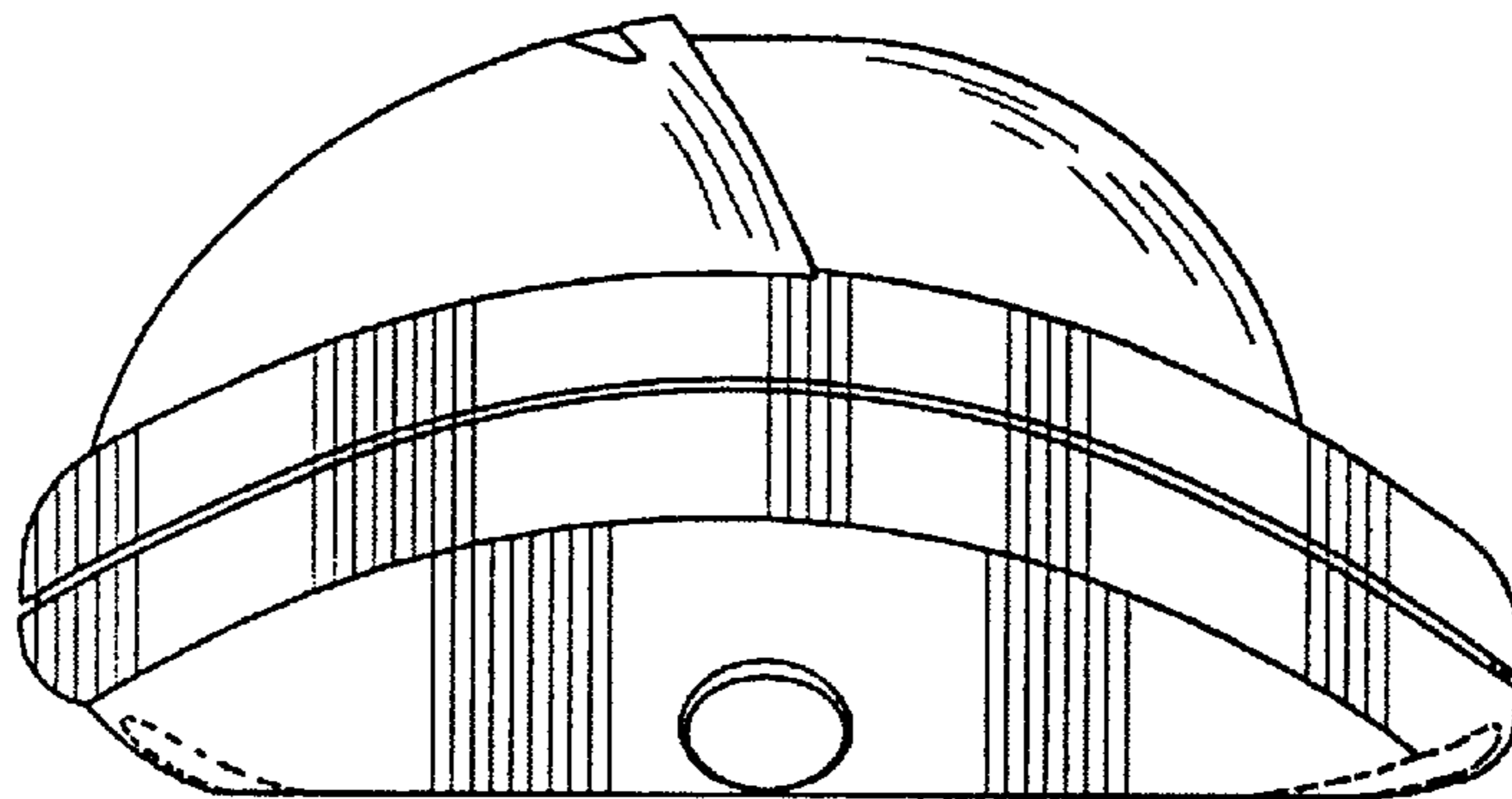


Figure 6

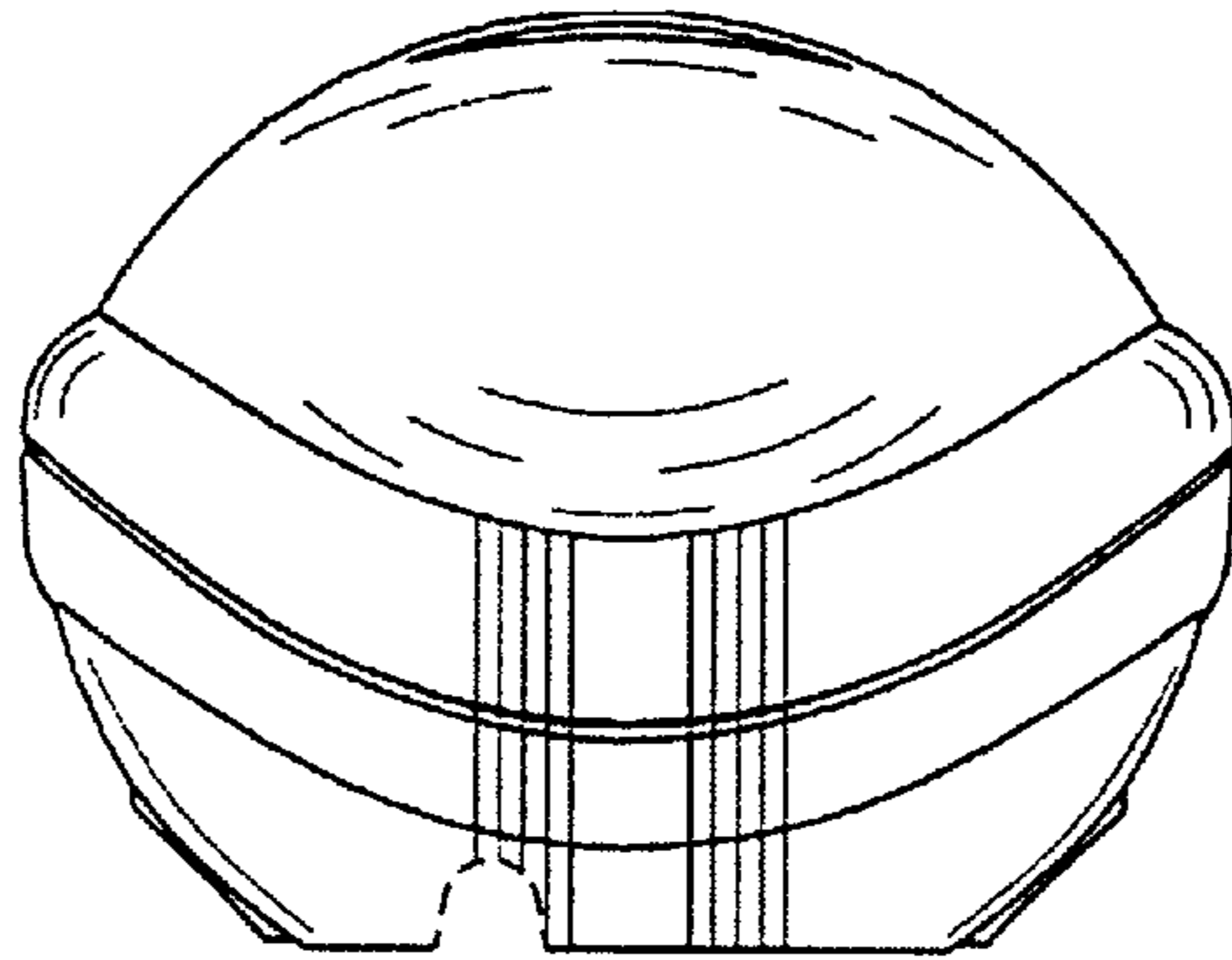


Figure 7

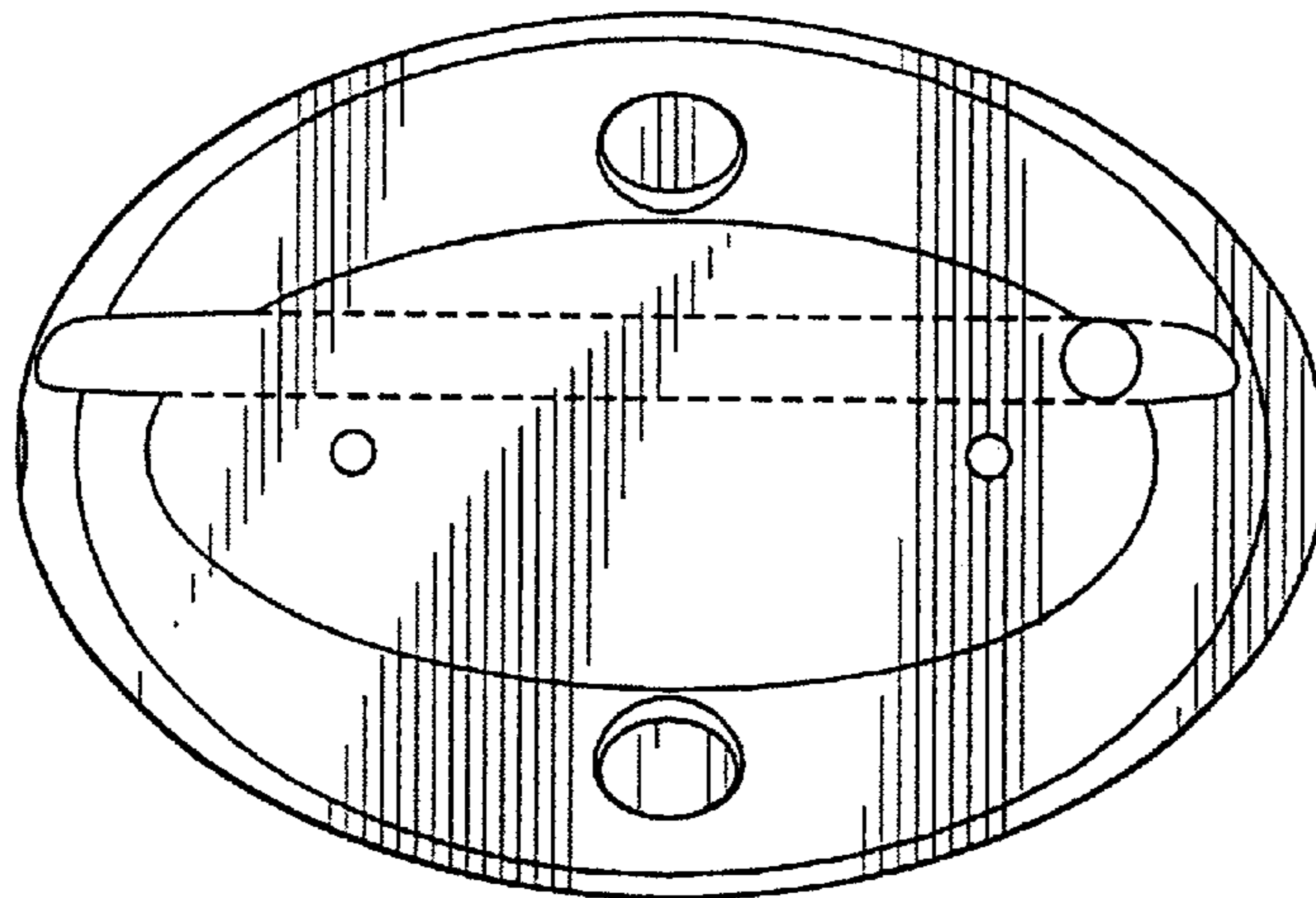


Figure 8

