



US00D445707S

(12) **United States Design Patent**
Zakhakyan

(10) **Patent No.:** **US D445,707 S**

(45) **Date of Patent:** **** Jul. 31, 2001**

(54) **COLLAR-MOUNTED BEEPER ASSEMBLY**

(75) **Inventor:** **Kagum G. Zakhakyan, Tucson, AZ (US)**

(73) **Assignee:** **Tri-Tronics Incorporated, Tucson, AZ (US)**

(**) **Term:** **14 Years**

(21) **Appl. No.:** **29/135,853**

(22) **Filed:** **Jan. 19, 2001**

(51) **LOC (7) Cl.** **10-05**

(52) **U.S. Cl.** **D10/104**

(58) **Field of Search** D10/104, 106,
D10/116, 121; 340/345, 348, 349, 351,
354, 370, 571, 572, 573; D14/155

(56) **References Cited**

U.S. PATENT DOCUMENTS

D. 406,073	*	2/1999	Clemons	D10/104
D. 423,389	*	4/2000	Boyd	D10/104
D. 424,464	*	5/2000	Stephens	D10/104
D. 440,170	*	4/2001	Conerly	D10/104

OTHER PUBLICATIONS

“Tri-tronics Upland Special Owners Manual”, 1998.
“D T Systems Advertising Leaflet” prior to Jan. 22, 2001.
“Tri-tronics Model BC 12 Owners Manual”, 1993.

* cited by examiner

Primary Examiner—Marcus A. Jackson

(74) *Attorney, Agent, or Firm*—Cahill, Sutton & Thomas P.L.C.

(57) **CLAIM**

The ornamental design for a collar-mounted beeper assembly, as shown and described.

DESCRIPTION

FIG. 1 is a front perspective view of a collar-mounted beeper device showing my new design, with the strap broken away to indicate indeterminate length;

FIG. 2 is a front elevational view thereof;

FIG. 3 is a rear elevational view thereof;

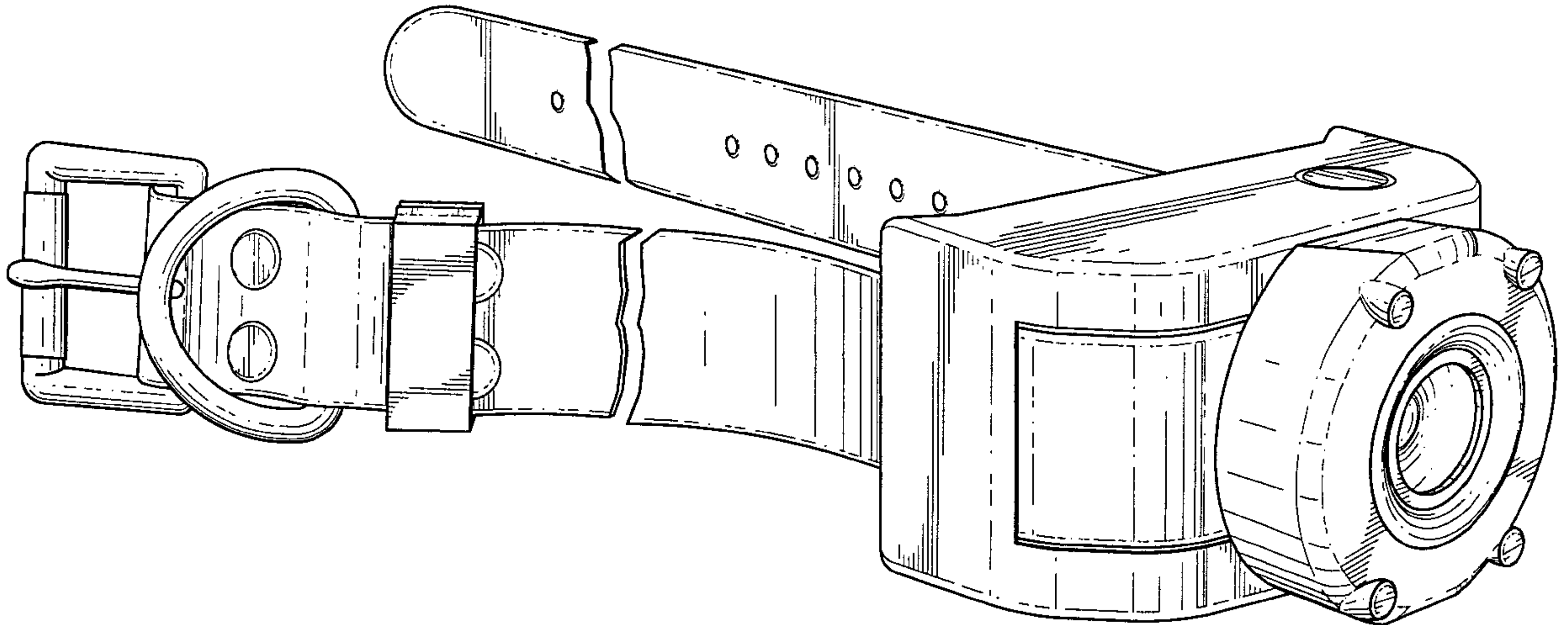
FIG. 4 is a top plan view thereof;

FIG. 5 is a bottom plan view thereof;

FIG. 6 is a right side elevational view thereof; and,

FIG. 7 is a left side elevational view thereof.

1 Claim, 4 Drawing Sheets



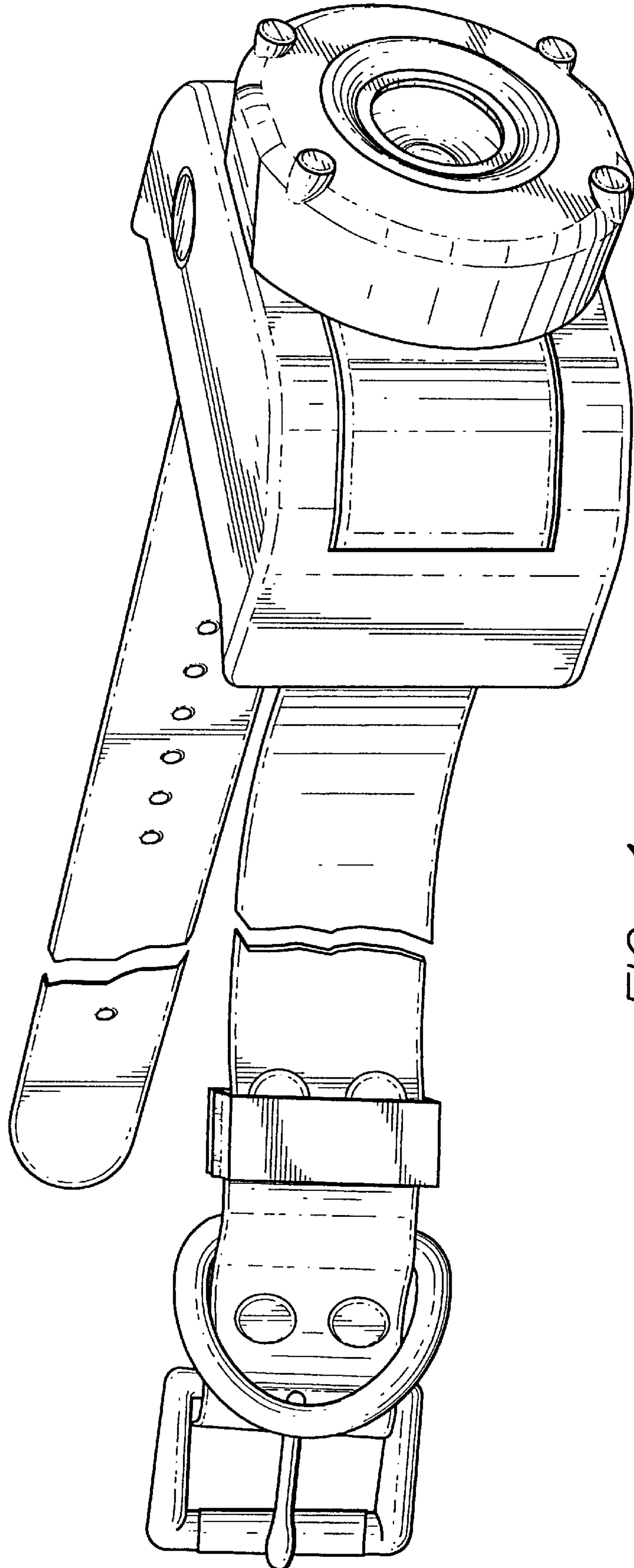


FIG. 1

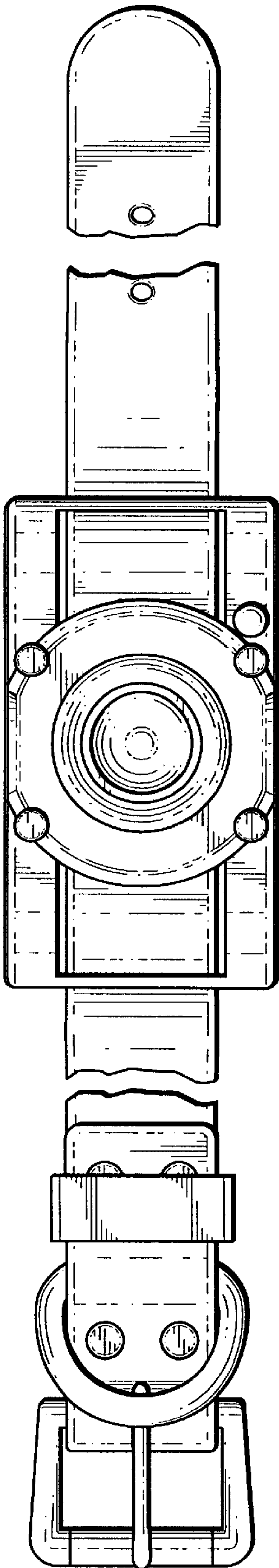


FIG. 2

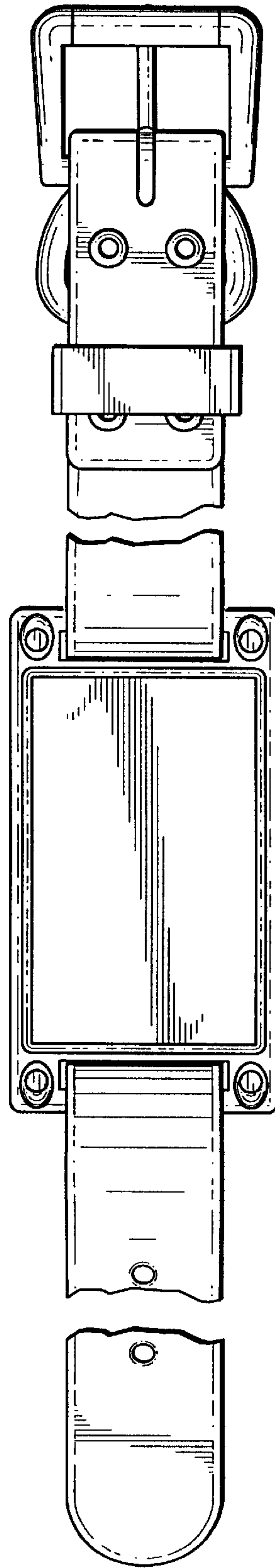
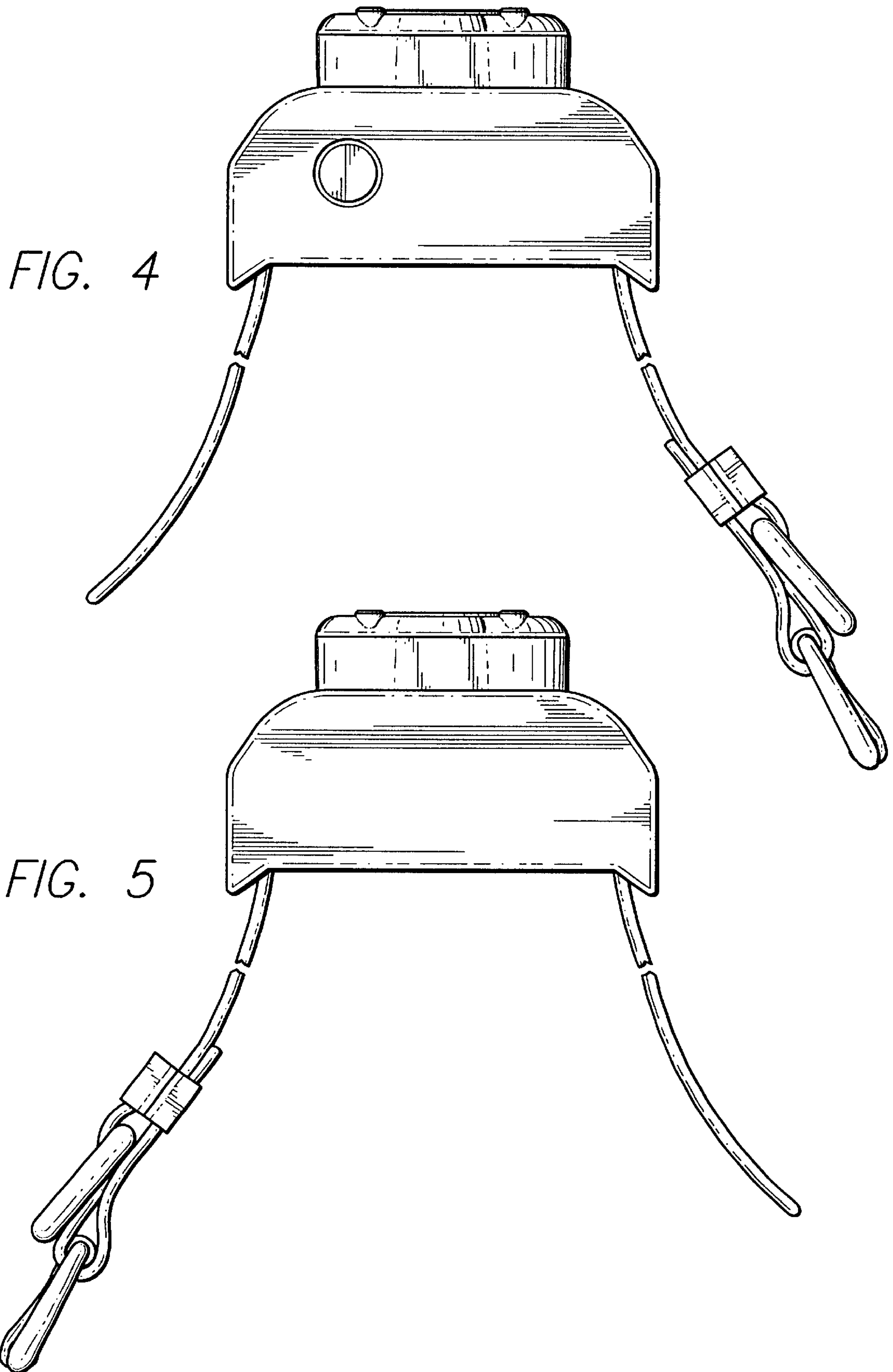


FIG. 3



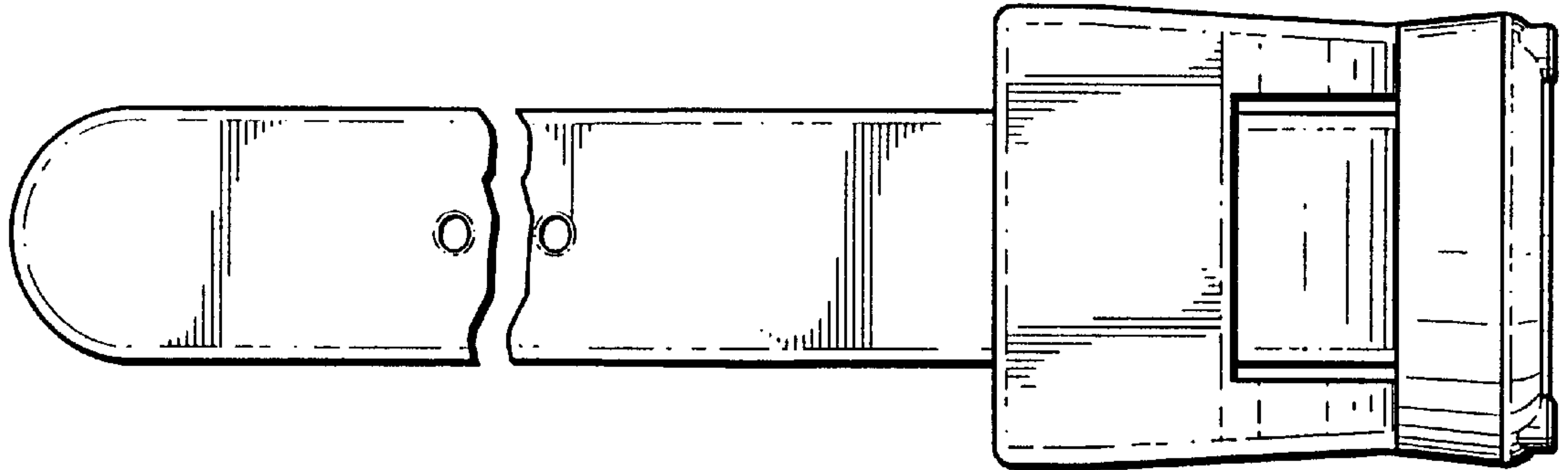


FIG. 6

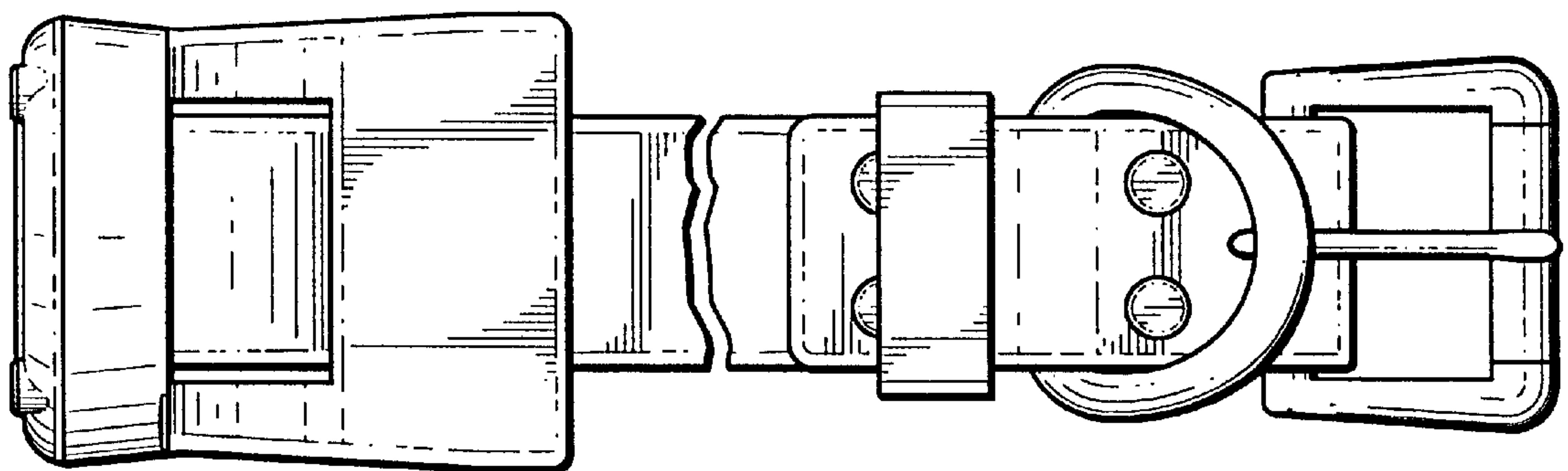


FIG. 7