



US00D445704S

(12) **United States Design Patent**
Suzuki

(10) **Patent No.:** **US D445,704 S**

(45) **Date of Patent:** **** Jul. 31, 2001**

(54) **FLUID PRESSURE CYLINDER**

6,101,921 * 8/2000 Granberg et al. 92/88
6,129,003 * 10/2000 Udagawa 92/91

(75) Inventor: **Yasunaga Suzuki**, Saitama-ken (JP)

* cited by examiner

(73) Assignee: **SMC Kabushiki Kaisha**, Tokyo (JP)

Primary Examiner—Antoine Duval Davis
(74) *Attorney, Agent, or Firm*—Frishauf, Holtz, Goodman,
Langer & Chick, P.C.

(**) Term: **14 Years**

(21) Appl. No.: **29/128,304**

(57) **CLAIM**

(22) Filed: **Aug. 22, 2000**

The ornamental design for a fluid pressure cylinder, as shown and described.

(30) **Foreign Application Priority Data**

DESCRIPTION

Mar. 1, 2000 (JP) 12-004315

(51) **LOC (7) Cl.** **10-04**

(52) **U.S. Cl.** **D10/85**

(58) **Field of Search** D10/85; D15/7;
92/5 L, 15-17, 21 MR, 28, 88, 137, 143,
177, 128, 165 PR, 168, 51, 52, 169; 91/394,
395, 407, 408

FIG. 1 is a top, front and right-side perspective view of a fluid pressure cylinder showing my new design;
FIG. 2 is a front view thereof;
FIG. 3 is a rear view thereof;
FIG. 4 is a top plan view thereof;
FIG. 5 is a bottom plan view thereof; and,
FIG. 6 is a right side view thereof, the left side view being a mirror image of the right side view.

(56) **References Cited**

U.S. PATENT DOCUMENTS

D. 371,085 * 6/1996 Ito D10/85

1 Claim, 4 Drawing Sheets

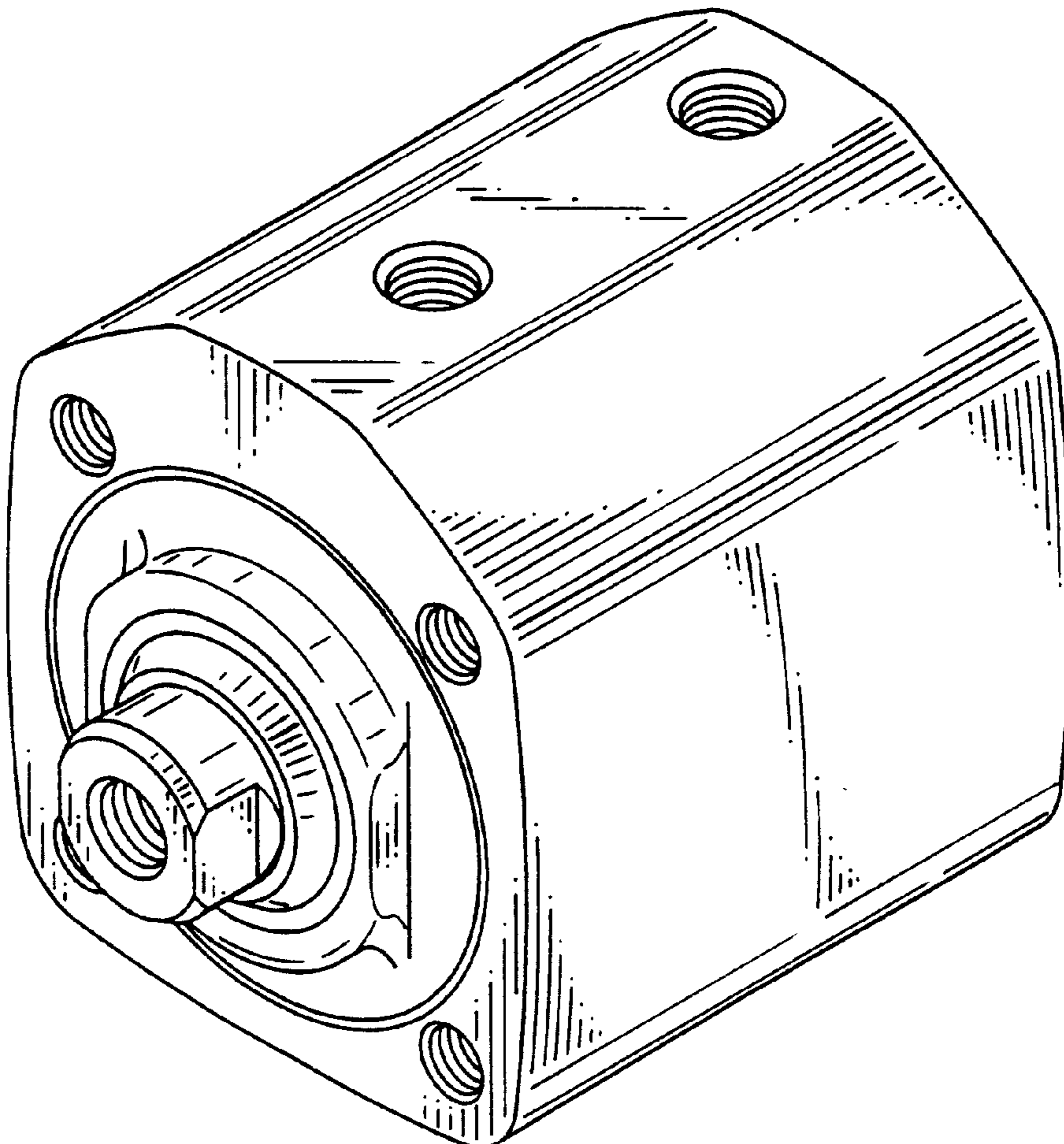


FIG. 1

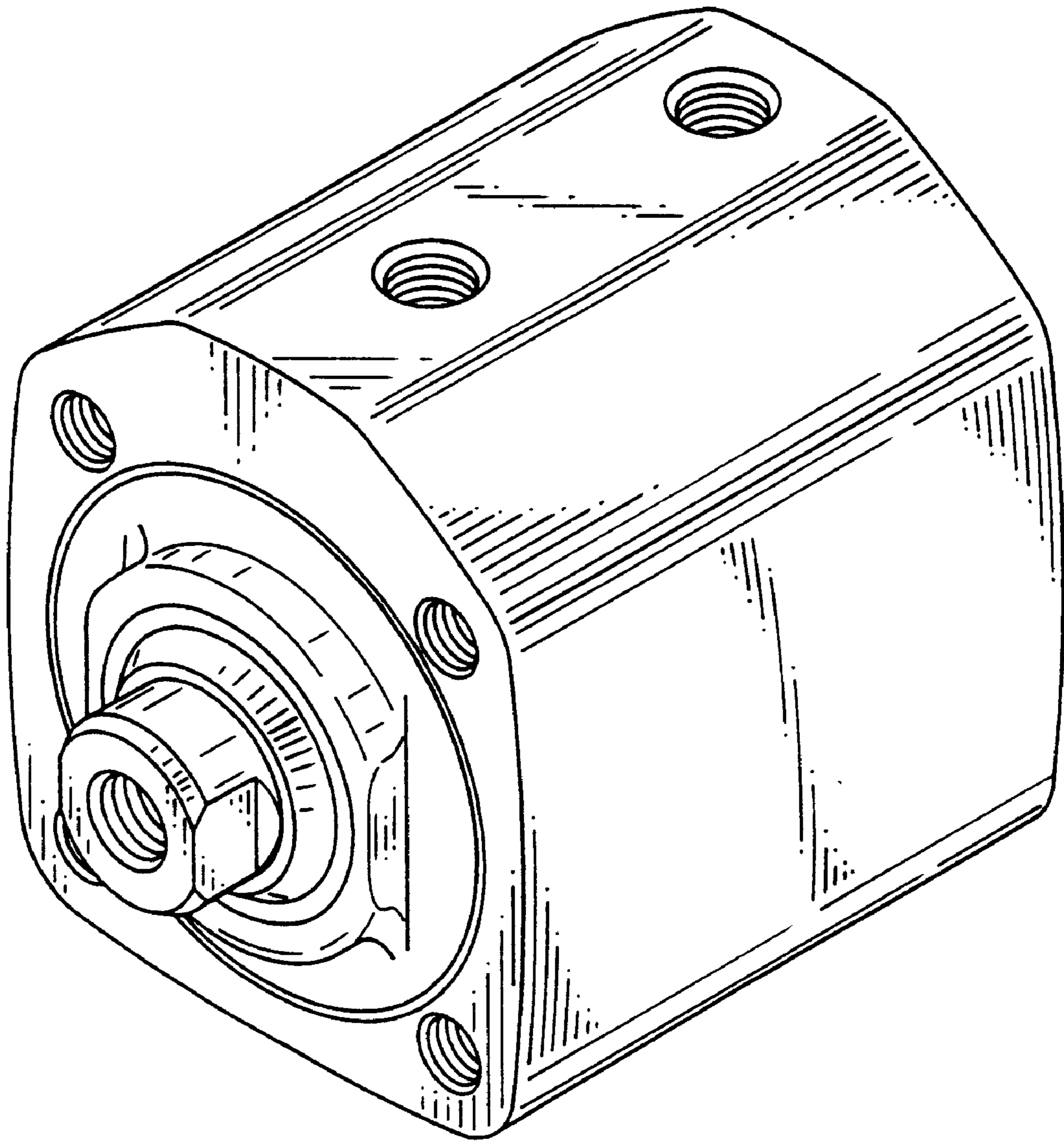


FIG. 2

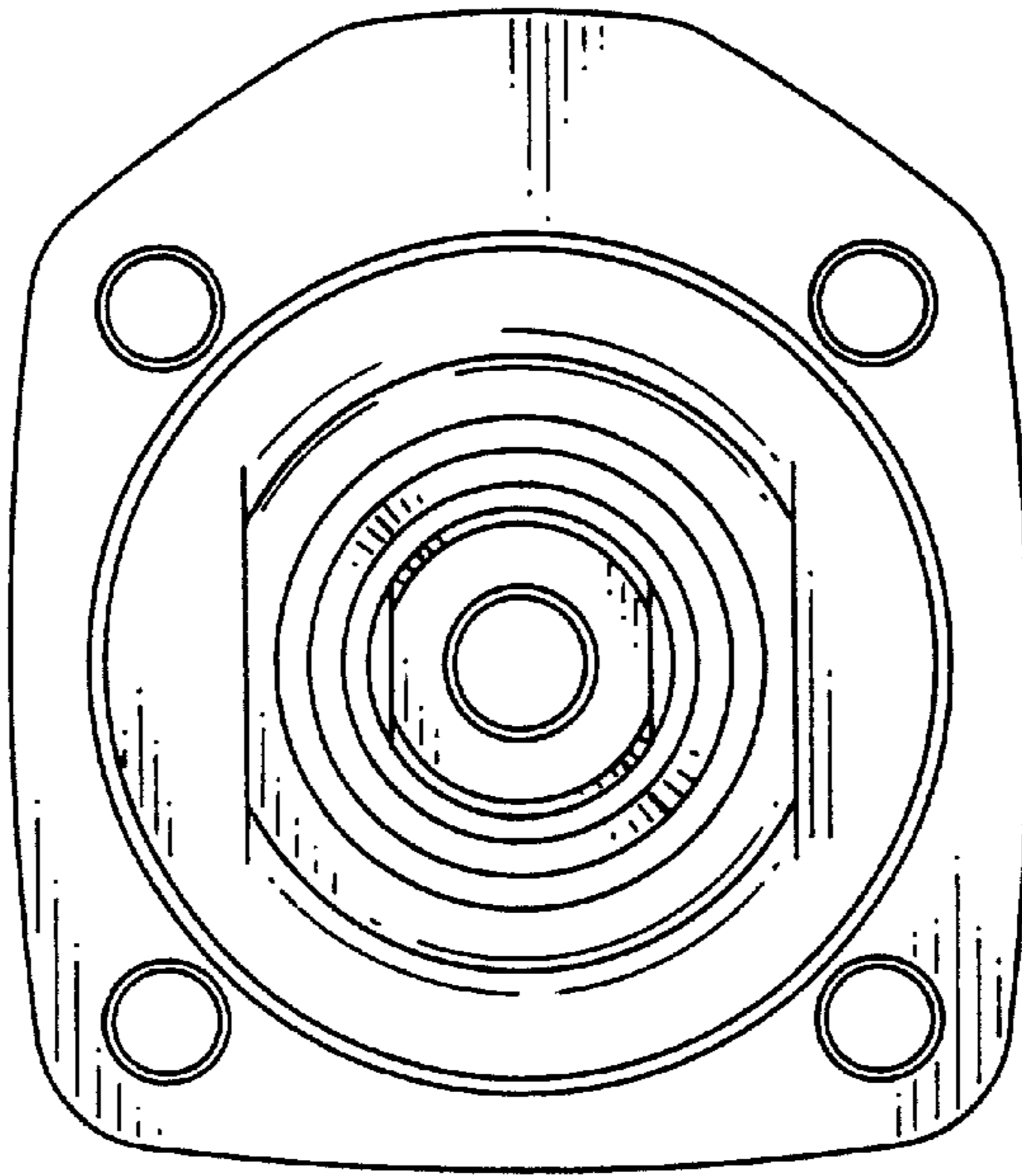


FIG. 3

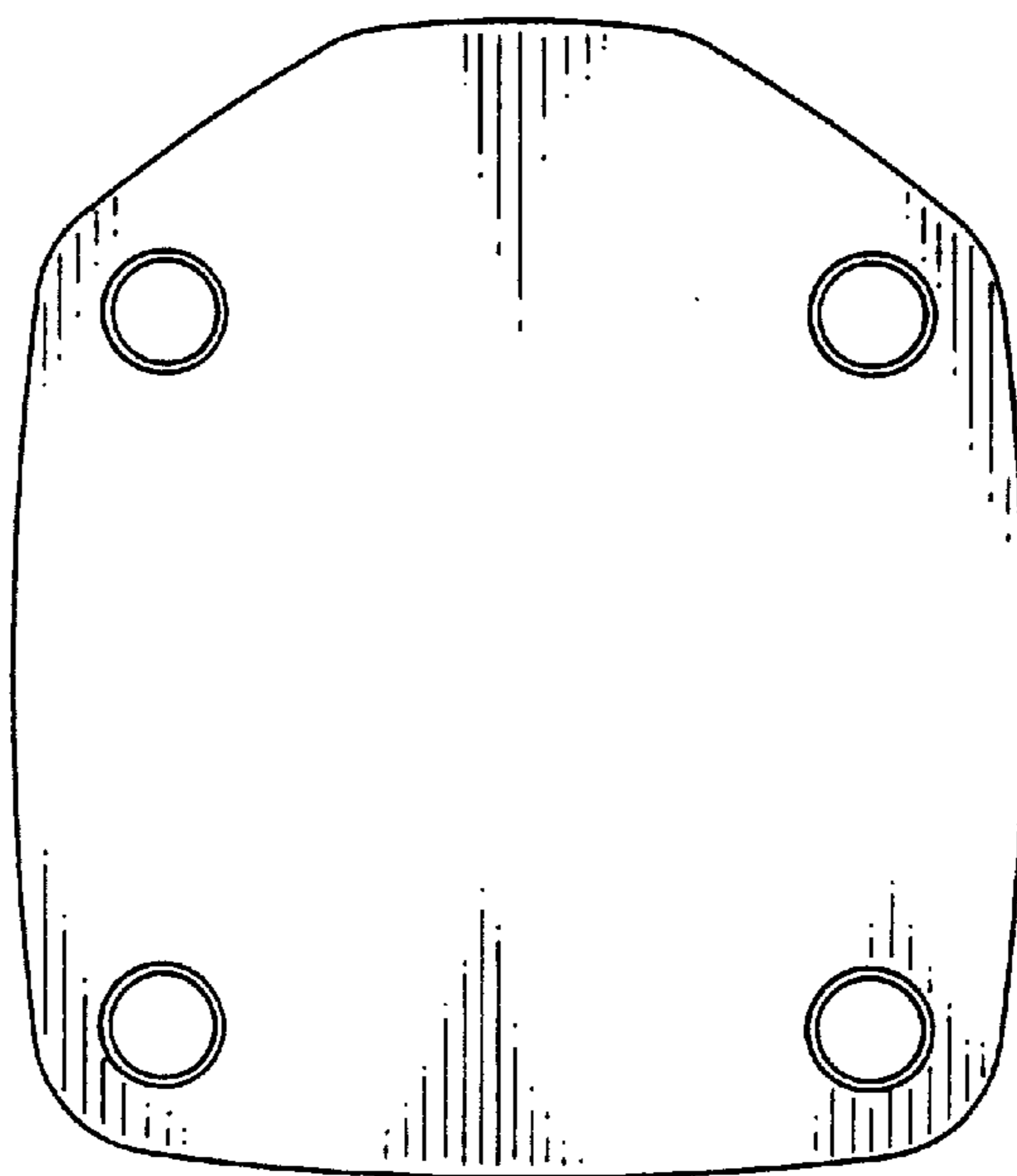


FIG. 4

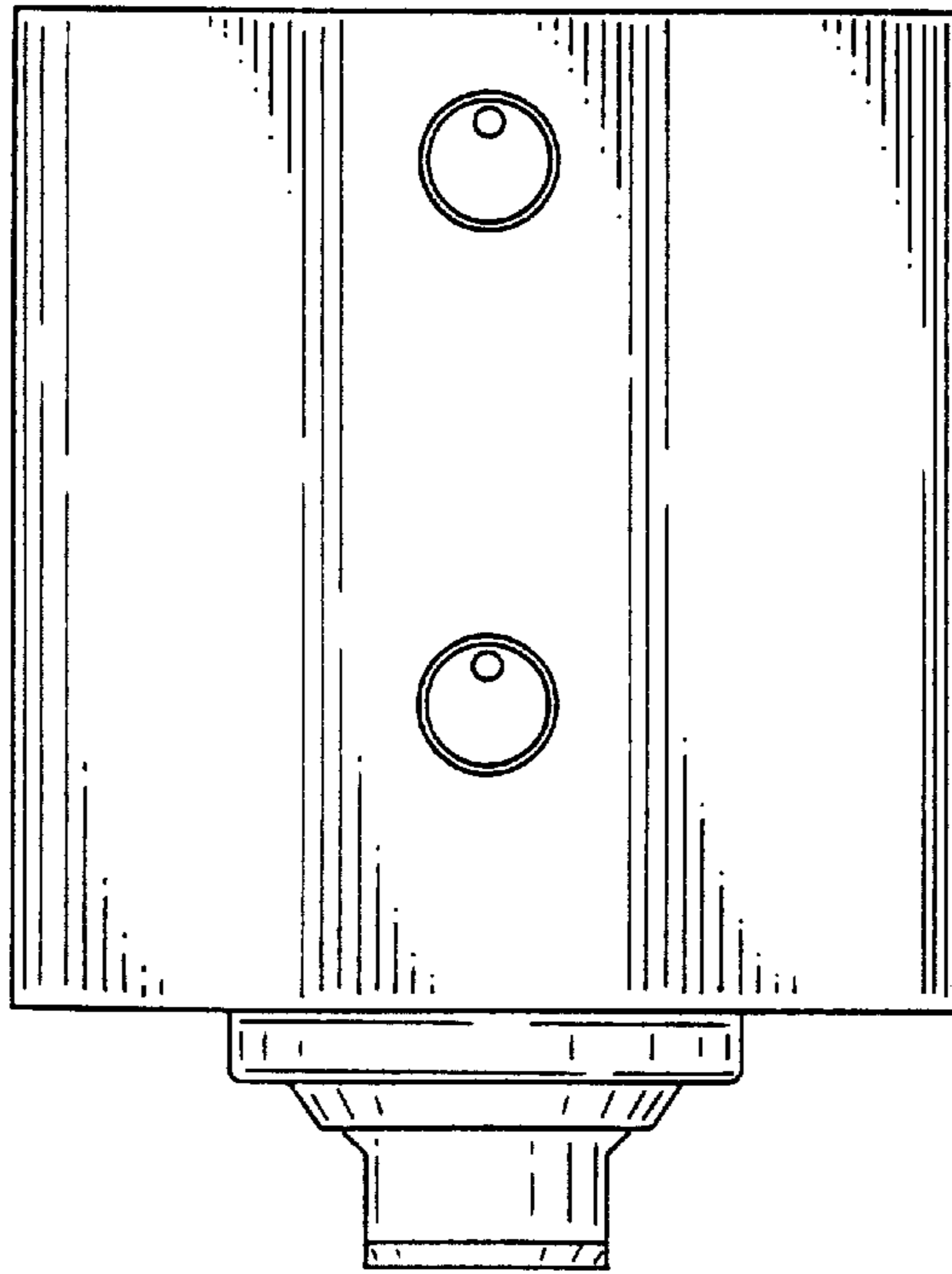


FIG. 5

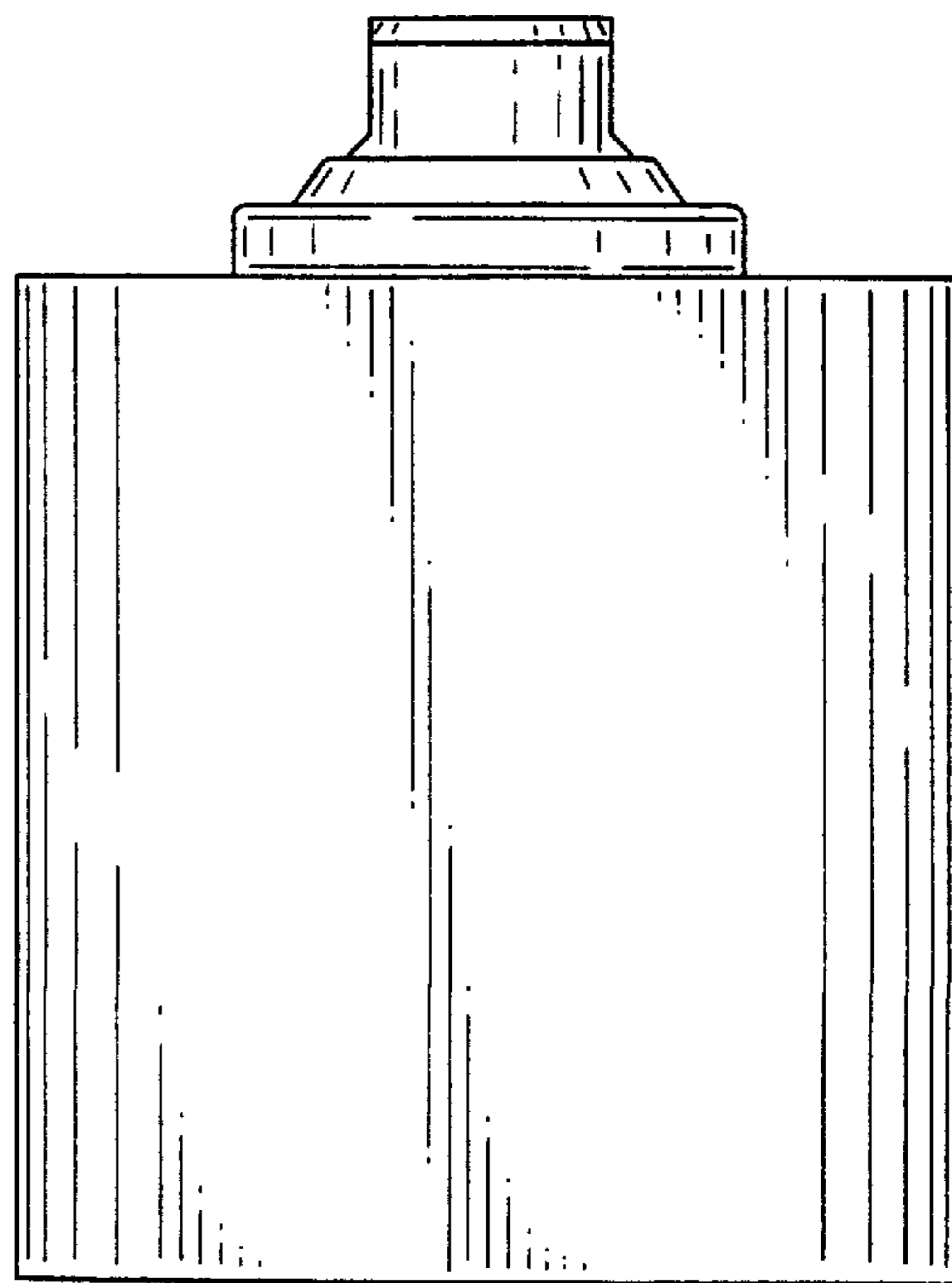


FIG. 6

