



US00D445701S

(12) **United States Design Patent**
Hutchings

(10) **Patent No.:** **US D445,701 S**

(45) **Date of Patent:** **** Jul. 31, 2001**

(54) **CHALK BOX**

(76) Inventor: **Bob Hutchings**, 806 Singing Drum Dr., Henderson, NV (US) 89015

(**) Term: **14 Years**

(21) Appl. No.: **29/127,495**

(22) Filed: **Aug. 8, 2000**

(51) **LOC (7) Cl.** **10-04**

(52) **U.S. Cl.** **D10/65**

(58) **Field of Search** D10/65; 33/414,
33/756; 242/388.8, 390.8, 394, 395.1

(56) **References Cited**

U.S. PATENT DOCUMENTS

D. 334,717	*	4/1993	Evans, Jr. et al.	D10/65
2,589,500	*	3/1952	Landon et al.	33/414
2,749,618	*	6/1956	Landon	33/414
4,565,011	*	1/1986	Karger	33/414
5,212,857	*	5/1993	Corso	33/414

* cited by examiner

Primary Examiner—Antoine Duval Davis
(74) *Attorney, Agent, or Firm*—Philip J. Anderson; Anderson & Morishita

(57) **CLAIM**

The ornamental design for a chalk box, as shown and described.

DESCRIPTION

FIG. 1 is a top, side, end view of the chalk box according to the present invention with the chalk lines which form no part of the design shown in phantom;

FIG. 2 is a right side view of the chalk box;

FIG. 3 is a top view of the chalk box;

FIG. 4 is a left side view of the chalk box;

FIG. 5 is a bottom view of the chalk box;

FIG. 6 is a rear view of the chalk box; and,

FIG. 7 is a front view of the chalk box.

1 Claim, 4 Drawing Sheets

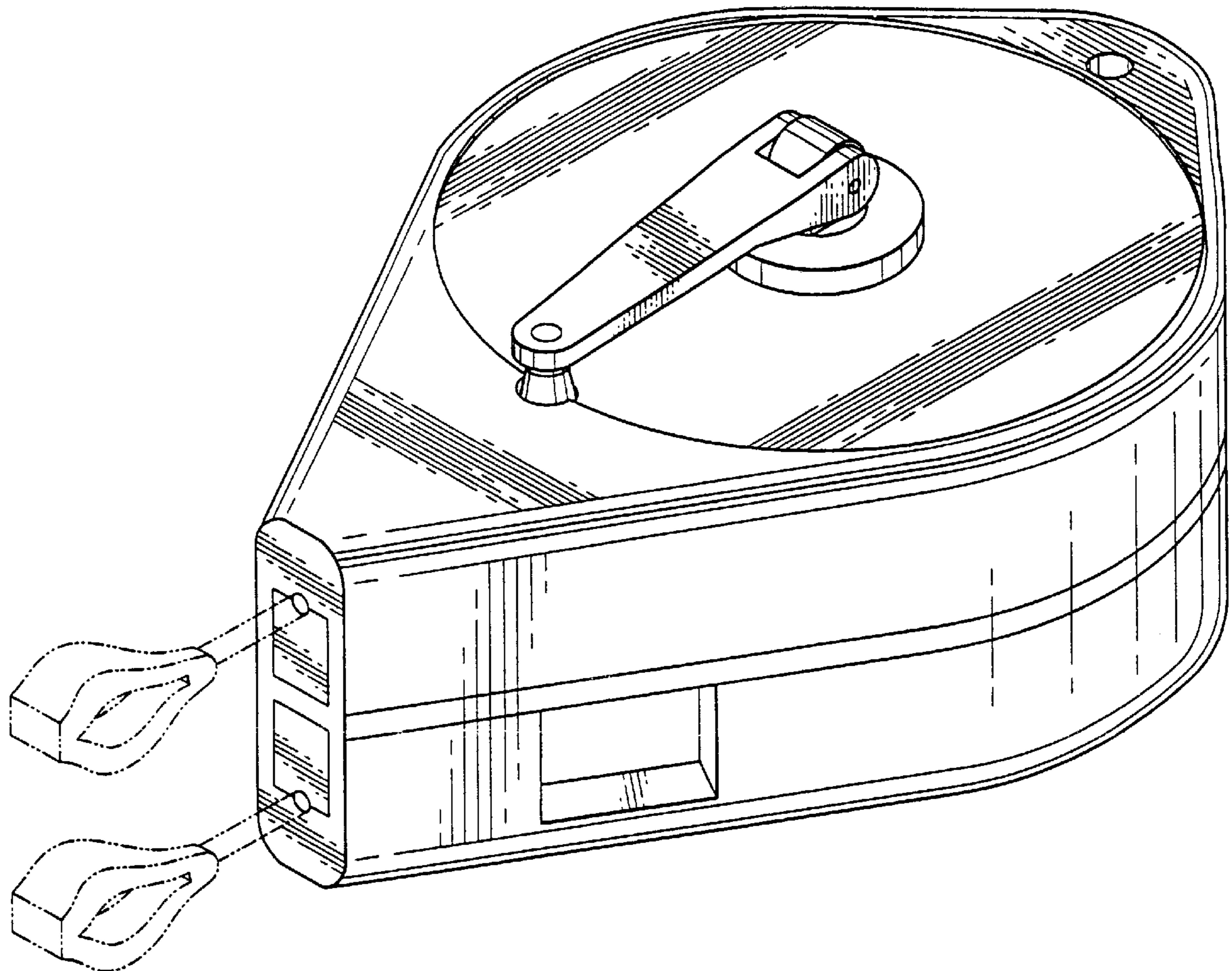


FIG. 1

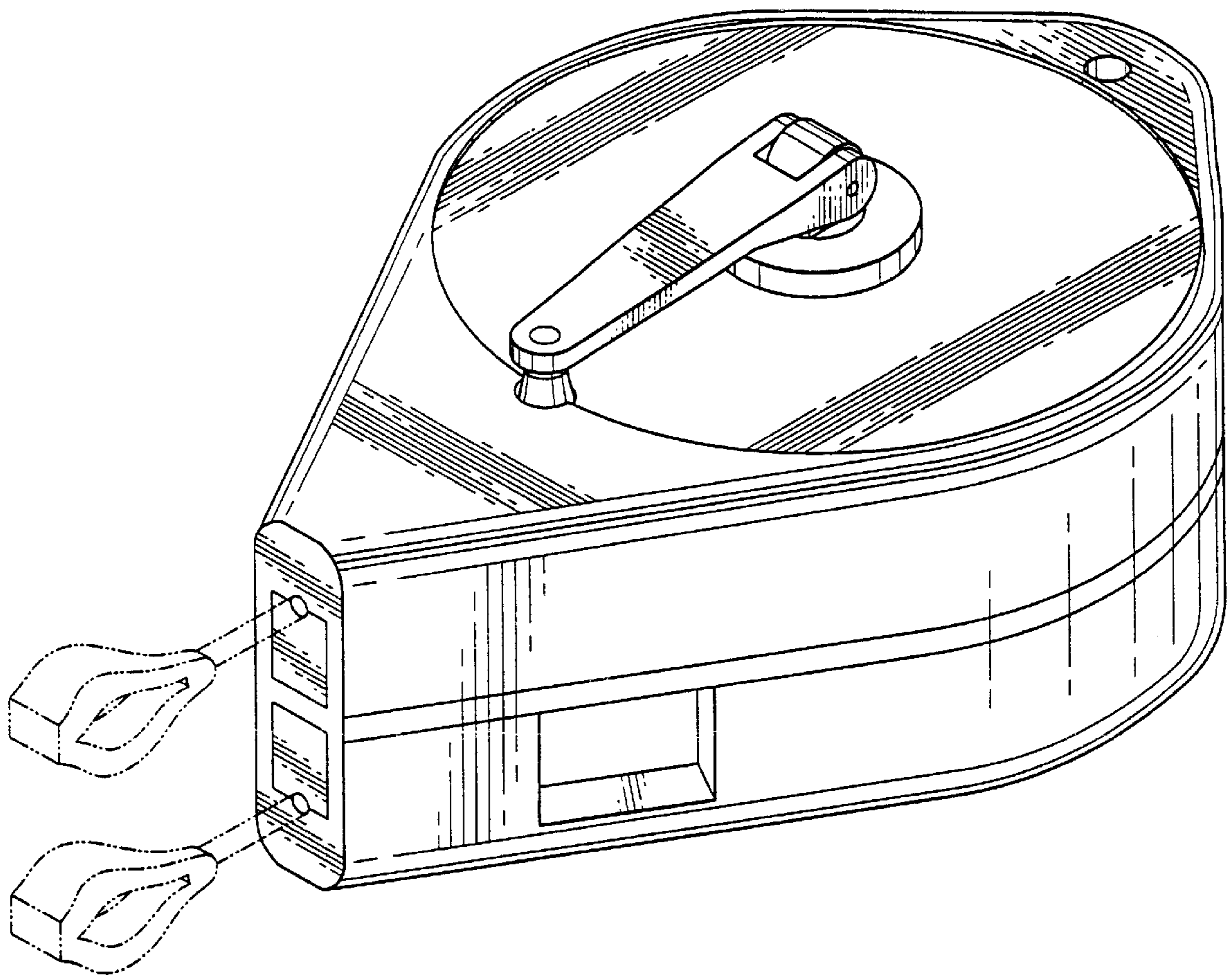


FIG. 3

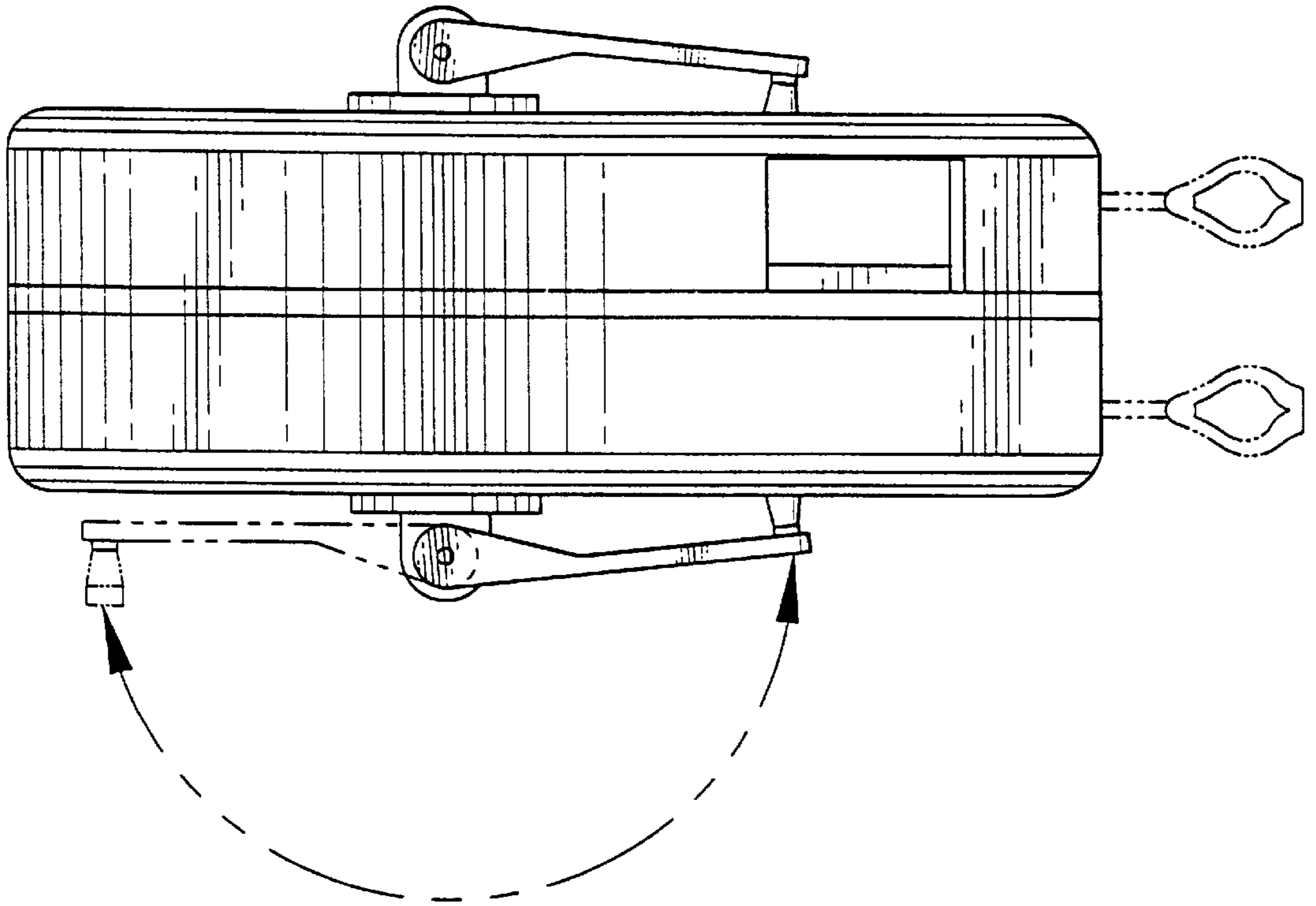


FIG. 2

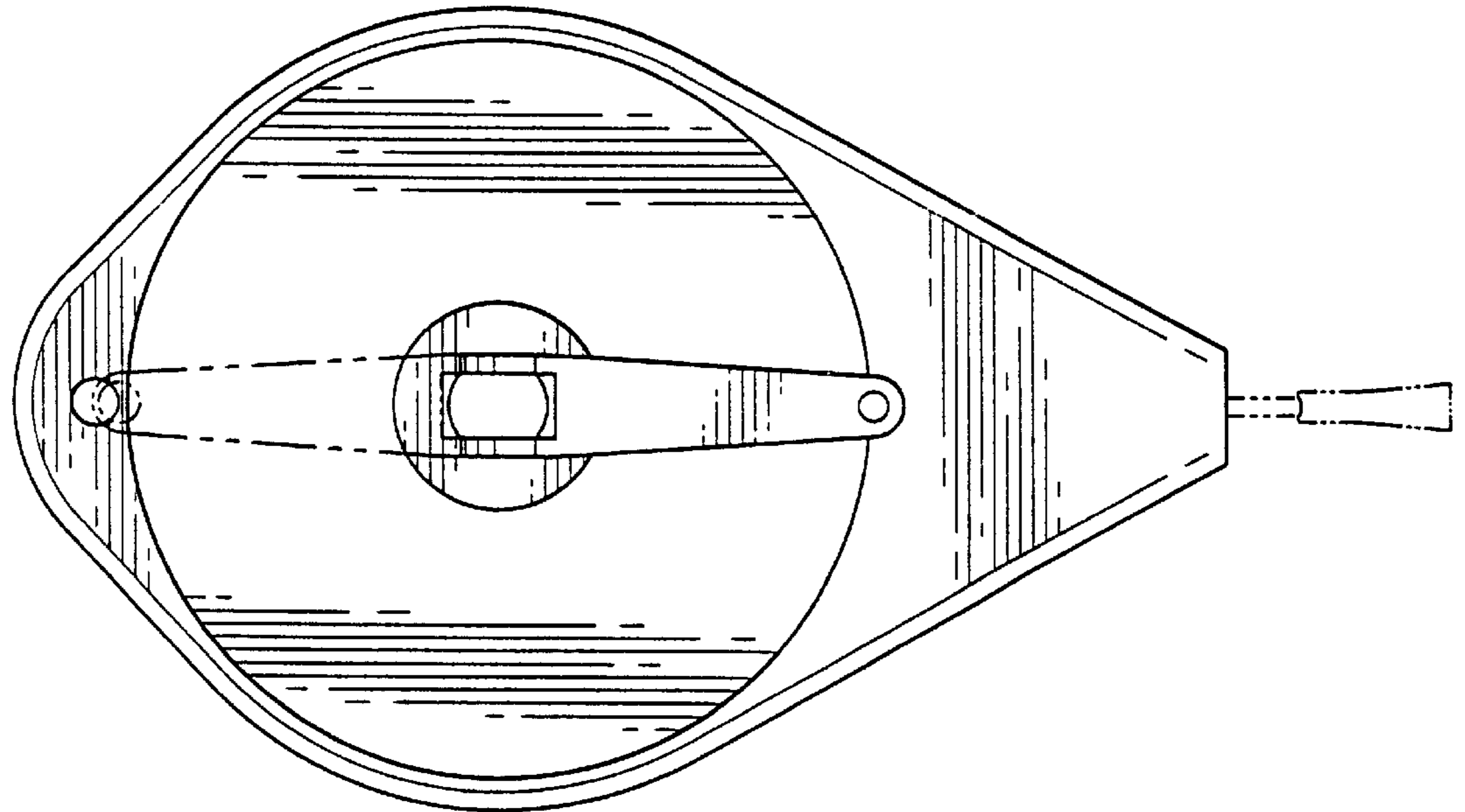


FIG. 5

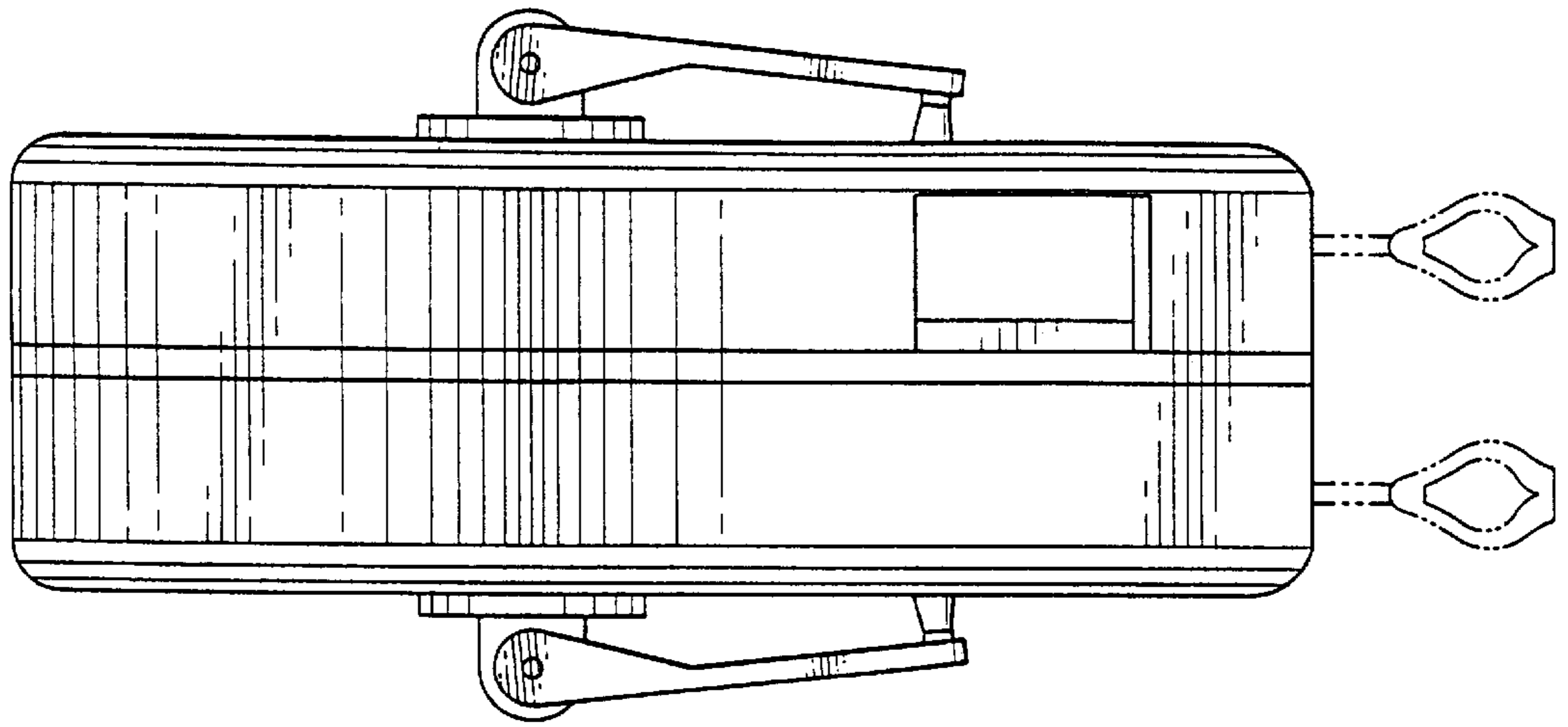


FIG. 4

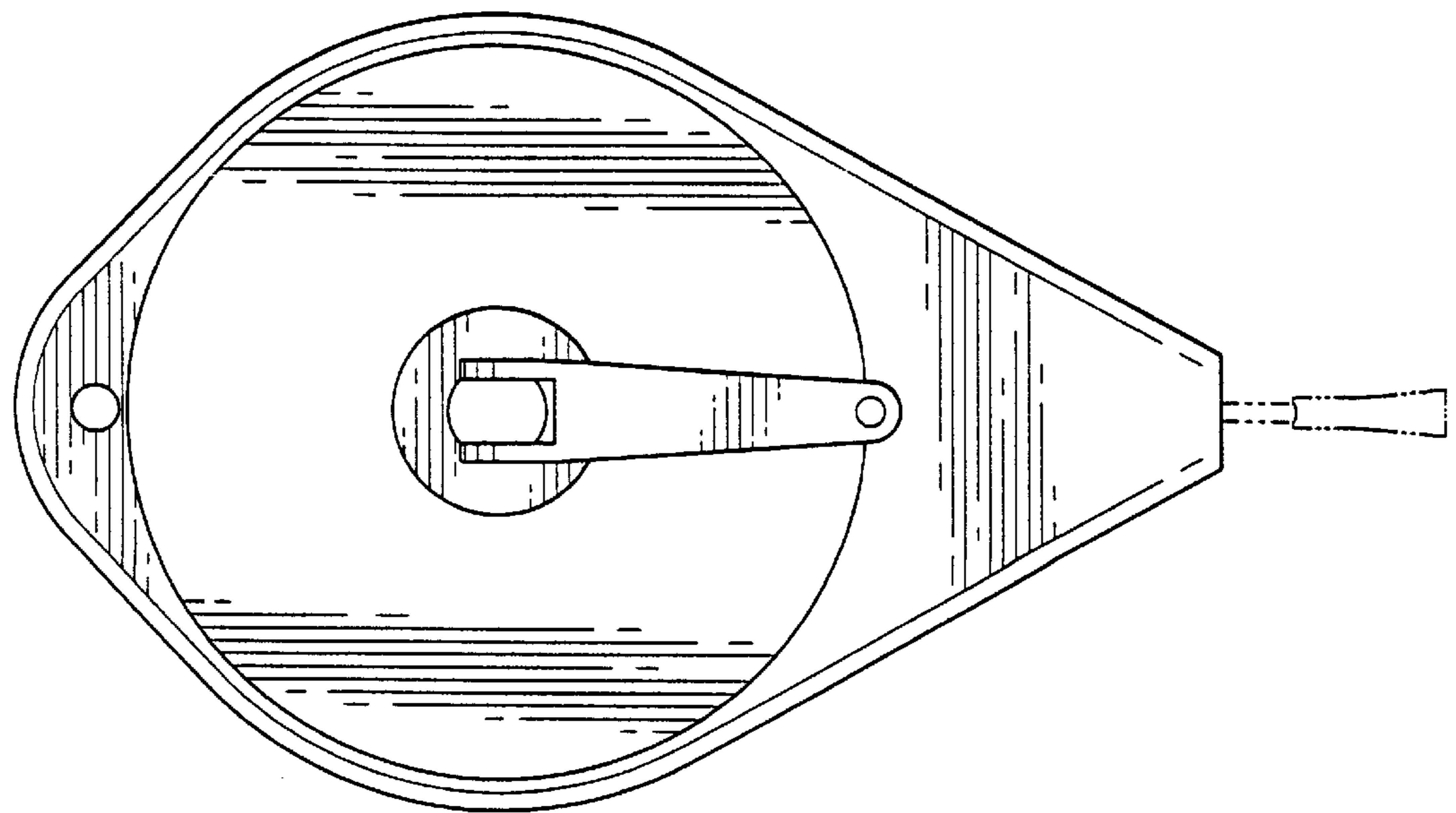


FIG. 6

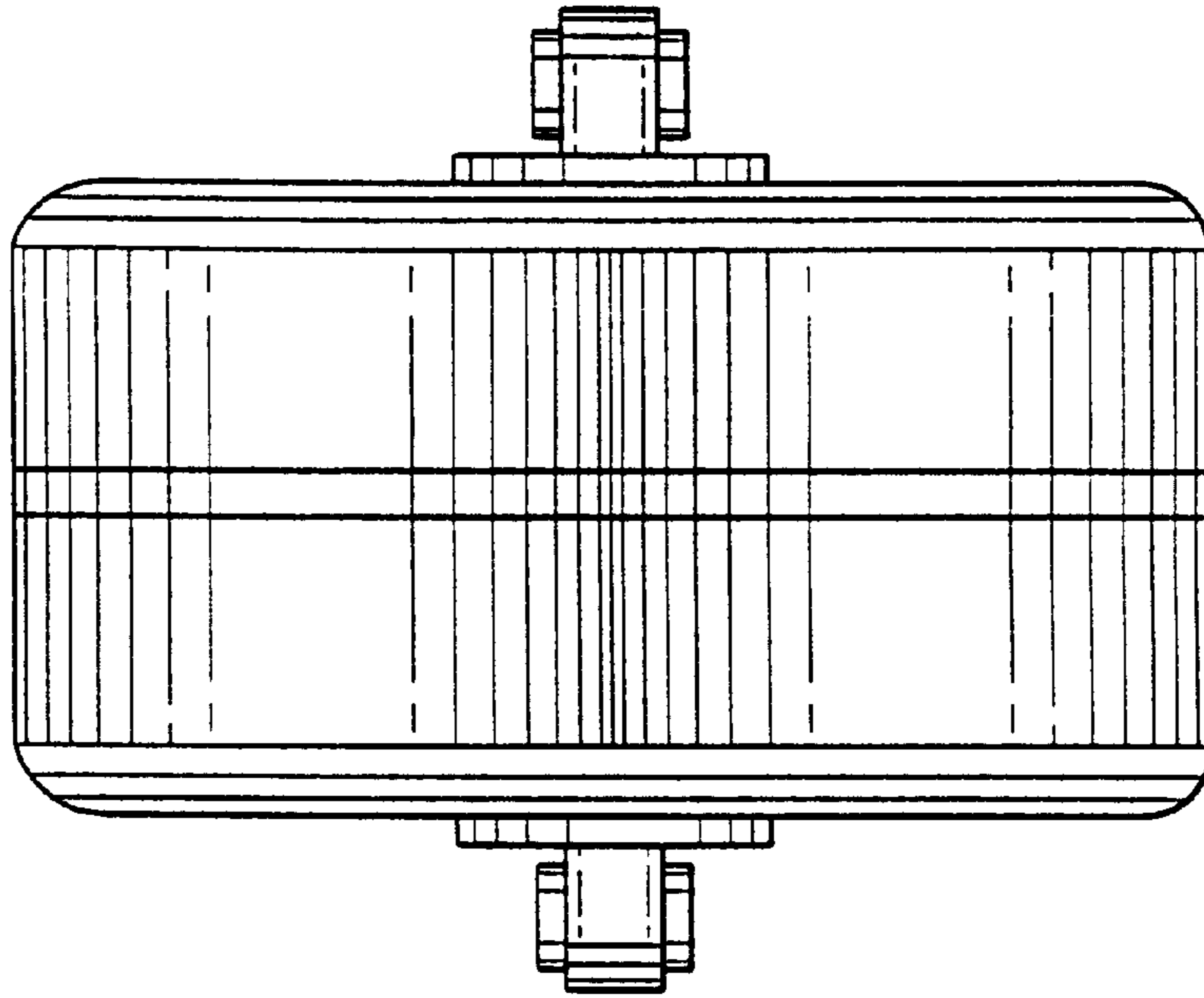


FIG. 7

