



US00D445700S

(12) **United States Design Patent**
Mapston

(10) **Patent No.:** **US D445,700 S**

(45) **Date of Patent:** **** Jul. 31, 2001**

(54) **TRIANGULARLY SHAPED SQUARING AND MARKING TOOL**

5,575,074 * 11/1996 Cottongim et al. 33/474

* cited by examiner

(76) **Inventor:** **Gray Mapston**, 25500 Highway 93,
Arlee, MT (US) 59821

Primary Examiner—Antoine Duval Davis
(74) *Attorney, Agent, or Firm*—Keith S. Bergman

(**) **Term:** **14 Years**

(57) **CLAIM**

(21) **Appl. No.:** **29/130,227**

The ornamental design for a triangularly shaped squaring and marking tool, as shown and described.

(22) **Filed:** **Sep. 29, 2000**

DESCRIPTION

(51) **LOC (7) Cl.** **10-04**

FIG. 1 is an isometric view of a first side of the triangularly shaped squaring and marking tool;

(52) **U.S. Cl.** **D10/62; D10/65**

FIG. 2 is an isometric view of the second side thereof;

(58) **Field of Search** D10/62, 65; 33/418-429,

FIG. 3 is an elevational view of the front thereof;

33/474, 476, 460, 470, 480, 451

FIG. 4 is an elevational view of the back thereof;

(56) **References Cited**

FIG. 5 is an elevational view of the right side thereof;

U.S. PATENT DOCUMENTS

FIG. 6 is an elevational view of the left side thereof;

D. 332,413 * 1/1993 Douglas D10/65 X

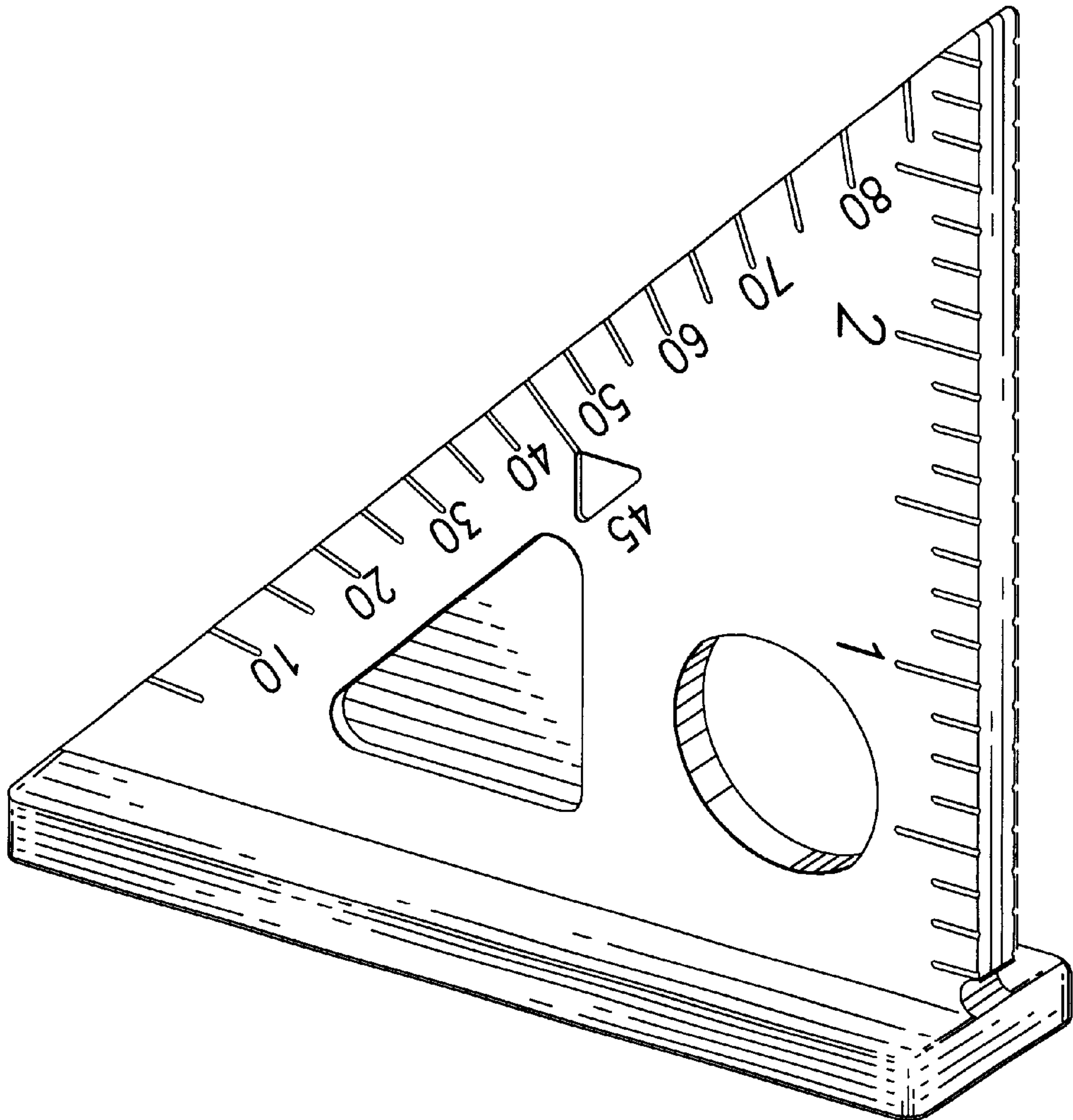
FIG. 7 is a top view thereof; and,

D. 364,574 * 11/1995 Utz et al. D10/62

FIG. 8 is a bottom view thereof.

4,742,619 * 5/1988 Swanson 33/474

1 Claim, 2 Drawing Sheets



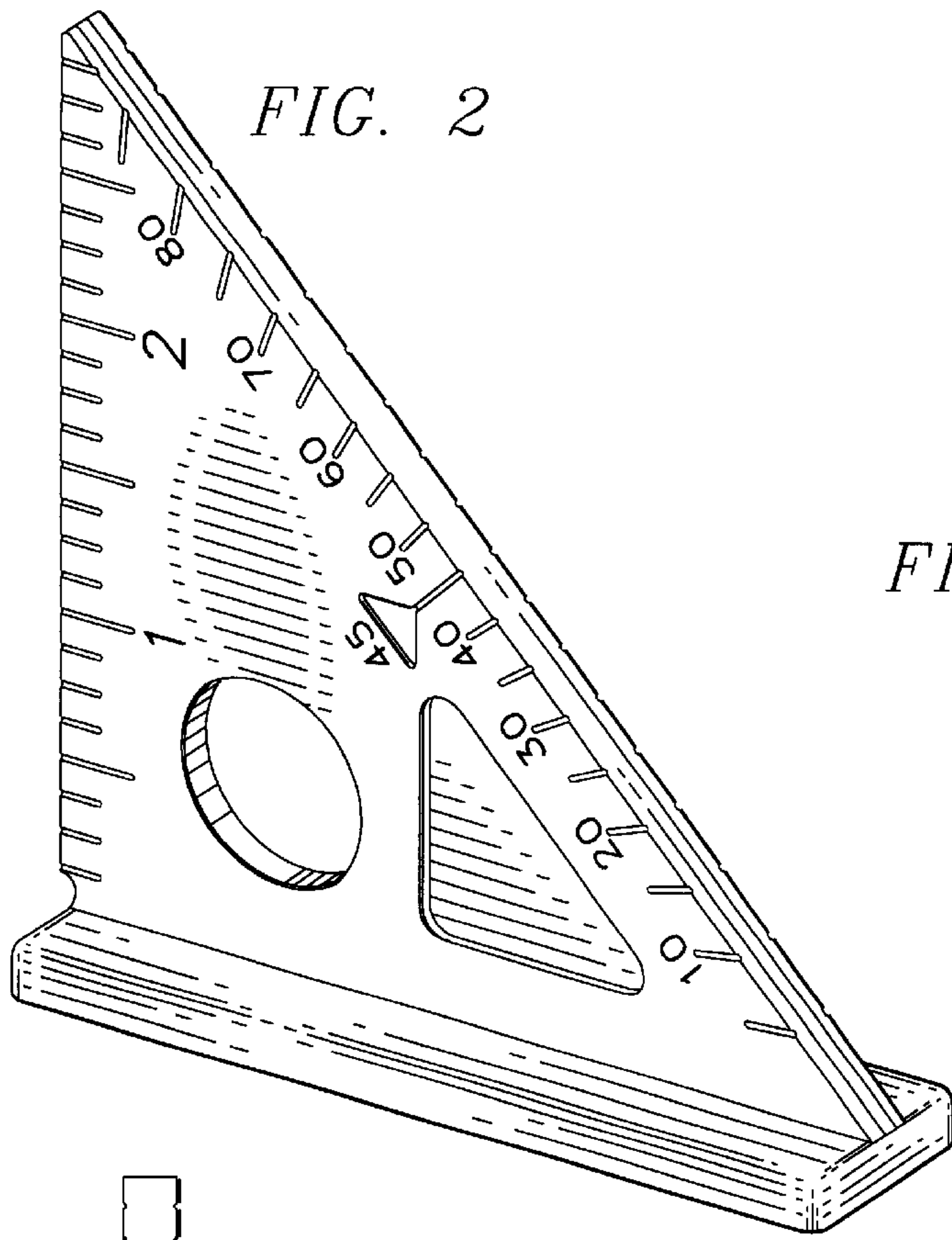


FIG. 2

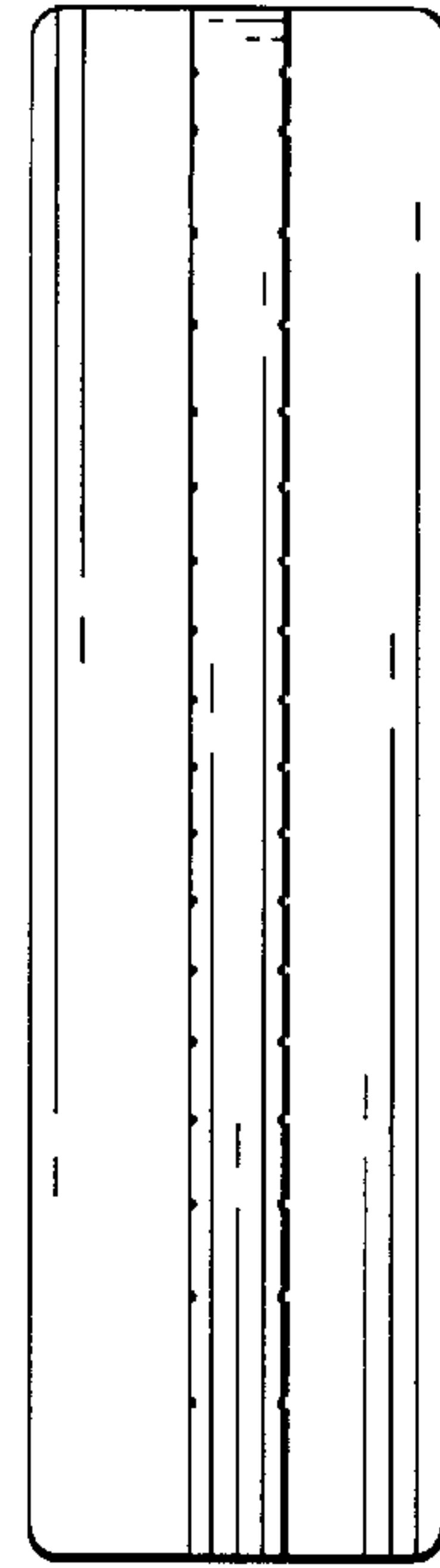


FIG. 7

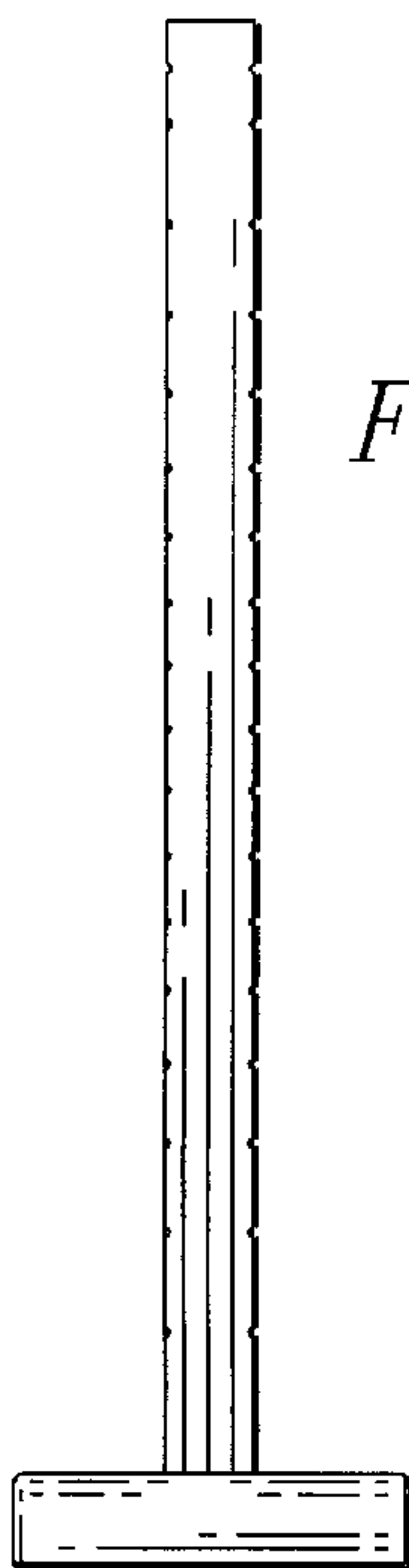


FIG. 3

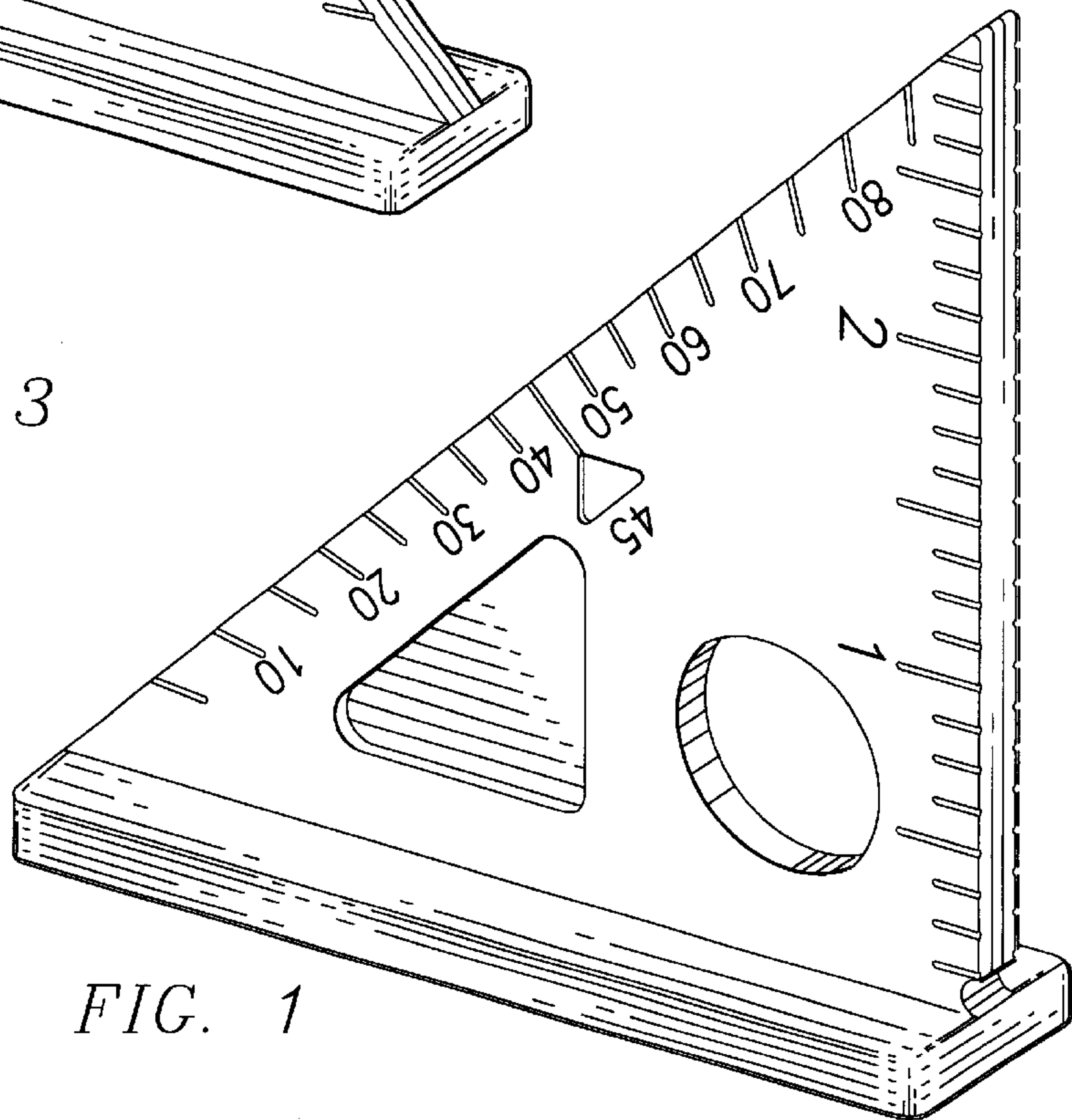


FIG. 1

