



US00D445699S

(12) **United States Design Patent**
Lin

(10) **Patent No.:** **US D445,699 S**

(45) **Date of Patent:** **** Jul. 31, 2001**

(54) **TYMPANIC THERMOMETER**

(75) Inventor: **Kevin Lin**, Hsin Chu (TW)

(73) Assignee: **Oriental System Technology, Inc.**,
Hsin Chu (TW)

(**) Term: **14 Years**

(21) Appl. No.: **29/132,741**

(22) Filed: **Nov. 13, 2000**

(51) **LOC (7) Cl.** **10-04**

(52) **U.S. Cl.** **D10/57**

(58) **Field of Search** D10/57; 128/664,
128/736; 374/130, 131, 208; 600/474

(56) **References Cited**

U.S. PATENT DOCUMENTS

D. 402,905	*	12/1998	Kanza et al.	D10/57
D. 419,462	*	1/2000	Lin	D10/57
D. 419,893	*	2/2000	Cheng	D10/57
6,192,268	*	2/2000	Yamamoto et al.	600/474

* cited by examiner

Primary Examiner—Antoine Duval Davis
(74) *Attorney, Agent, or Firm*—Martine & Penilla, LLP

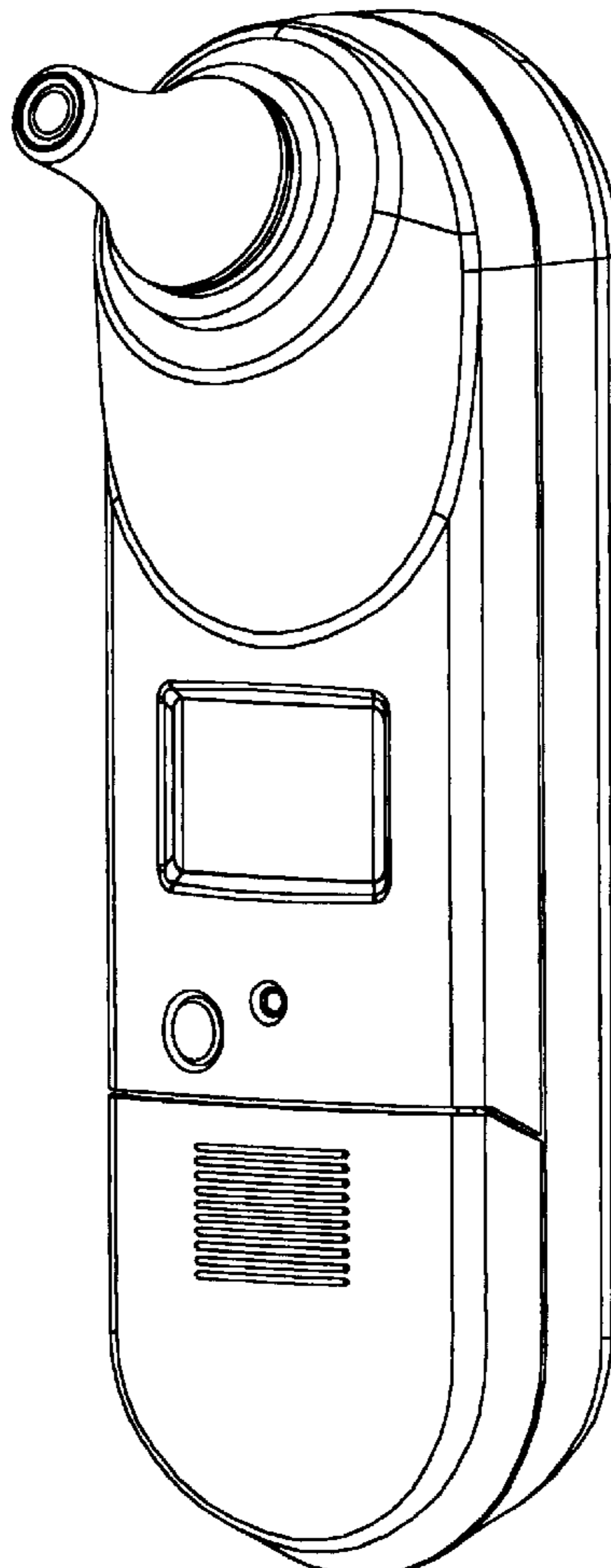
(57) **CLAIM**

The ornamental design for a tympanic thermometer, as shown and described.

DESCRIPTION

FIG. 1 is a left elevation view of the tympanic thermometer of the design;
 FIG. 2 is a right elevation view of the tympanic thermometer of the design;
 FIG. 3 is a front elevation view of the tympanic thermometer of the design;
 FIG. 4 is a rear elevation view of the tympanic thermometer of the design;
 FIG. 5 is a top view of the tympanic thermometer of the design;
 FIG. 6 is a bottom view of the tympanic thermometer of the design; and,
 FIG. 7 is an isometric view of the tympanic thermometer of the design.

1 Claim, 6 Drawing Sheets



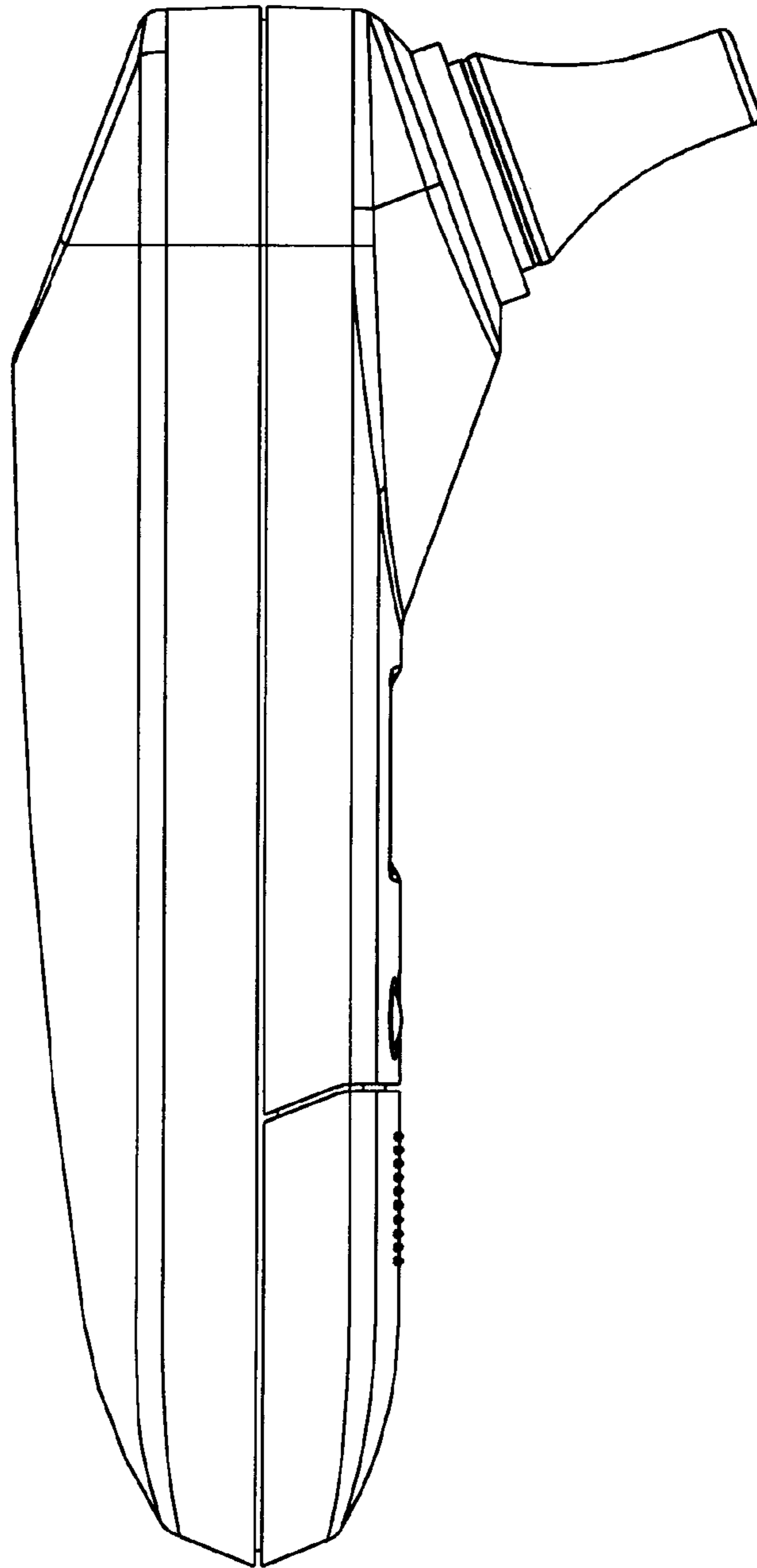


FIG. 1

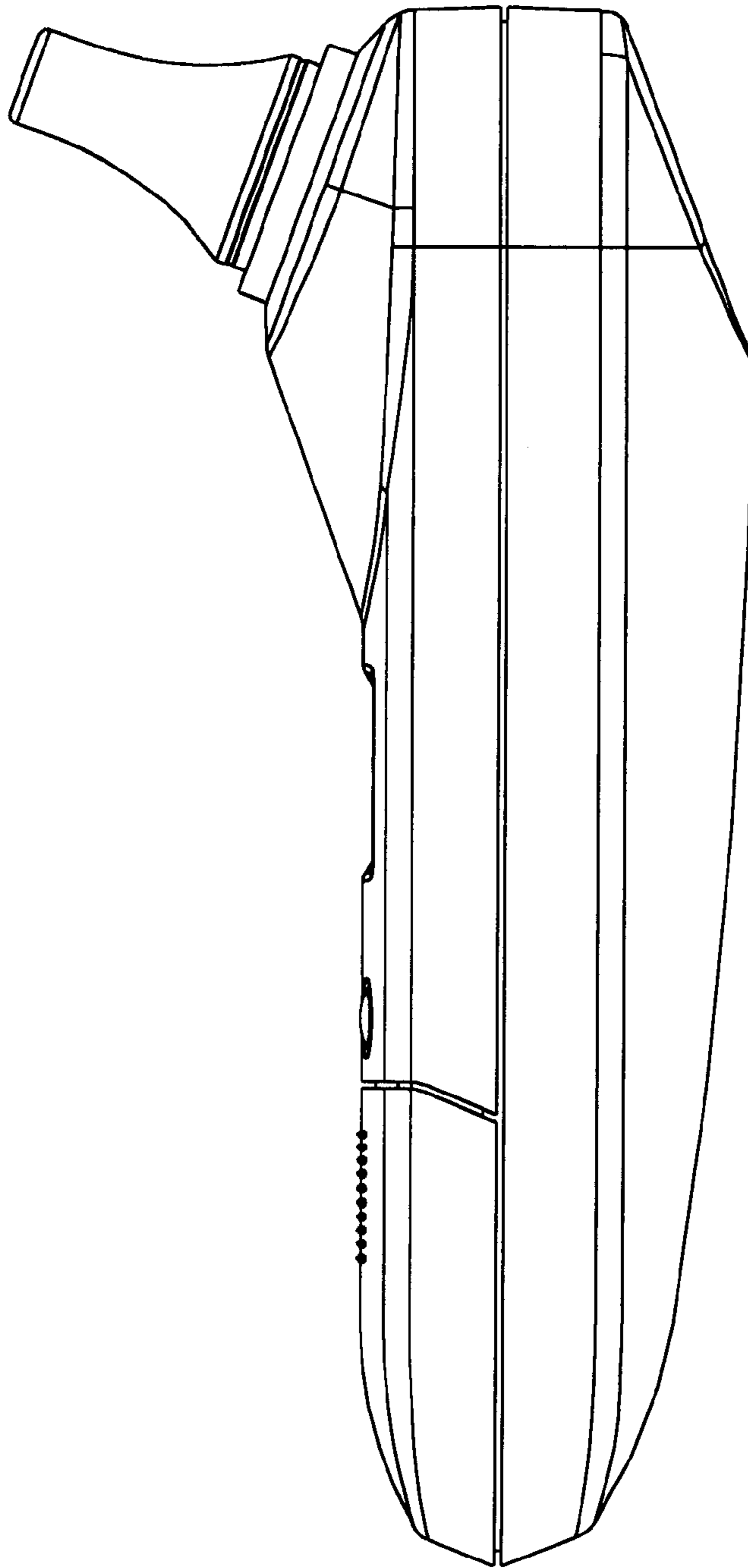


FIG. 2

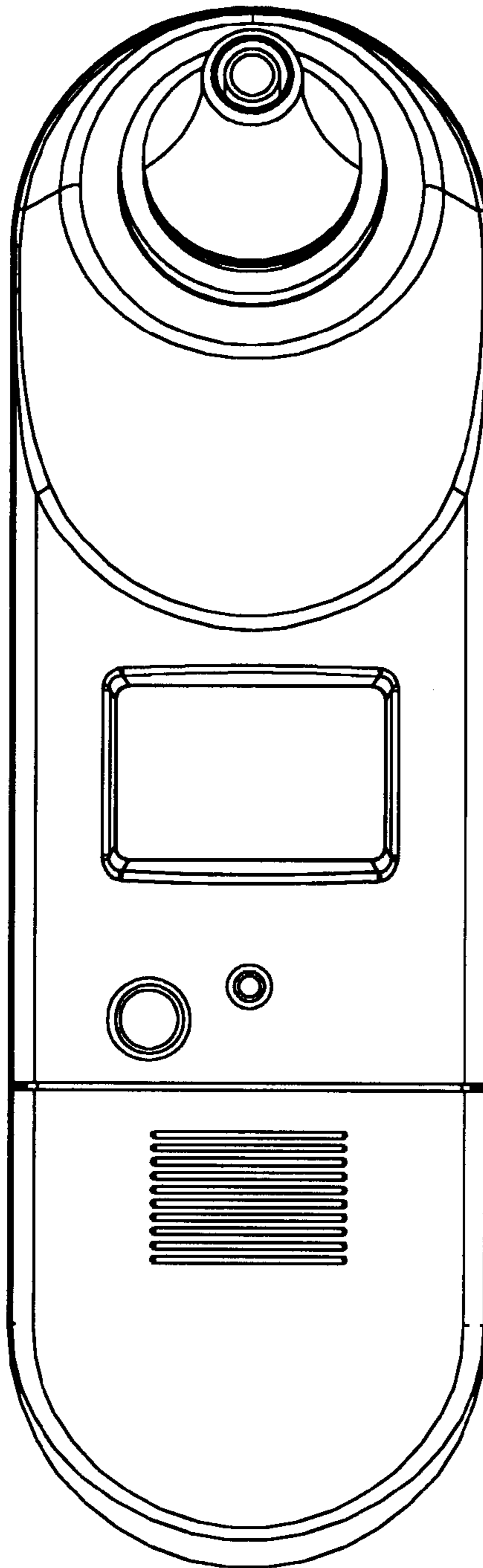


FIG. 3

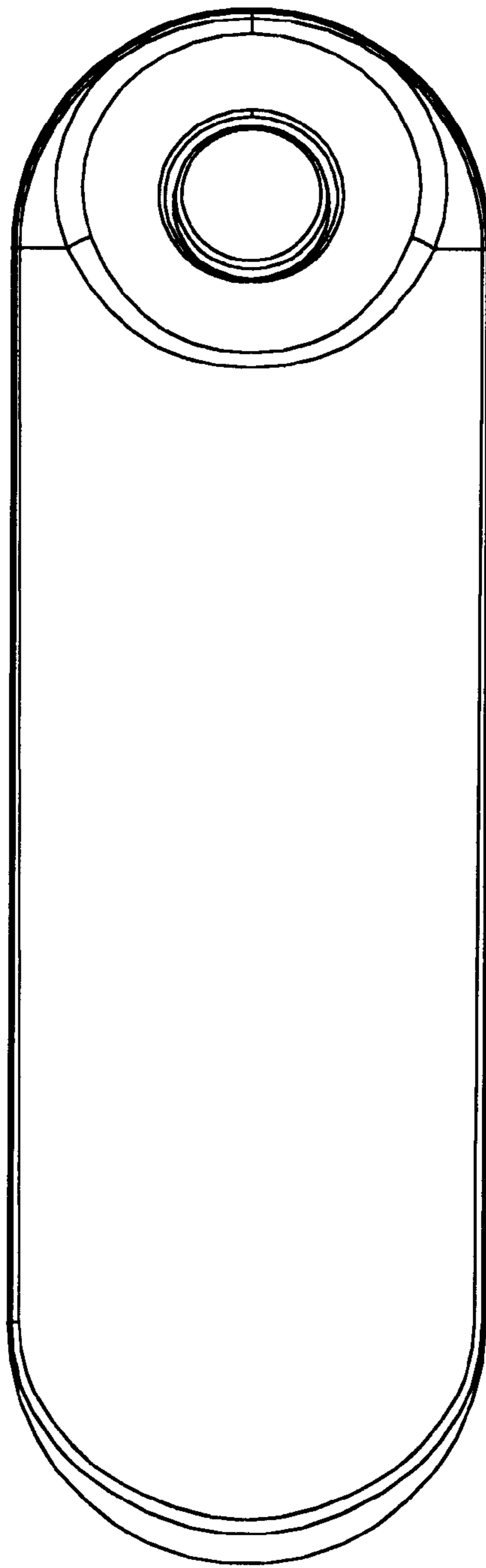


FIG. 4

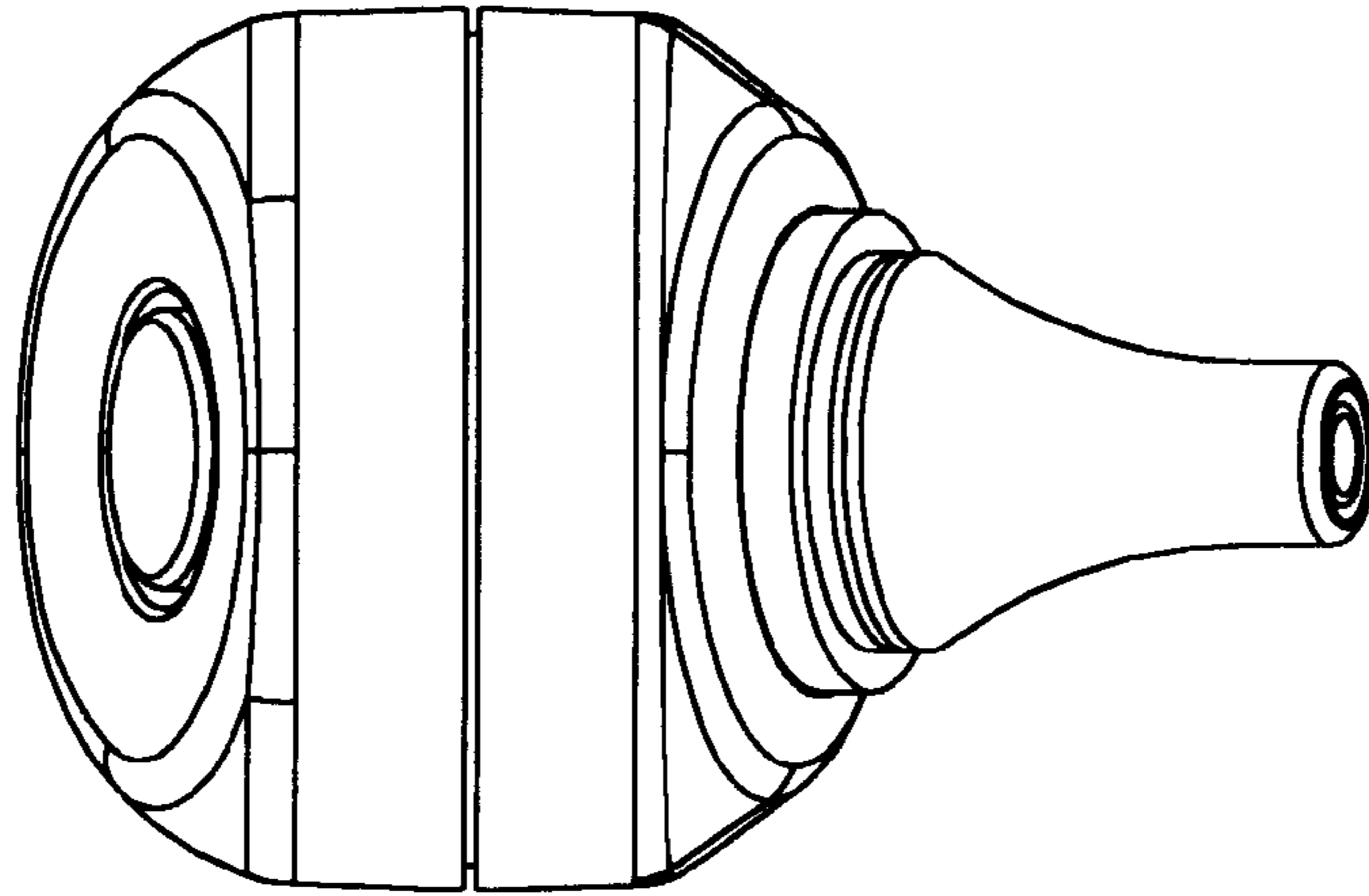


FIG. 5

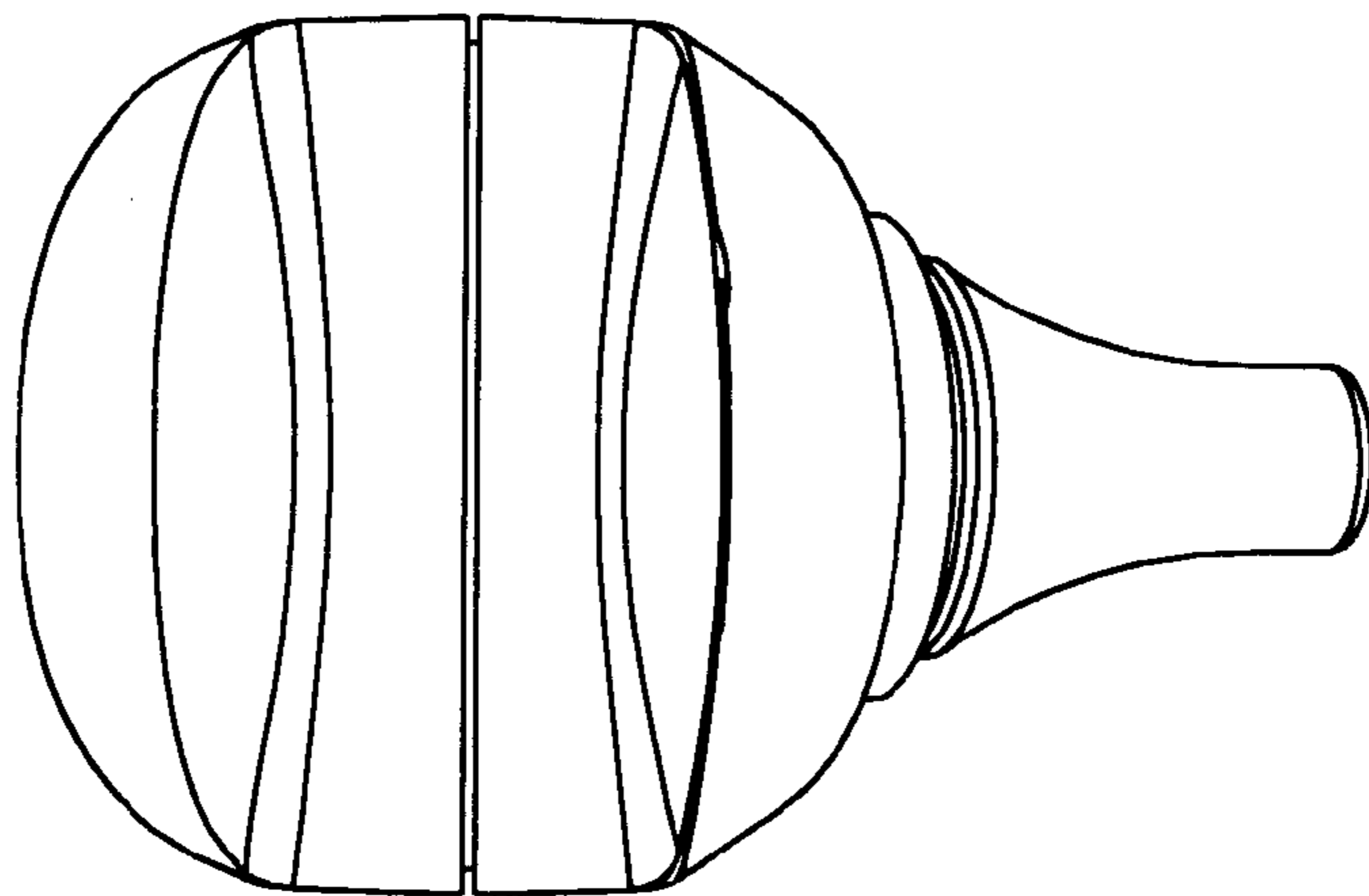


FIG. 6

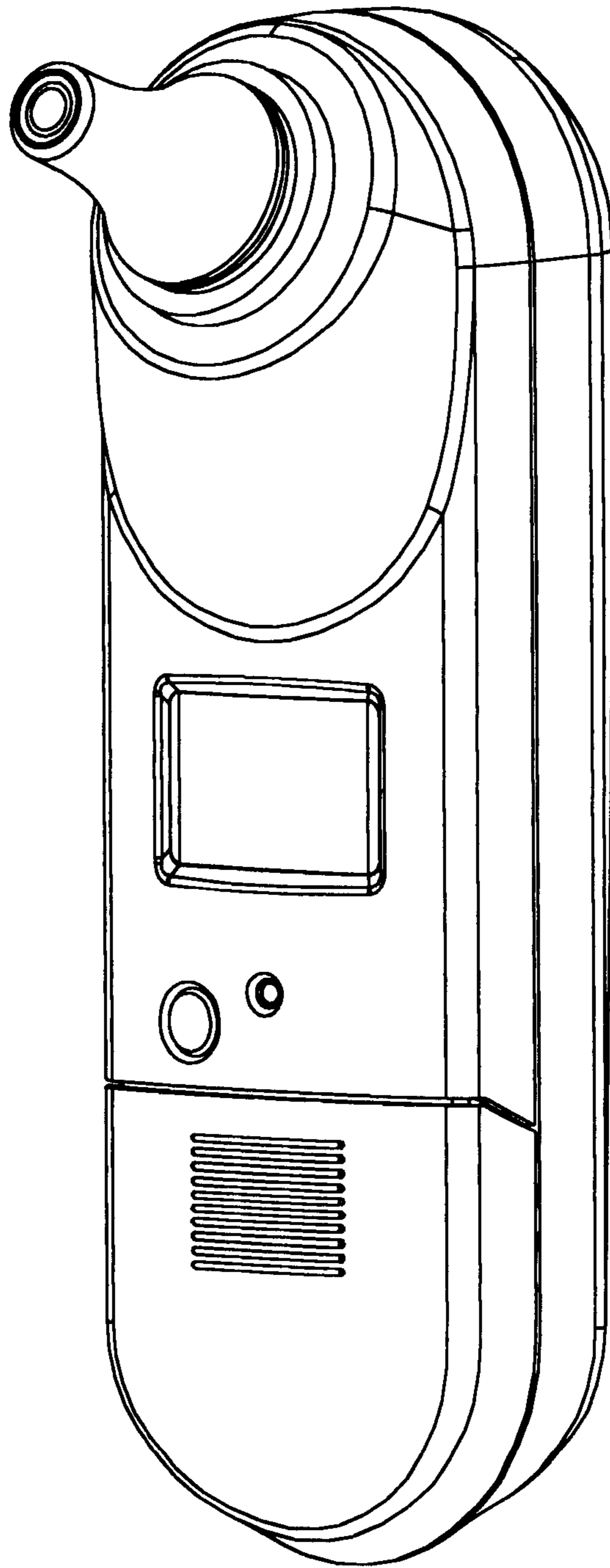


FIG. 7