



US00D445695S

(12) **United States Design Patent**  
**Ogg**

(10) **Patent No.:** **US D445,695 S**

(45) **Date of Patent:** **\*\* Jul. 31, 2001**

(54) **CONTAINER DOME**

(75) Inventor: **Richard K. Ogg**, Littlestown, PA (US)

(73) Assignee: **Graham Packaging Company, L.P.**,  
York, PA (US)

(\*\*) Term: **14 Years**

(21) Appl. No.: **29/121,537**

(22) Filed: **Apr. 7, 2000**

(51) **LOC (7) Cl.** ..... **09-01**

(52) **U.S. Cl.** ..... **D9/550; D9/558; D9/551**

(58) **Field of Search** ..... D9/516, 520, 530,  
D9/537, 538, 539, 549, 550, 551, 559,  
564, 569, 570, 574, 434; 215/382-384

(56) **References Cited**

**U.S. PATENT DOCUMENTS**

D. 293,888	*	1/1988	Rogler	.....	D9/500
D. 294,225	*	2/1988	Rogler et al.	.....	D9/500
D. 315,678	*	3/1991	Darr	.....	D9/538
D. 316,968		5/1991	York	.	
D. 320,154		9/1991	Alberghini et al.	.	
D. 322,562	*	12/1991	Narsutis	.....	D9/538
D. 340,190		10/1993	Skidmore et al.	.....	D9/542
D. 346,556	*	5/1994	Sirico et al.	.....	D9/538
D. 374,826		10/1996	Mackinson et al.	.....	D9/542
D. 378,274		3/1997	Beaver	.....	D9/530
D. 378,353		3/1997	Emre et al.	.....	D9/542
D. 382,485	*	8/1997	Krishnakumar et al.	.....	D9/543
D. 387,279		12/1997	Emre et al.	.....	D9/542
D. 390,114	*	2/1998	Young	.....	D9/520
D. 398,539	*	9/1998	Guislain	.....	D9/564

D. 399,138	*	10/1998	Beechuk et al.	.....	D9/531
D. 420,919		2/2000	Ogg	.....	D9/542
D. 427,077	*	6/2000	Heliste et al.	.....	D9/543
D. 439,166	*	3/2001	Denner et al.	.....	D9/538
D. 440,158	*	4/2001	Bretz et al.	.....	D9/539
5,224,614	*	7/1993	Bono et al.	.....	215/384
5,758,790	*	6/1998	Ewing, Jr.	.....	215/384
5,762,221		6/1998	Tobias et al.	.....	215/381
6,044,997		4/2000	Ogg	.....	215/381

\* cited by examiner

*Primary Examiner*—Philip S. Hyder

*Assistant Examiner*—Carol Rademaker

(74) *Attorney, Agent, or Firm*—Howson and Howson

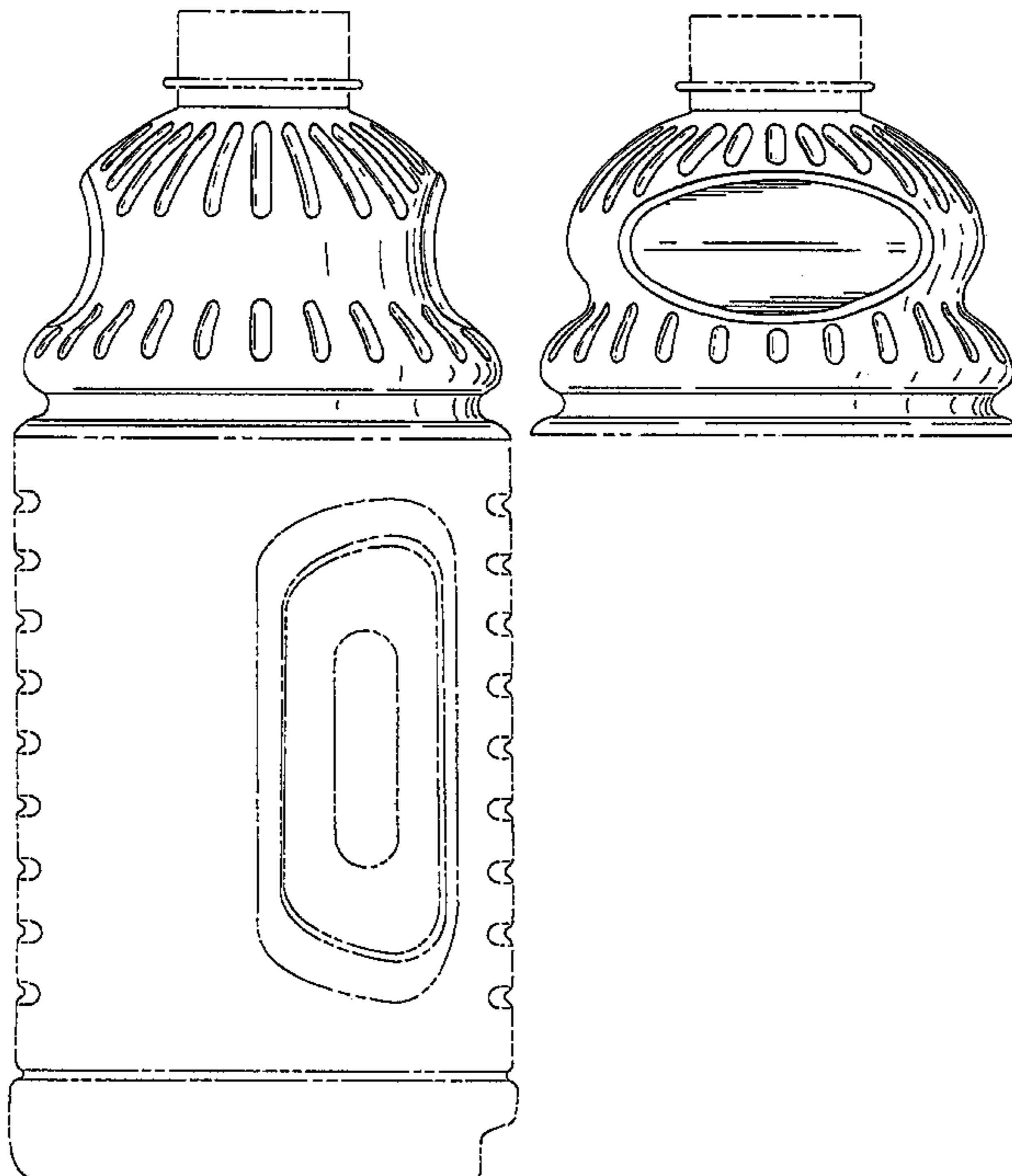
(57) **CLAIM**

The ornamental design for a container dome, as shown and described.

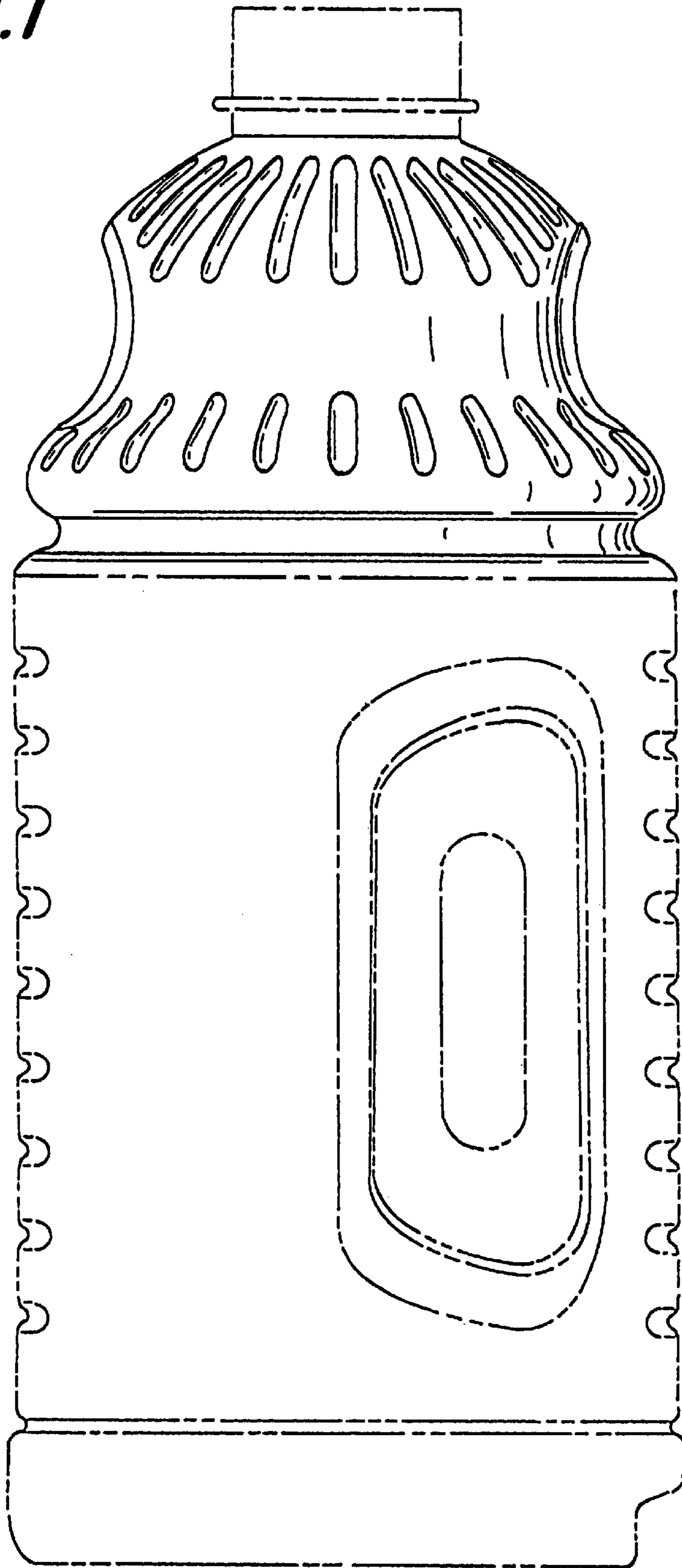
**DESCRIPTION**

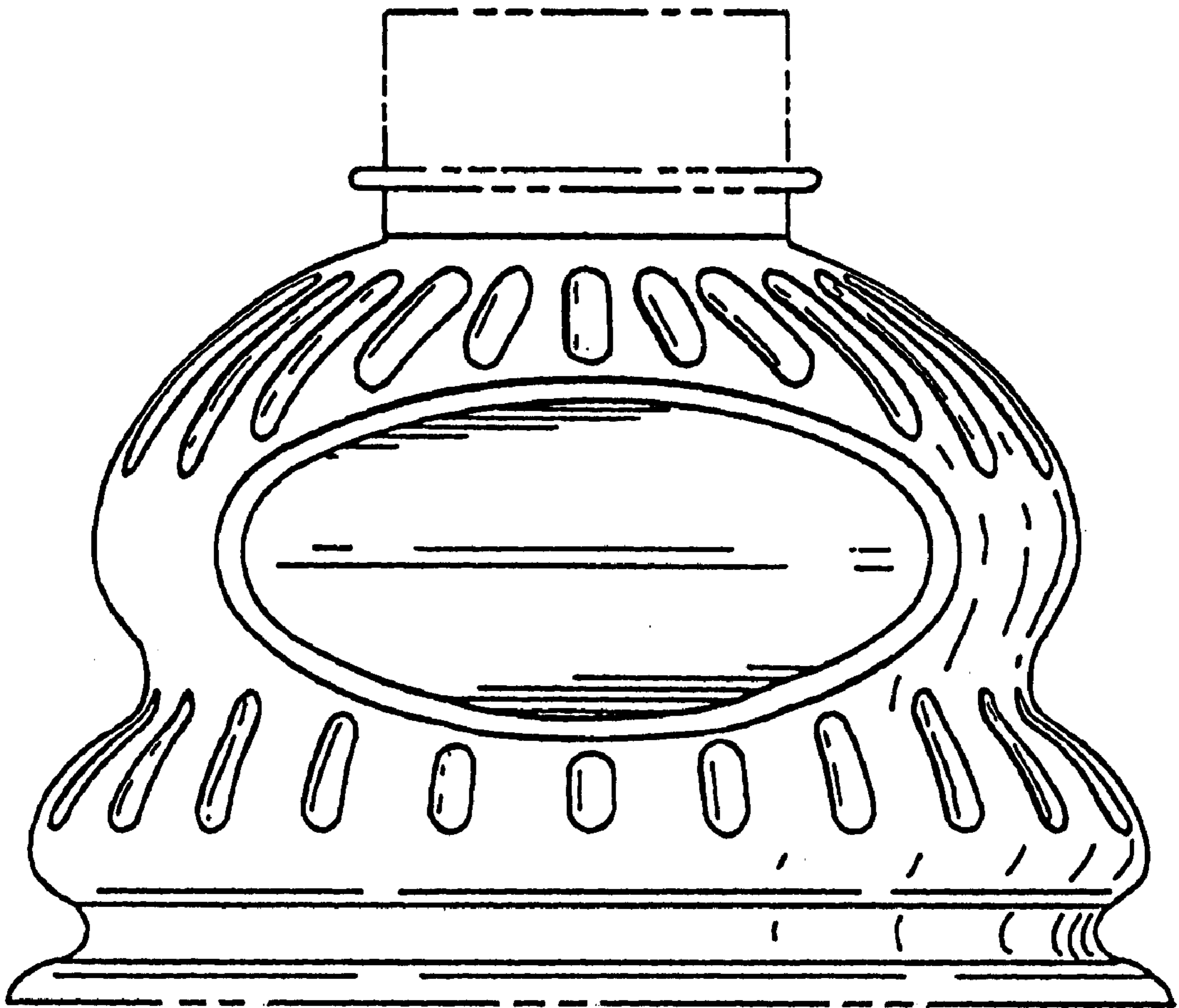
FIG. 1 is a right side elevational view of a container dome, the left side elevational view being identical thereto; FIG. 2 is a front elevational view of the container dome, the rear elevational view being identical thereto; FIG. 3 is a top plan view of the container dome; and, FIG. 4 is a bottom plan view of the container dome. The broken line showings of the finish portion of the container in FIGS. 1 and 2 and the body portion of the container in FIG. 1 are for illustrative purposes only and form no part of the claimed design. The dot-dash line shown in FIG. 1 & 2 at the lower portion of the container dome indicates the boundary of the claimed design.

**1 Claim, 3 Drawing Sheets**



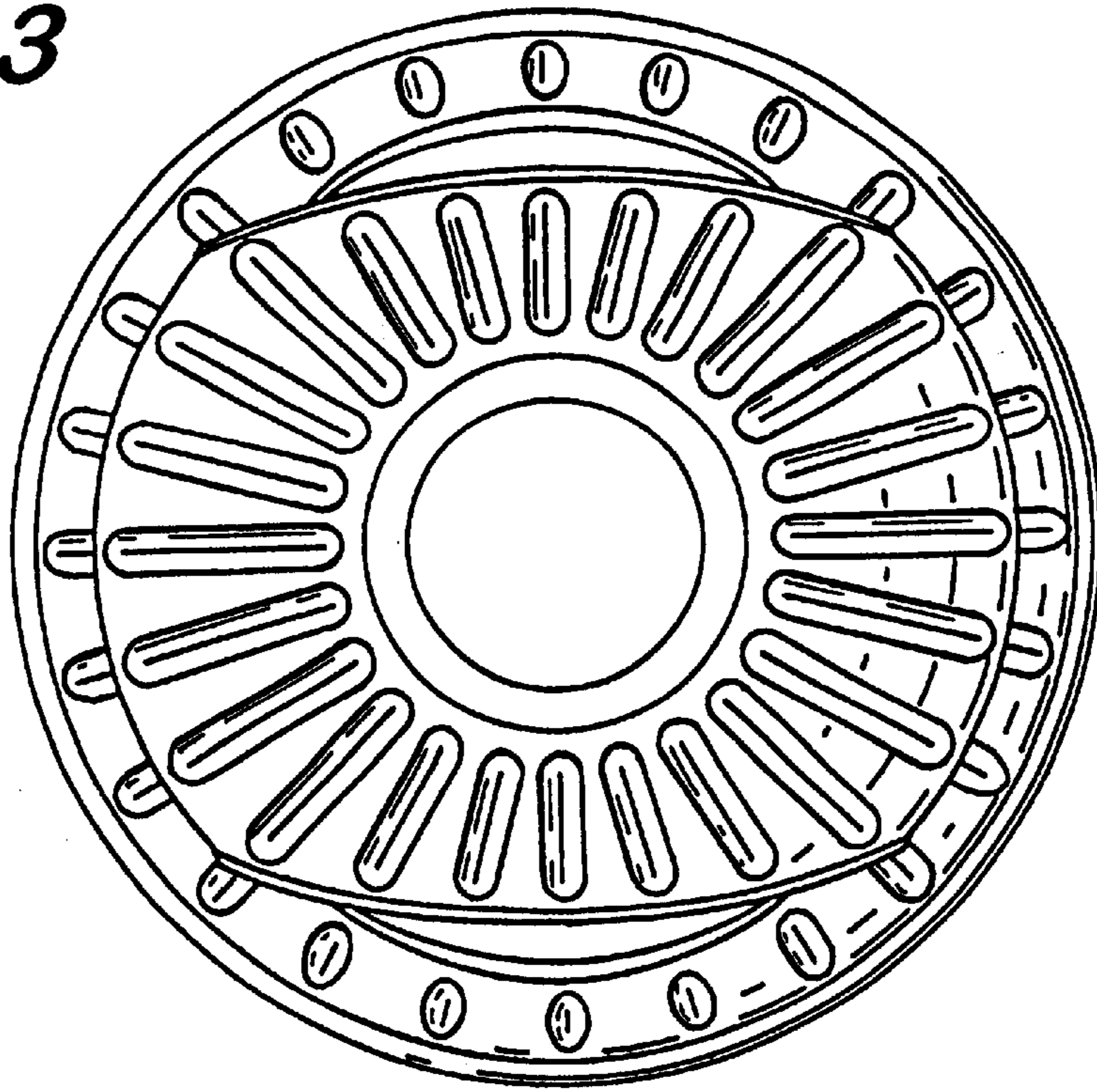
**FIG. 1**





**FIG. 2**

**FIG. 3**



**FIG. 4**

