



US00D445694S

(12) **United States Design Patent**
Gans

(10) **Patent No.:** **US D445,694 S**

(45) **Date of Patent:** **** Jul. 31, 2001**

(54) **CONTAINER**

(75) **Inventor:** **Henry G. Gans**, Appleton, WI (US)

(73) **Assignee:** **Pechiney Emballage Flexible Europe**
(FR)

(**) **Term:** **14 Years**

(21) **Appl. No.:** **29/120,970**

(22) **Filed:** **Mar. 29, 2000**

(51) **LOC (7) Cl.** **09-01**

(52) **U.S. Cl.** **D9/538**

(58) **Field of Search** D9/500, 502, 503,
D9/506, 516, 546, 549, 551, 556, 557,
558, 569, 570, 574, 575, 504-505, 510,
519-520, 521-522, 529-530, 541-545,
550, 560, 564, 571-573, 454, 414, 418,
428, 337, 513, 515; 215/382-384; 220/253-254,
258, 662, 669

(56) **References Cited**

U.S. PATENT DOCUMENTS

D. 228,626	*	10/1973	Knies	D9/347
D. 288,906	*	3/1987	Strand	D9/558
D. 314,142	*	1/1991	Briggs	D9/550
D. 321,830	*	11/1991	York et al.	D9/434
D. 345,693	*	4/1994	Edstrom	D9/538
D. 366,416	*	1/1996	Semersky	D9/434
D. 402,563	*	12/1998	Prevot et al.	D9/538
D. 426,164	*	6/2000	Gans et al.	D9/541

D. 428,814	*	8/2000	Silvers et al.	D9/502
D. 429,647	*	8/2000	Warner et al.	D9/538
D. 435,455	*	12/2000	Gans	D9/541
5,092,475	*	3/1992	Krishnakumar et al.	215/381
5,704,503	*	1/1998	Krishnakumar et al.	215/381
6,016,932	*	1/2000	Gaydosh et al.	215/382

* cited by examiner

Primary Examiner—Ted Shooman

Assistant Examiner—Carol Rademaker

(74) *Attorney, Agent, or Firm*—McDermott, Will & Emery

(57) **CLAIM**

The ornamental design for a container, as shown and described.

DESCRIPTION

FIG. 1 is a perspective view of the design of the present invention;

FIG. 2 is a front elevational view of the design depicted in FIG. 1, shown at a reduced scale;

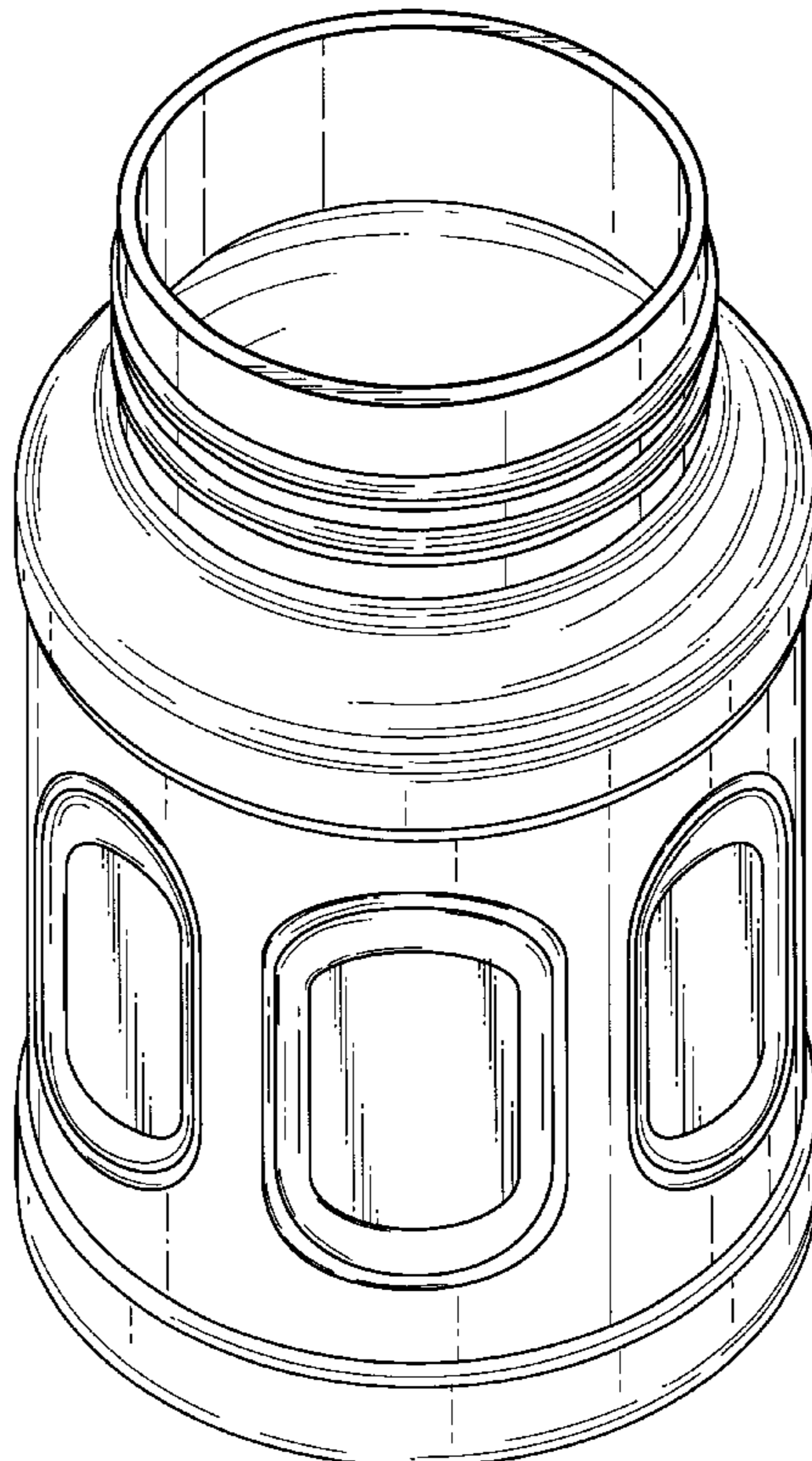
FIG. 3 is a left side elevational view of the design depicted in FIG. 1, shown at a reduced scale;

FIG. 4 is a top plan view of the design depicted in FIG. 1, shown at a reduced scale; and,

FIG. 5 is a bottom plan view of the design depicted in FIG. 1, shown at a reduced scale.

The rear elevational view is the same as the front elevational view, and the right elevational view is the same as the left elevational view.

1 Claim, 3 Drawing Sheets



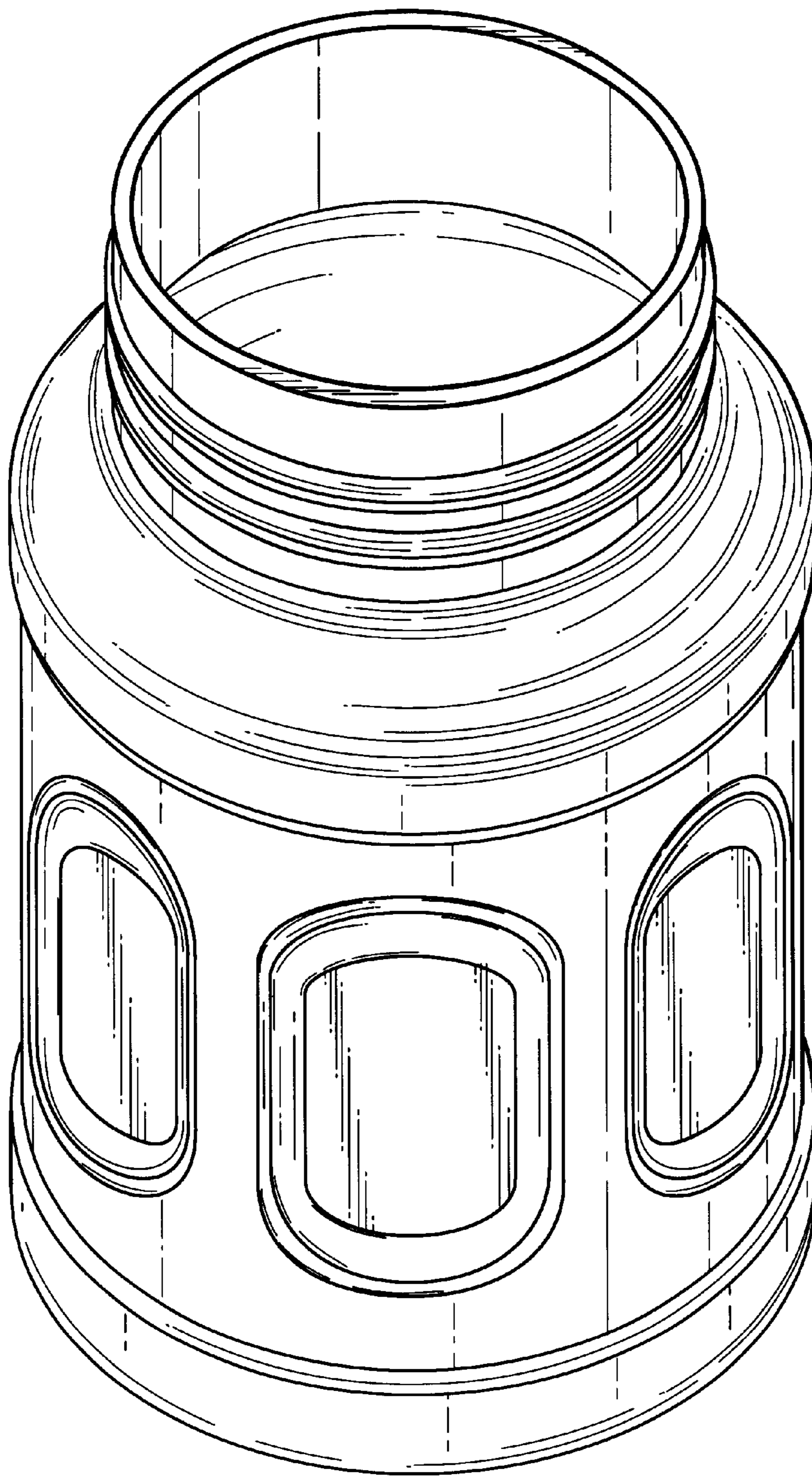


Fig. 1

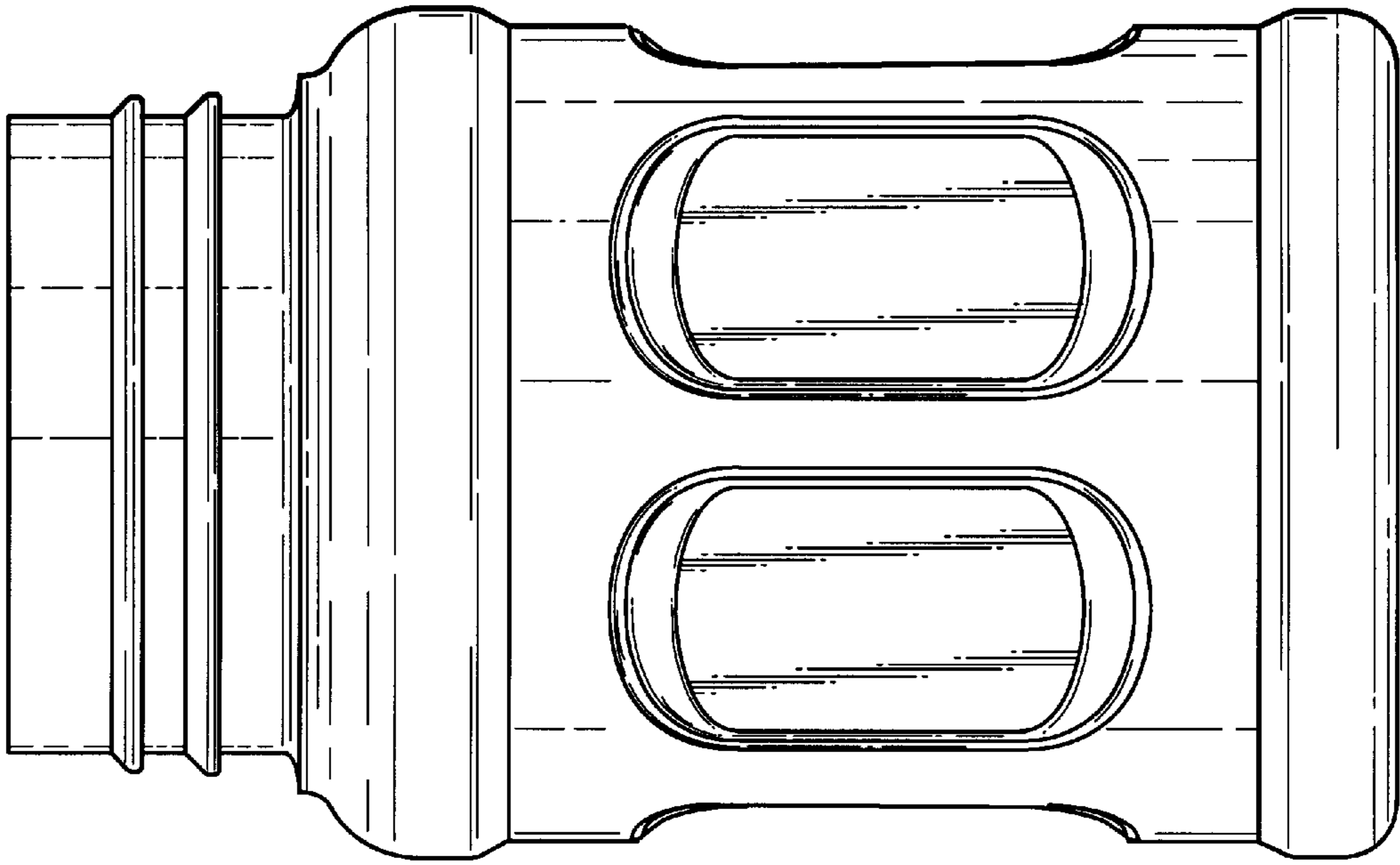


Fig. 2

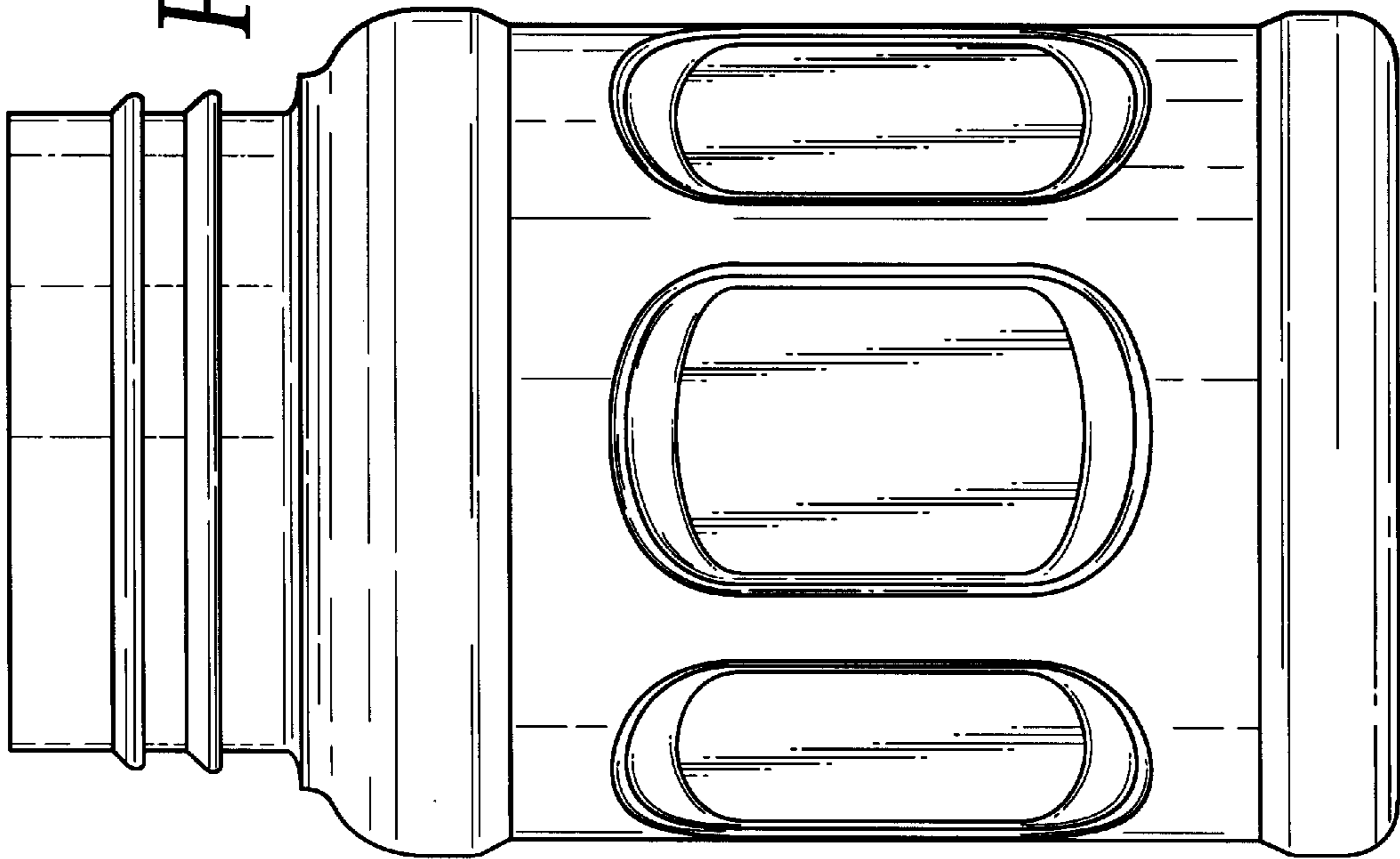


Fig. 3

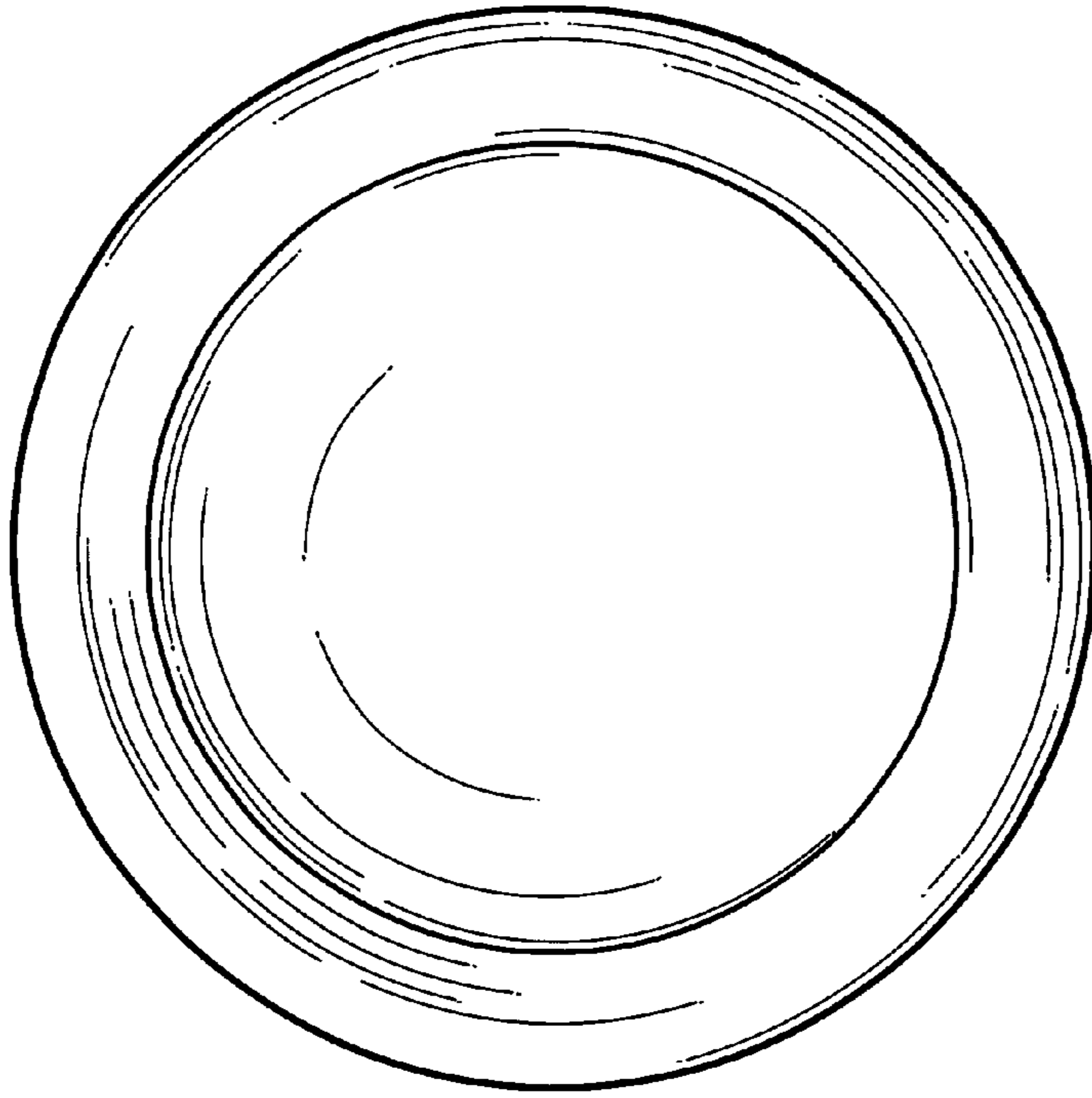


Fig. 5

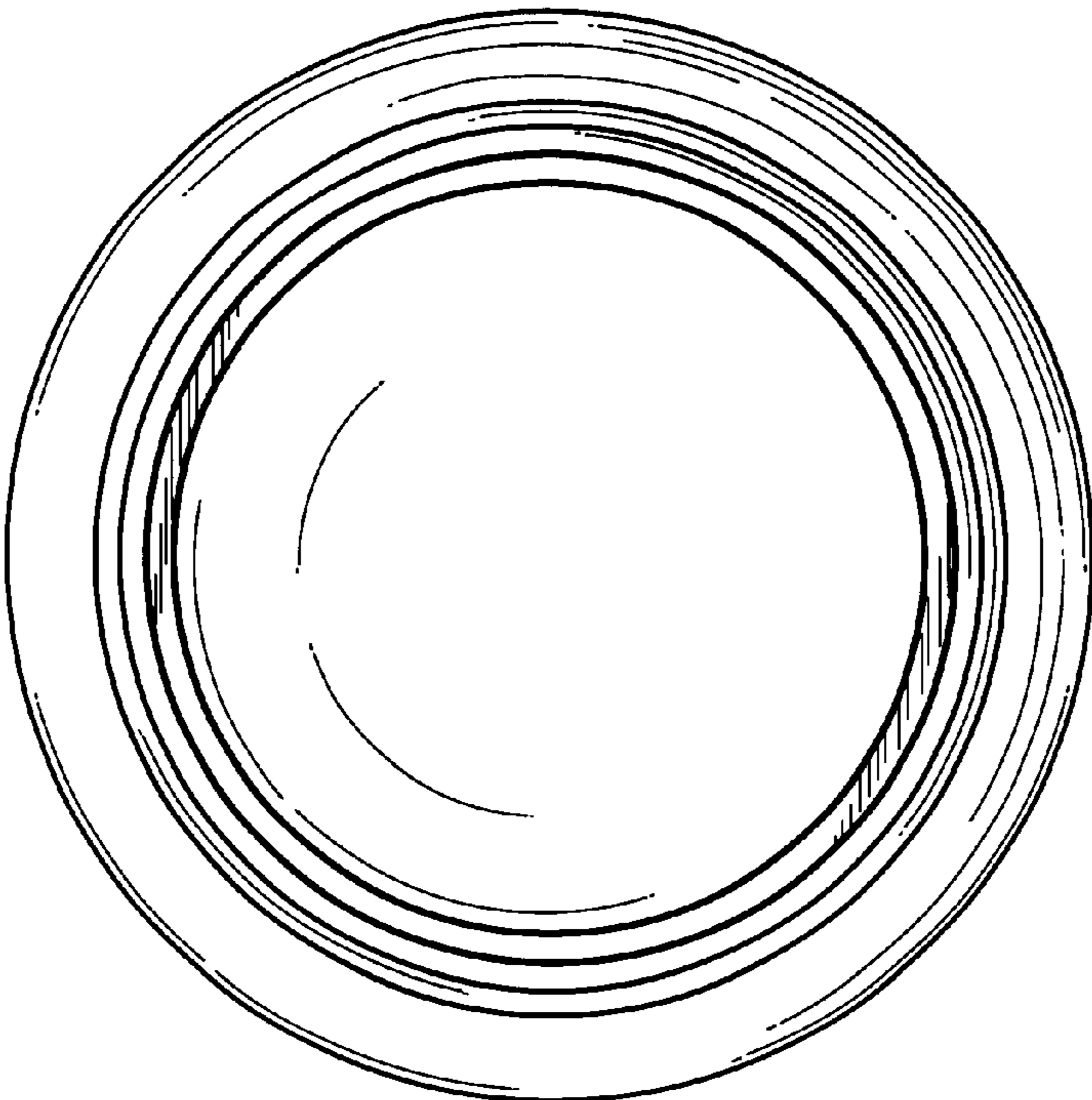


Fig. 4