



US00D445693S

(12) **United States Design Patent**
Rashid

(10) **Patent No.:** **US D445,693 S**

(45) **Date of Patent:** **** Jul. 31, 2001**

(54) **PLASTIC CONTAINER**

5,704,503 * 1/1998 Krishnakumar et al. 215/381
6,016,932 * 1/2000 Gaydosch et al. 215/382

(75) Inventor: **A. B. M. Bazlur Rashid**, Neenah, WI
(US)

* cited by examiner

(73) Assignee: **Pechiney Emballage Flexible Europe**
(FR)

Primary Examiner—Ted Shooman

Assistant Examiner—Carol Rademaker

(**) Term: **14 Years**

(74) *Attorney, Agent, or Firm*—McDermott, Will & Emery

(21) Appl. No.: **29/119,042**

(57) **CLAIM**

The ornamental design for a plastic container, as shown and described.

(22) Filed: **Feb. 23, 2000**

DESCRIPTION

(51) **LOC (7) Cl.** **09-01**

FIG. 1 is a perspective view of the design of the present invention;

(52) **U.S. Cl.** **D9/538**

FIG. 2 is a front elevational view of the design depicted in FIG. 1, shown at a reduced scale, the opposite side being identical;

(58) **Field of Search** D9/500, 502, 503,
D9/506, 516, 546, 549, 551, 556, 557,
558, 569, 570, 574, 575; 215/38.1–38.4

FIG. 3 is a left side elevational view of the design depicted in FIG. 1, shown at a reduced scale, the opposite side being identical;

(56) **References Cited**

U.S. PATENT DOCUMENTS

D. 228,626	*	10/1973	Knies	D9/347
D. 288,906	*	3/1987	Strand	D9/558
D. 314,142	*	1/1991	Briggs	D9/550
D. 321,830	*	11/1991	York et al.	D9/434
D. 345,693	*	4/1994	Edstrom	D9/538
D. 366,416	*	1/1996	Semersky	D9/434
D. 402,563	*	12/1998	Prevot et al.	D9/538
D. 426,164	*	6/2000	Gans et al.	D9/541
D. 428,814	*	8/2000	Silvers et al.	D9/502
D. 429,647	*	8/2000	Warner et al.	D9/538
D. 435,455	*	12/2000	Gans	D9/541
5,092,475	*	3/1992	Krishnakumar et al.	215/381

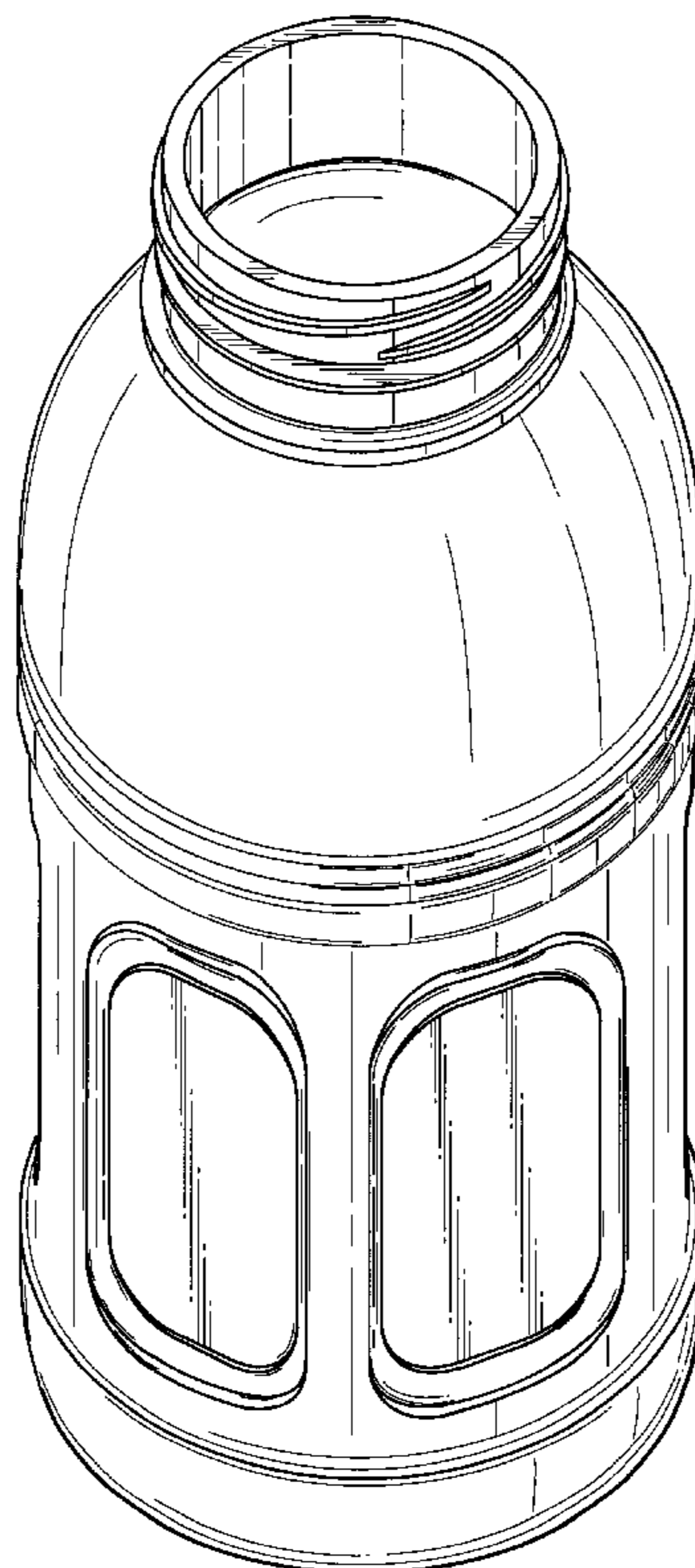
FIG. 4 is a top plan view of the design depicted in FIG. 1 shown at a reduced scale; and,

FIG. 5 is a bottom plan view of the design depicted in FIG. 1, shown at a reduced scale.

The broken line showing of environment in FIGS. 4 & 5 is for illustrative purposes only and forms no part of the claimed design.

The shading presented in FIGS. 1–5 is provided merely to highlight the contour of the invention and is not intended to be illustrative of texture or gloss.

1 Claim, 3 Drawing Sheets



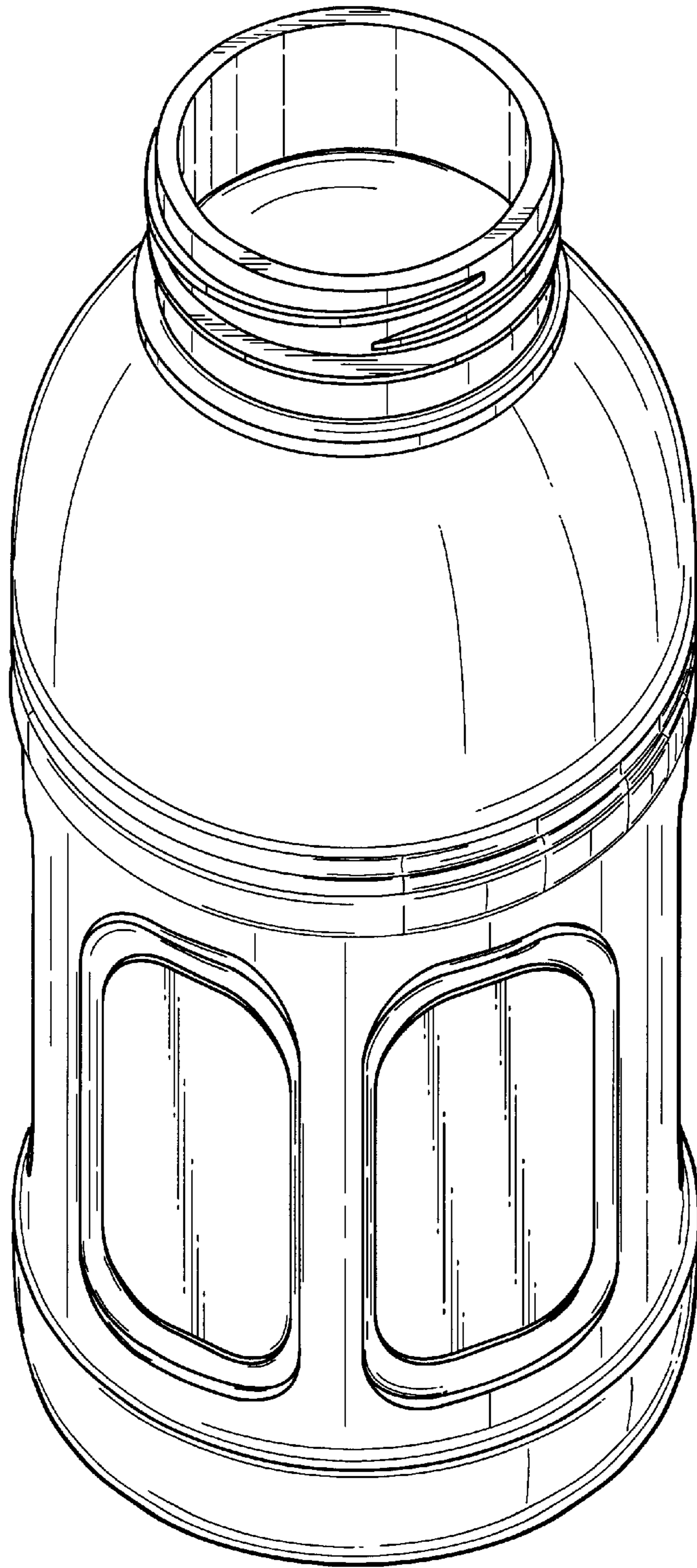


Fig. 1

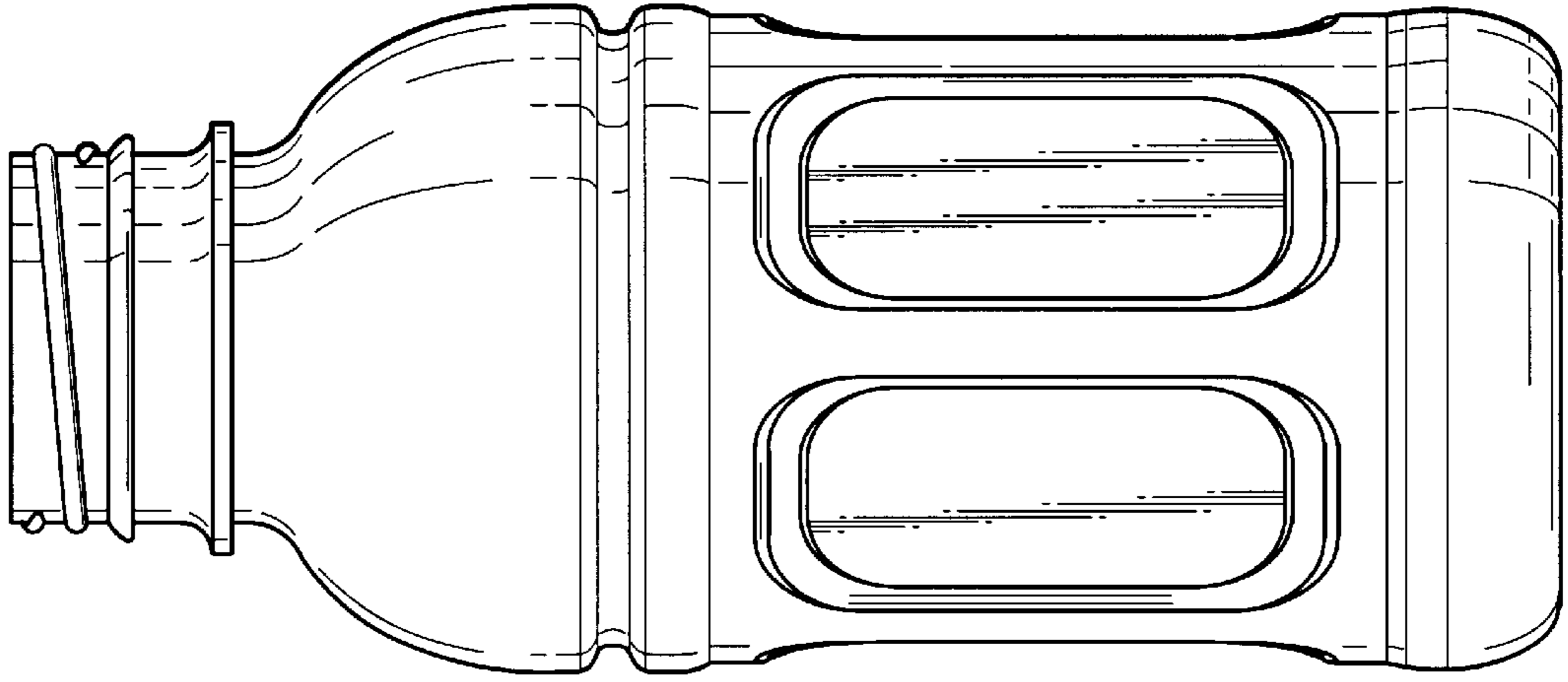


Fig. 2

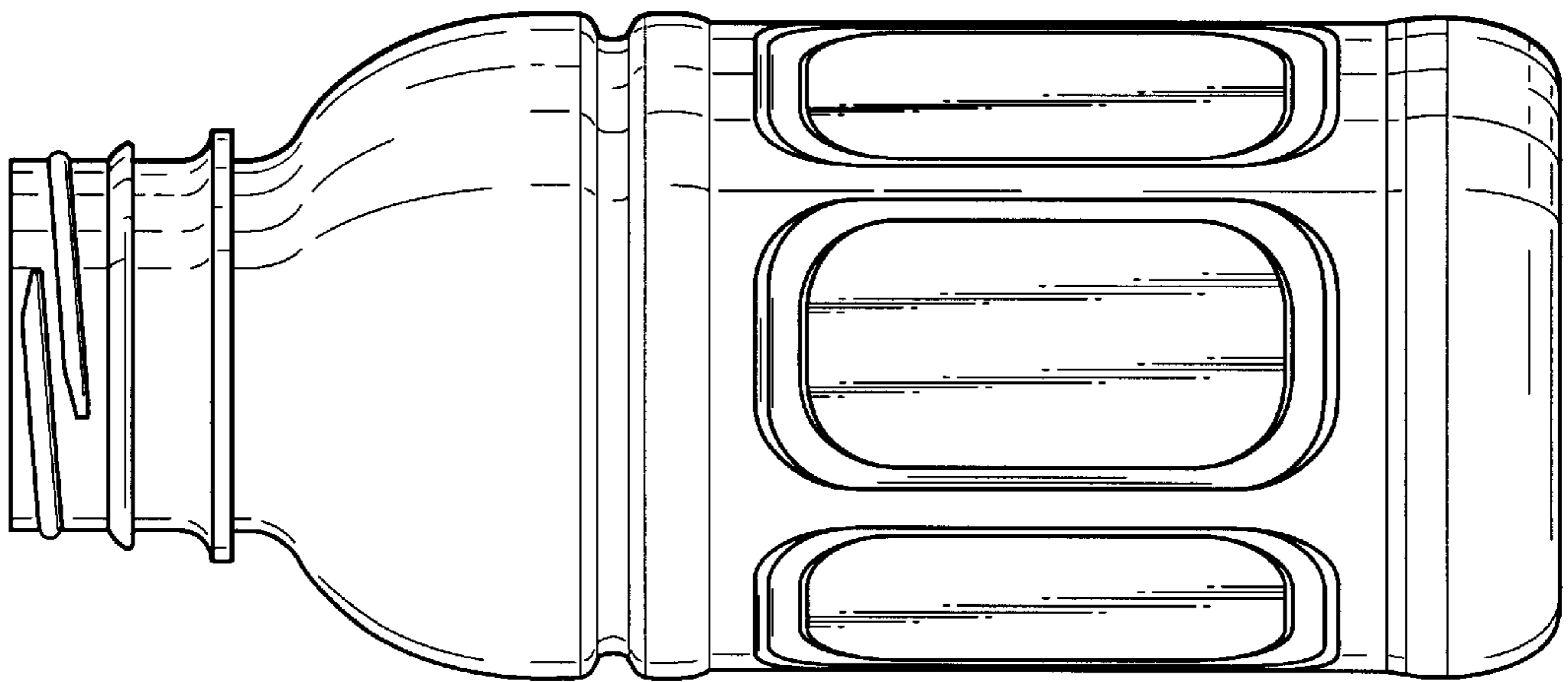


Fig. 3

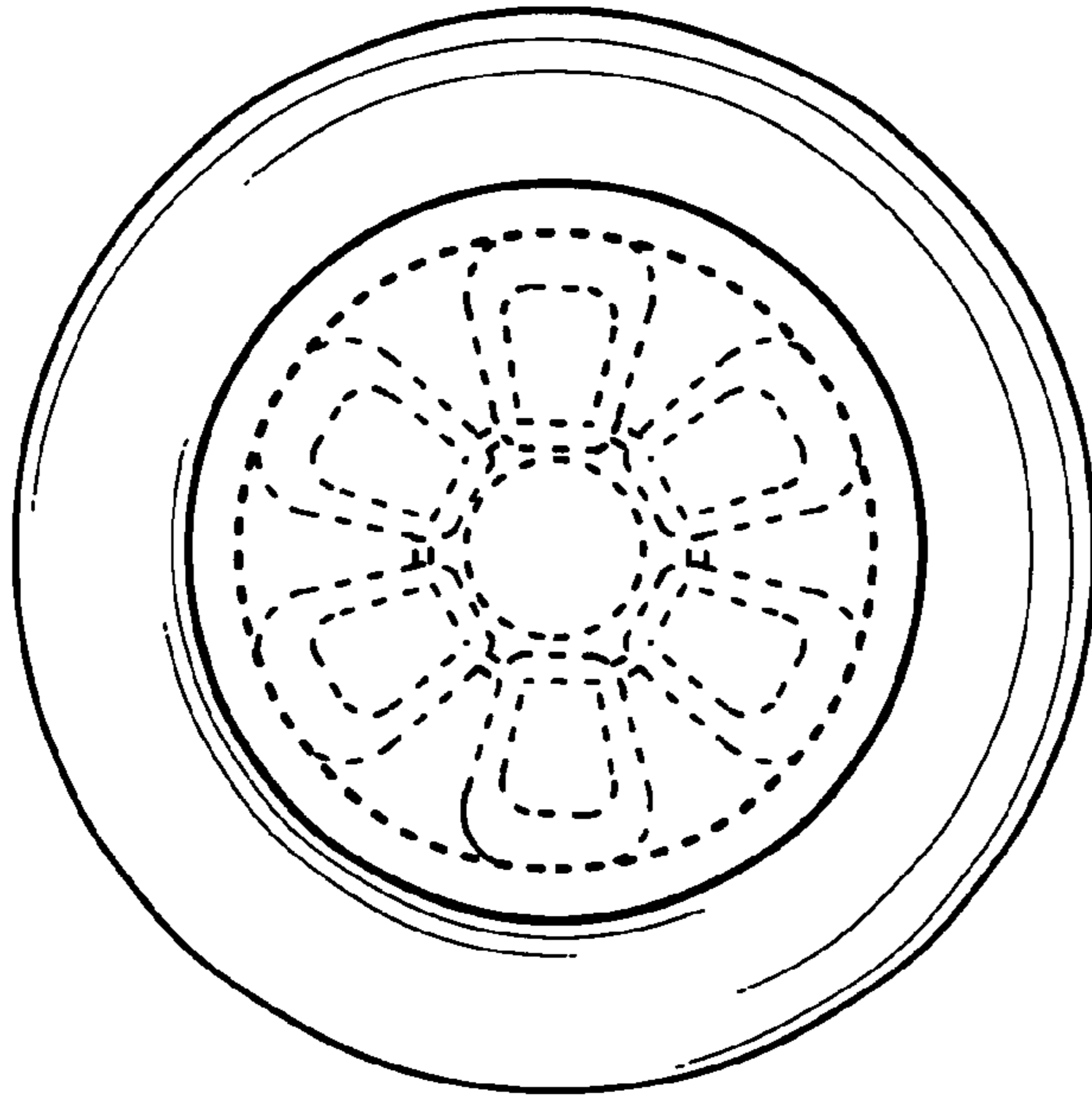


Fig. 5

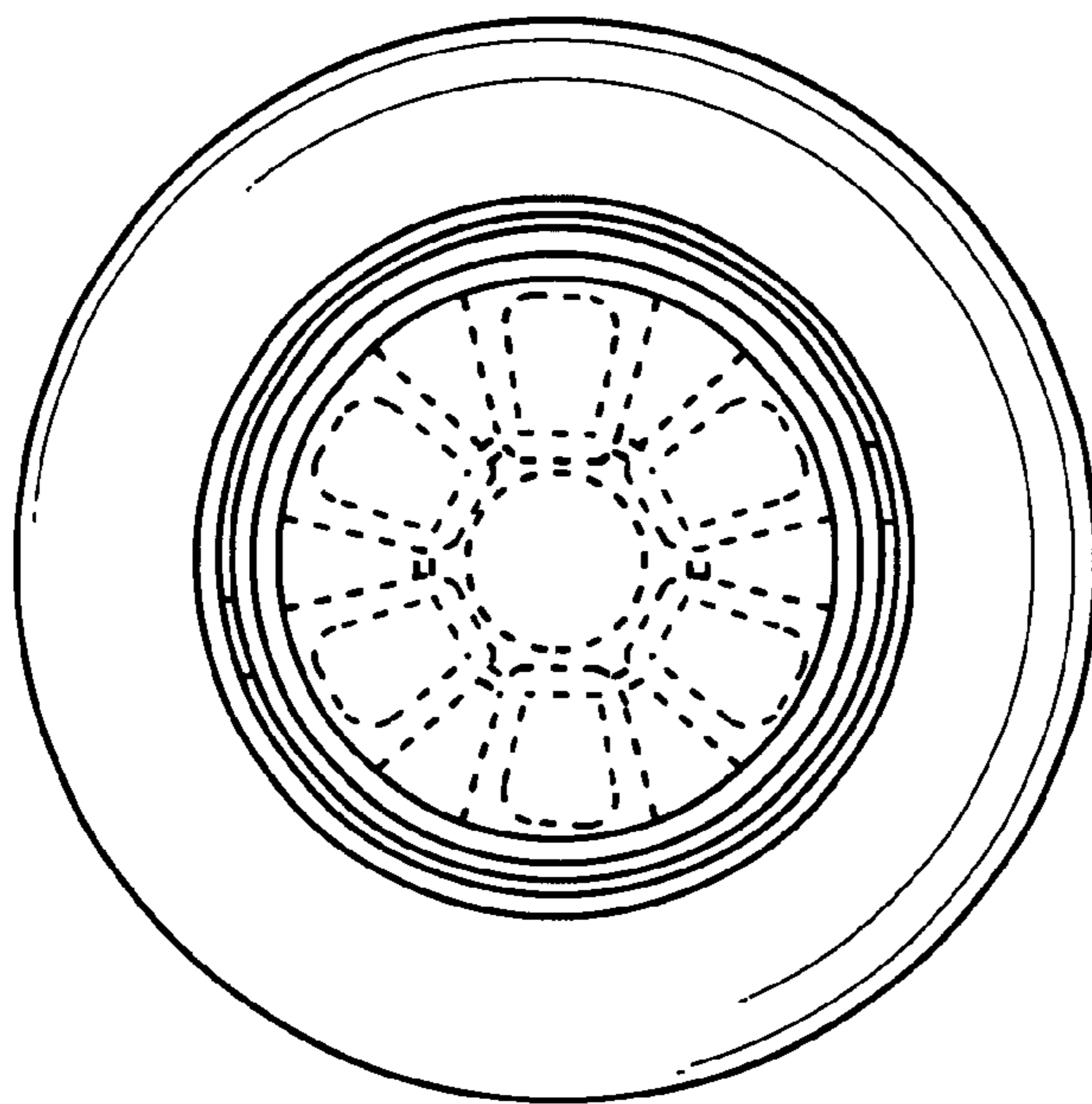


Fig. 4