



US00D445688S

(12) **United States Design Patent**
Webb

(10) **Patent No.:** **US D445,688 S**

(45) **Date of Patent:** **** Jul. 31, 2001**

(54) **FULLY ARTICULATED CONTAINER
HOLDER**

(76) **Inventor:** **James Webb**, 3112 Kashiwa St.,
Torrance, CA (US) 90505-4011

(**) **Term:** **14 Years**

(21) **Appl. No.:** **29/131,947**

(22) **Filed:** **Oct. 31, 2000**

(51) **LOC (7) Cl.** **09-07**

(52) **U.S. Cl.** **D9/455; D7/620**

(58) **Field of Search** D9/455; D7/619-622;
215/399; 220/710.5, 737, 741, 751

(56) **References Cited**

U.S. PATENT DOCUMENTS

- D. 350,483 * 9/1994 Escobedo D9/455
- D. 366,601 * 1/1996 Oroudjian D7/622
- D. 367,210 * 2/1996 McKenney D7/620
- D. 380,676 * 7/1997 Holland D9/434

- D. 397,940 * 9/1998 Safarian D9/455
- D. 401,121 * 11/1998 Hartmann et al. D7/620
- D. 438,467 * 3/2001 Durand D9/434
- 2,767,744 * 10/1956 Beerman D7/624 X

* cited by examiner

Primary Examiner—Cathron C. Brooks

(74) *Attorney, Agent, or Firm*—Roger A. Marrs

(57) **CLAIM**

The ornamental design for fully articulated container holder,
as shown and described.

DESCRIPTION

FIG. 1 is a front perspective view of a fully articulated
container holder showing my new design;
FIG. 2 is a side elevational view thereof;
FIG. 3 is a rear elevational view thereof;
FIG. 4 is a front elevational view thereof; and,
FIG. 5 is a top plan view thereof.

1 Claim, 2 Drawing Sheets

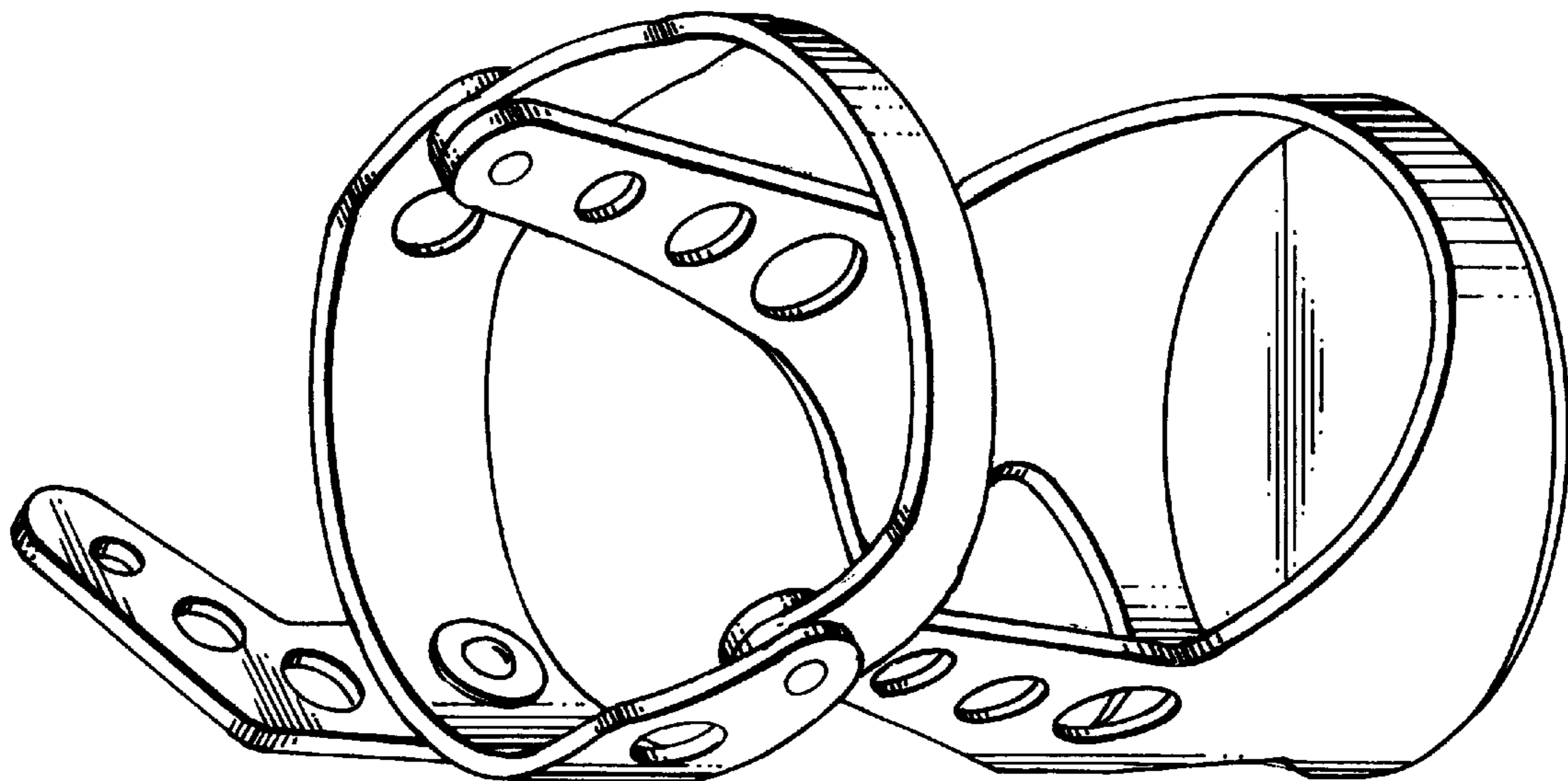


FIG. 2

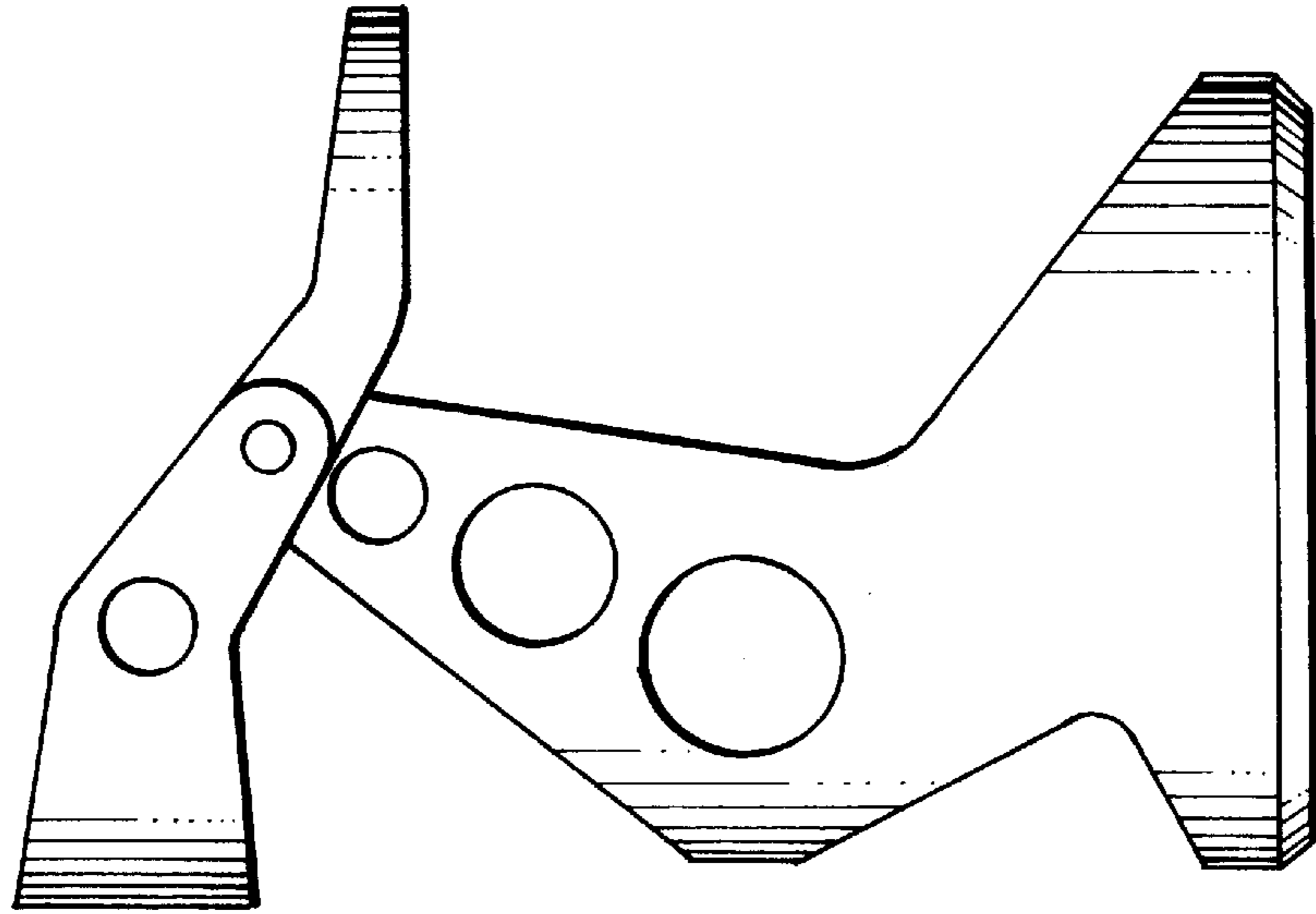


FIG. 1

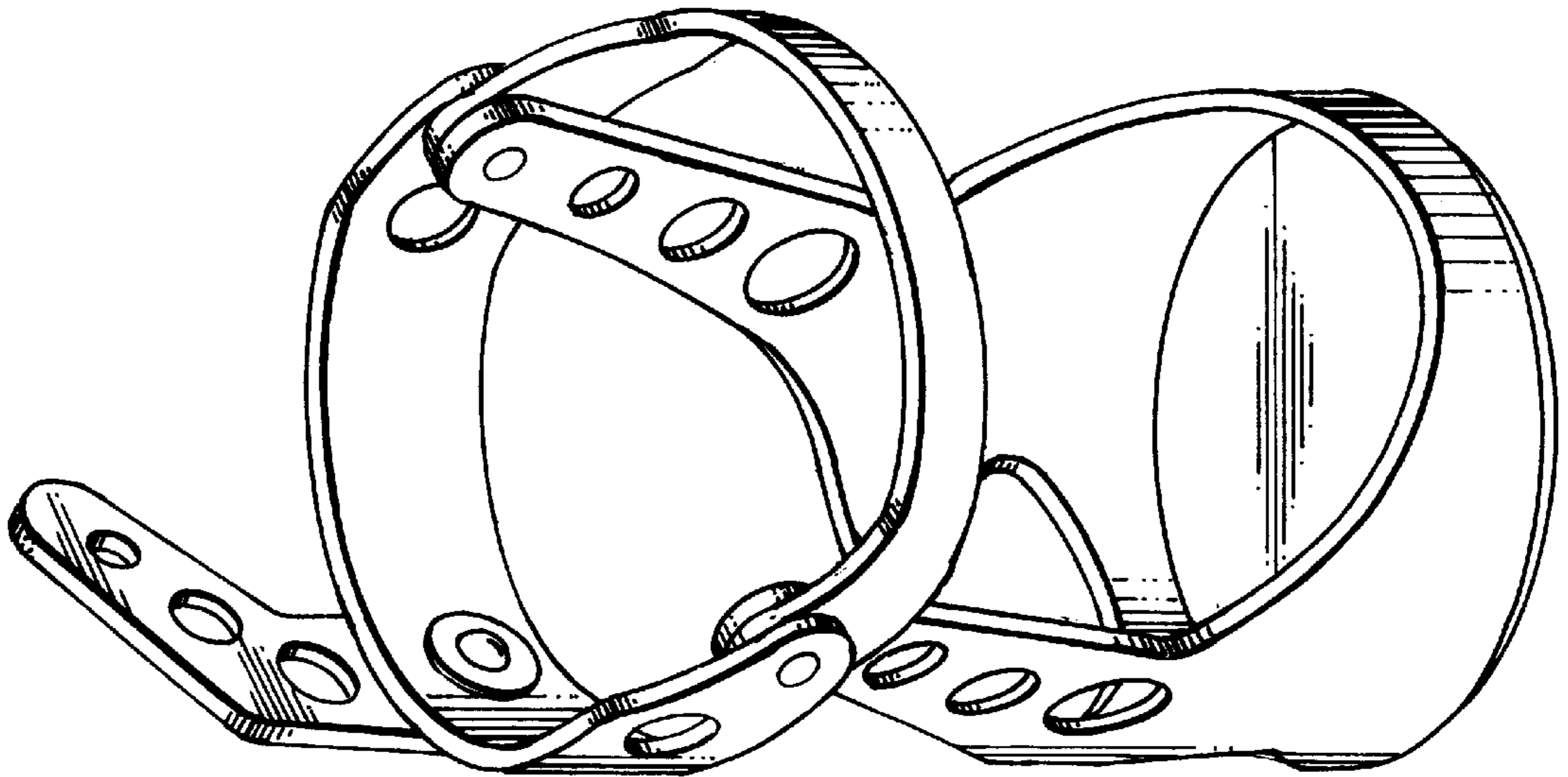


FIG. 3

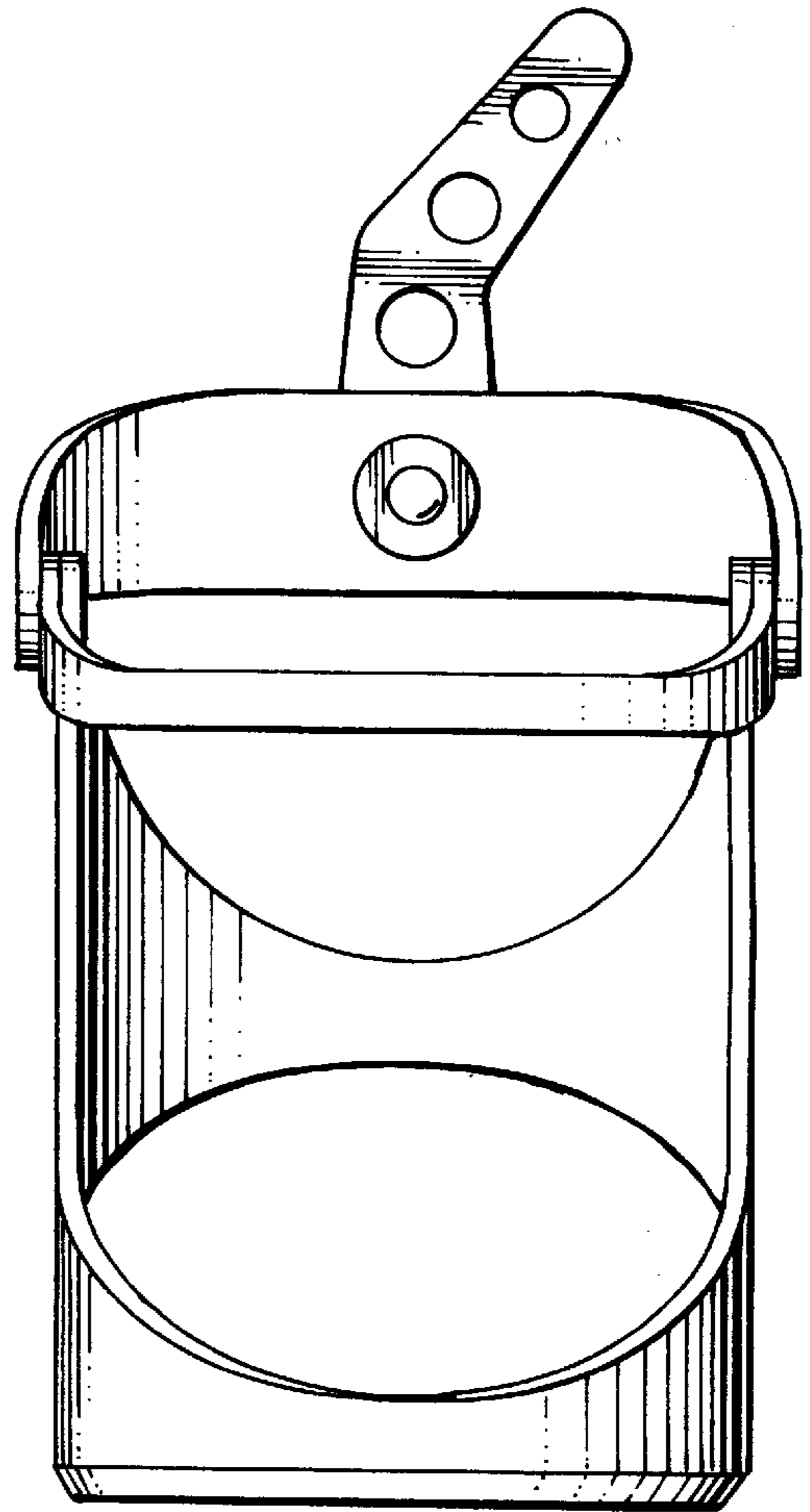
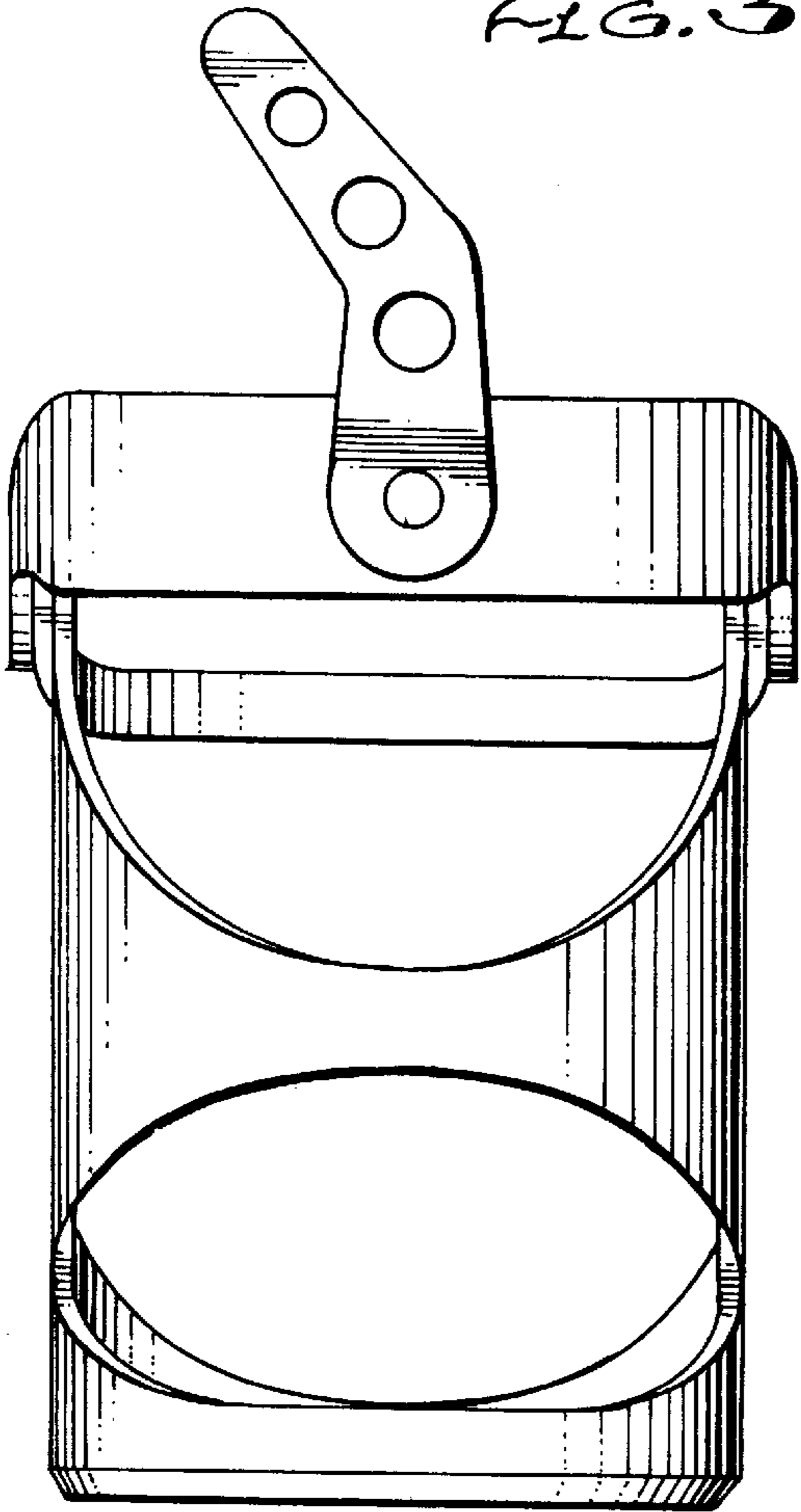


FIG. 4

FIG. 5

