



US00D445687S

(12) **United States Design Patent**
Gilbertson

(10) **Patent No.:** **US D445,687 S**

(45) **Date of Patent:** **** Jul. 31, 2001**

(54) **CONTAINER LID**

(75) Inventor: **Mark A. Gilbertson**, Sauk City, WI
(US)

(73) Assignee: **The Pampered Chef, Ltd.**, Addison, IL
(US)

(**) Term: **14 Years**

(21) Appl. No.: **29/119,375**

(22) Filed: **Feb. 28, 2000**

(51) **LOC (7) Cl.** **09-07**

(52) **U.S. Cl.** **D9/454; D9/443; D7/392.1**

(58) **Field of Search** D9/416, 435, 443,
D9/454; D7/601, 602, 391, 392.1, 538,
540; 220/780, 781, 793, 309.1, 315, 316

(56) **References Cited**

U.S. PATENT DOCUMENTS

D. 249,935	*	10/1978	Williams	D9/454
D. 282,616	*	2/1986	Gallagher et al.	D7/392.1
D. 313,754	*	1/1991	Pomroy	D9/435
D. 339,958	*	10/1993	Olsen et al.	D7/392.1
D. 362,594	*	9/1995	McEntee	D7/538
D. 415,652	*	10/1999	Loew et al.	D7/392.1

D. 416,754	*	11/1999	Laib	D7/392.1
D. 417,817	*	12/1999	Loew et al.	D7/392.1
D. 421,202	*	2/2000	Demers	D7/538
3,090,537	*	5/1963	Pasciak	D9/443 X
4,471,880	*	9/1984	Taylor et al.	220/792
4,809,868	*	3/1989	Pomroy	220/260
5,147,059	*	9/1992	Olsen et al.	220/281
6,168,044	*	1/2001	Zettle et al.	220/784

* cited by examiner

Primary Examiner—Cathron Brooks

(74) *Attorney, Agent, or Firm*—Olson & Hierl, Ltd.

(57) **CLAIM**

The ornamental design for a container lid, as shown and described.

DESCRIPTION

FIG. 1 is a perspective view of the inventive design for a container lid;

FIG. 2 is a side elevational view of the FIG. 1 design, the opposite side being the mirror image;

FIG. 3 is a top plan view of the FIG. 1 design;

FIG. 4 is a bottom plan view of the FIG. 1 design;

FIG. 5 is a front elevational view of the FIG. 1 design; and,

FIG. 6 is a rear elevational view of the FIG. 1 design.

1 Claim, 2 Drawing Sheets

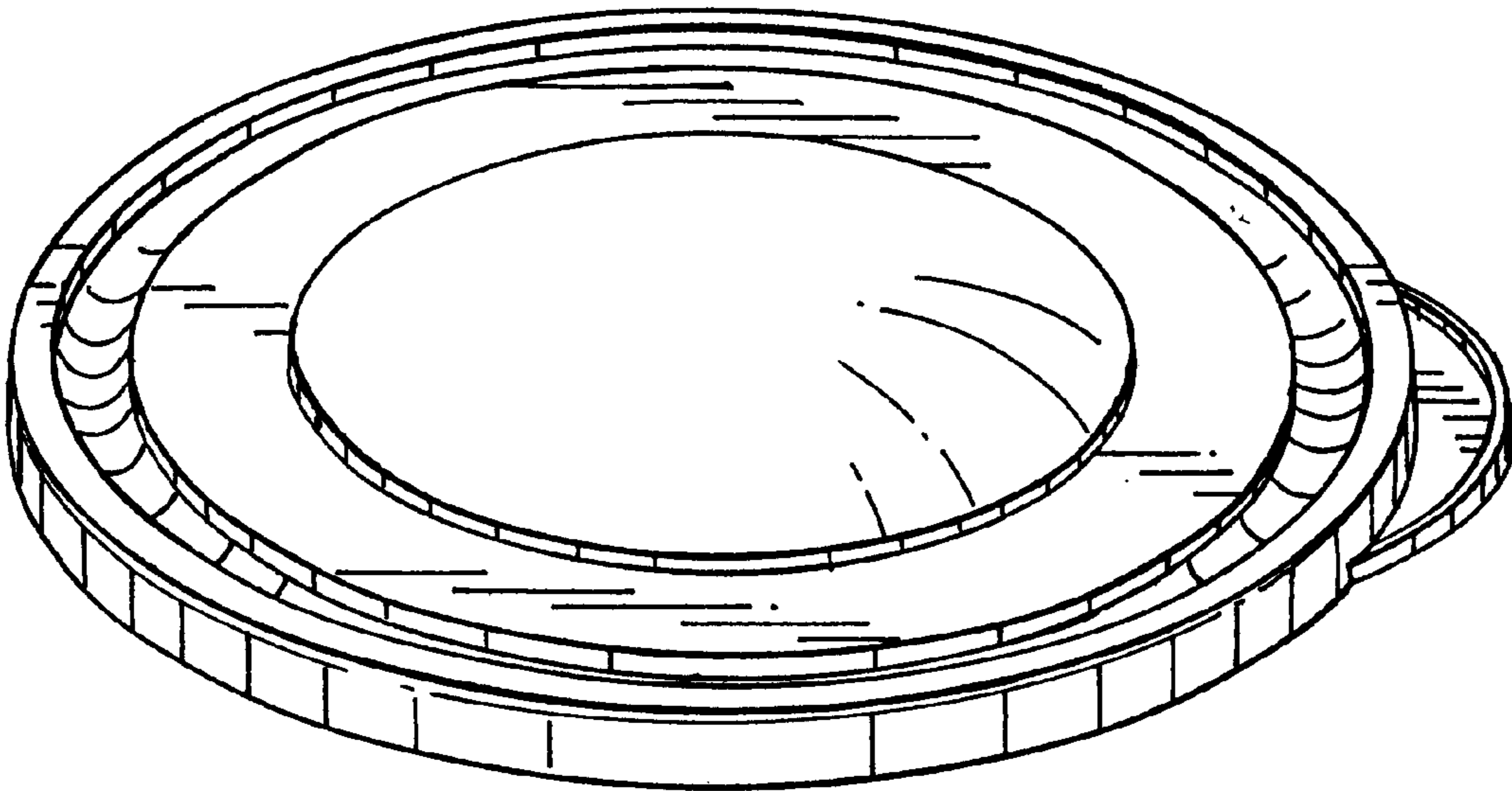


FIG. 1

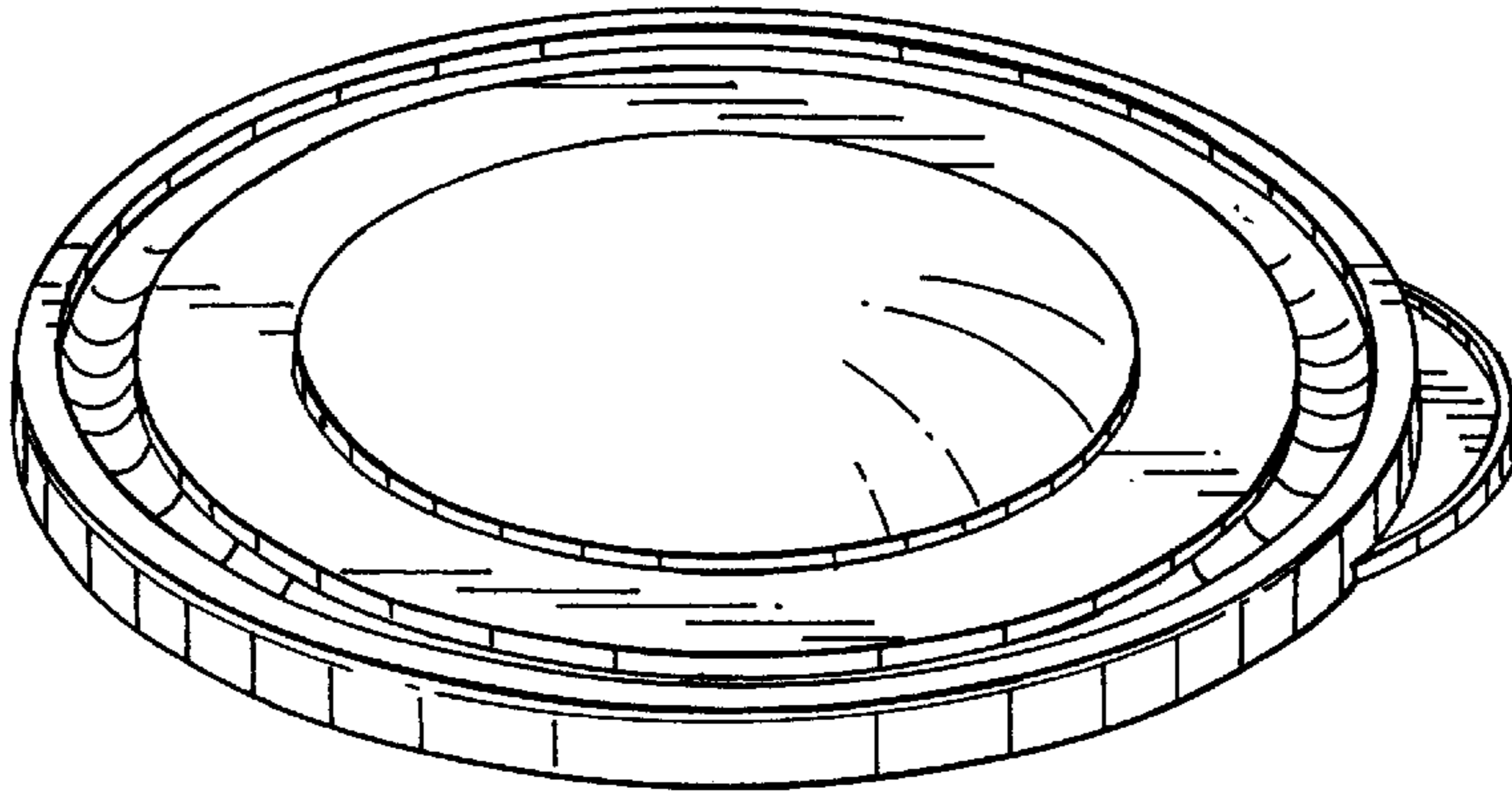


FIG. 2

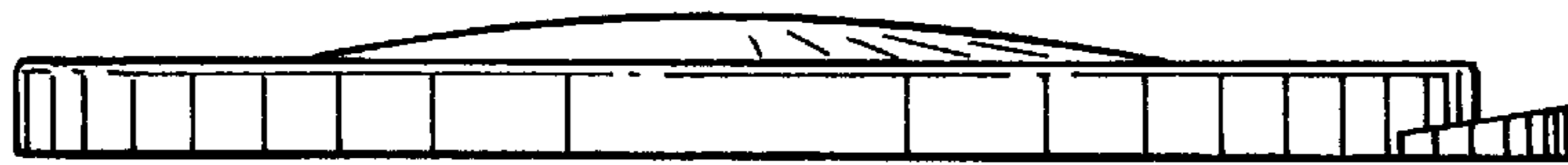


FIG. 3

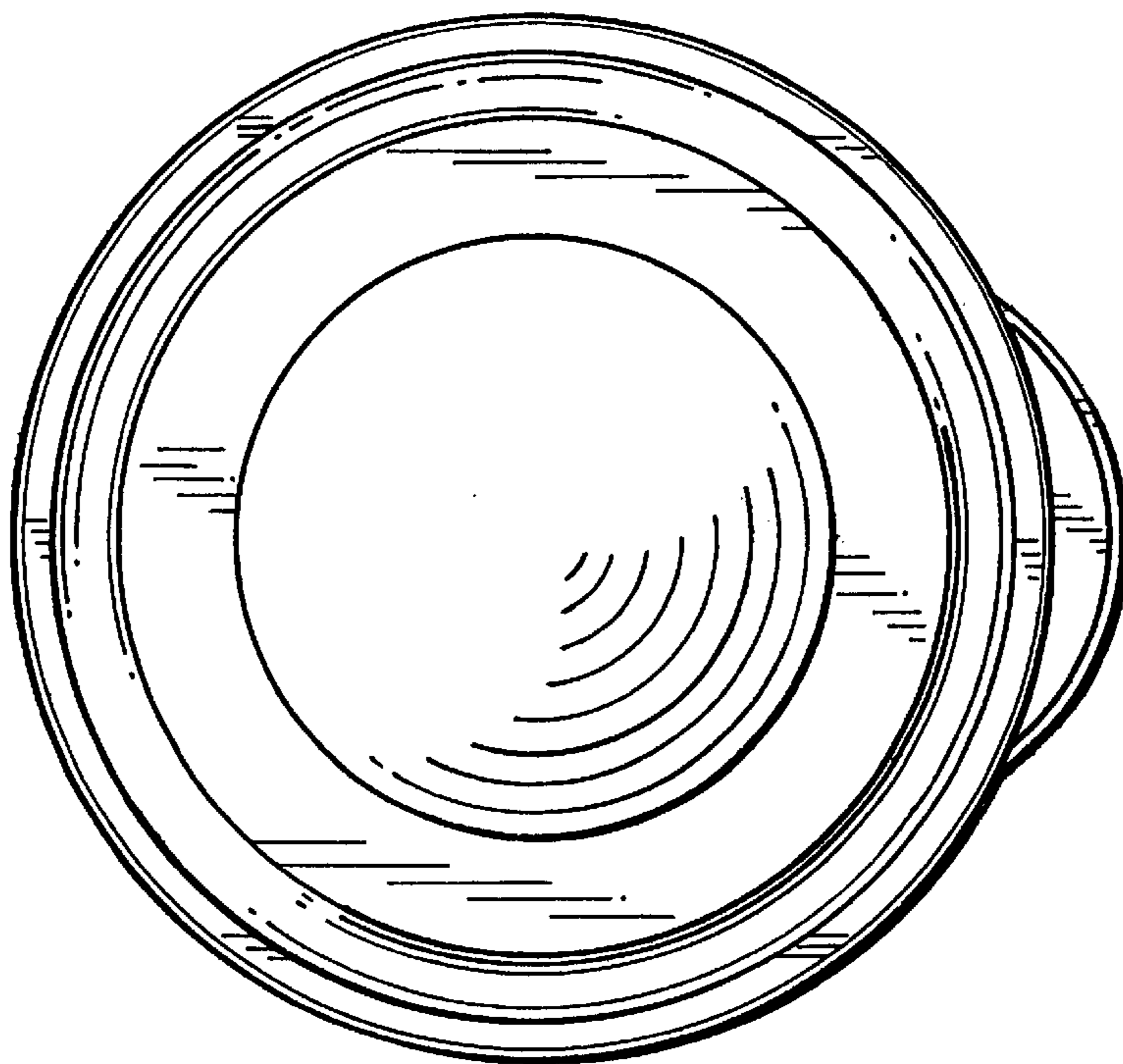


FIG. 4

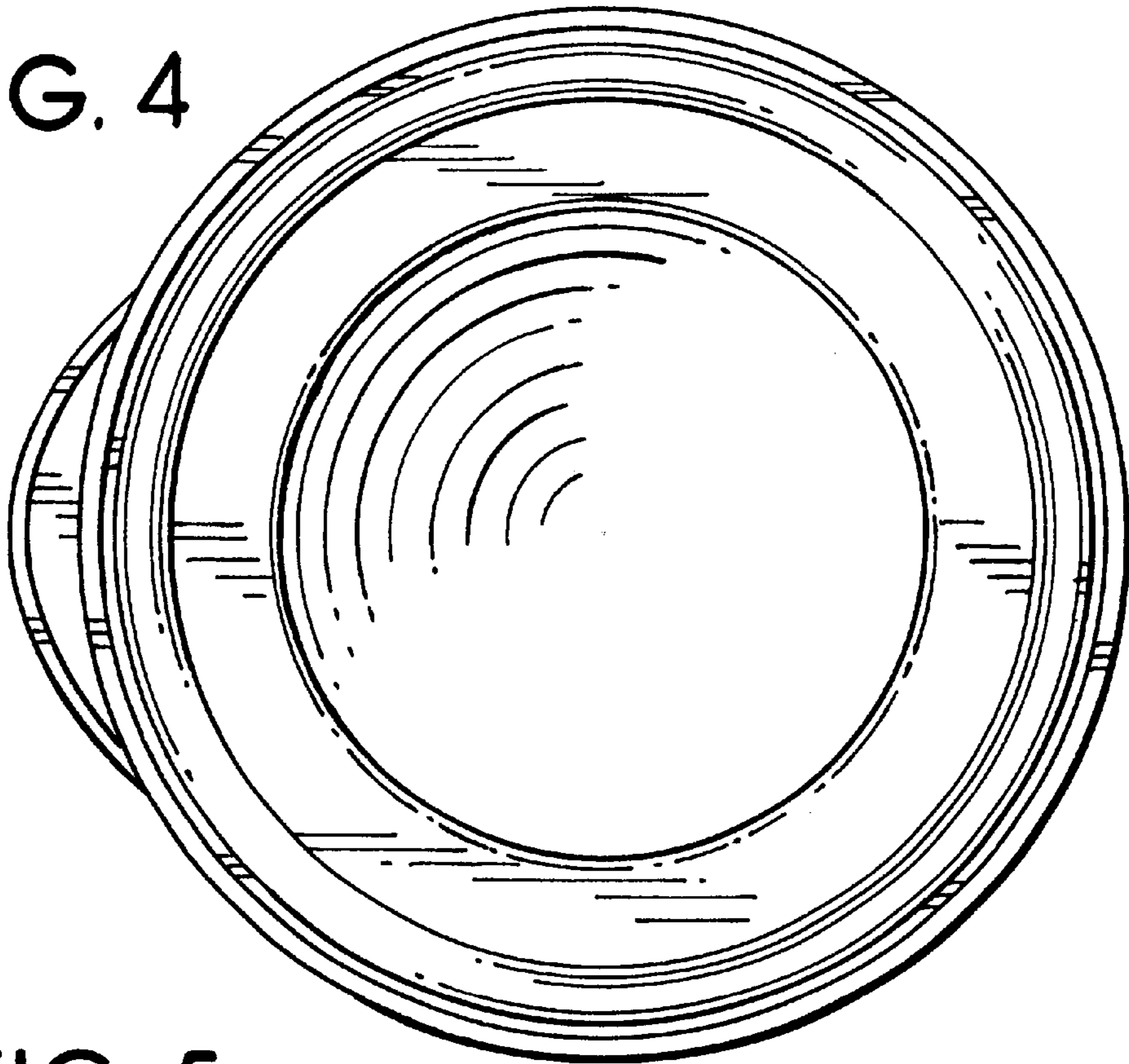


FIG. 5

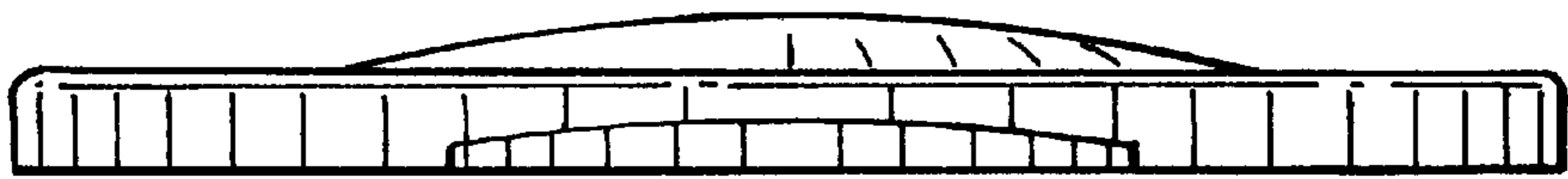


FIG. 6

