



US00D445684S

(12) **United States Design Patent**
Key

(10) **Patent No.:** **US D445,684 S**

(45) **Date of Patent:** **** Jul. 31, 2001**

(54) **PAINT CAN LID**

5,893,489 * 4/1999 Giarrante 222/482

(76) Inventor: **David W. Key**, P.O. Box 129, Ronda,
NC (US) 28670

* cited by examiner

(**) Term: **14 Years**

Primary Examiner—Cathron C. Brooks

(74) *Attorney, Agent, or Firm*—Peter A. Borsari

(21) Appl. No.: **29/129,341**

(57) **CLAIM**

(22) Filed: **Sep. 14, 2000**

The ornamental design for a paint can lid, as shown and described.

(51) **LOC (7) Cl.** **09-07**

DESCRIPTION

(52) **U.S. Cl.** **D9/447; D9/446**

(58) **Field of Search** D9/435, 436, 440,
D9/446, 447, 449, 454; 220/254, 700, 701;
222/566, 567, 568, 570

FIG. 1 is perspective view showing a new design for a paint can lid;

FIG. 2 is a side view thereof;

FIG. 3 is a front view thereof;

FIG. 4 is a rear view thereof;

FIG. 5 is a top view thereof; and,

FIG. 6 is a bottom view thereof.

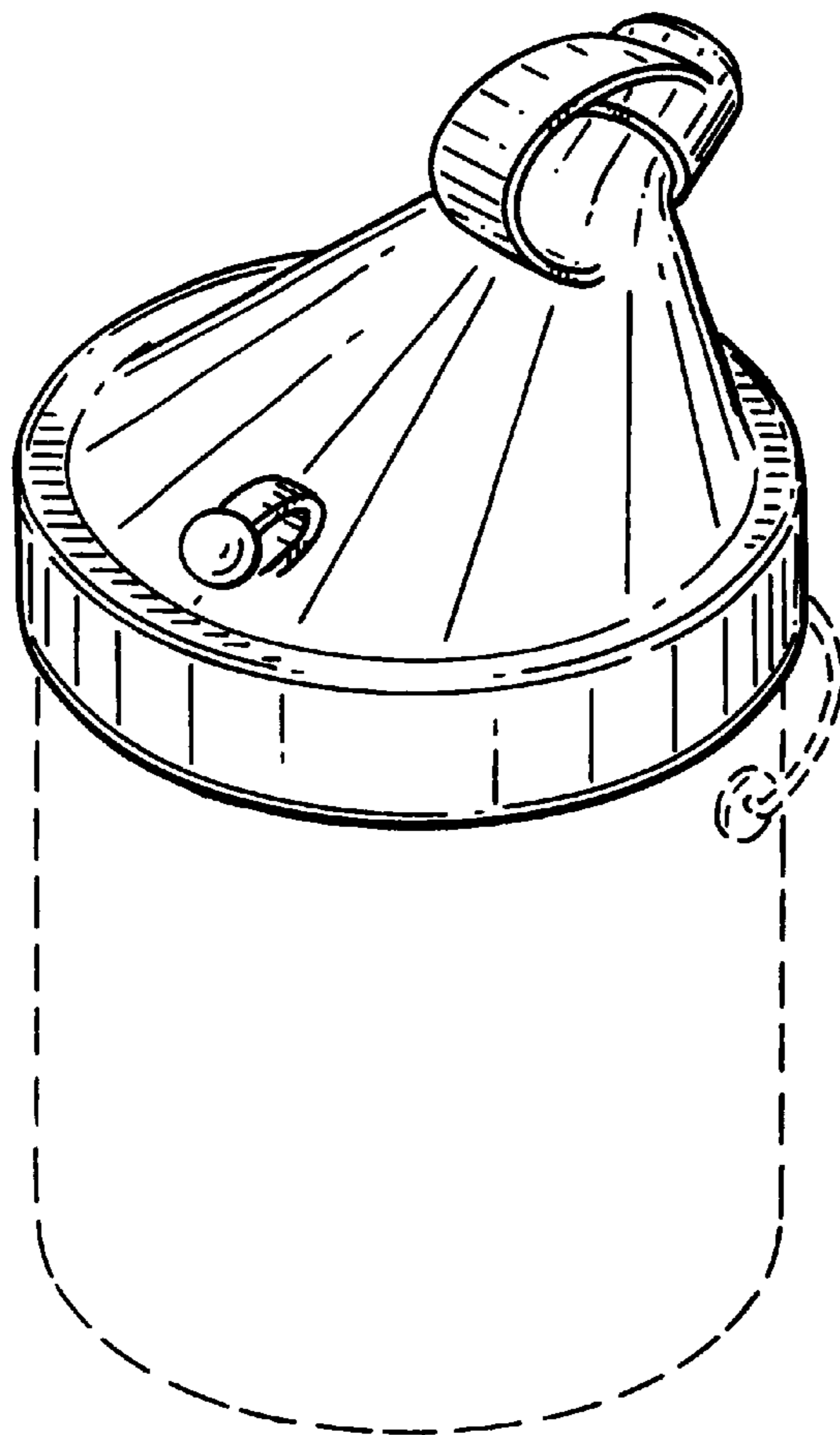
(56) **References Cited**

U.S. PATENT DOCUMENTS

D. 234,123	*	1/1975	Ragagli	D9/447
D. 293,083	*	12/1987	Gloor	D9/446
D. 398,233	*	9/1998	Wood	D9/447
5,549,227	*	8/1996	Klotz	222/461

The broken line showing of a paint can is for illustrative purposes only and forms no part of the claimed design.

1 Claim, 2 Drawing Sheets



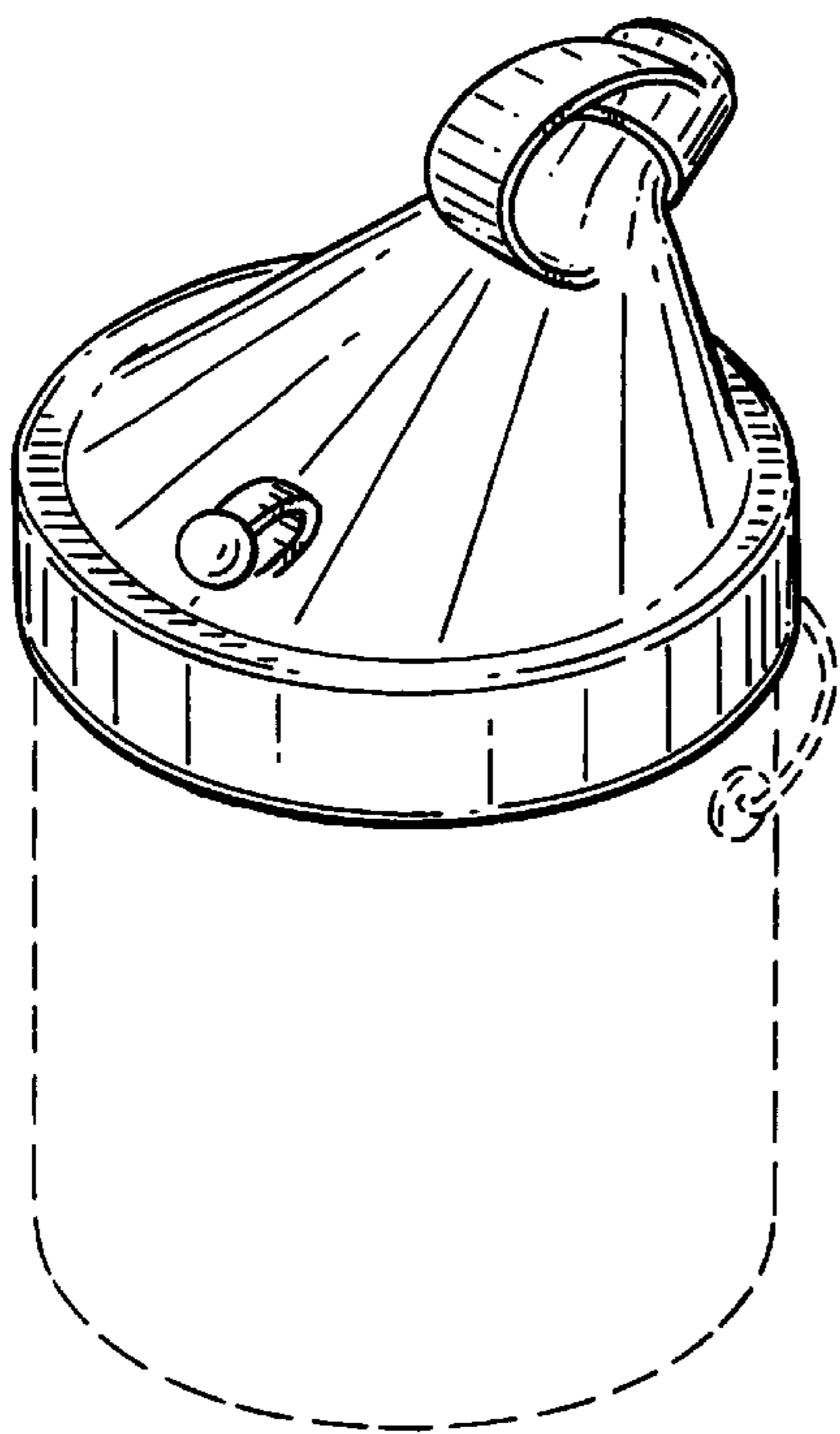


FIG. 1

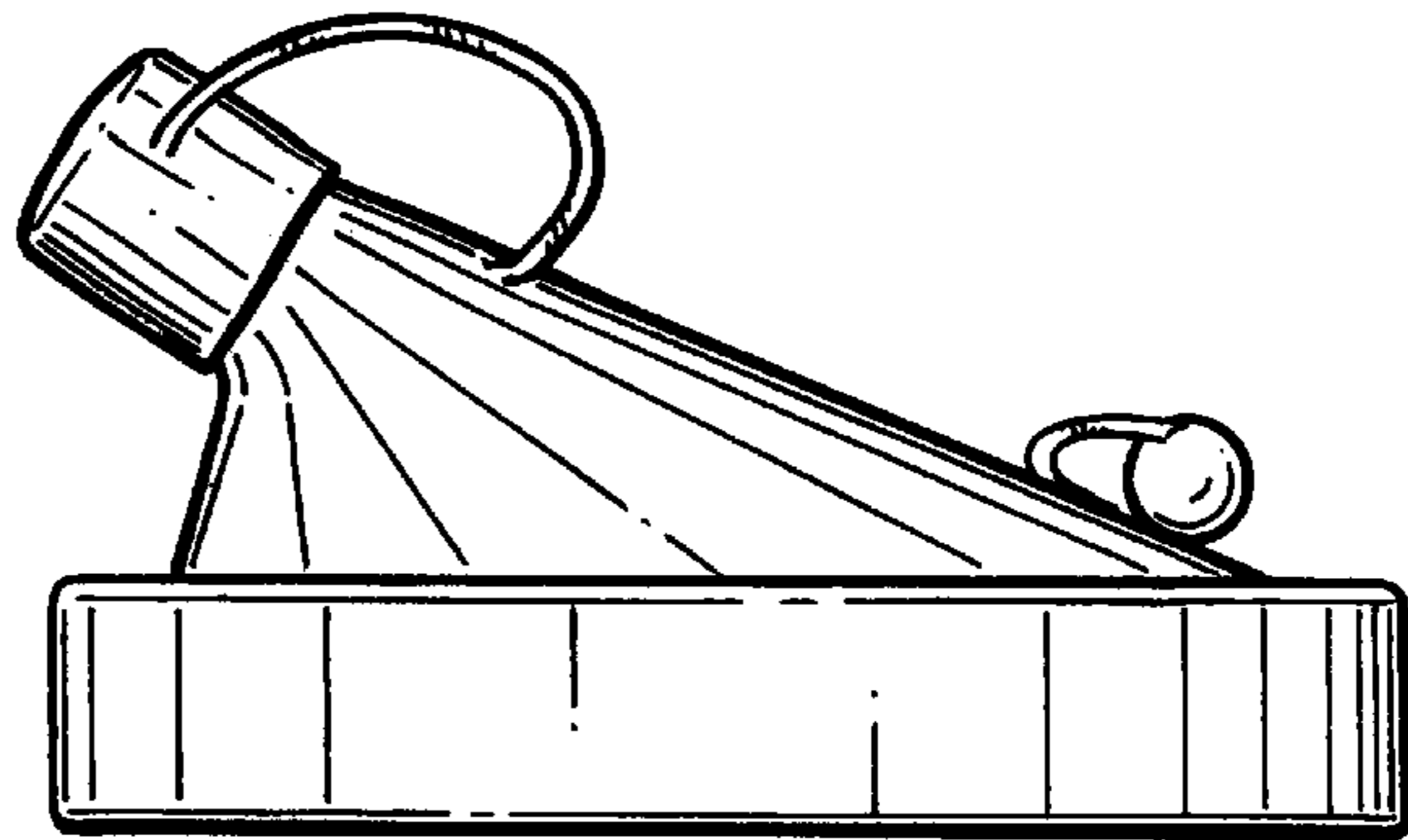


FIG. 2

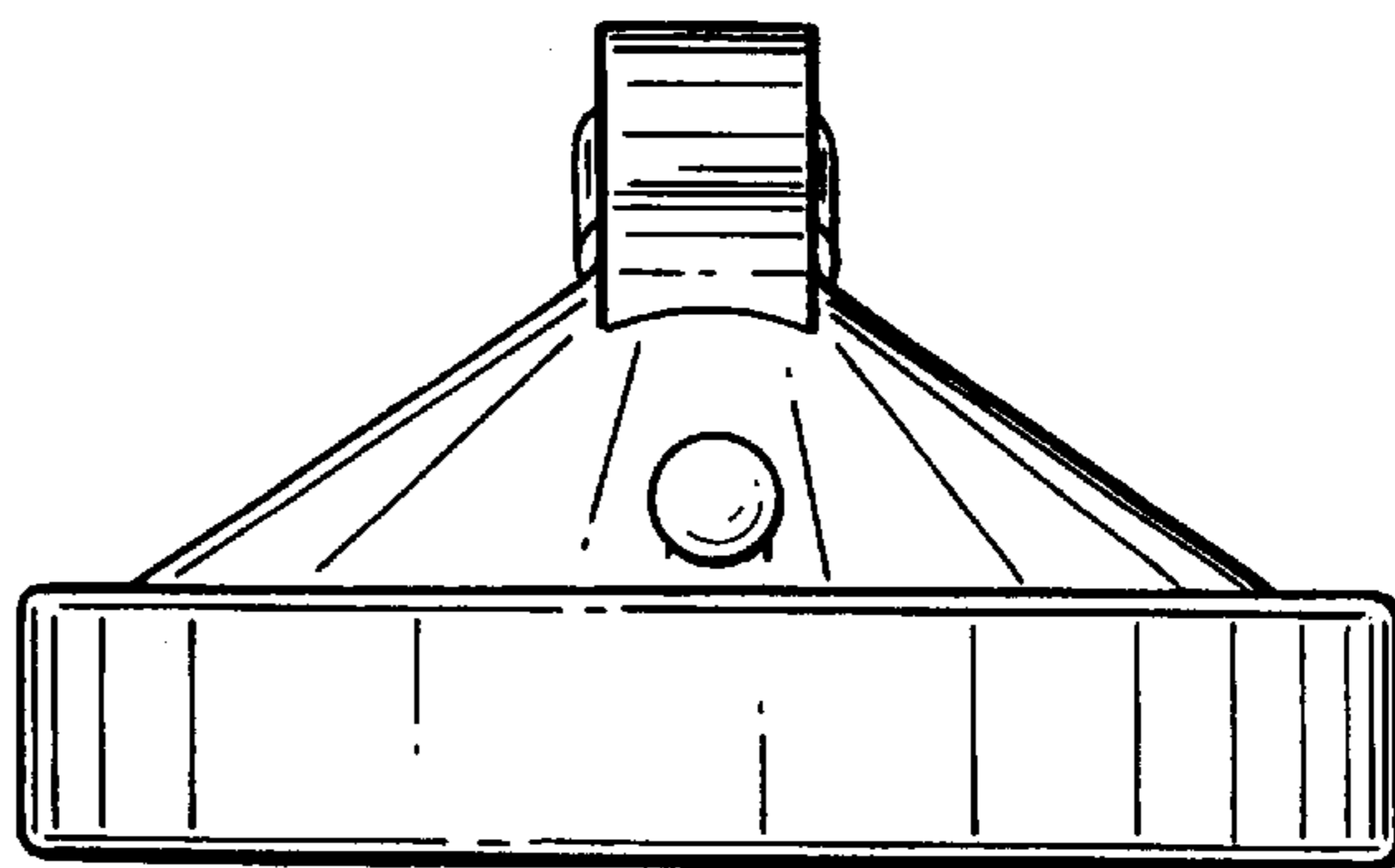


FIG. 3

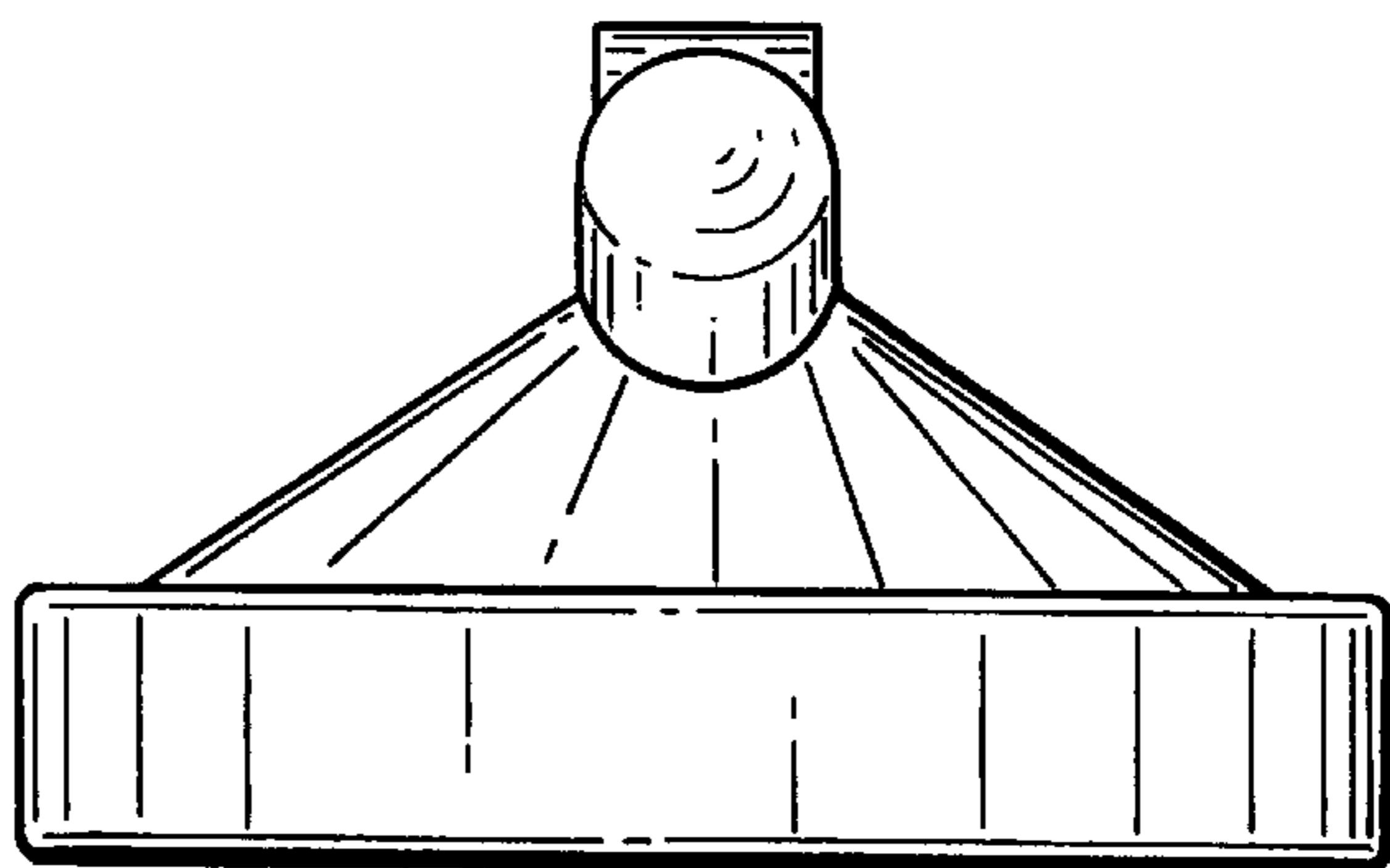


FIG. 4

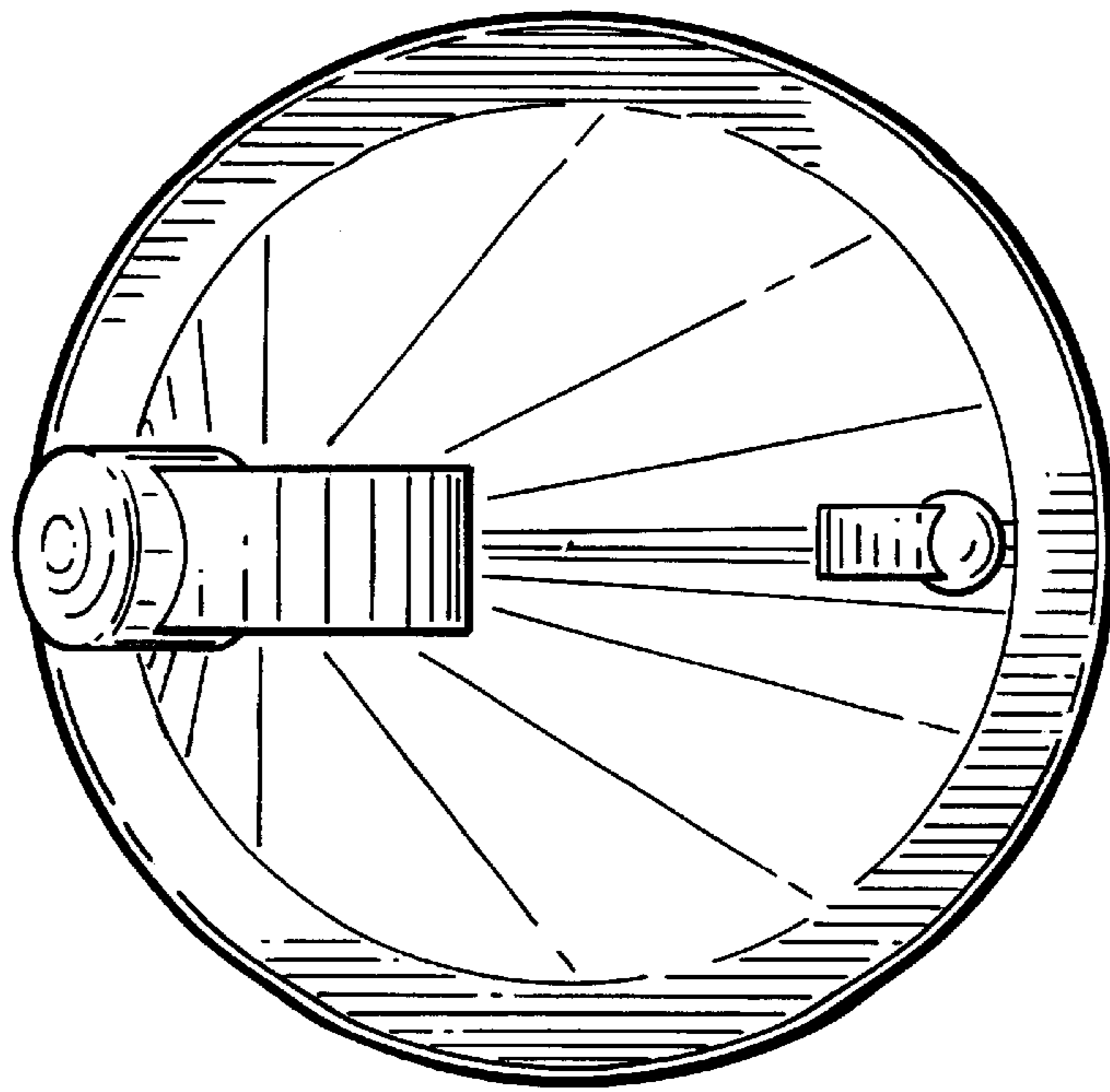


FIG. 5

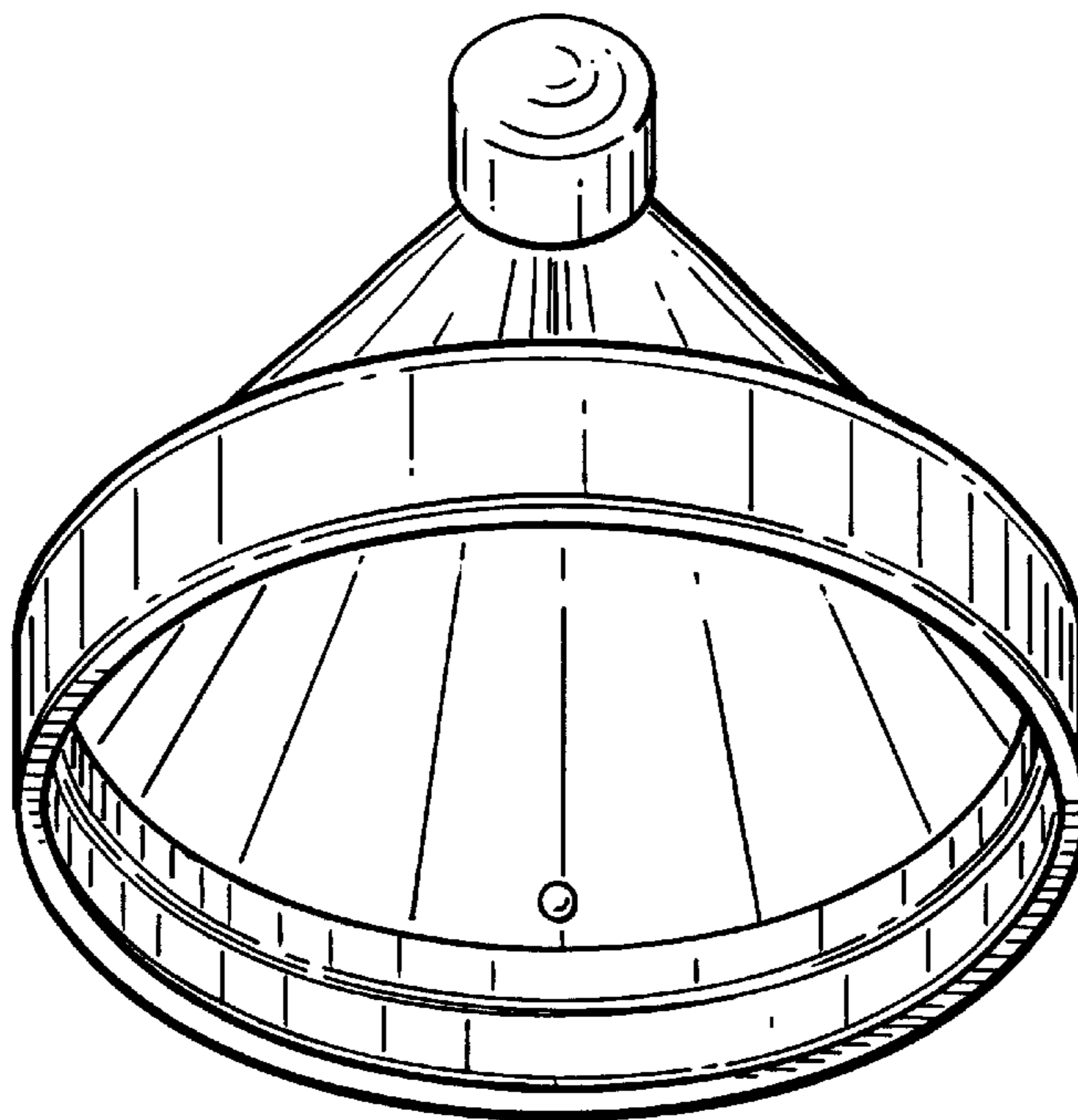


FIG. 6