



US00D445683S

(12) **United States Design Patent**  
**Michael et al.**

(10) **Patent No.:** **US D445,683 S**

(45) **Date of Patent:** **\*\* Jul. 31, 2001**

(54) **KEY PRONGS FOR BOTTLE SECURITY DEVICE**

(75) Inventors: **Robert L. Michael**, Canton; **Nicholas M. Sedon**, Massillon; **Christopher G. Gallagher**, Akron; **Dennis D. Belden, Jr.**, Canton; **Michael S. Jaeb**, Millersburg, all of OH (US)

(73) Assignee: **Alpha Security Products, Inc.**, North Canton, OH (US)

(\*\*) Term: **14 Years**

(21) Appl. No.: **29/137,930**

(22) Filed: **Mar. 1, 2001**

**Related U.S. Application Data**

(60) Division of application No. 29/120,521, filed on Mar. 20, 2000, which is a continuation-in-part of application No. 09/338,819, filed on Jun. 23, 1999.

(60) Provisional application No. 60/090,479, filed on Jun. 24, 1998.

(51) **LOC (7) Cl.** ..... **09-07**

(52) **U.S. Cl.** ..... **D9/443**

(58) **Field of Search** ..... D9/434, 435, 436, D9/443, 445, 454; 215/207, 295; 220/315

(56) **References Cited**

**U.S. PATENT DOCUMENTS**

378,907 \* 3/1888 Stepp ..... 215/297

D. 428,302	*	7/2000	Miller	.....	D7/396.1
1,463,145	*	7/1923	Koss	.....	215/295
4,182,458	*	1/1980	Meckler	.....	215/307
4,731,512	*	3/1988	Barriac	.....	215/220
5,040,694	*	8/1991	Gambello	.....	220/255
5,429,257	*	7/1995	Greenfield et al.	.....	215/295
5,704,502	*	1/1998	Greenfield	.....	215/295
5,893,480	*	4/1999	Dore et al.	.....	220/784

**OTHER PUBLICATIONS**

U.S. patent application No. 29/120,521 filed Mar. 30, 2000.

U.S. patent application No. 09/338,819 filed Jun. 23, 1999.

\* cited by examiner

*Primary Examiner*—Cathron C. Brooks

(74) *Attorney, Agent, or Firm*—Sand & Sebolt

(57) **CLAIM**

The ornamental design for key prongs for bottle security device, as shown and described.

**DESCRIPTION**

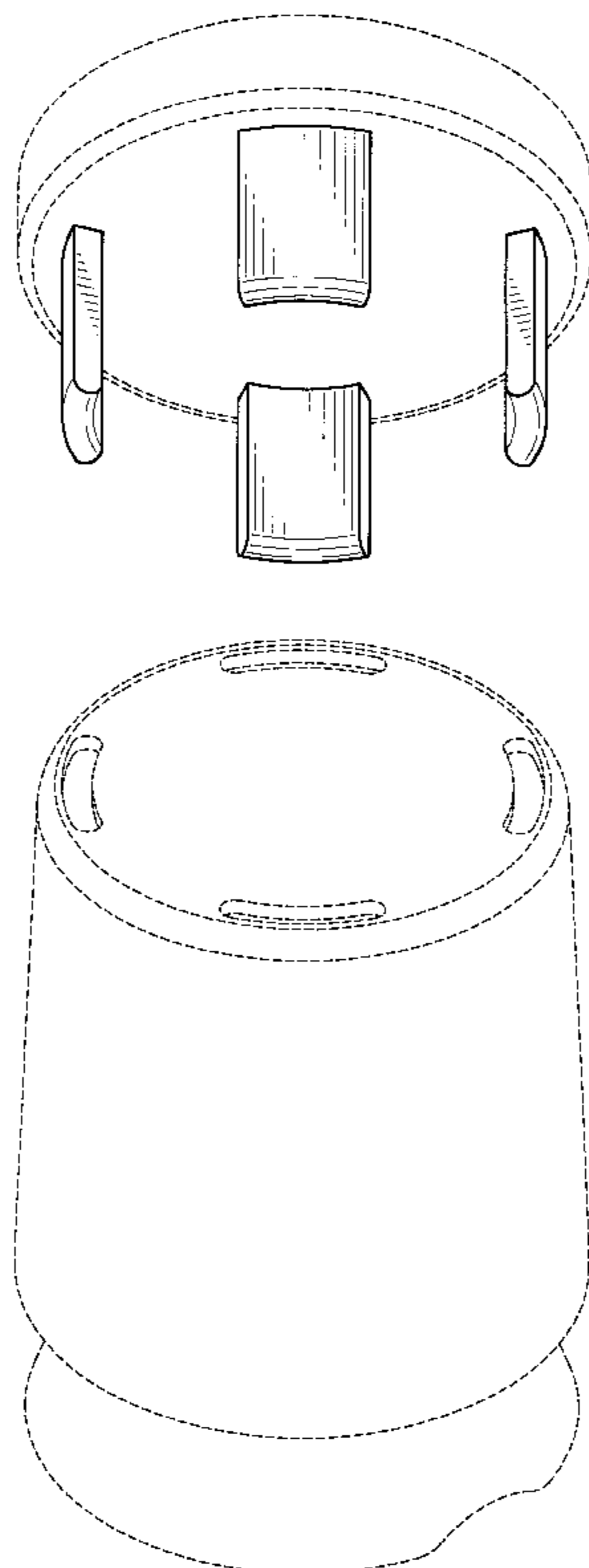
FIG. 1 is a perspective view of the key prongs for a bottle security device according to the concepts of the present invention.

FIG. 2 is a front elevation view of the key prongs for the bottle security device of FIG. 1; and,

FIG. 3 is a right side elevation view of FIG. 2.

The broken lines are for illustrative purposes only and form no part of the claimed design.

**1 Claim, 2 Drawing Sheets**



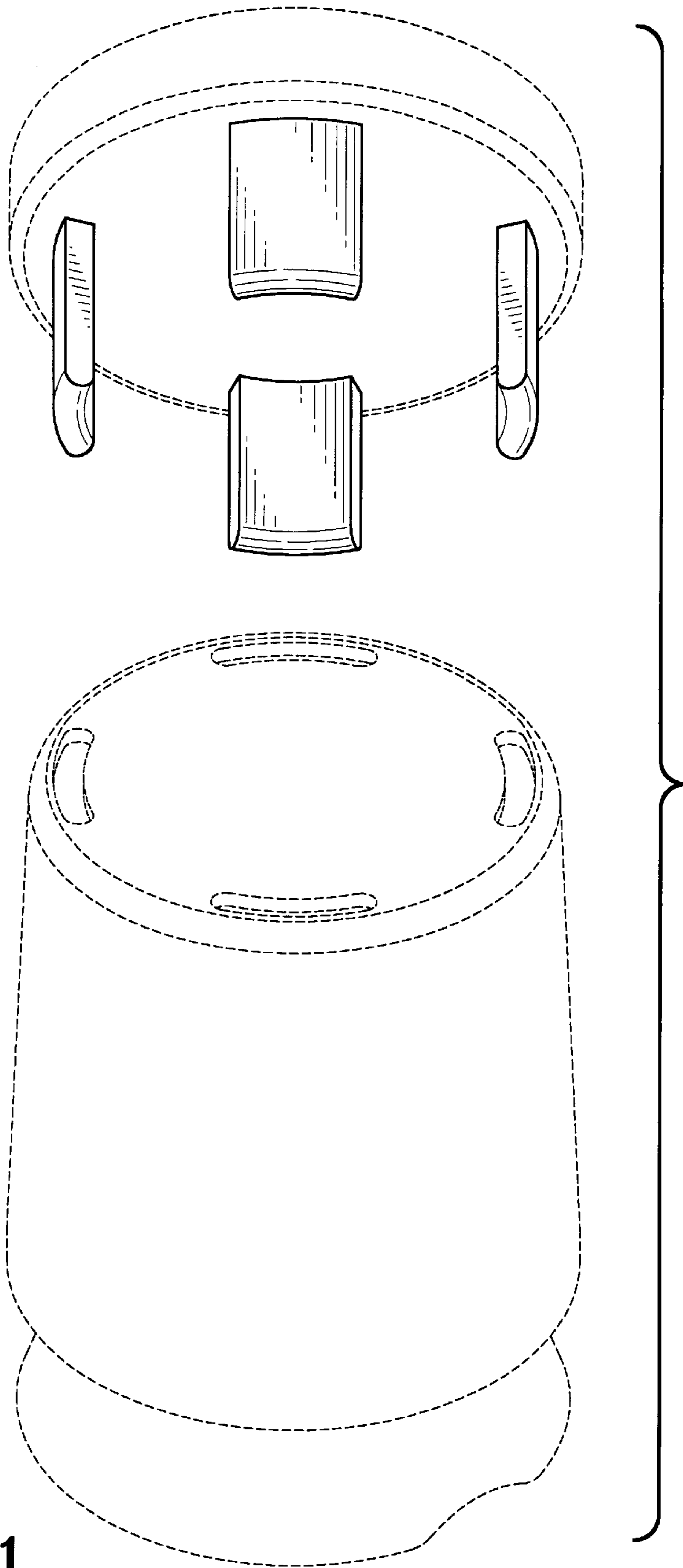


FIG-1

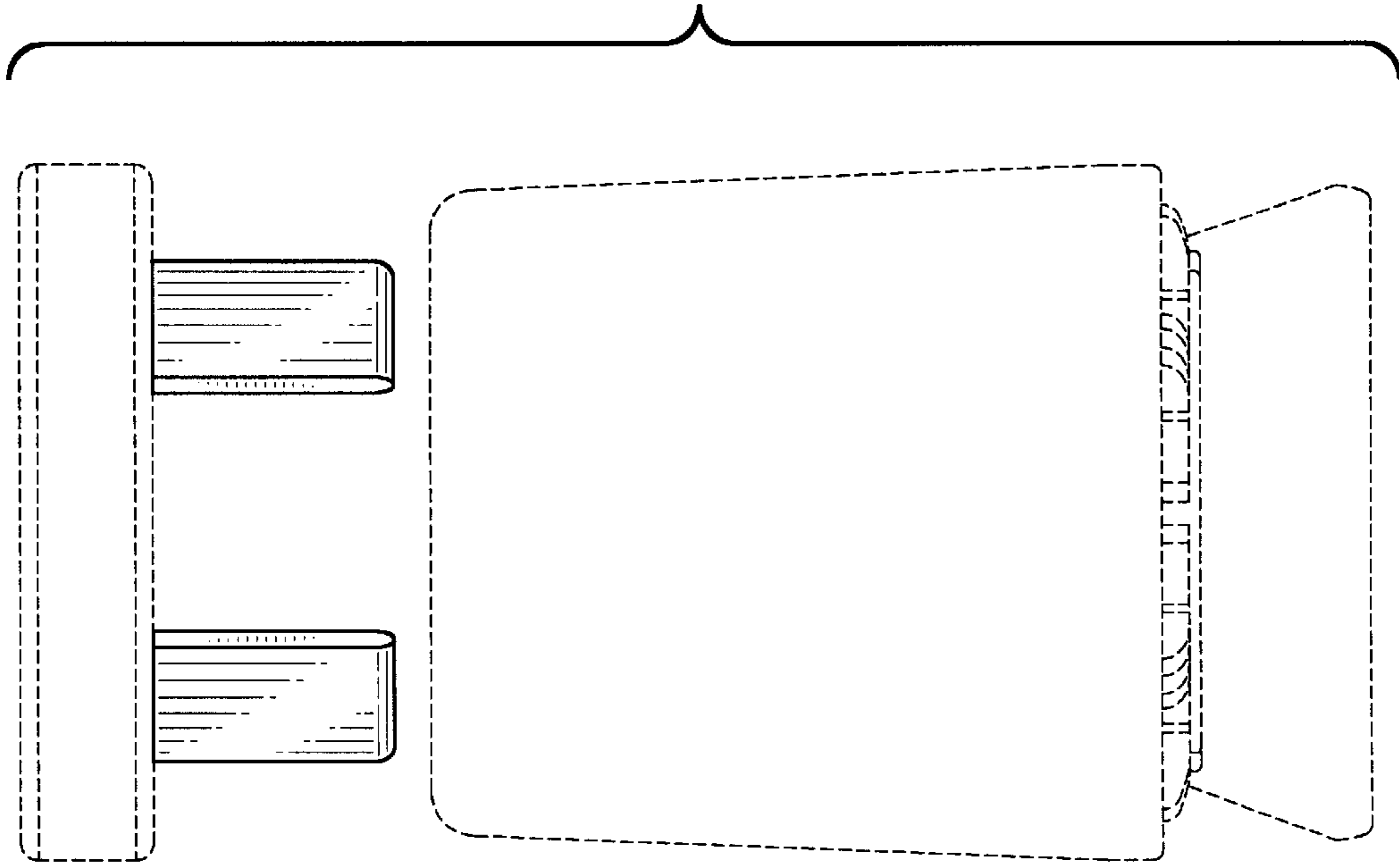


FIG-3

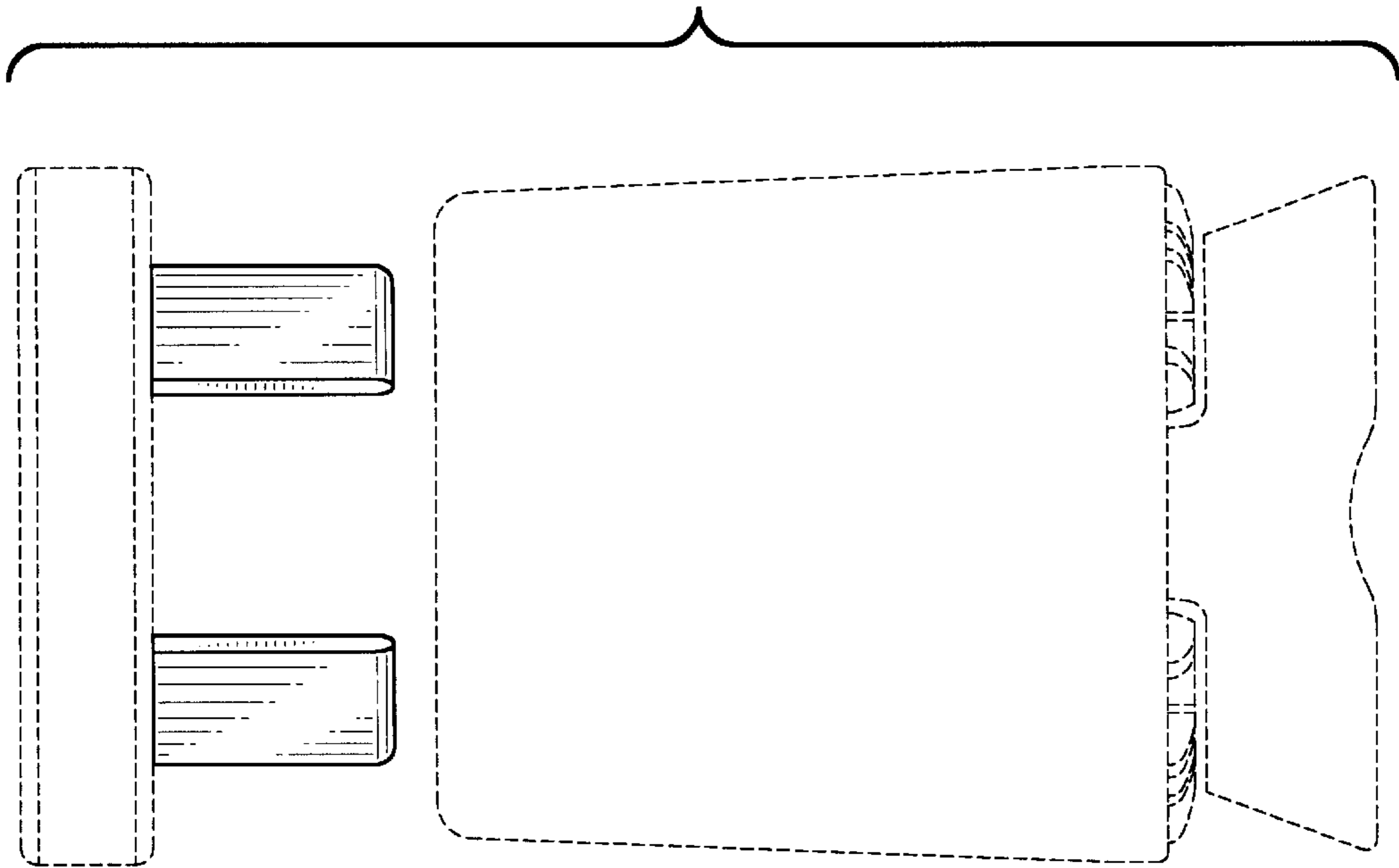


FIG-2