



US00D445682S

(12) **United States Design Patent** (10) **Patent No.:** **US D445,682 S**
Michael et al. (45) **Date of Patent:** **** Jul. 31, 2001**

(54) **BOTTLE SECURITY DEVICE AND KEY**
(75) Inventors: **Robert L. Michael**, Canton; **Nicholas M. Sedon**, Massillon; **Christopher G. Gallagher**, Akron; **Dennis D. Belden, Jr.**, Canton; **Michael S. Jaeb**, Millersburg, all of OH (US)
(73) Assignee: **Alpha Security Products, Inc.**, North Canton, OH (US)

D. 422,914	*	4/2000	Lasky	D9/451
1,193,158	*	8/1916	Laguionie	215/250
1,453,601	*	5/1923	Powell	215/253
1,463,145	*	7/1923	Koss	215/295
4,172,532	*	10/1979	Palsson	215/215
4,731,512	*	3/1988	Barriac	215/220
5,040,694	*	8/1991	Gambello	220/255
5,429,257	*	7/1995	Greenfield et al.	215/295
5,704,502	*	1/1998	Greenfield	215/295

(**) Term: **14 Years**
(21) Appl. No.: **29/137,929**
(22) Filed: **Mar. 1, 2001**

* cited by examiner

Primary Examiner—Cathron C. Brooks
(74) *Attorney, Agent, or Firm*—Sand & Sebolt

Related U.S. Application Data

(60) Division of application No. 29/120,521, filed on Mar. 20, 2000, which is a continuation-in-part of application No. 09/338,819, filed on Jun. 23, 1999.
(51) **LOC (7) Cl.** **09-07**
(52) **U.S. Cl.** **D9/436; D9/443; D9/445**
(58) **Field of Search** D9/434, 435, 436, D9/443, 445, 454; 215/207, 295; 220/315

(57) **CLAIM**

The ornamental design for bottle security device and key, as shown and described.

DESCRIPTION

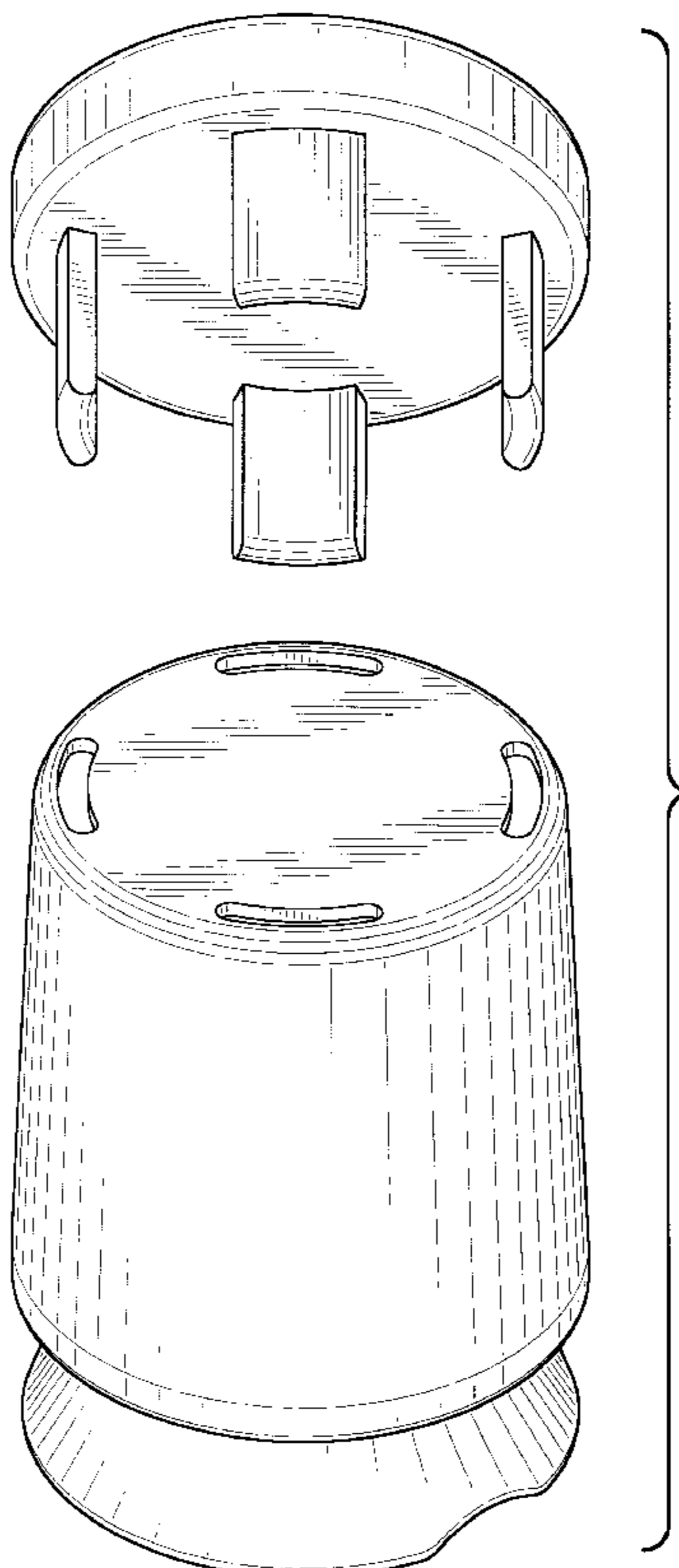
FIG. 1 is a perspective view of the bottle security device and key according to the concepts of the present invention.
FIG. 2 is a front elevation view of the bottle security device and key of FIG. 1; and,
FIG. 3 is a right side elevation view of FIG. 2.

(56) **References Cited**

U.S. PATENT DOCUMENTS

378,907 * 3/1888 Stepp 215/297

1 Claim, 2 Drawing Sheets



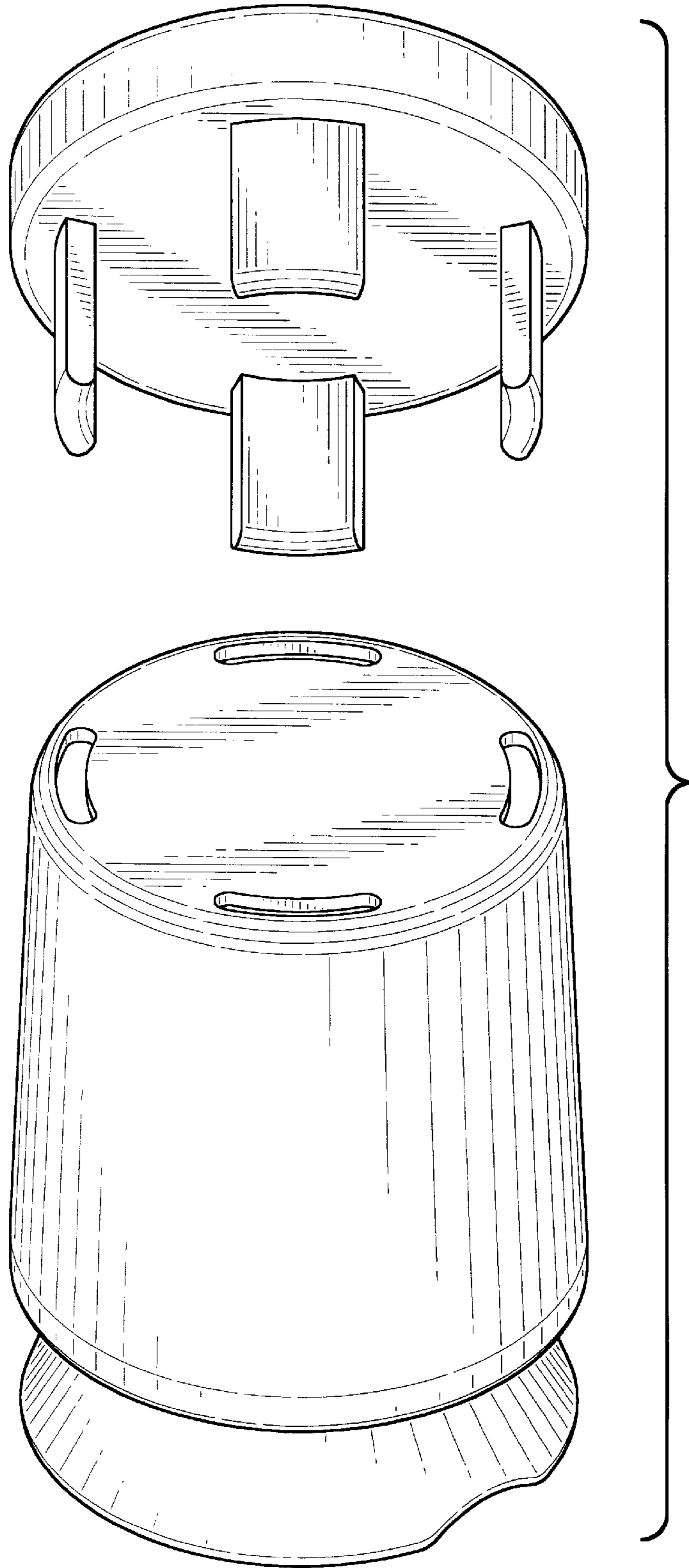


FIG-1

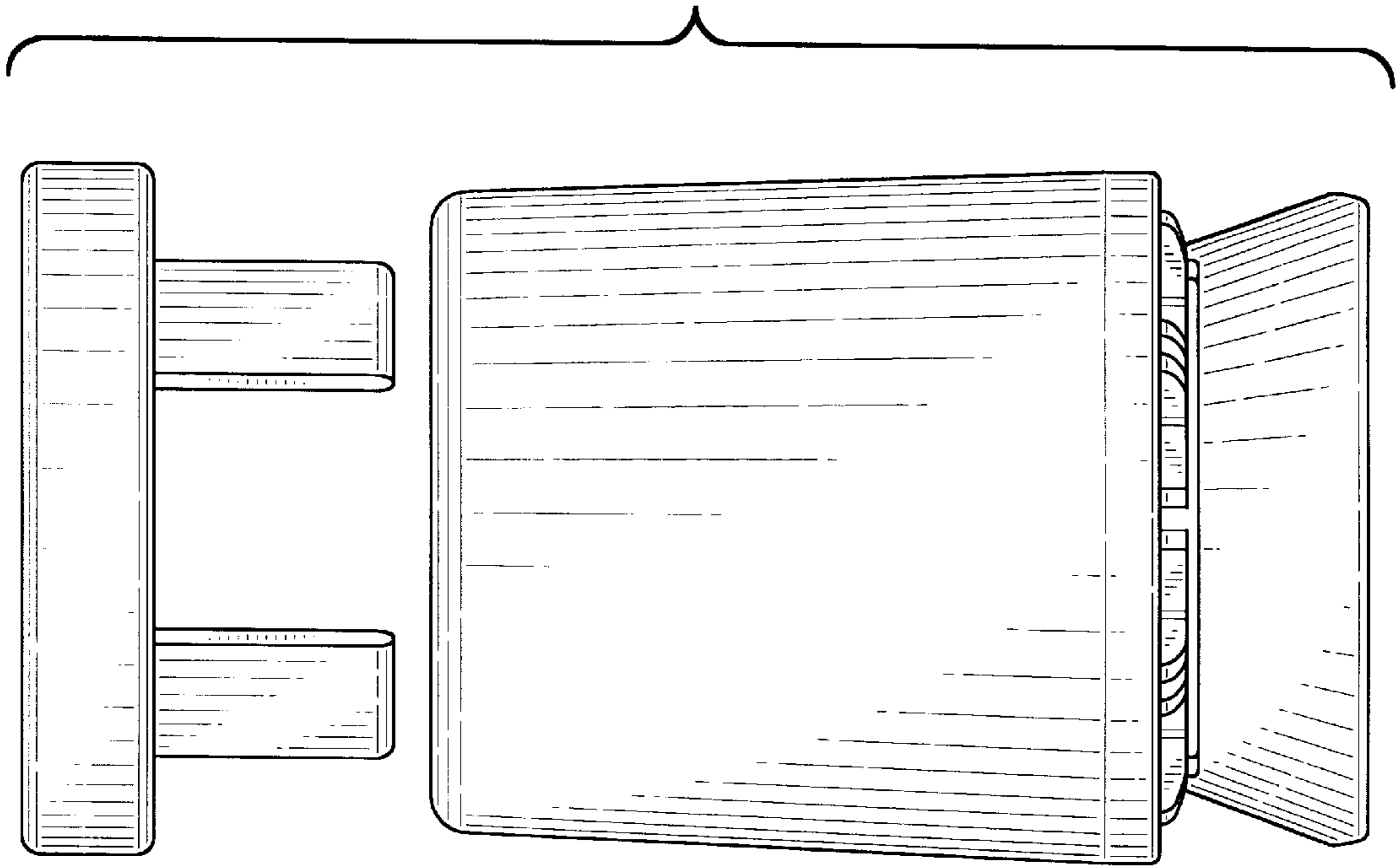


FIG-3

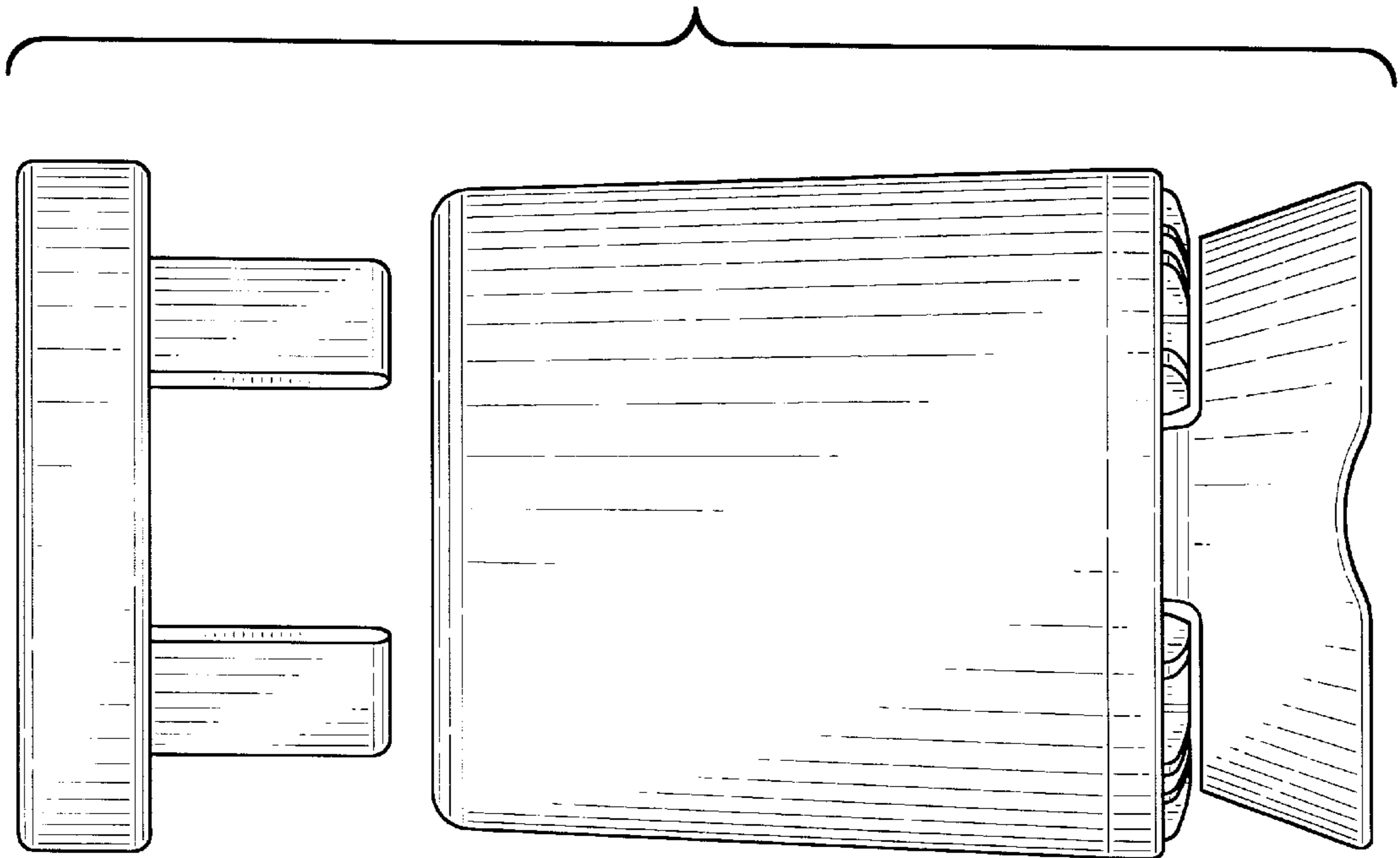


FIG-2