



US00D445679S

(12) **United States Design Patent**
Malmborg

(10) **Patent No.:** **US D445,679 S**

(45) **Date of Patent:** **** Jul. 31, 2001**

(54) **PART OF A SEALING DEVICE FOR A BOTTLE**

(75) Inventor: **Bengt Malmborg, Kågeröd (SE)**

(73) Assignee: **Modulpac AB, Lagan (SE)**

(**) Term: **14 Years**

(21) Appl. No.: **29/127,669**

(22) Filed: **Aug. 11, 2000**

(30) **Foreign Application Priority Data**

Feb. 11, 2000 (SE) 00-0273

(51) **LOC (7) Cl.** **09-07**

(52) **U.S. Cl.** **D9/434; D9/453; D9/448**

(58) **Field of Search** D9/434, 435, 443, D9/448, 453, 454, 300; 222/153.11, 153.12, 153.13, 153.14, 383.1, 383.2, 383.3, 383.4

(56) **References Cited**

U.S. PATENT DOCUMENTS

- D. 123,648 * 9/1940 Holdren D9/454
- D. 225,308 * 12/1972 Barefoot D9/454

- D. 268,905 * 5/1983 Douglas D9/531
- D. 290,323 * 6/1987 Weernink D7/511
- D. 417,397 * 12/1999 Forecast et al. D9/453
- D. 436,862 * 1/2000 Witt et al. D9/438
- 3,207,375 * 9/1965 Bereziat 222/541.2 X
- 5,180,073 * 1/1993 Fay et al. 215/261
- 5,875,908 * 3/1999 Witt et al. 215/256

* cited by examiner

Primary Examiner—Cathron C. Brooks

(74) *Attorney, Agent, or Firm*—Birch, Stewart, Kolasch & Birch, LLP

(57) **CLAIM**

The ornamental design for a part of a sealing device for a bottle, as shown and described.

DESCRIPTION

FIG. 1 is a top perspective view of a part of a sealing device for a bottle showing my new design; FIG. 2 is a bottom perspective view thereof; FIG. 3 is a side elevational view thereof; and, FIG. 4 is a top plan view thereof.

1 Claim, 4 Drawing Sheets

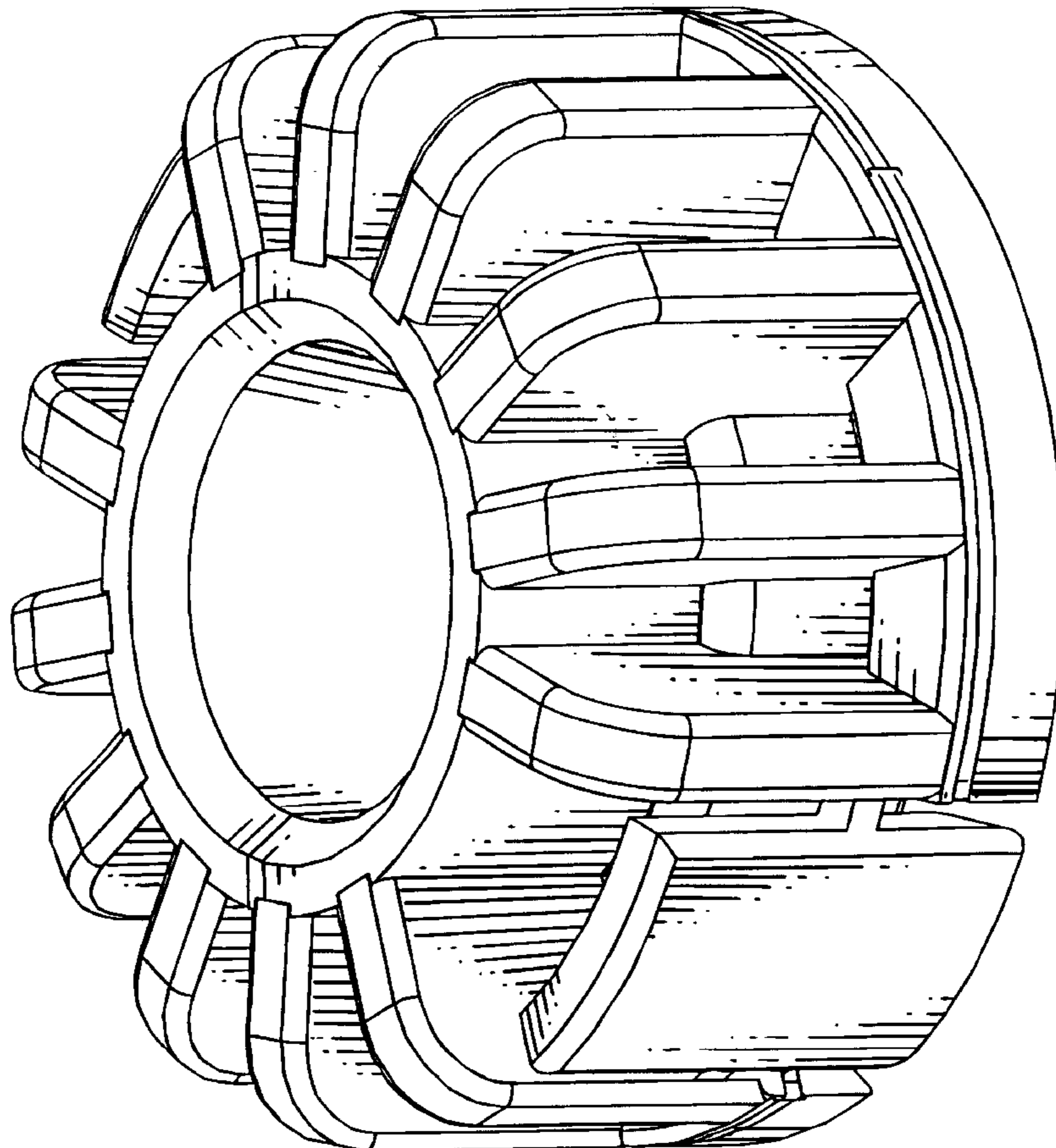


Fig. 1

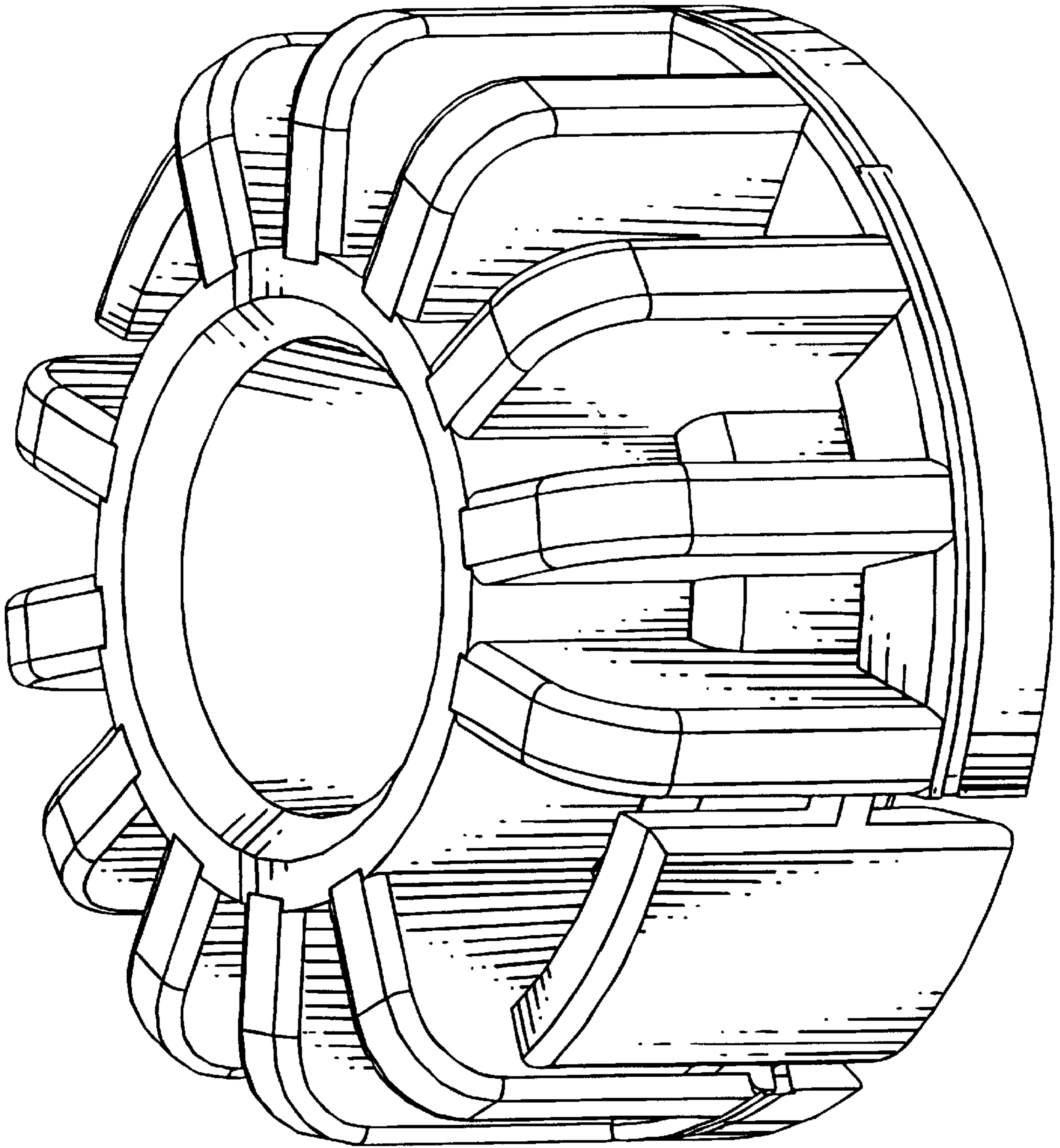


Fig. 2

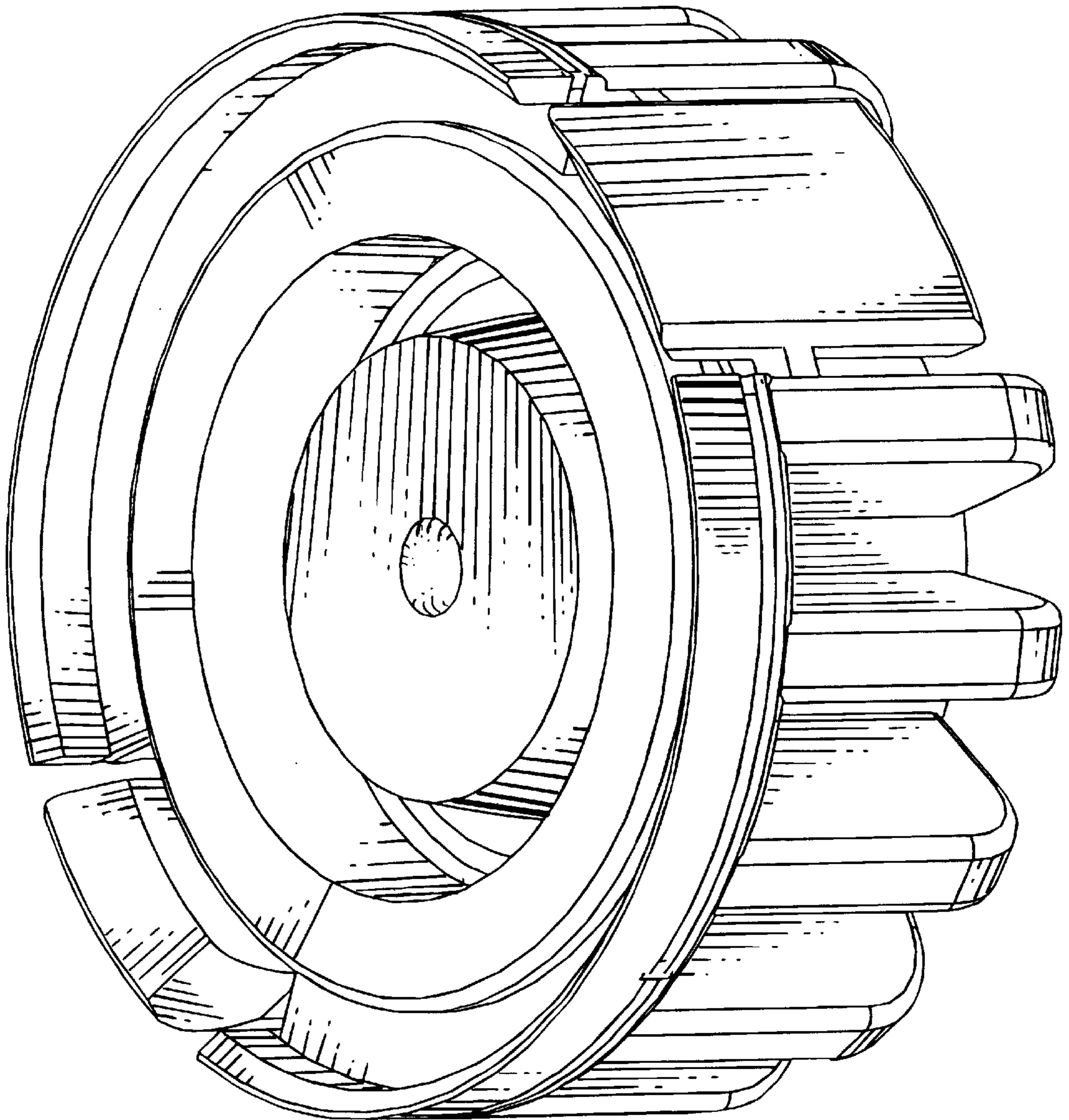


Fig. 3

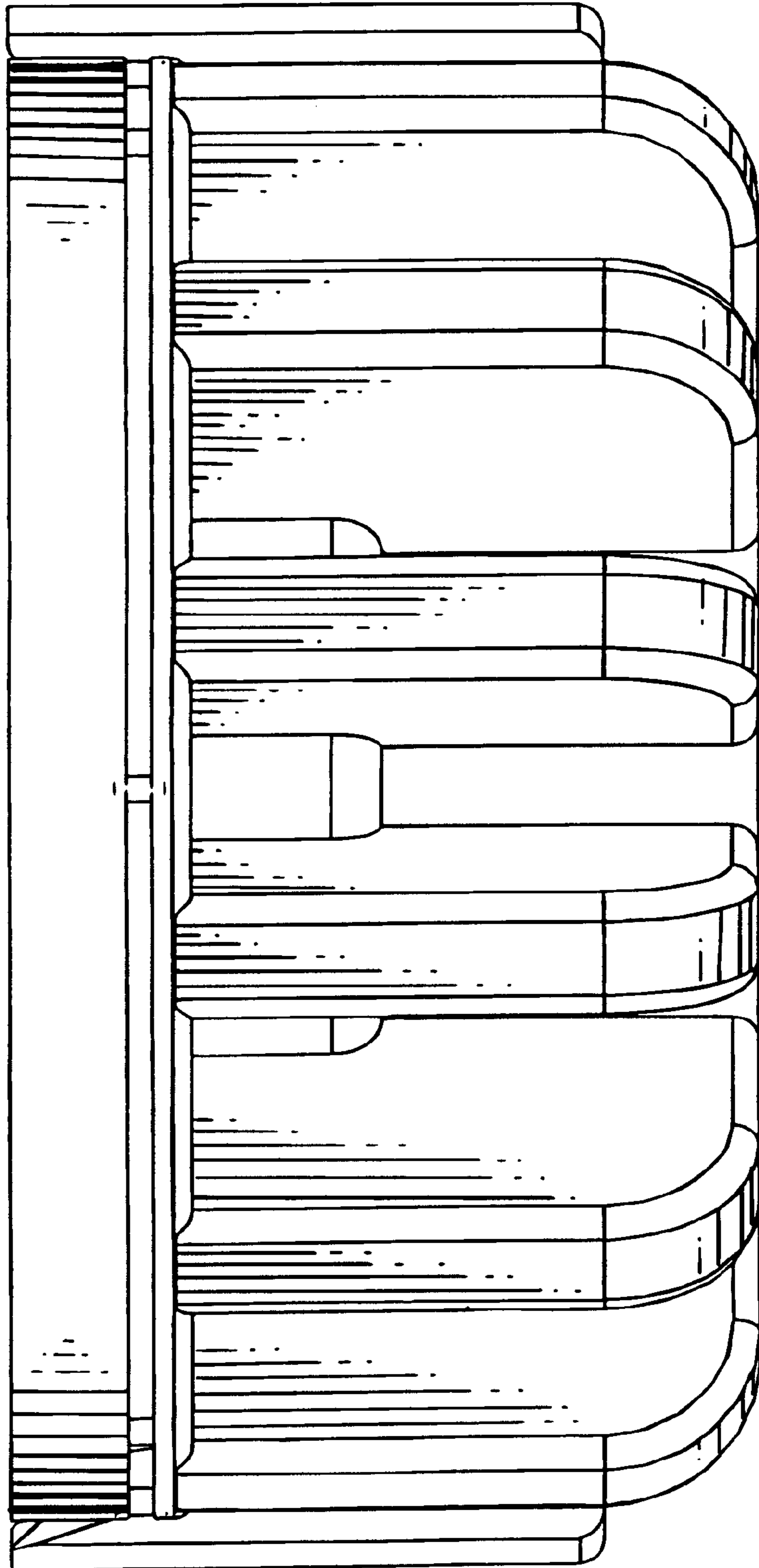


Fig. 4

