



US00D445678S

(12) **United States Design Patent**
Malmborg

(10) **Patent No.:** **US D445,678 S**

(45) **Date of Patent:** **** Jul. 31, 2001**

(54) **PART OF A SEALING DEVICE FOR A BOTTLE**

(75) **Inventor:** **Bengt Malmborg, Kågeröd (SE)**

(73) **Assignee:** **Modulpac AB, Lagan (SE)**

(**) **Term:** **14 Years**

(21) **Appl. No.:** **29/127,667**

(22) **Filed:** **Aug. 11, 2000**

(30) **Foreign Application Priority Data**

Feb. 11, 2000 (SE) 00-0272

(51) **LOC (7) Cl.** **09-07**

(52) **U.S. Cl.** **D9/434; D9/448; D9/453**

(58) **Field of Search** D9/434, 435, 443, D9/448, 453, 454, 300; 222/153.11, 153.12, 153.13, 153.14, 383.1, 383.2, 383.3, 383.4

(56) **References Cited**

U.S. PATENT DOCUMENTS

D. 123,648 * 9/1940 Holdren D9/454

D. 225,308	*	12/1972	Barefoot	D9/454
D. 268,905	*	5/1983	Douglas	D9/531
D. 290,323	*	6/1987	Weernink	D7/511
D. 417,397	*	12/1999	Forecast et al.	D9/453
D. 436,862	*	1/2001	Witt et al.	D9/438
3,207,375	*	9/1965	Bereziat	222/541.2 X
5,180,073	*	1/1993	Fay et al.	215/261
5,875,908	*	3/1999	Witt et al.	215/256

* cited by examiner

Primary Examiner—Cathron C. Brooks

(57) **CLAIM**

The ornamental design for a part of a sealing device for a bottle, as shown and described.

DESCRIPTION

FIG. 1 is a top perspective view of a part of a sealing device for a bottle showing my new design; FIG. 2 is a bottom perspective view thereof; FIG. 3 is a side elevational view thereof; and, FIG. 4 is a top plan view thereof.

1 Claim, 4 Drawing Sheets

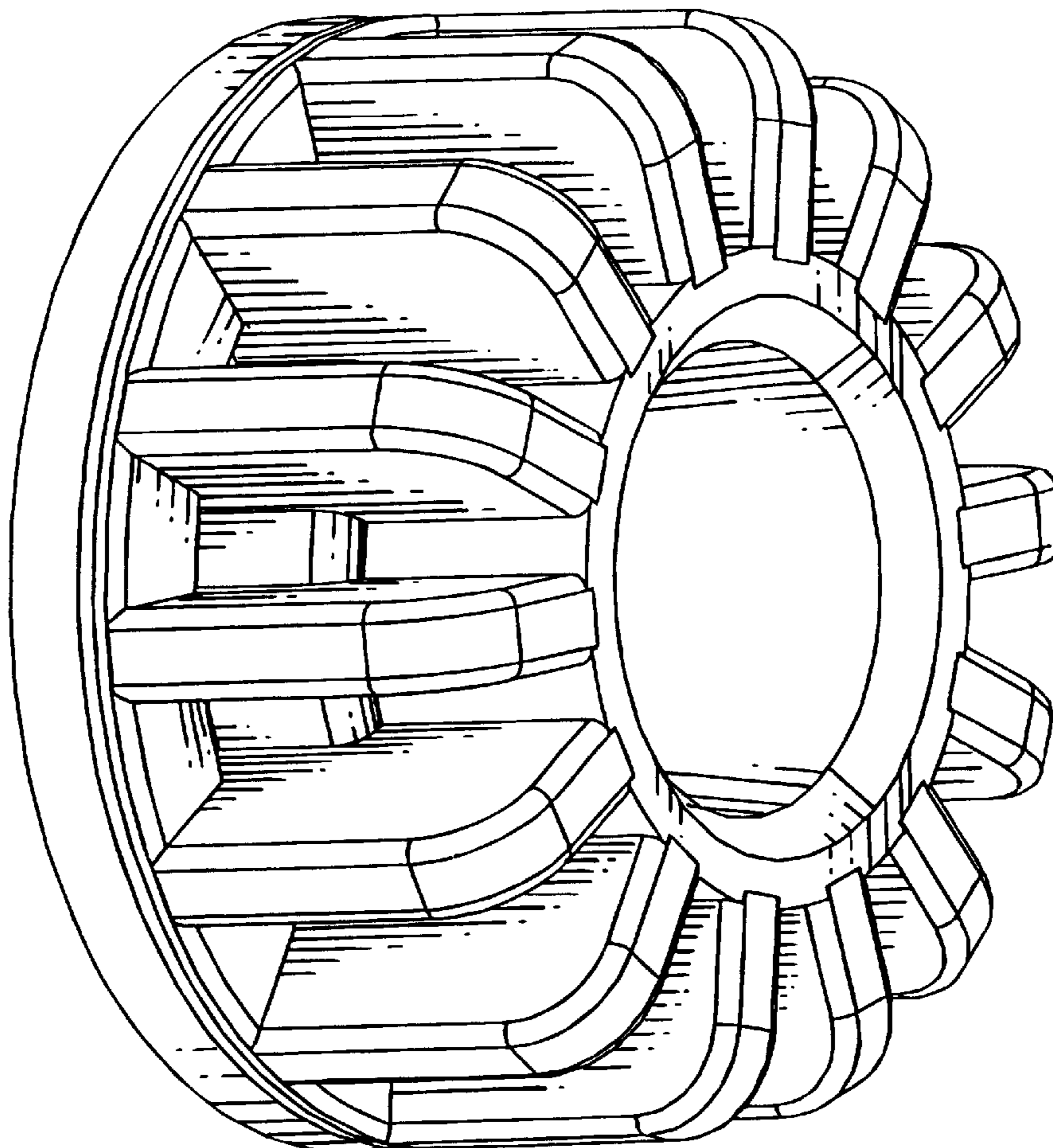


Fig. 1

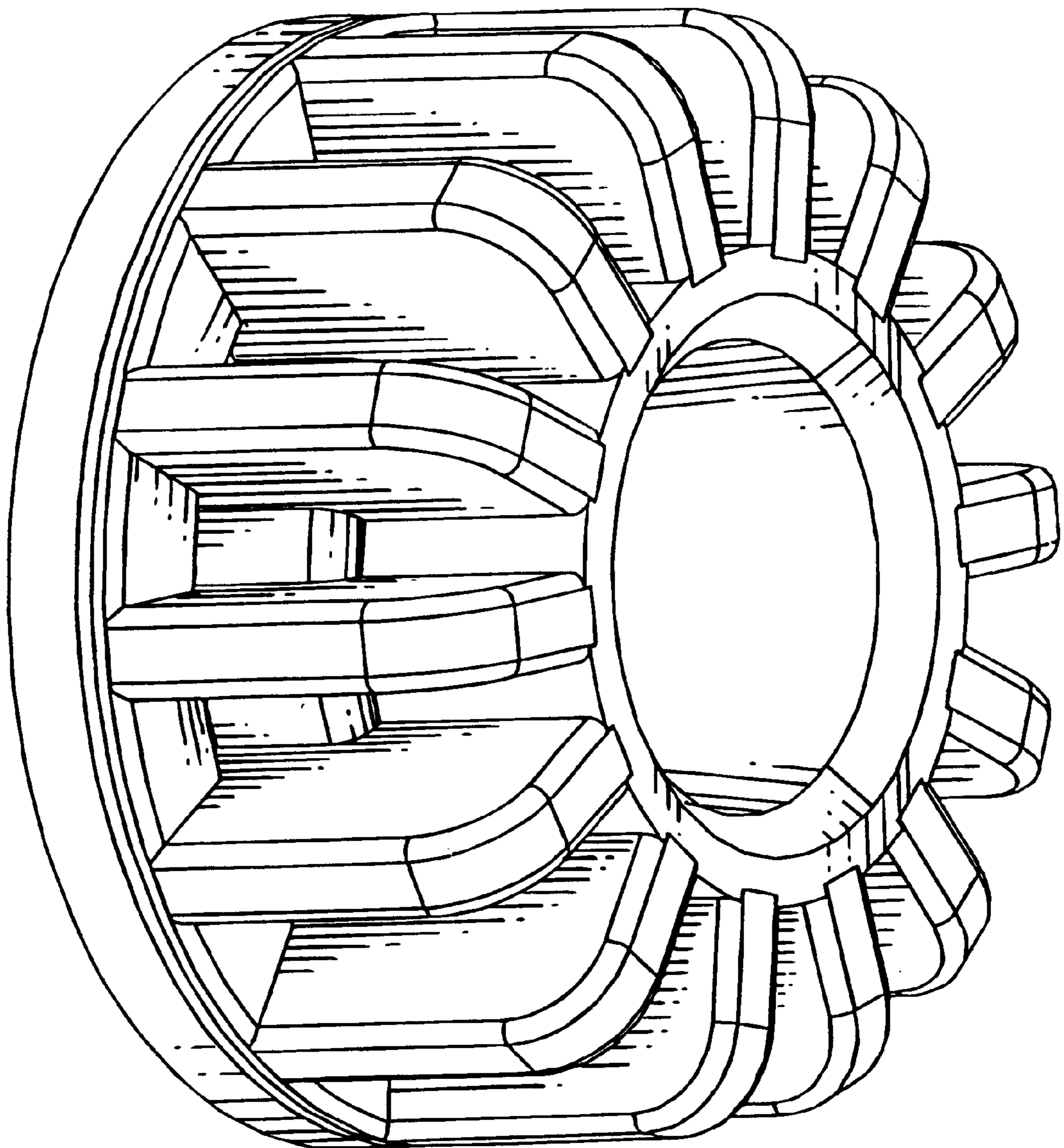


Fig. 2

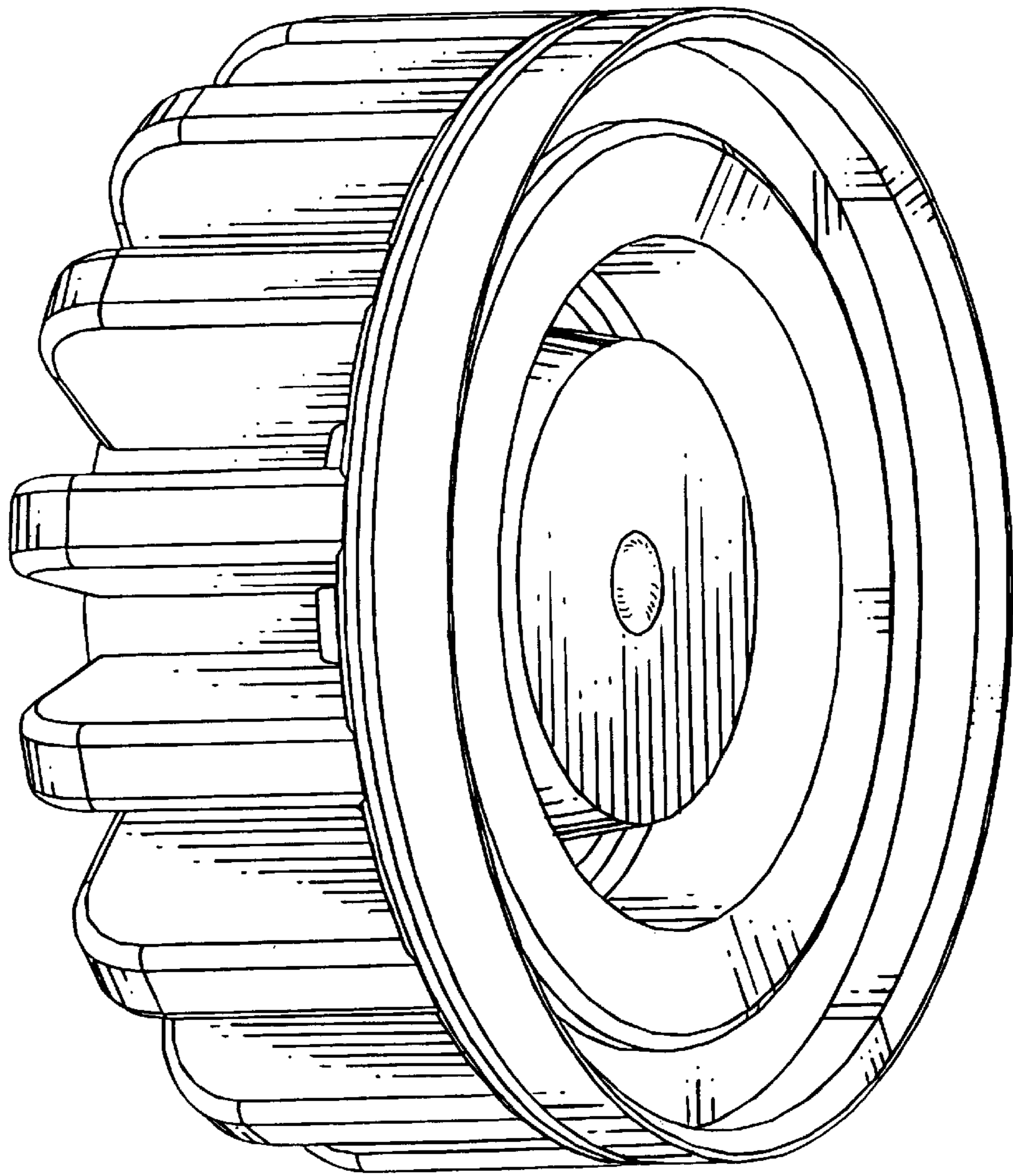


Fig. 3

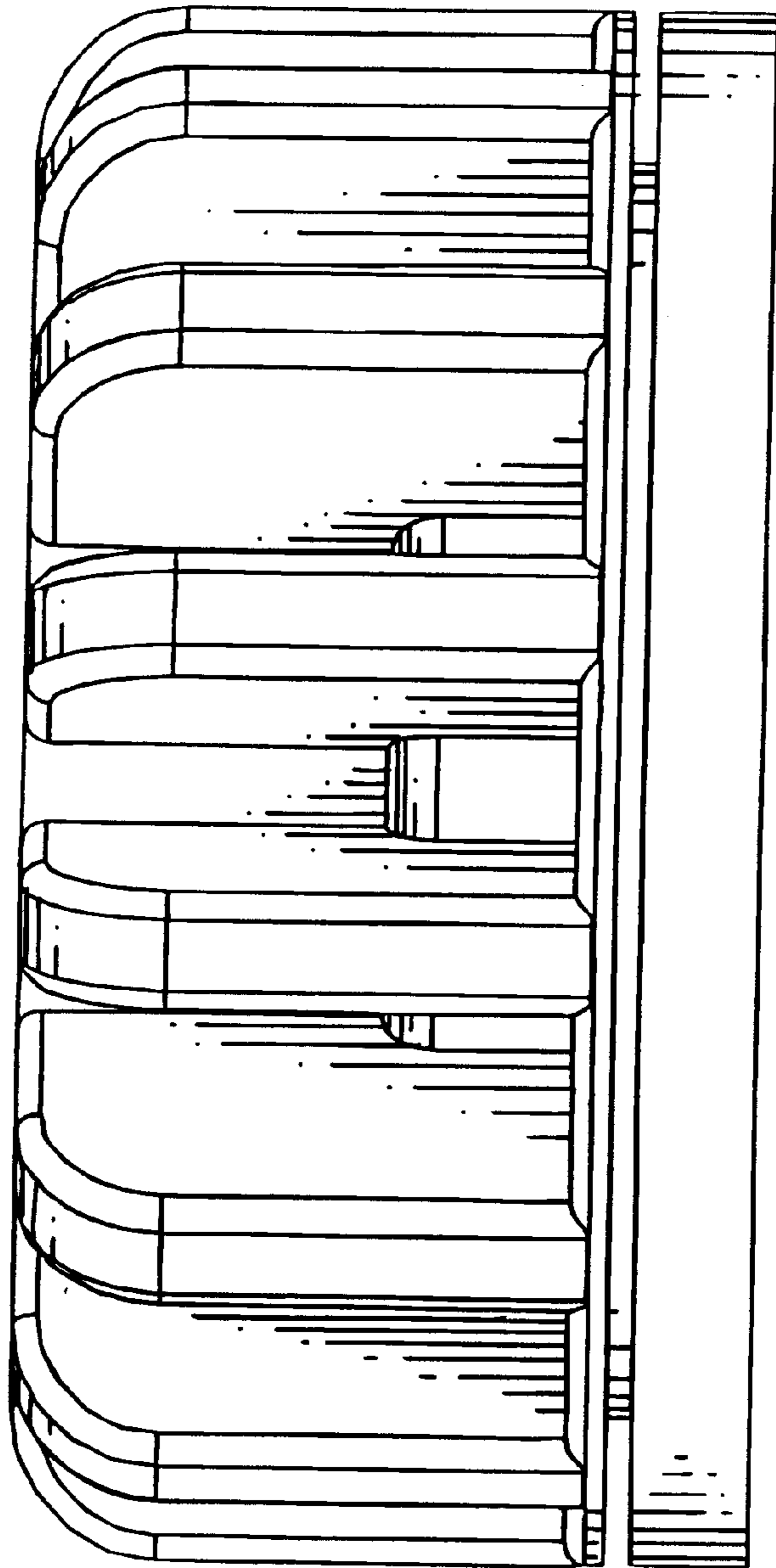


Fig. 4

