



US00D445677S

(12) **United States Design Patent**
Lindsay et al.

(10) **Patent No.: US D445,677 S**

(45) **Date of Patent: ** Jul. 31, 2001**

(54) **CONTAINER**

(75) Inventors: **Dean Lindsay**, Winnetka; **Tiffany Park**, Mt. Prospect; **Jose Tirso Olivares**, Chicago, all of IL (US)

(73) Assignee: **The Quaker Oats Company**, Chicago, IL (US)

(**) Term: **14 Years**

(21) Appl. No.: **29/125,300**

(22) Filed: **Jun. 21, 2000**

Related U.S. Application Data

(63) Continuation of application No. 29/099,522, filed on Jan. 22, 1999, now abandoned.

(51) **LOC (7) Cl.** **09-03**

(52) **U.S. Cl.** **D9/429; D9/425; D9/500**

(58) **Field of Search** D9/337, 341, 345-347, D9/414-415, 425, 429, 430-432, 500, 516-517; D7/509, 523, 543, 545, 603-604; D11/152-154; 220/669, 671, 675, 781, 793

(56) **References Cited**

U.S. PATENT DOCUMENTS

- D. 74,418 * 2/1928 D'Escayrac. D9/544
- D. 164,407 * 9/1951 Cowan D7/565
- D. 215,824 11/1969 Vanderhyde D9/425
- D. 216,870 * 3/1970 Gregor D9/429
- D. 228,125 * 8/1973 Weiss D9/429
- D. 234,180 * 1/1975 Dart et al. D9/425
- D. 248,006 * 5/1978 Christian D7/584
- D. 250,397 11/1978 Christian D9/500
- D. 258,338 2/1981 Gersin D9/500
- D. 265,462 * 7/1982 Andrulionis et al. D9/429
- D. 271,083 * 10/1983 Tyler D9/429
- D. 272,030 * 1/1984 Sleith D9/429
- D. 279,168 * 6/1985 Goldsmith D9/429
- D. 280,600 9/1985 Earl D9/425
- D. 287,050 12/1986 Perkins et al. D9/425

- D. 330,514 10/1992 Edwards D9/431
- D. 336,041 6/1993 Zama D9/431
- D. 351,790 10/1994 Haindl D9/425
- D. 357,859 5/1995 Klapwald D9/429
- D. 364,112 11/1995 Dickinson et al. D11/152
- D. 368,234 3/1996 Dickinson et al. D11/152
- D. 375,683 * 11/1996 Schoff D9/429
- D. 403,555 1/1999 Burns et al. D7/604
- D. 409,945 5/1999 Hensen D11/152
- D. 409,946 5/1999 Hensen D11/152
- D. 426,160 * 6/2000 Lindsay et al. D9/500
- D. 429,150 * 8/2000 Lindsay et al. D9/425
- 2,438,844 3/1948 Dale 220/671
- 2,707,588 5/1955 Amberg 229/404
- 3,128,029 4/1964 Price et al. 229/4.5
- 3,291,361 12/1966 Commeyras 229/400
- 3,443,714 5/1969 Edwards 220/671
- 3,664,568 5/1972 MacDaniel 229/1.5
- 3,703,255 11/1972 Wade 229/400
- 3,850,361 11/1974 Day et al. 206/232
- 4,231,476 11/1980 Compton et al. 206/519
- 4,972,963 * 11/1990 Guarriello et al. 220/659
- 5,203,836 4/1993 Brazis et al. 206/507

* cited by examiner

Primary Examiner—Ted Shooman

Assistant Examiner—Carol Rademaker

(74) *Attorney, Agent, or Firm*—Lars S. Johnson

(57) **CLAIM**

We claim the ornamental design for a container, as shown and described.

DESCRIPTION

FIG. 1 is a perspective view of a container embodying our new design;
FIG. 2 is a front view of the container depicted in FIG. 1, the opposite side being identical;
FIG. 3 is a side view of the container depicted in FIG. 1, the opposite side being identical;
FIG. 4 is a top view of the container depicted in FIG. 1; and,
FIG. 5 is a bottom view of the container depicted in FIG. 1.

1 Claim, 3 Drawing Sheets

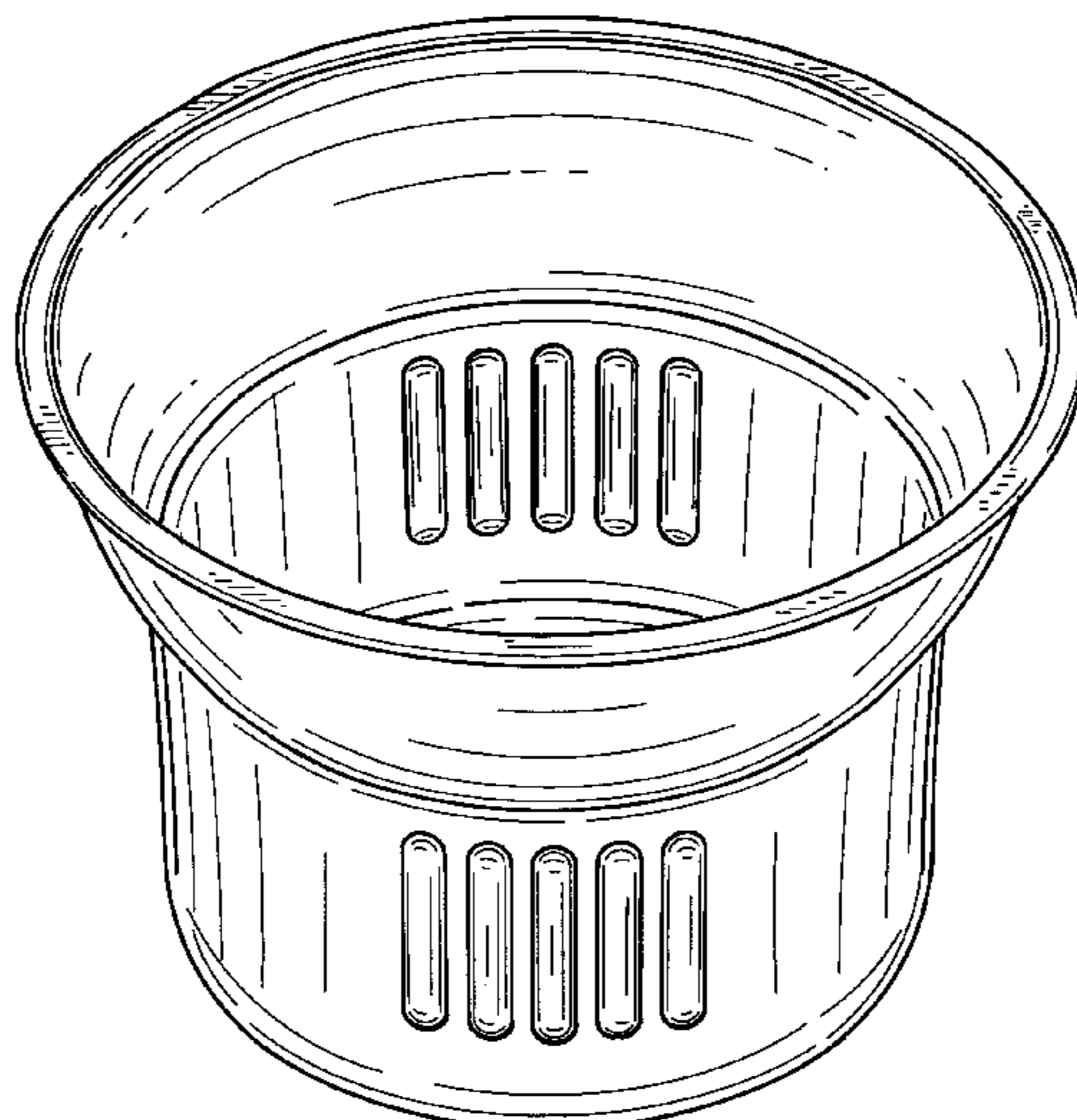


FIG. 1

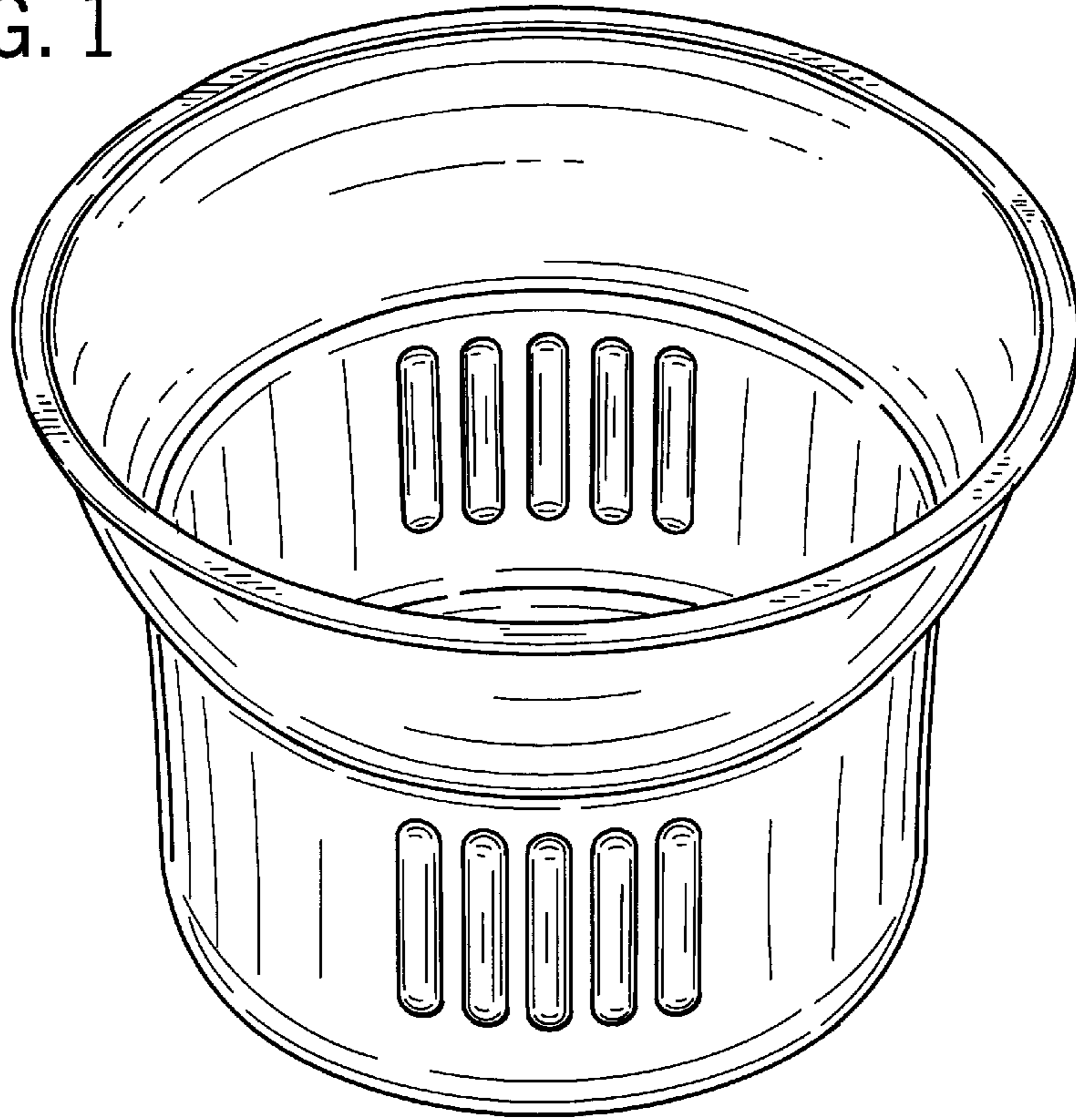


FIG. 2

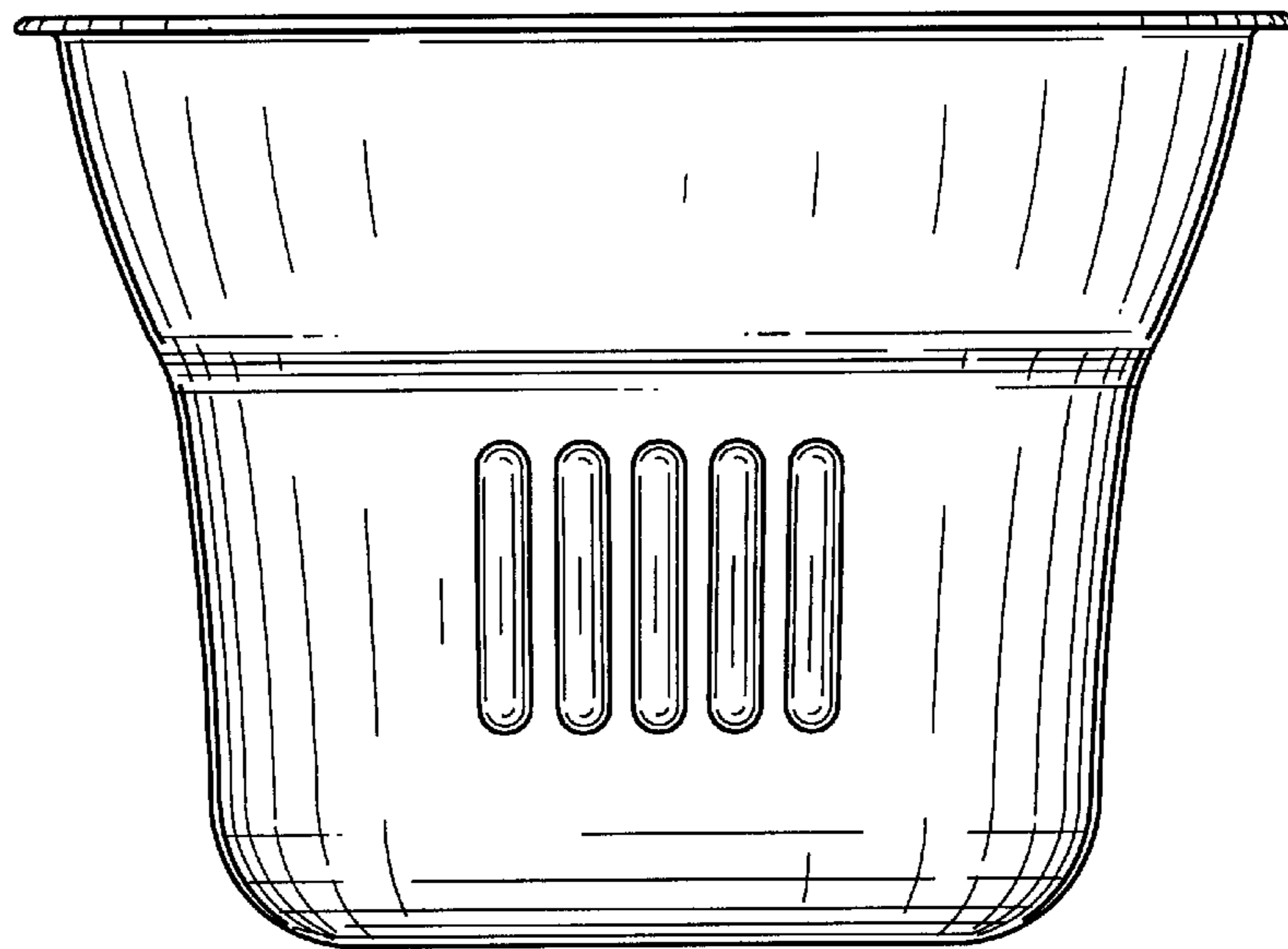


FIG. 3

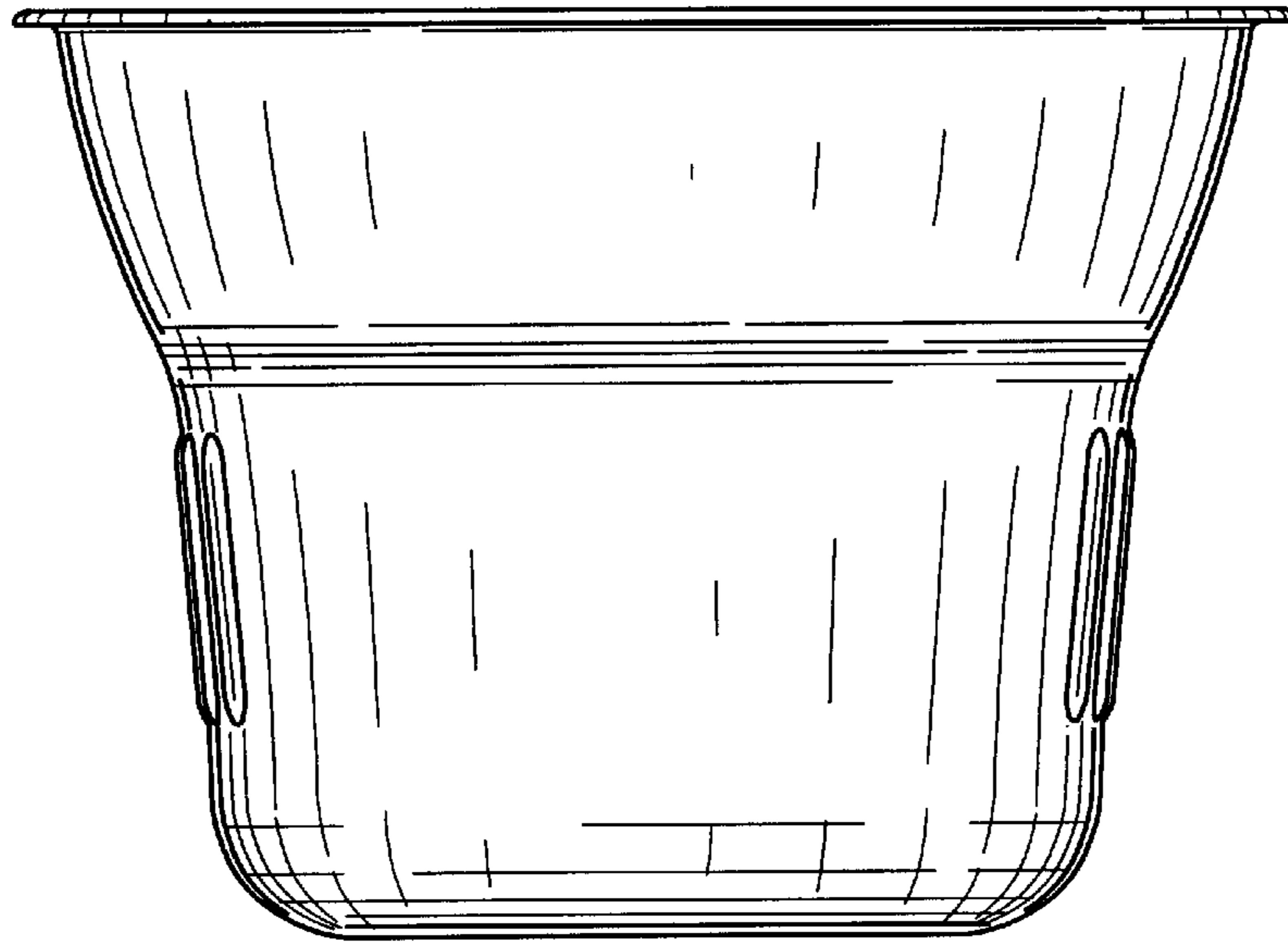


FIG. 4

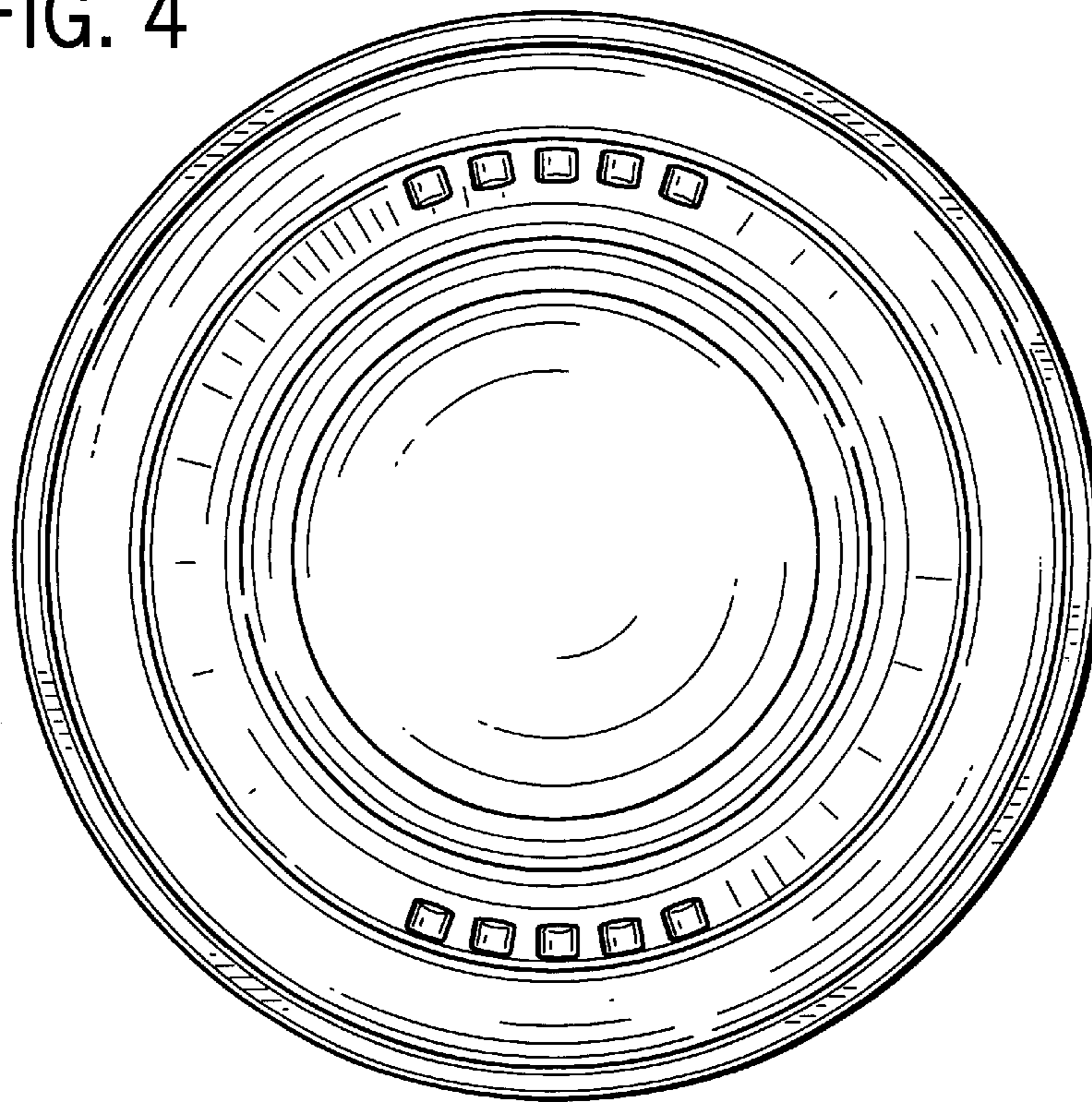


FIG. 5

