



US00D445668S

(12) **United States Design Patent**
Hills, Sr.

(10) **Patent No.:** **US D445,668 S**

(45) **Date of Patent:** **** Jul. 31, 2001**

(54) **CONCRETE REINFORCING ROD CHAIR**

5,351,457 * 10/1994 Colen 52/438

5,408,799 * 4/1995 Ron et al. 52/677

5,791,095 * 8/1998 Sorkin 52/105

(76) Inventor: **Robert A. Hills, Sr.**, 4176 Chelsea Harbor Dr., Jax., FL (US) 32224

(**) Term: **14 Years**

* cited by examiner

Primary Examiner—Pamela Burgess

(74) *Attorney, Agent, or Firm*—Arthur G. Yeager

(21) Appl. No.: **29/133,677**

(57) **CLAIM**

(22) Filed: **Dec. 5, 2000**

I claim the ornamental design for a concrete reinforcing rod chair, as shown and described.

(51) **LOC (7) Cl.** **08-05**

DESCRIPTION

(52) **U.S. Cl.** **D8/354; D8/349; D25/199**

(58) **Field of Search** D8/354, 356, 384, D8/373, 380, 349; D25/199; 52/685, 687, 688, 690, 689, 383, 696, 677, 693, 694, 105, 438

FIG. 1 is a front perspective view of a concrete reinforcing rod chair showing a first embodiment of my new design; FIG. 2 is a front elevational view thereof; FIG. 3 is a top plan view thereof; FIG. 4 is an end elevational view thereof, the opposite end elevational view being identical thereto; FIG. 5 is a bottom plan view thereof; and, FIG. 6 is a second embodiment of a concrete reinforcing rod chair showing my new design.

(56) **References Cited**

U.S. PATENT DOCUMENTS

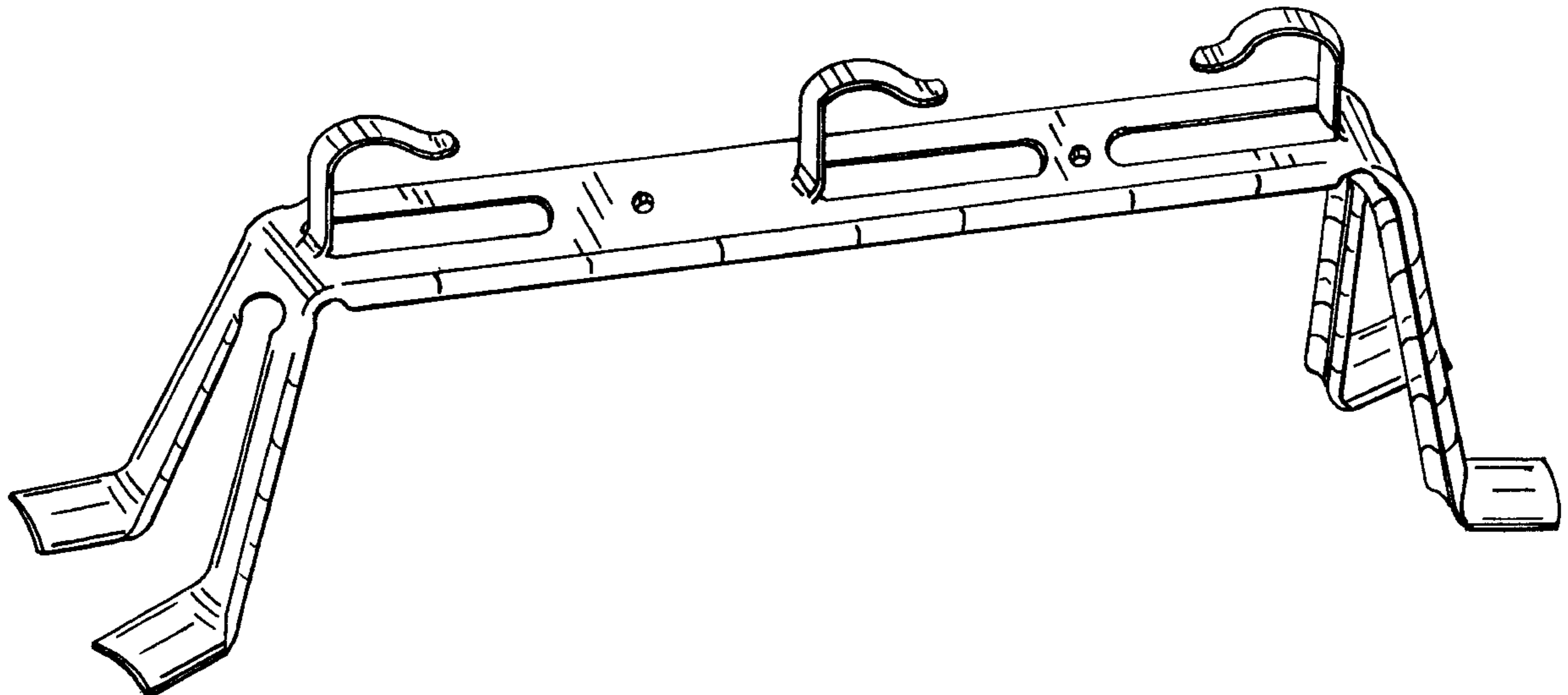
D. 288,407 * 2/1987 St. Alban D8/354

D. 339,975 * 10/1993 Bird et al. D8/354

4,541,218 * 9/1985 Gottlieb 52/694

4,660,865 * 4/1987 Workman 285/148

1 Claim, 4 Drawing Sheets



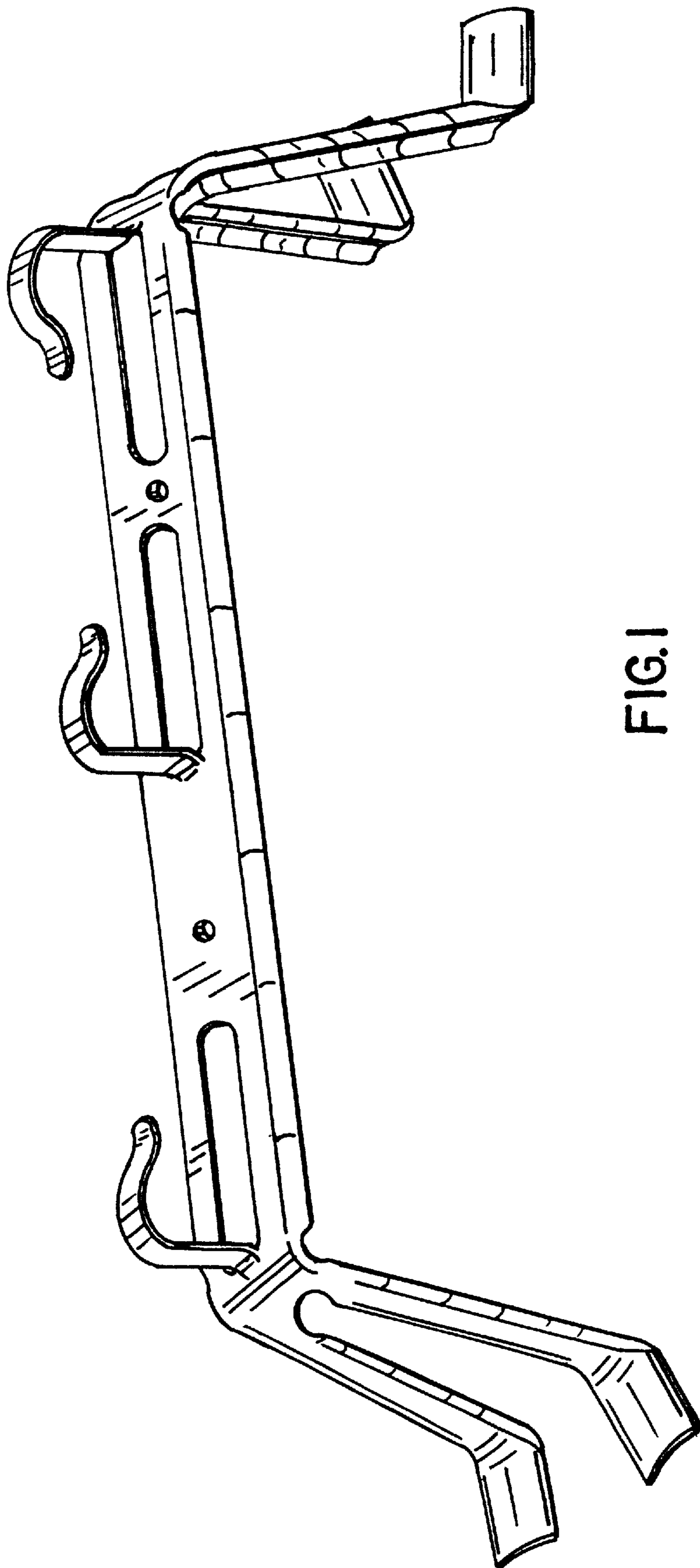


FIG. 1

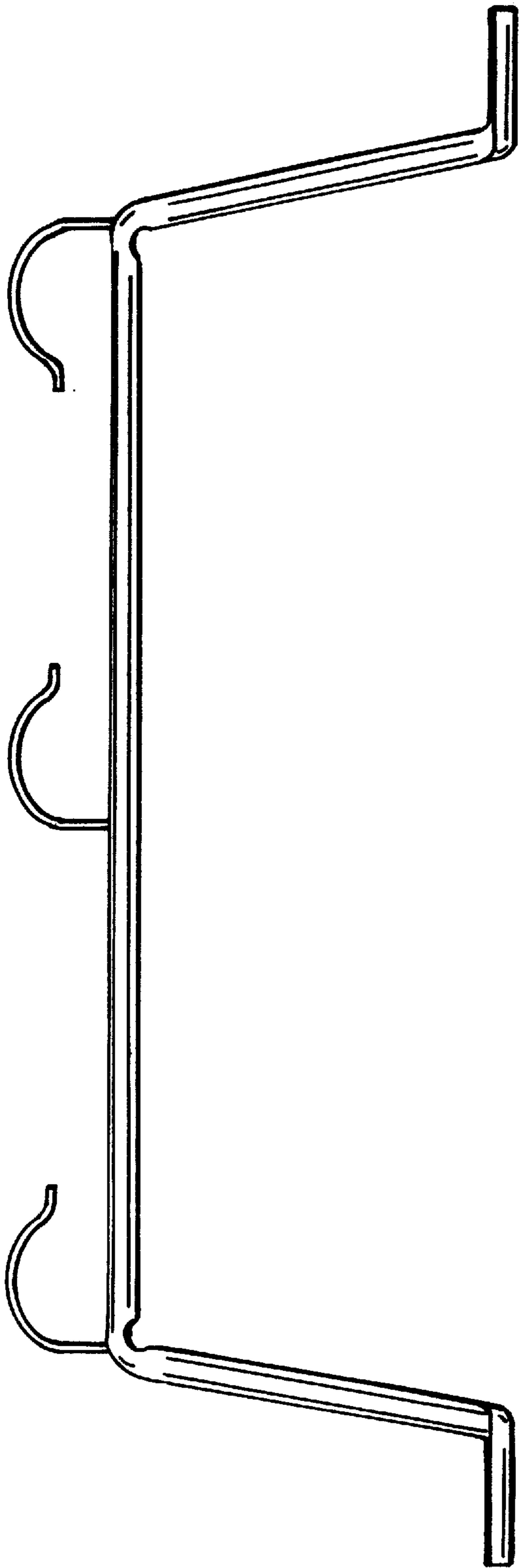


FIG. 2

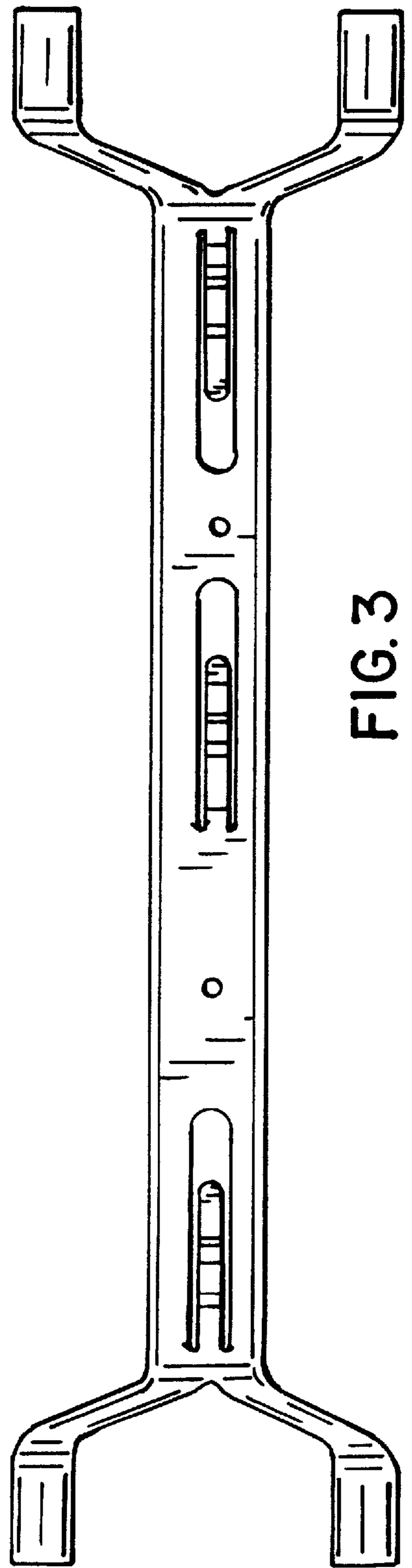


FIG. 3

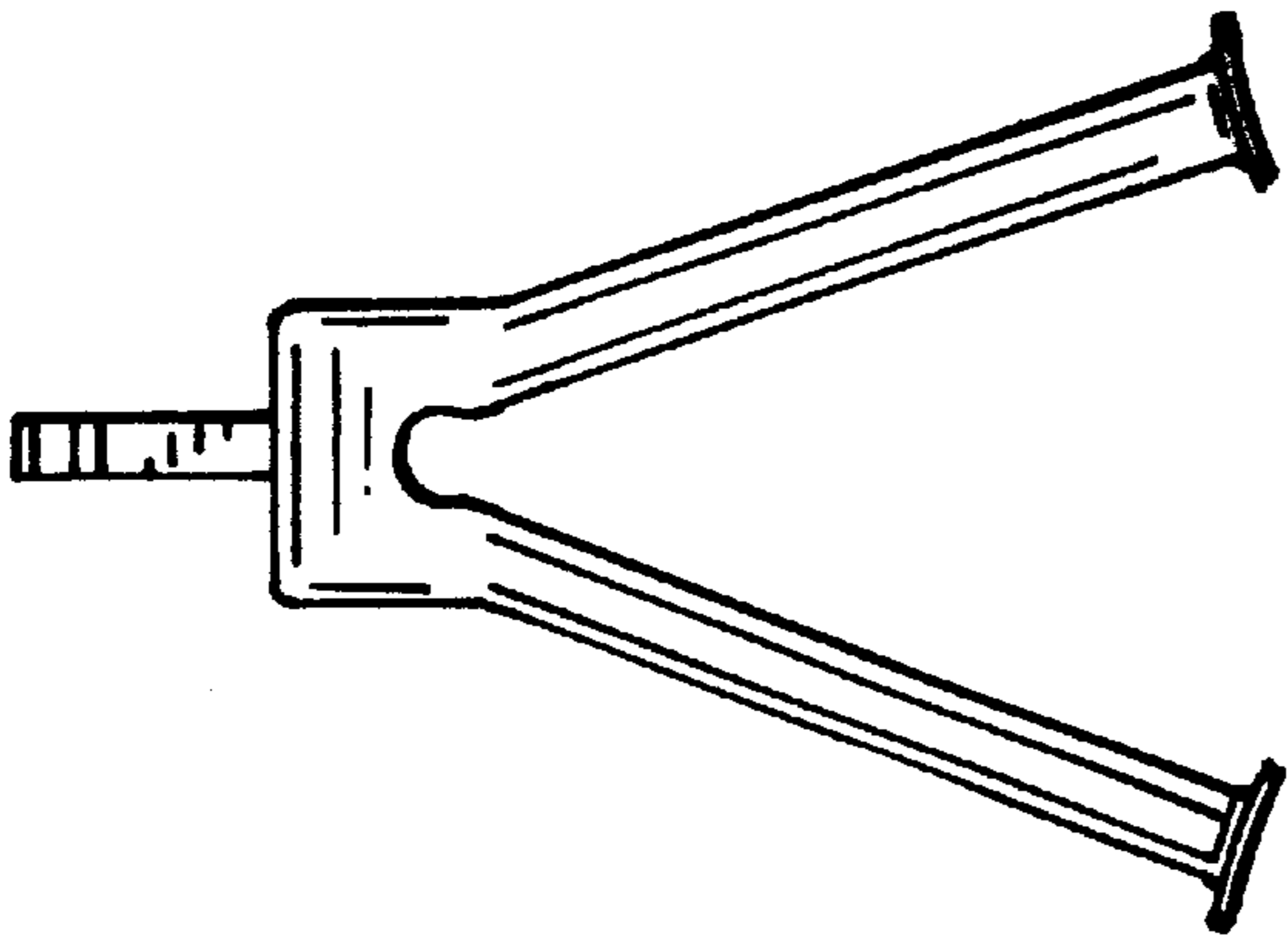


FIG. 4

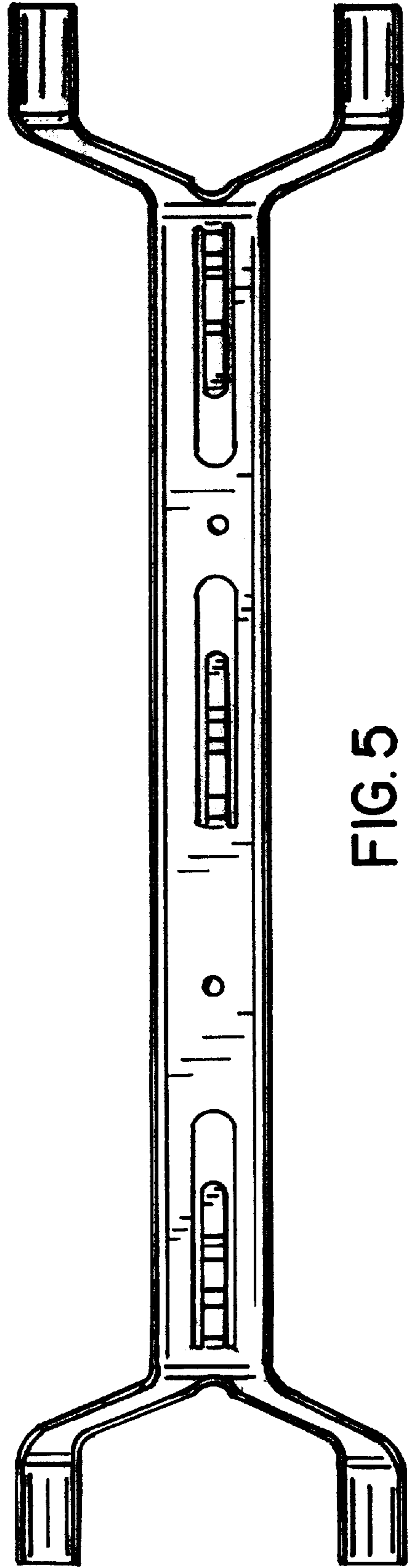


FIG. 5

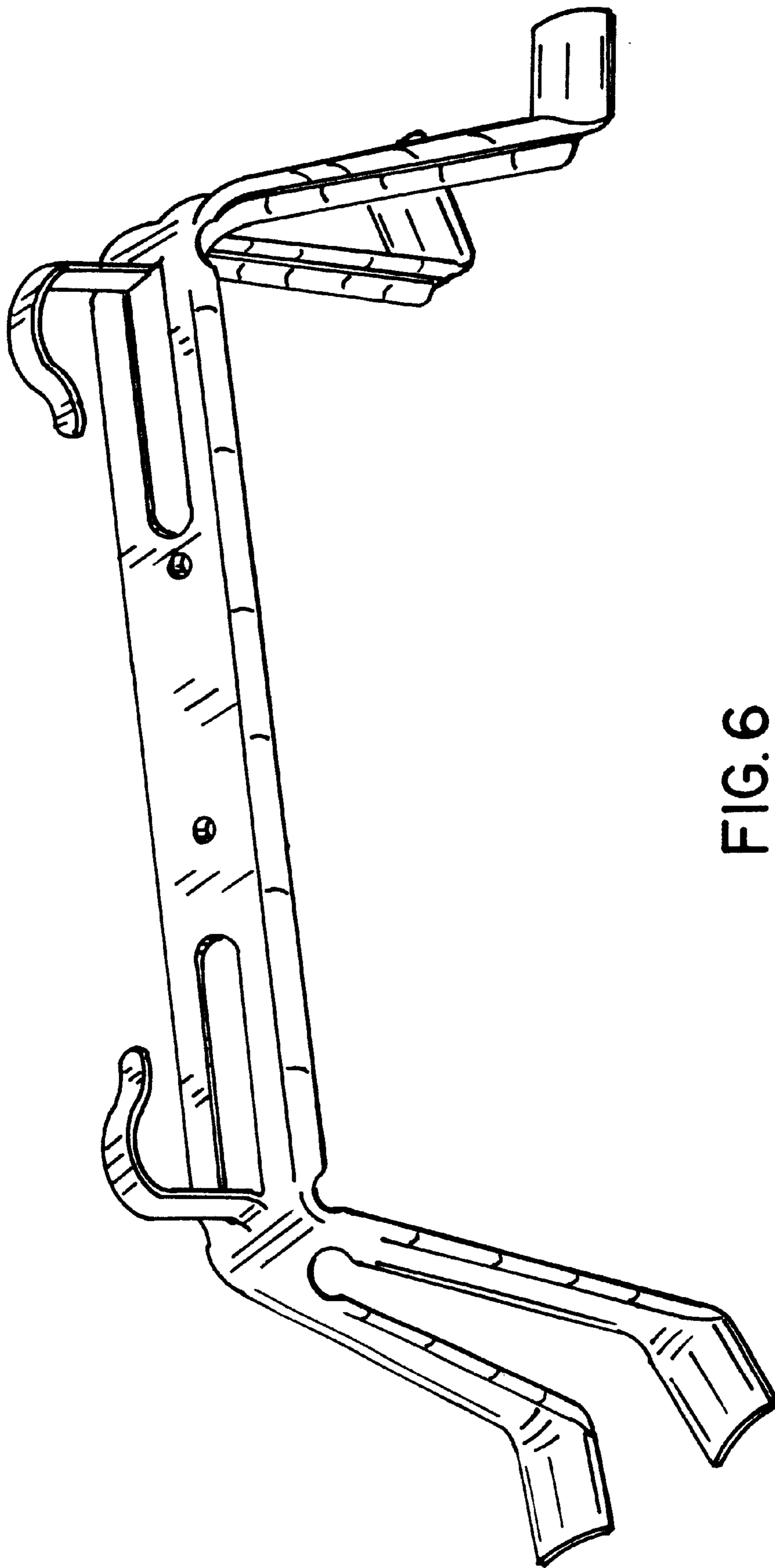


FIG. 6