



US00D445666S

(12) **United States Design Patent**
Gable

(10) **Patent No.:** **US D445,666 S**

(45) **Date of Patent:** **** Jul. 31, 2001**

(54) **SPORTS LOCK**

OTHER PUBLICATIONS

(76) Inventor: **Derek John Gable**, 7246 Avenida
Altisima, Rancho Palos Verdes, CA
(US) 90275

Master Combination Lock, p. 12, Master Padlocks and
Security Products, Dec. 1985.*

(**) Term: **14 Years**

* cited by examiner

(21) Appl. No.: **29/094,835**

Primary Examiner—Susan J. Lucas
Assistant Examiner—Jennifer Rivard

(22) Filed: **Oct. 13, 1998**

(57) **CLAIM**

(51) **LOC (7) Cl.** **08-07**

The ornamental design for a sports lock, as shown.

(52) **U.S. Cl.** **D8/335**

DESCRIPTION

(58) **Field of Search** D8/330–331, 333,
D8/335; 70/14, 20, 21, 22, 24, 286

FIG. 1 is a side view of a sports lock showing my new
design, the opposite side is a mirror image thereof;

FIG. 2 is a front view thereof;

FIG. 3 is a back view thereof; and,

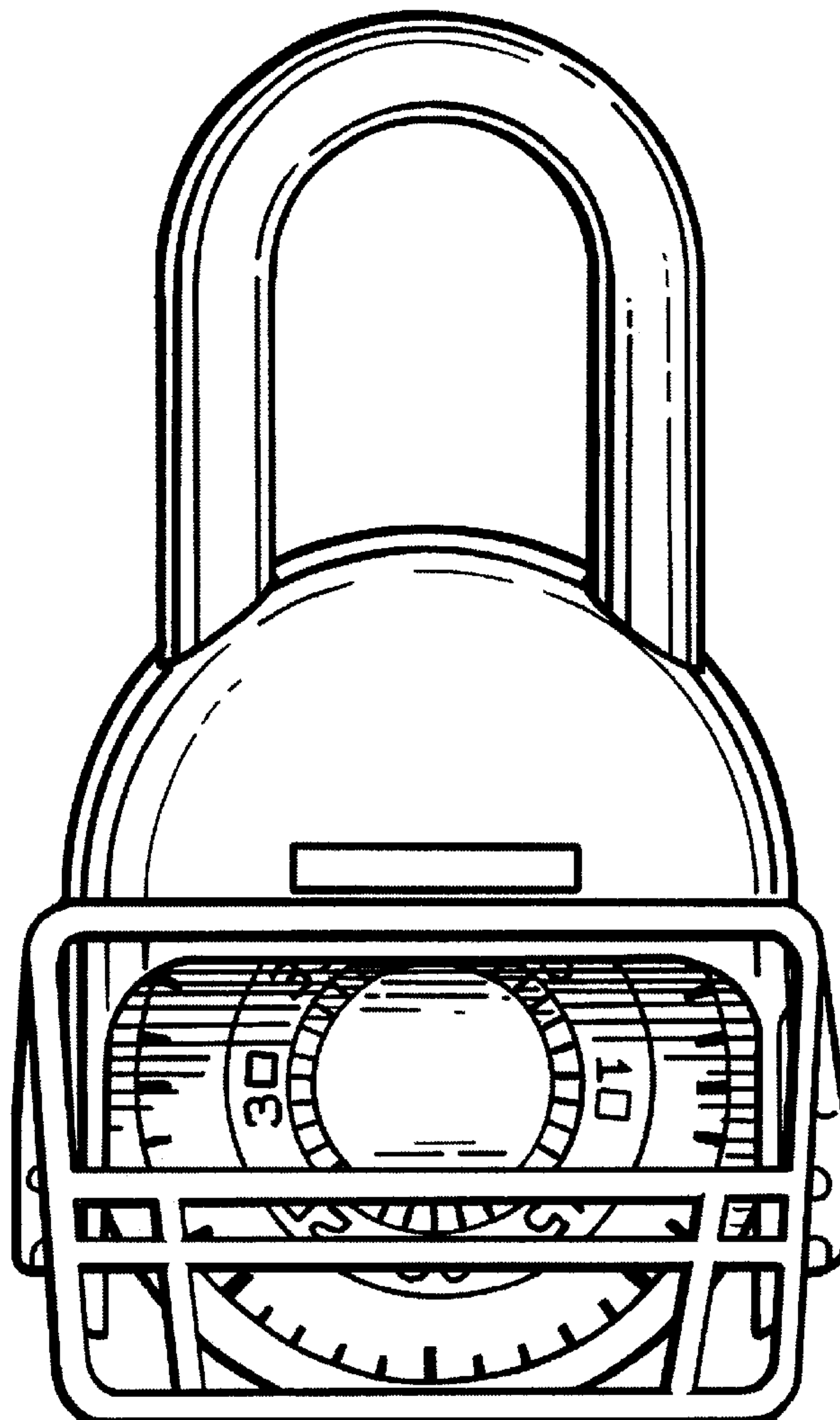
FIG. 4 is a top plan view thereof.

(56) **References Cited**

U.S. PATENT DOCUMENTS

- D. 39,745 * 1/1909 Dean D8/335
- D. 330,843 * 11/1992 Anderson D8/335
- D. 409,075 * 5/1999 Berger D8/335

1 Claim, 2 Drawing Sheets



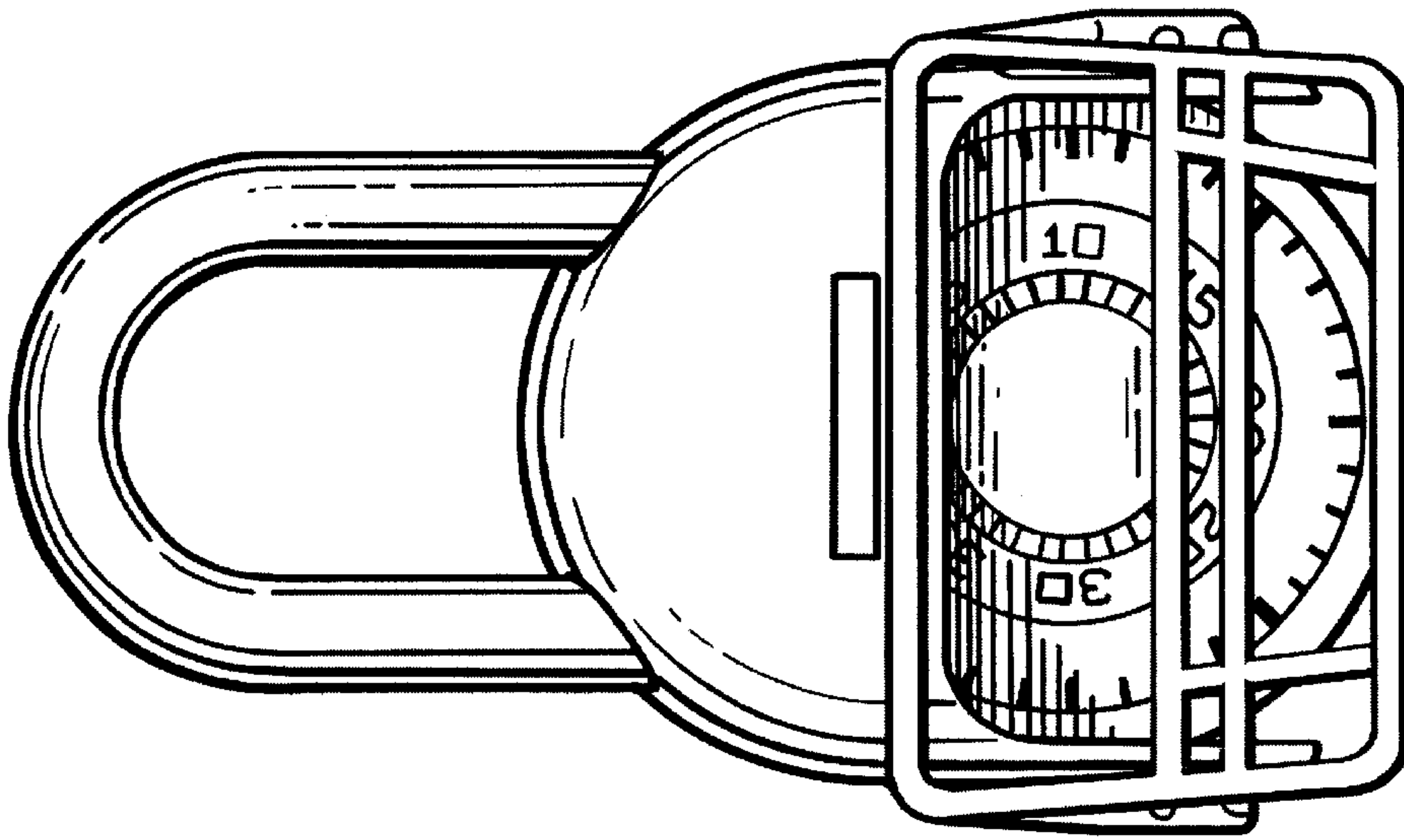


Figure 2

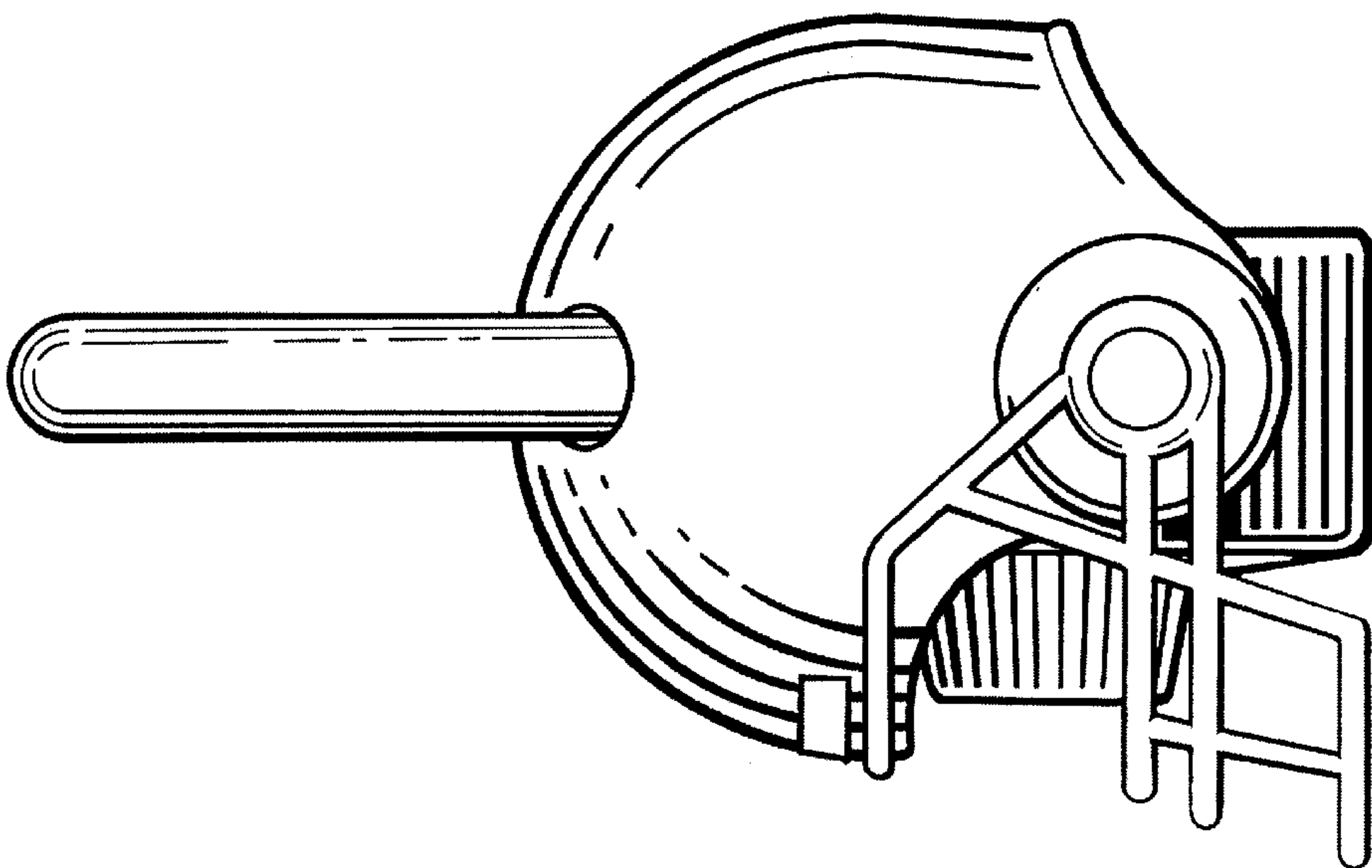


Figure 1

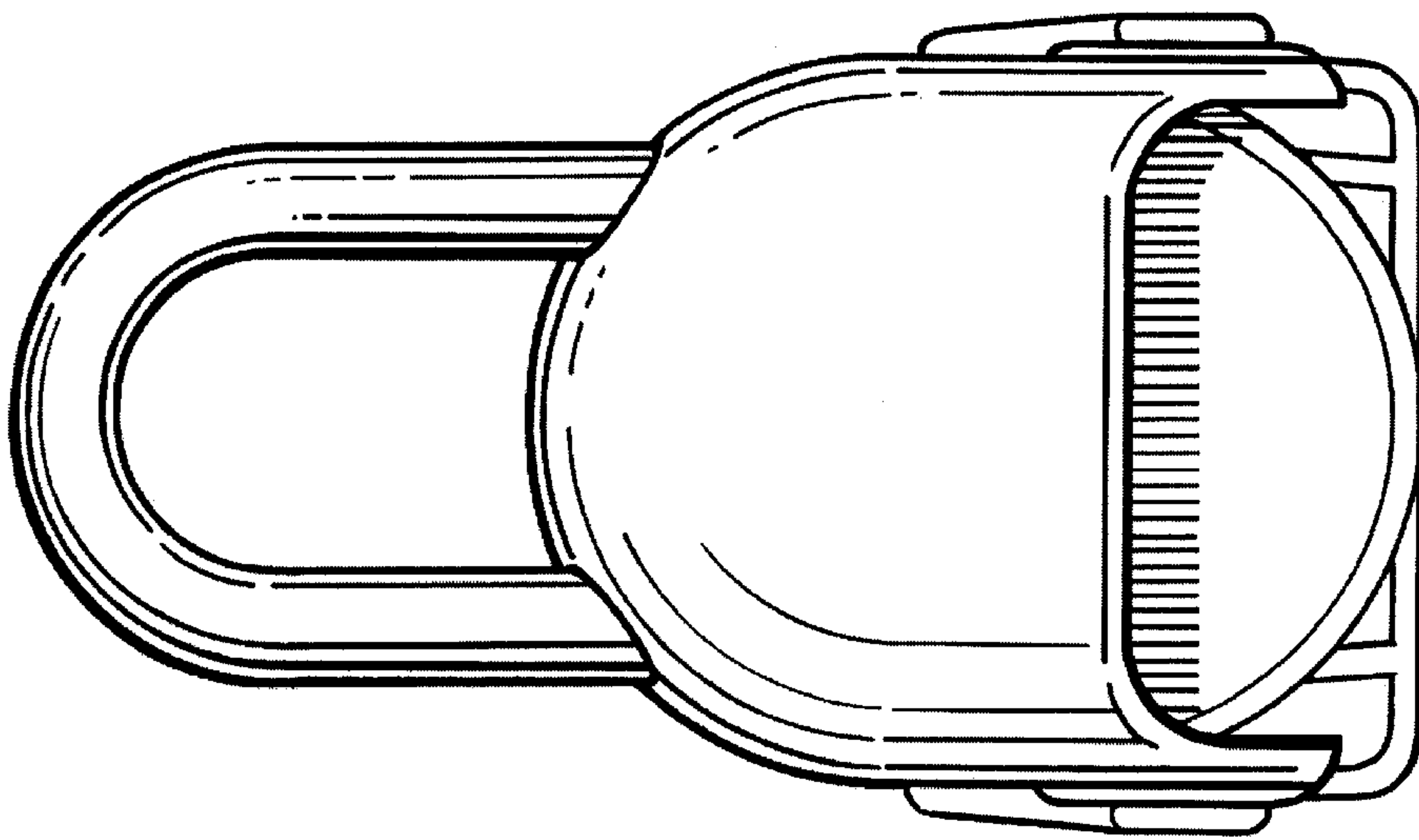


Figure 3

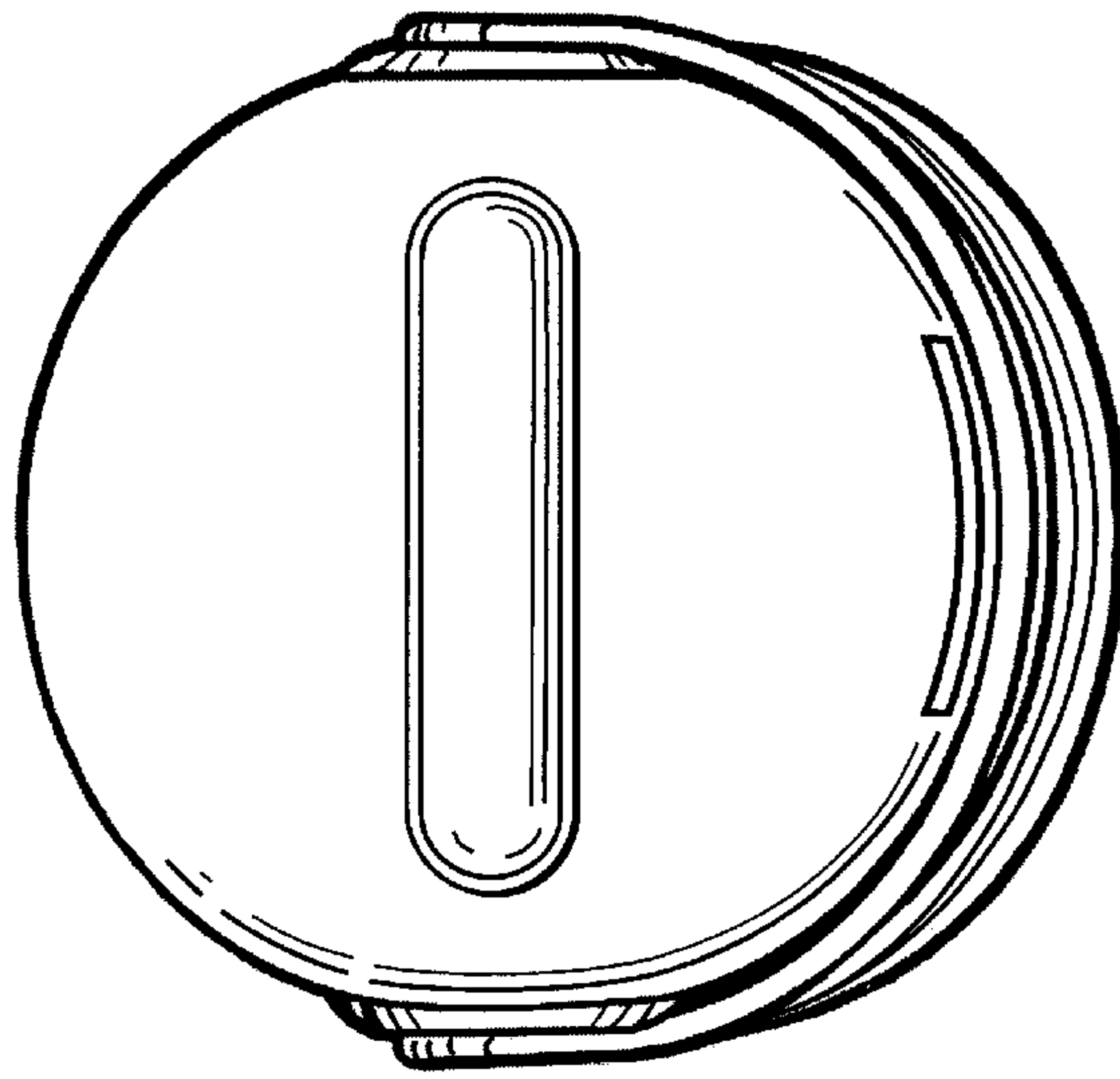


Figure 4