



US00D445665S

(12) **United States Design Patent**
Robinson

(10) **Patent No.:** **US D445,665 S**

(45) **Date of Patent:** **** Jul. 31, 2001**

(54) **ELECTRONIC CARD LOCK PROTECTIVE COVER**

Primary Examiner—Kay H. Chin

(76) **Inventor:** **Chester Lee Robinson**, P.O. Box 180291, Dallas, TX (US) 75218

(**) **Term:** **14 Years**

(57) **CLAIM**

The ornamental design for a electronic card lock protective cover, as shown and described.

(21) **Appl. No.:** **29/111,386**

(22) **Filed:** **Sep. 24, 1999**

DESCRIPTION

(51) **LOC (7) Cl.** **08-07**

(52) **U.S. Cl.** **D8/330**

(58) **Field of Search** D8/330-331; 74/14, 74/57, 58; 235/441, 435; 312/223.2, 419, 296; 360/97.02, 97.04; 439/138

FIG. 1 is an exploded front elevational view of the electronic card lock protective cover of the present invention;

FIG. 2 is an exploded rear elevational view of the electronic card lock protective cover of FIG. 1;

FIG. 3 is an exploded left side elevational view of the electronic card lock protective cover of FIG. 1, the right view being a mirror image thereof;

FIG. 4 is an exploded top plan view of the electronic card lock protective cover of FIG. 1, the bottom view being a mirror image thereof;

FIG. 5 is a top, front, right side perspective view of the electronic card lock protective cover of FIG. 1; and,

FIG. 6 is a top, rear, left side perspective view of the electronic card lock protective cover of FIG. 1.

The cross-hatching as shown in FIGS. 1 through 6 is to continued throughout the object and is indicative of a flexible material.

The broken lines showing of a door handle, lock and plate in FIG. 5 are for illustrative purposes only and form no part of the claimed design.

(56) **References Cited**

U.S. PATENT DOCUMENTS

D. 288,899	*	3/1987	Floyd et al.	D8/330
D. 290,442		6/1987	Floyd et al.	.	
D. 363,425	*	10/1995	Taylor	D8/346
D. 391,139	*	2/1998	Gilliam	D8/331
D. 425,049	*	5/2000	Schilt	D14/121
3,428,988		2/1969	Blackburn	.	
5,265,951		11/1993	Kumar	.	
5,530,603		6/1996	Weidman et al.	.	
5,575,670		11/1996	Chen et al.	.	
5,686,714		11/1997	Abe et al.	.	

* cited by examiner

1 Claim, 3 Drawing Sheets

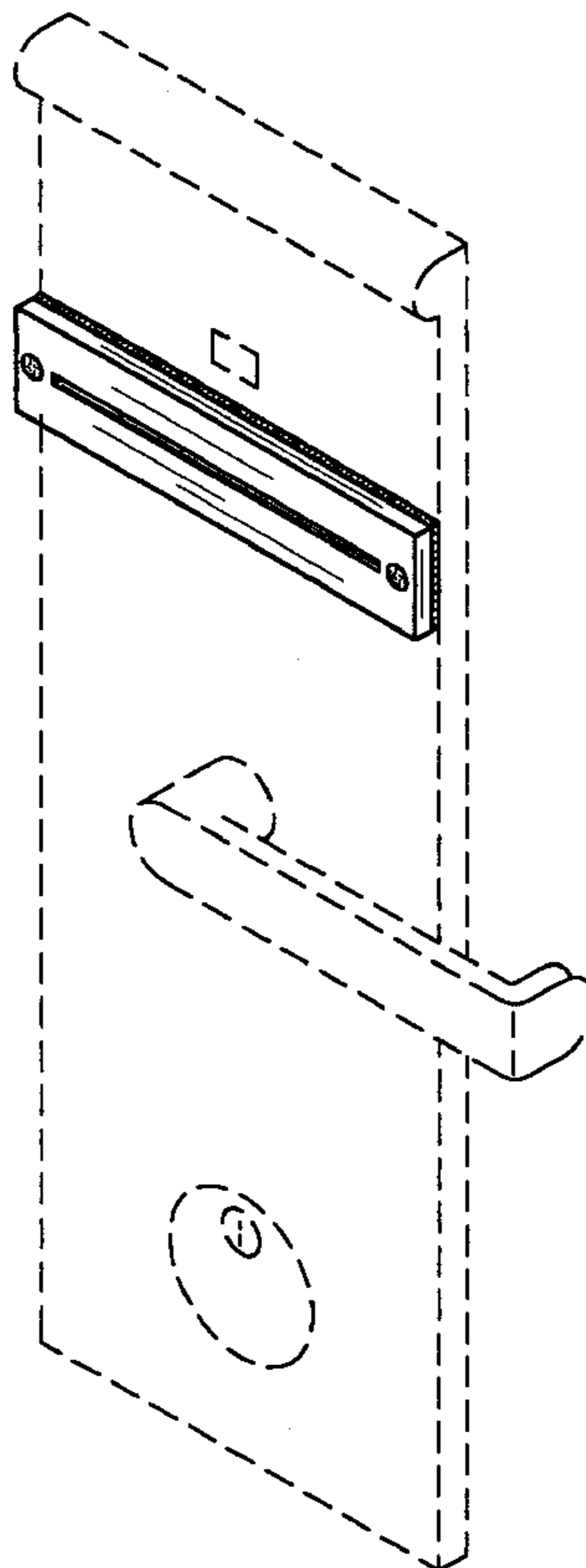


Fig.1

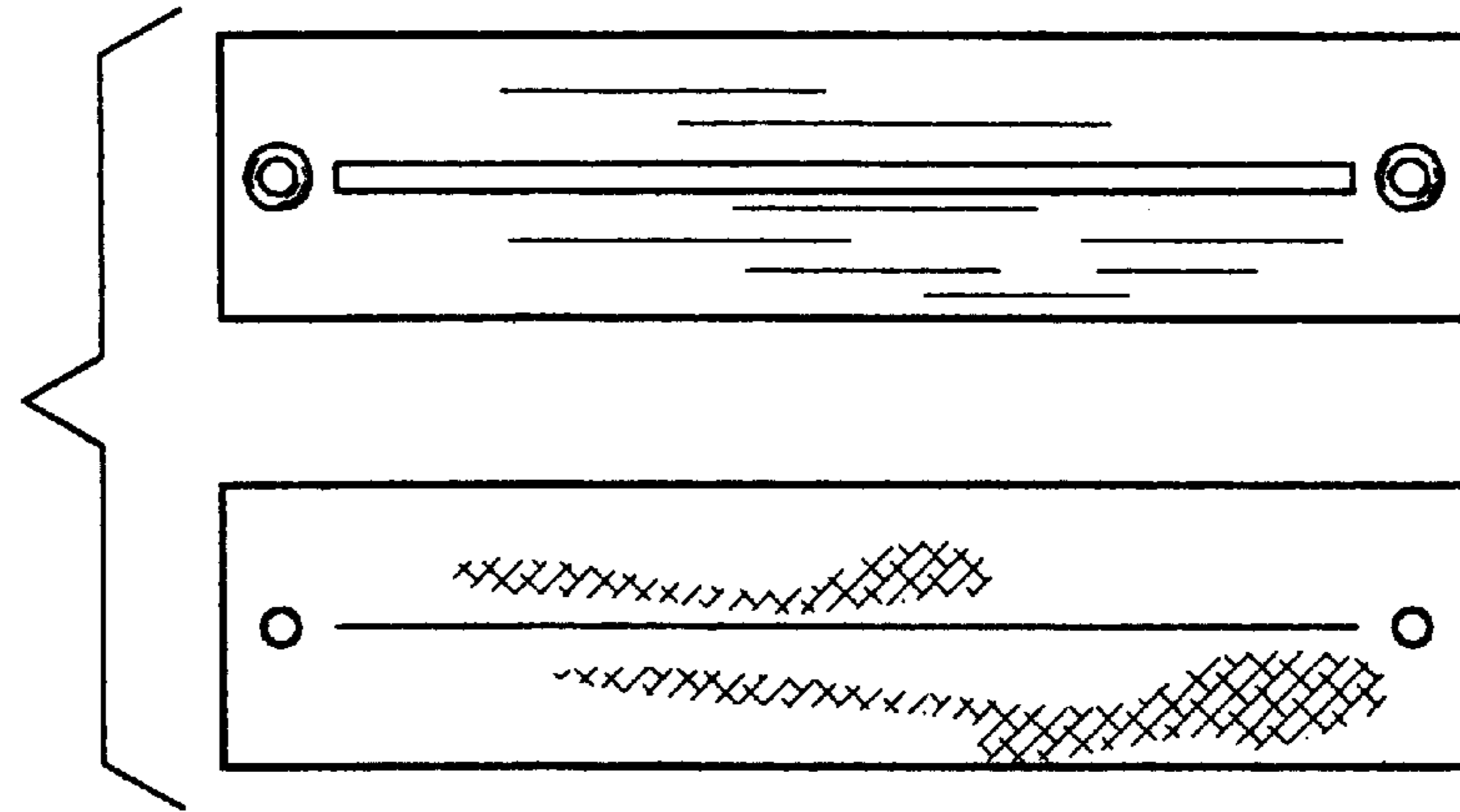


Fig.2

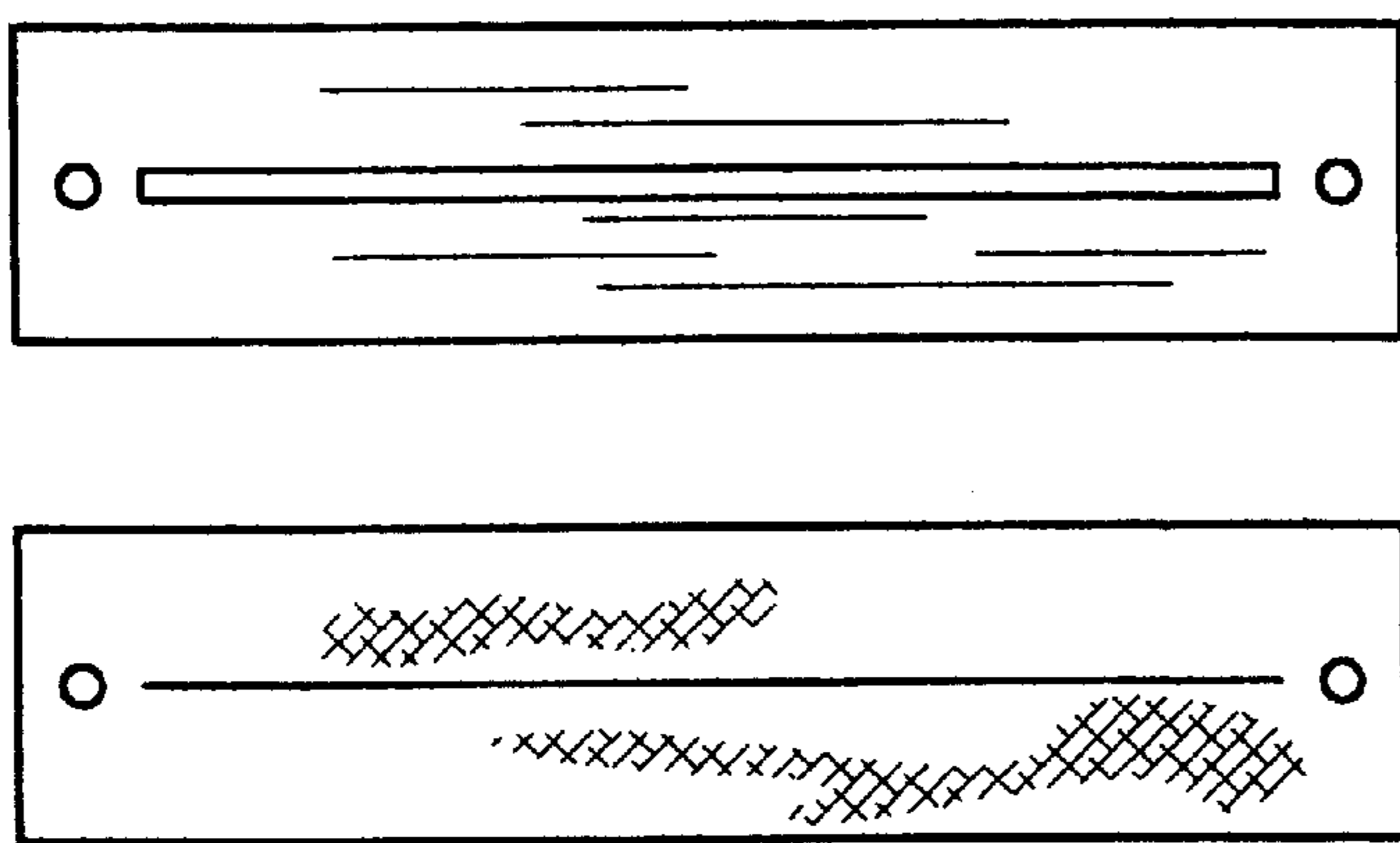


Fig.3

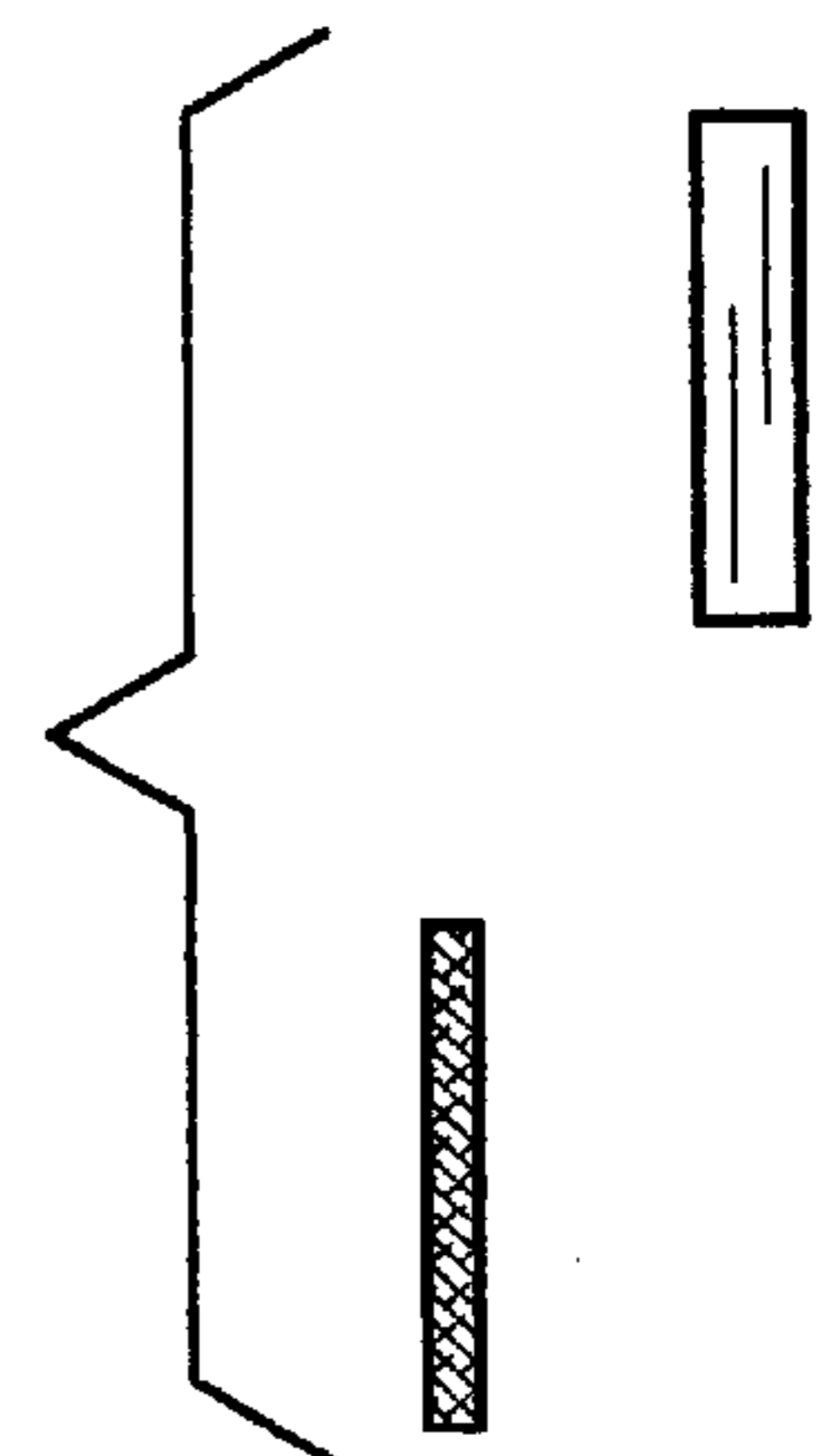
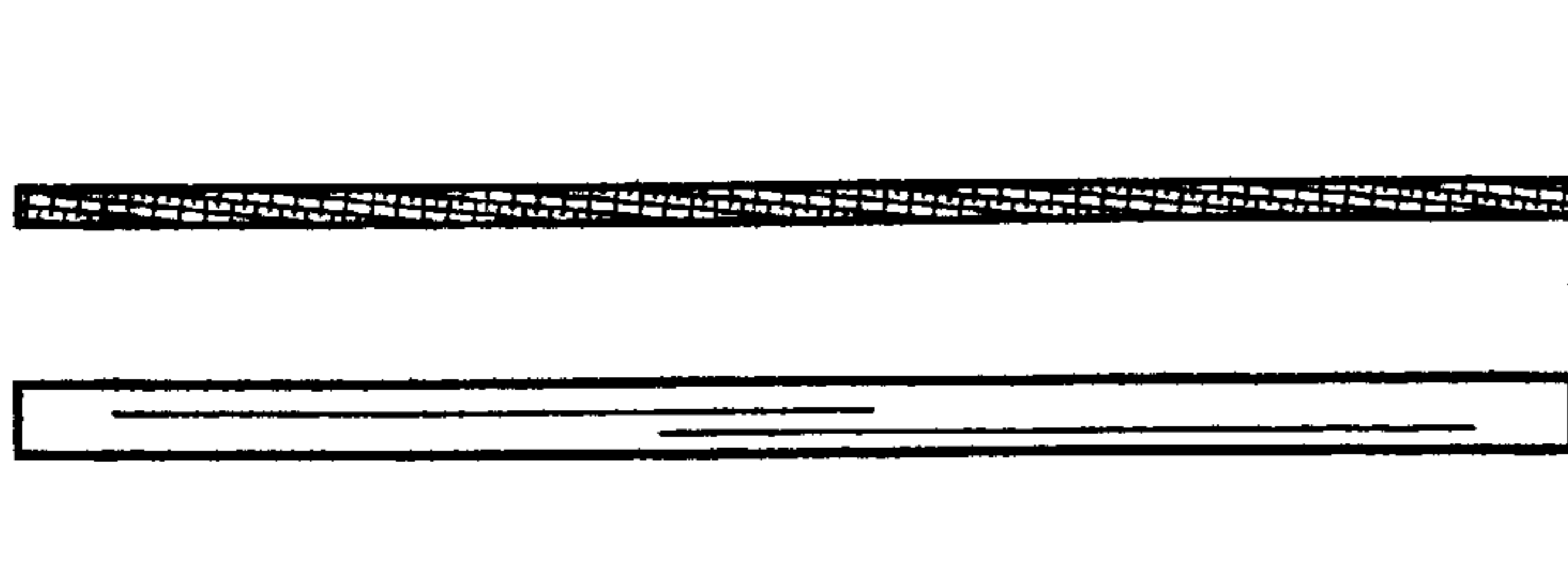


Fig.4



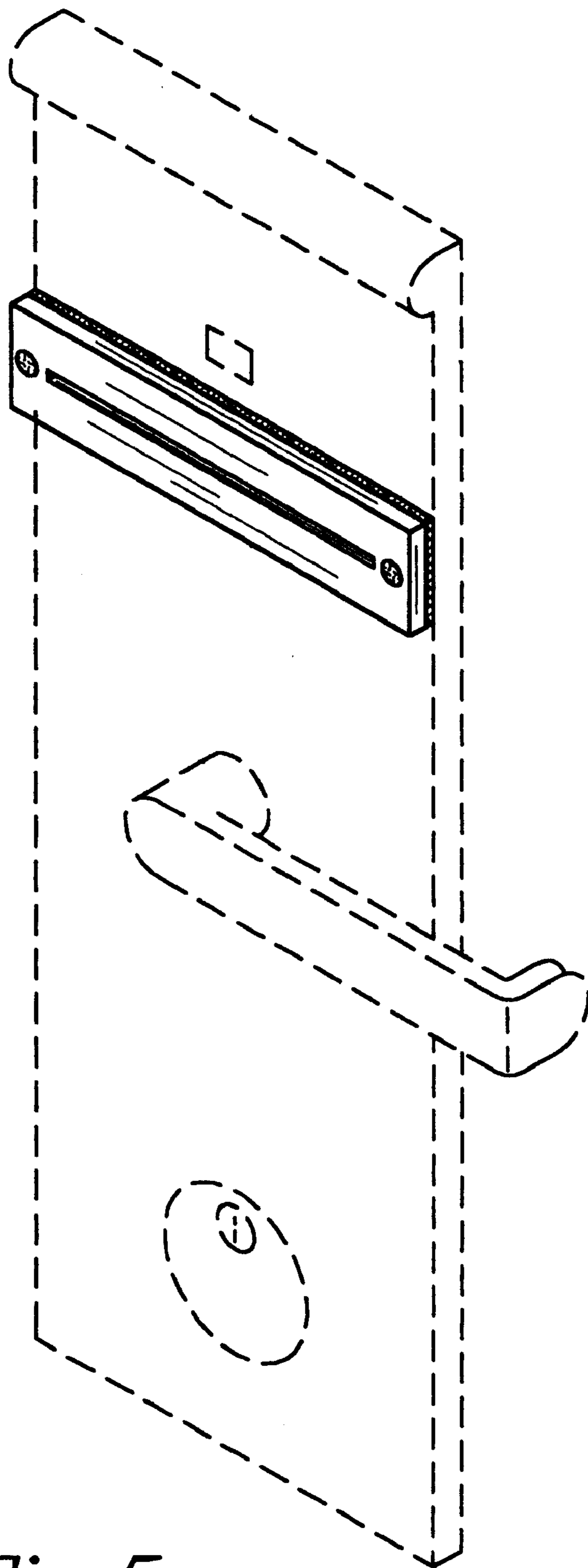


Fig. 5

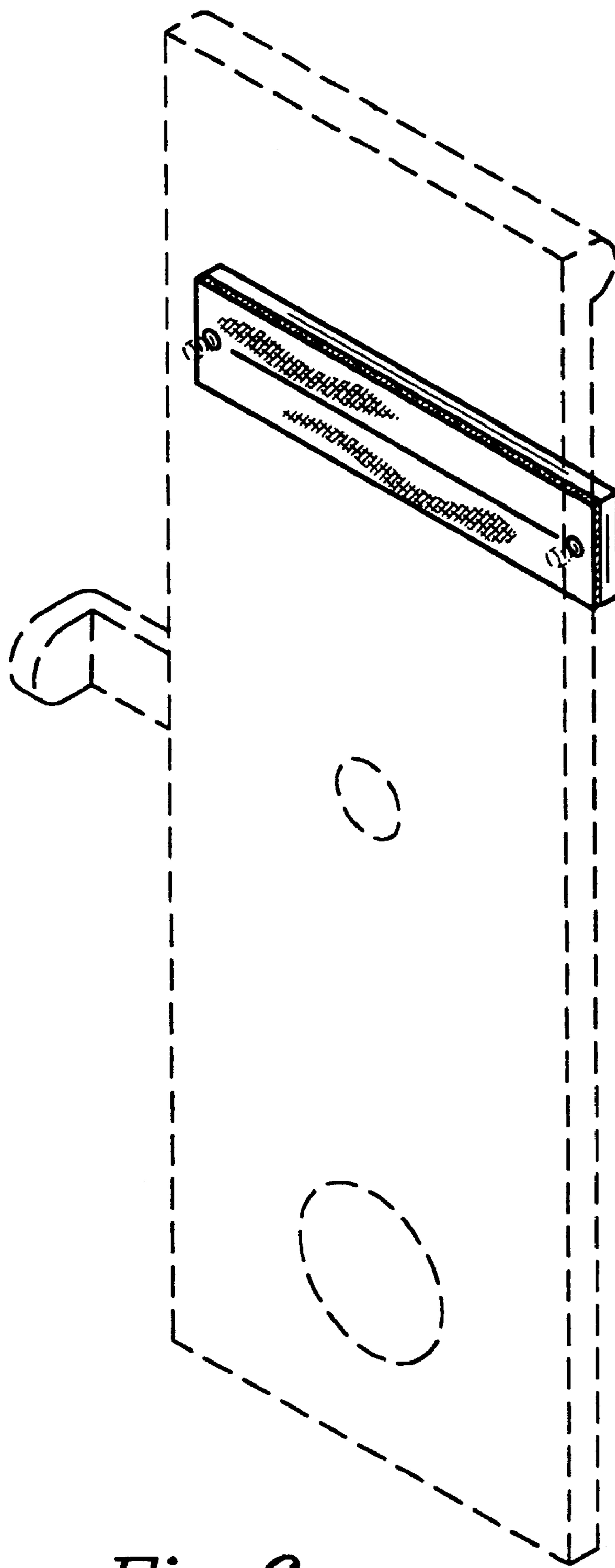


Fig. 6