



US00D445660S

(12) **United States Design Patent**
Okada

(10) **Patent No.:** **US D445,660 S**

(45) **Date of Patent:** **** Jul. 31, 2001**

(54) **CUTTER KNIFE**

5,711,077 * 1/1998 Schulz et al. 30/319

(75) Inventor: **Shoji Okada, Sakai (JP)**

OTHER PUBLICATIONS

(73) Assignee: **Olfa Corporation (JP)**

Olfa Product Guide, Cat. No. 97, p. 11, issued on Dec. 1996.

(**) Term: **14 Years**

* cited by examiner

(21) Appl. No.: **29/126,397**

Primary Examiner—Philip S. Hyder

(22) Filed: **Jul. 14, 2000**

(74) *Attorney, Agent, or Firm*—Ostrolenk, Faber, Gerb & Soffen, LLP

(30) **Foreign Application Priority Data**

(57) **CLAIM**

Jan. 27, 2000 (JP) 12-001096

The ornamental design for a cutter knife, as shown and described.

(51) **LOC (7) Cl.** **08-03**

DESCRIPTION

(52) **U.S. Cl.** **D8/98**

(58) **Field of Search** D8/98, 99, 51;
30/319, 292, 263, 307, 164.95

FIG. 1 is a front view of a cutter knife showing my new design;

(56) **References Cited**

FIG. 2 is a rear view thereof;

U.S. PATENT DOCUMENTS

- D. 298,409 * 11/1988 Sugiyama D8/98
- D. 341,764 * 11/1993 Birkholz D8/98
- D. 358,752 * 5/1995 Duvall D8/98
- 4,301,594 * 11/1981 Okada 30/292
- 4,601,103 * 7/1986 Sugiyama 30/162
- 5,144,749 * 9/1992 Chen 30/319
- 5,493,781 * 2/1996 Saito 30/162

FIG. 3 is a right end view thereof;

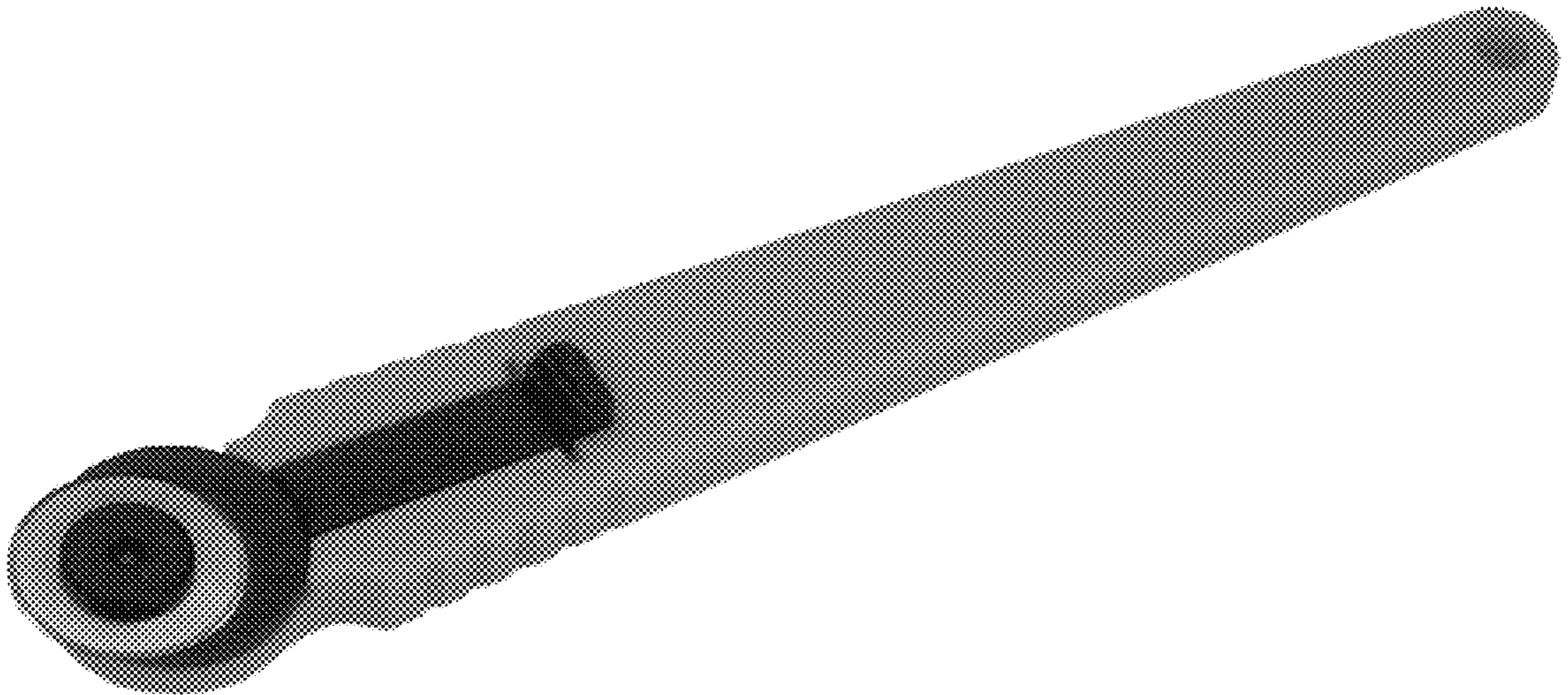
FIG. 4 is a left end view thereof;

FIG. 5 is a top plan view thereof, opposite bottom plan view being mirror image thereof;

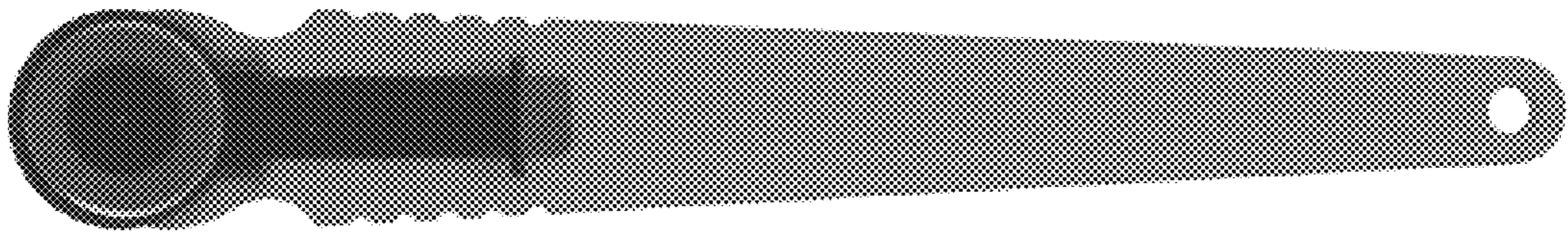
FIG. 6 is a perspective view thereof; and,

FIG. 7 is a perspective view thereof shown in an alternate condition.

1 Claim, 7 Drawing Sheets



F i g . 1



F i g . 2



Fig. 3

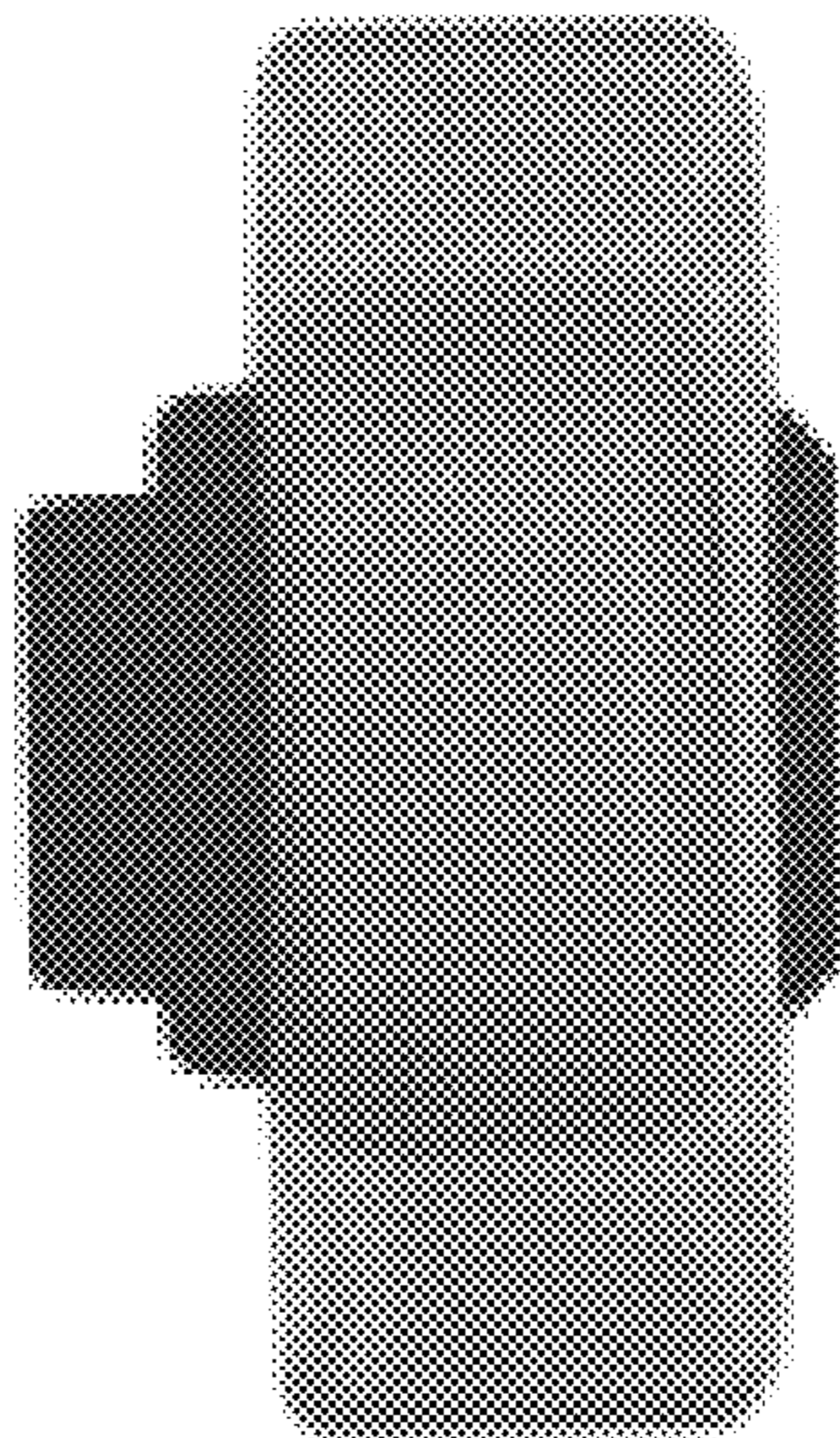
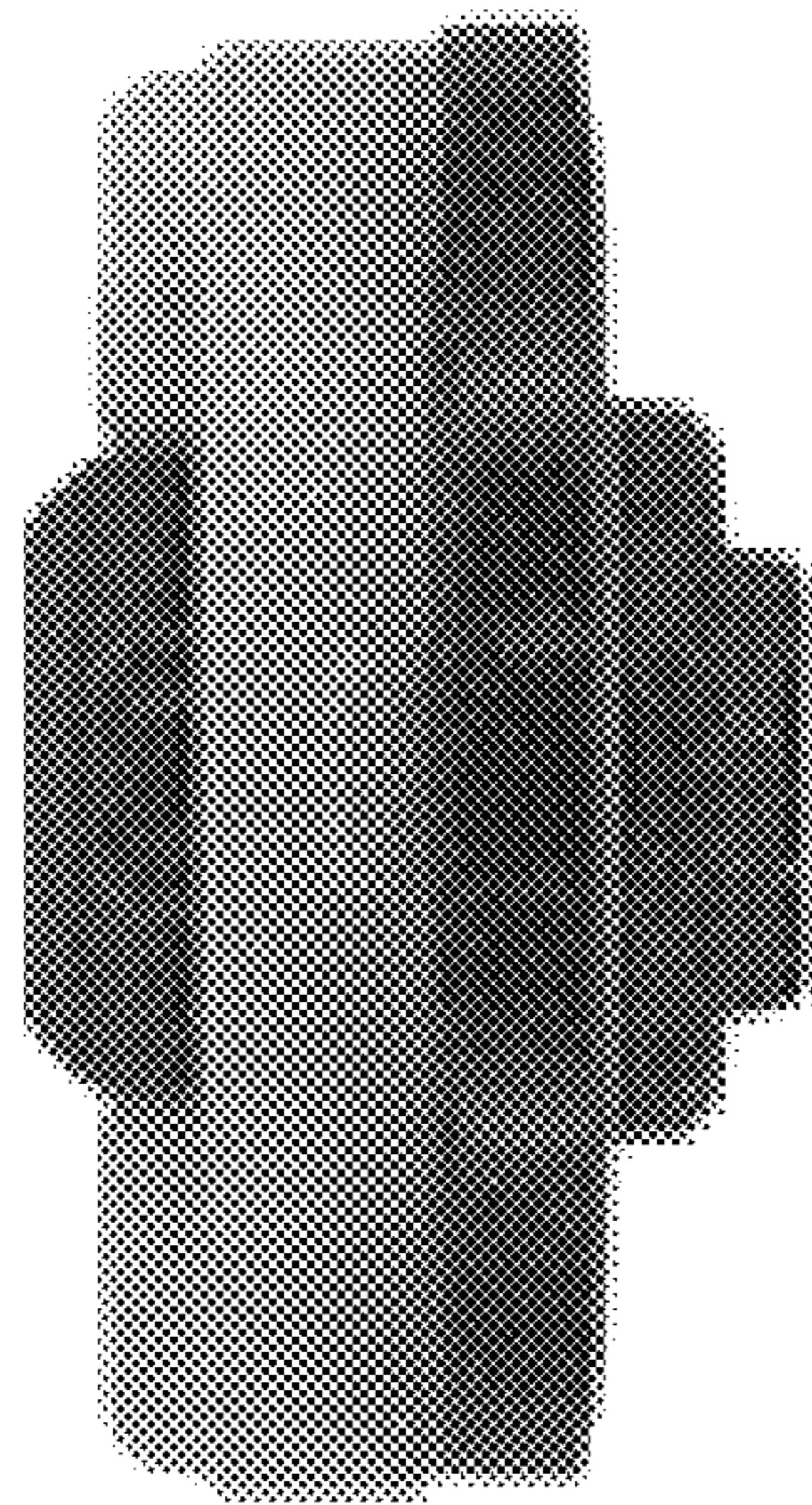


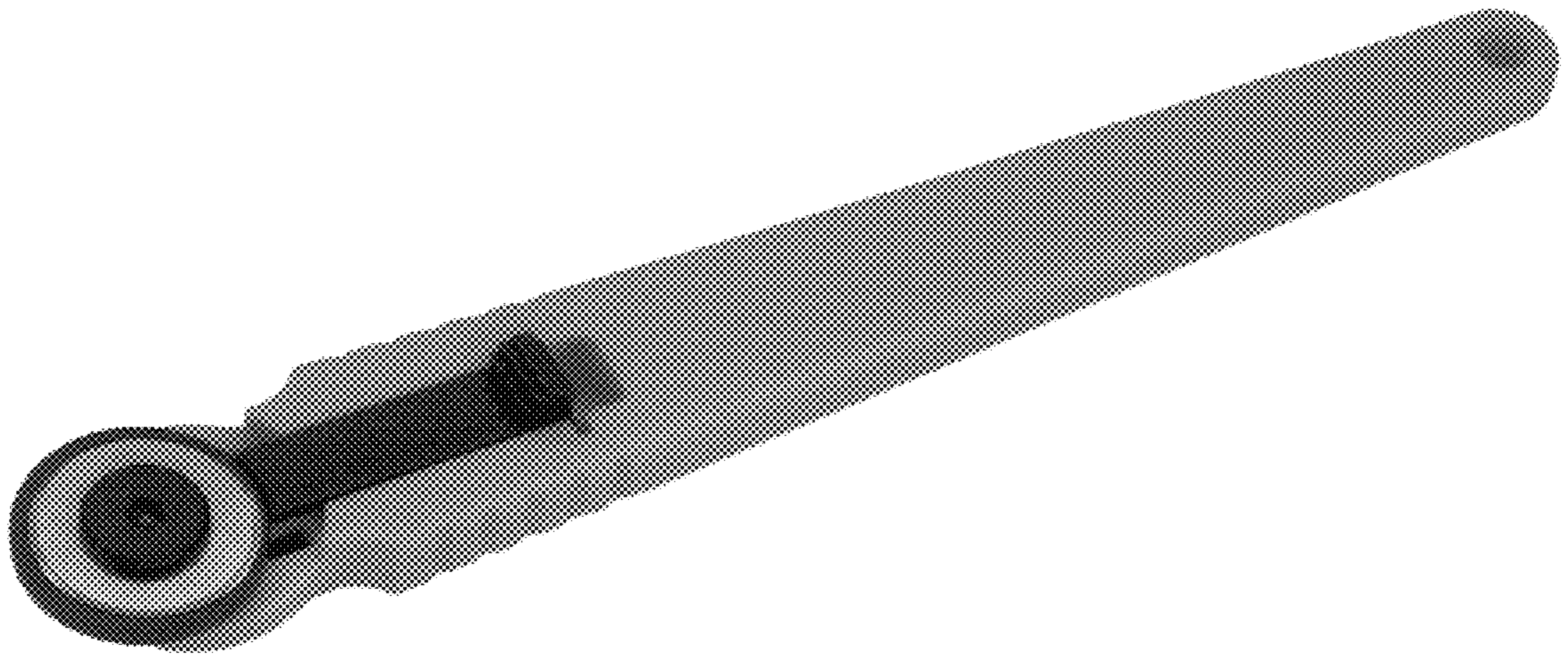
Fig. 4



F i g . 5



F i g . 6



F i g . 7

