



US00D445657S

(12) **United States Design Patent**  
**Jong**

(10) **Patent No.:** **US D445,657 S**

(45) **Date of Patent:** **\*\* Jul. 31, 2001**

(54) **CHAIN SAW**  
(75) Inventor: **Jung-Chang Jong**, Chungli (TW)  
(73) Assignee: **Jenn Feng Industrial Co., Ltd.**,  
Taoyuan (TW)  
(\*\*) Term: **14 Years**

4,785,540	*	11/1988	Arvidsson .....	30/520
4,796,360	*	1/1989	Fischer .....	30/384
5,184,403	*	2/1993	Schliemann .....	30/123.4
5,666,733	*	9/1997	Nitschmann .....	30/387
5,709,032	*	1/1998	Mizutani et al. ....	30/382
5,791,057	*	8/1998	Nakamura et al. ....	30/381
5,813,123	*	9/1998	Wieland et al. ....	30/382
5,915,795	*	6/1999	Nakamura et al. ....	30/382

(21) Appl. No.: **29/133,509**  
(22) Filed: **Nov. 29, 2000**  
(51) **LOC (7) Cl.** ..... **08-03**  
(52) **U.S. Cl.** ..... **D8/65**  
(58) **Field of Search** ..... D8/61-70, 7-9;  
81/57.11, 54, 57.42; 173/170; 30/381-387,  
371, 123.4

**OTHER PUBLICATIONS**

Remington Chain Saw advertisement.\*

\* cited by examiner

*Primary Examiner*—Jeffrey Asch

(57) **CLAIM**

The ornamental design for chain saw, as shown and described.

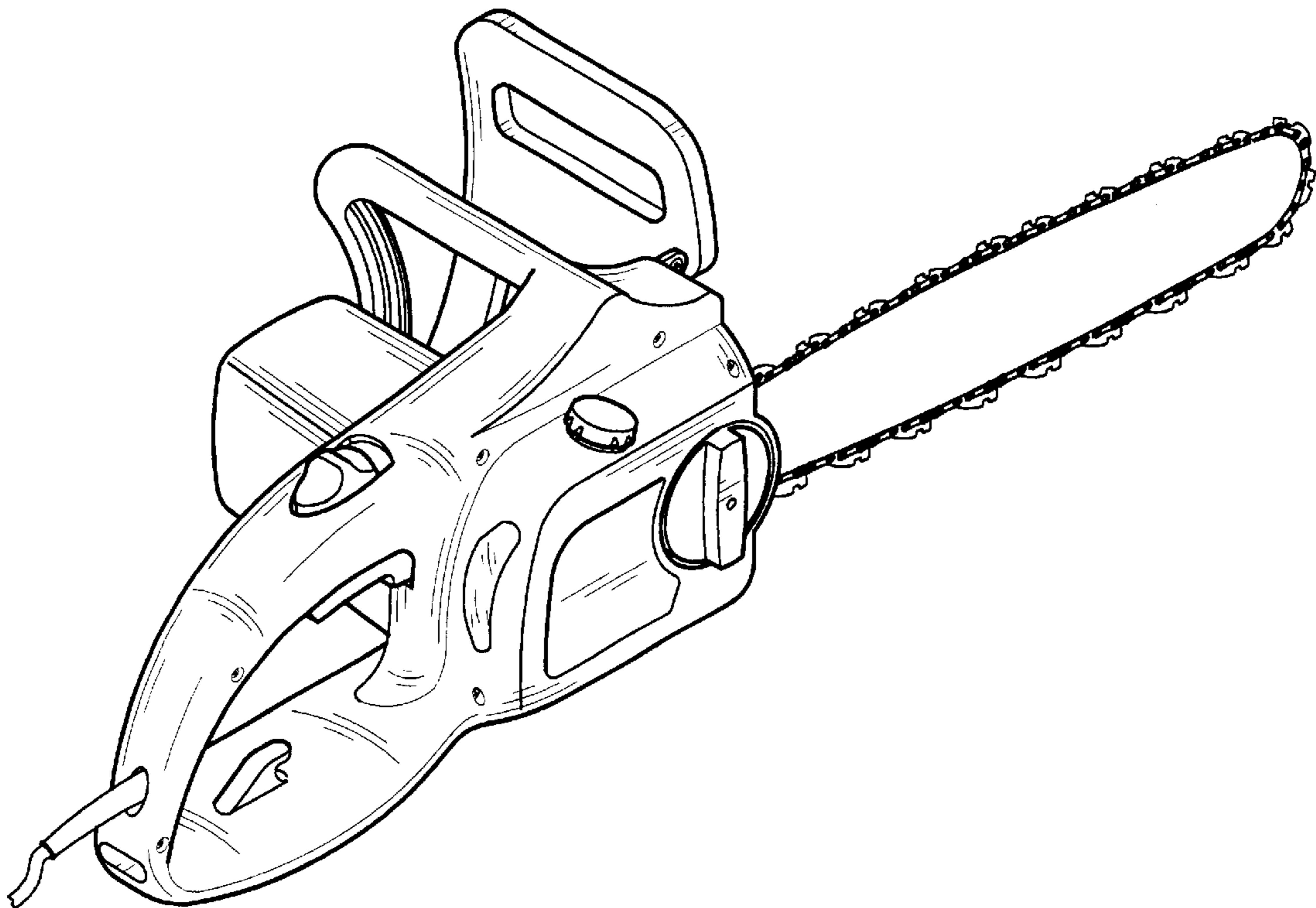
(56) **References Cited**  
**U.S. PATENT DOCUMENTS**

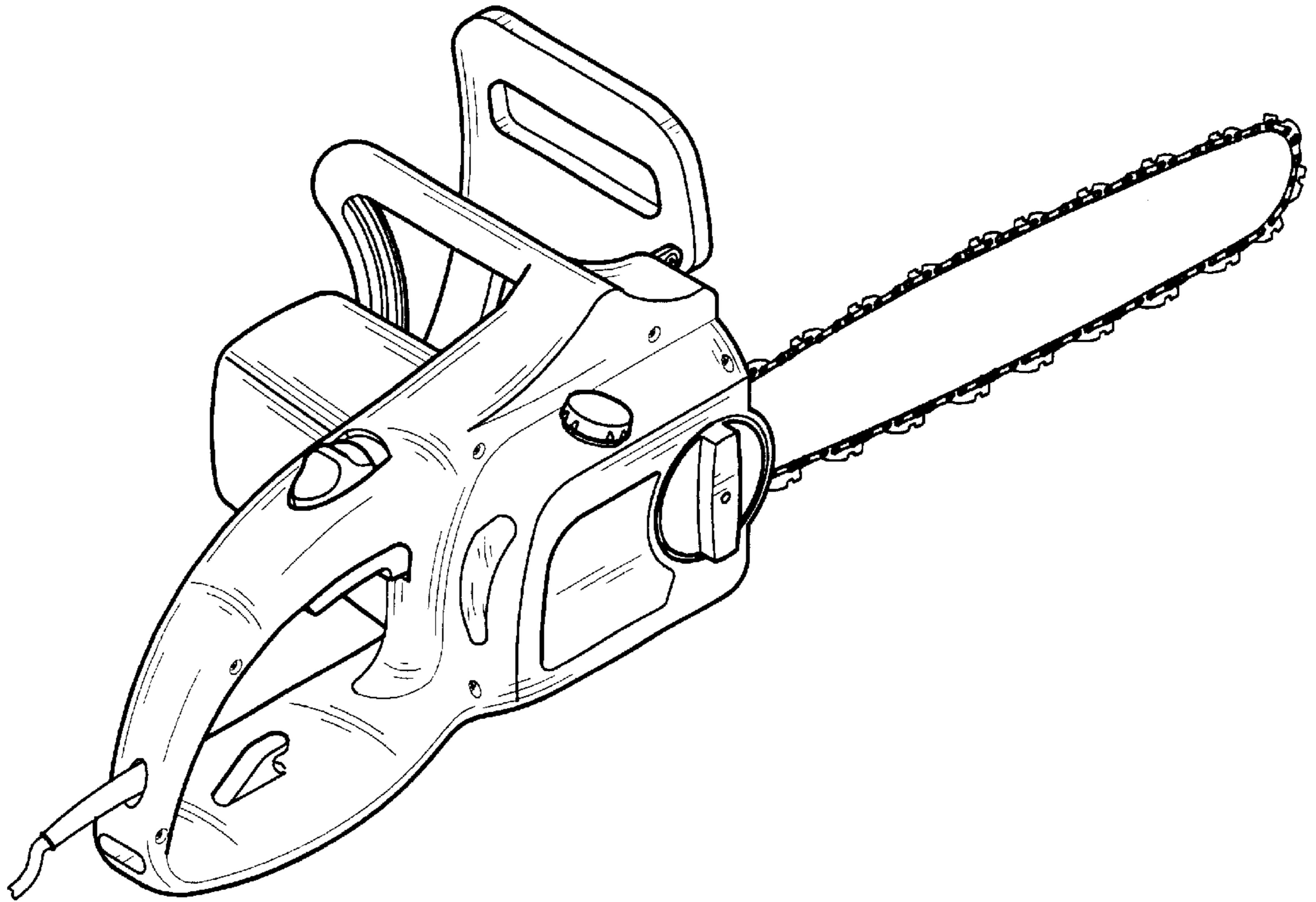
D. 288,896	*	3/1987	Yamamoto et al. ....	D8/65
D. 309,087		7/1990	Yamamoto et al. ....	D8/65
D. 350,680	*	9/1994	Berfield et al. ....	D8/65
D. 364,326		11/1995	Lohse et al. ....	D8/65
D. 377,441		1/1997	Hoppner et al. ....	D8/65
D. 382,451	*	8/1997	Kikuchi .....	D8/8
D. 385,766	*	11/1997	Kondo et al. ....	D8/65
D. 408,246	*	4/1999	Juratovac et al. ....	D8/65
D. 408,247	*	4/1999	Juratovac et al. ....	D8/65
4,785,539	*	11/1988	Nagashima .....	30/381

**DESCRIPTION**

FIG. 1 is a perspective view of chain saw showing my new design;  
FIG. 2 is a front elevational view thereof;  
FIG. 3 is a rear elevational view thereof;  
FIG. 4 is a left side elevational view thereof;  
FIG. 5 is a right side elevational view thereof;  
FIG. 6 is a top view thereof; and,  
FIG. 7 is a bottom view thereof.

**1 Claim, 7 Drawing Sheets**





**FIG. 1**

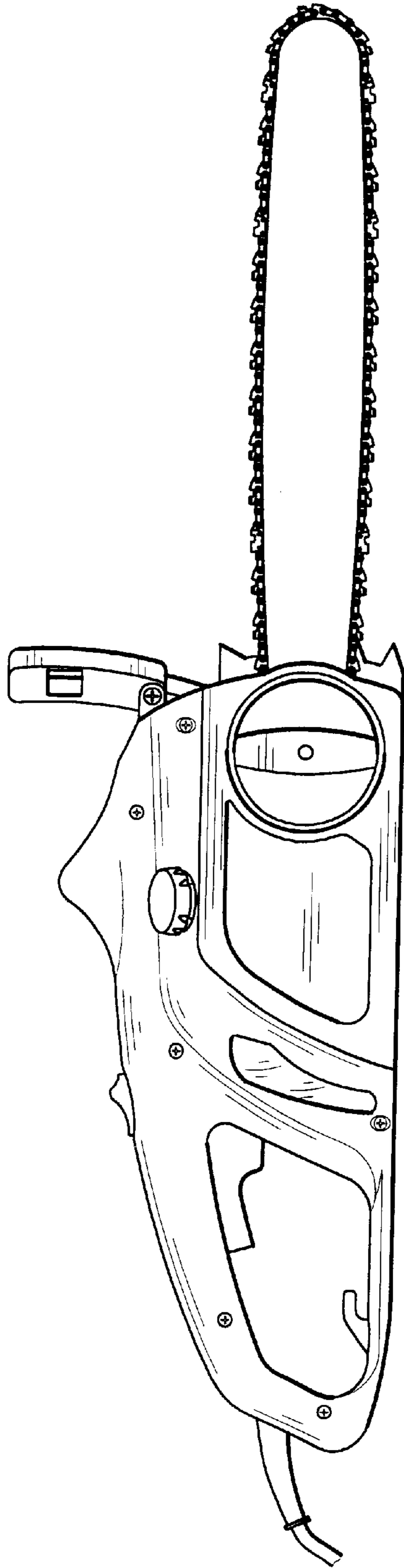


FIG. 2

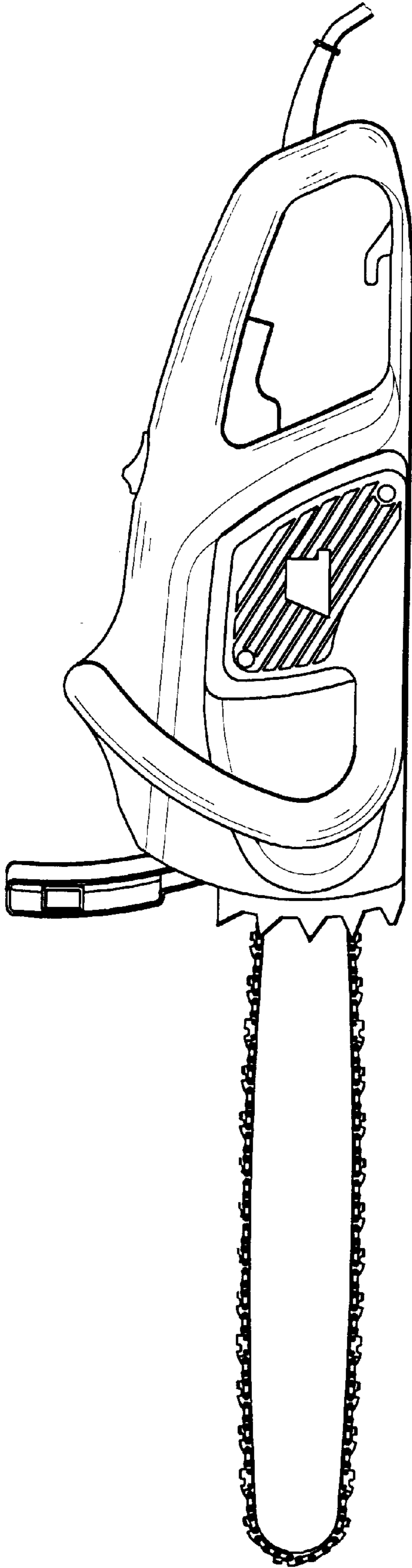
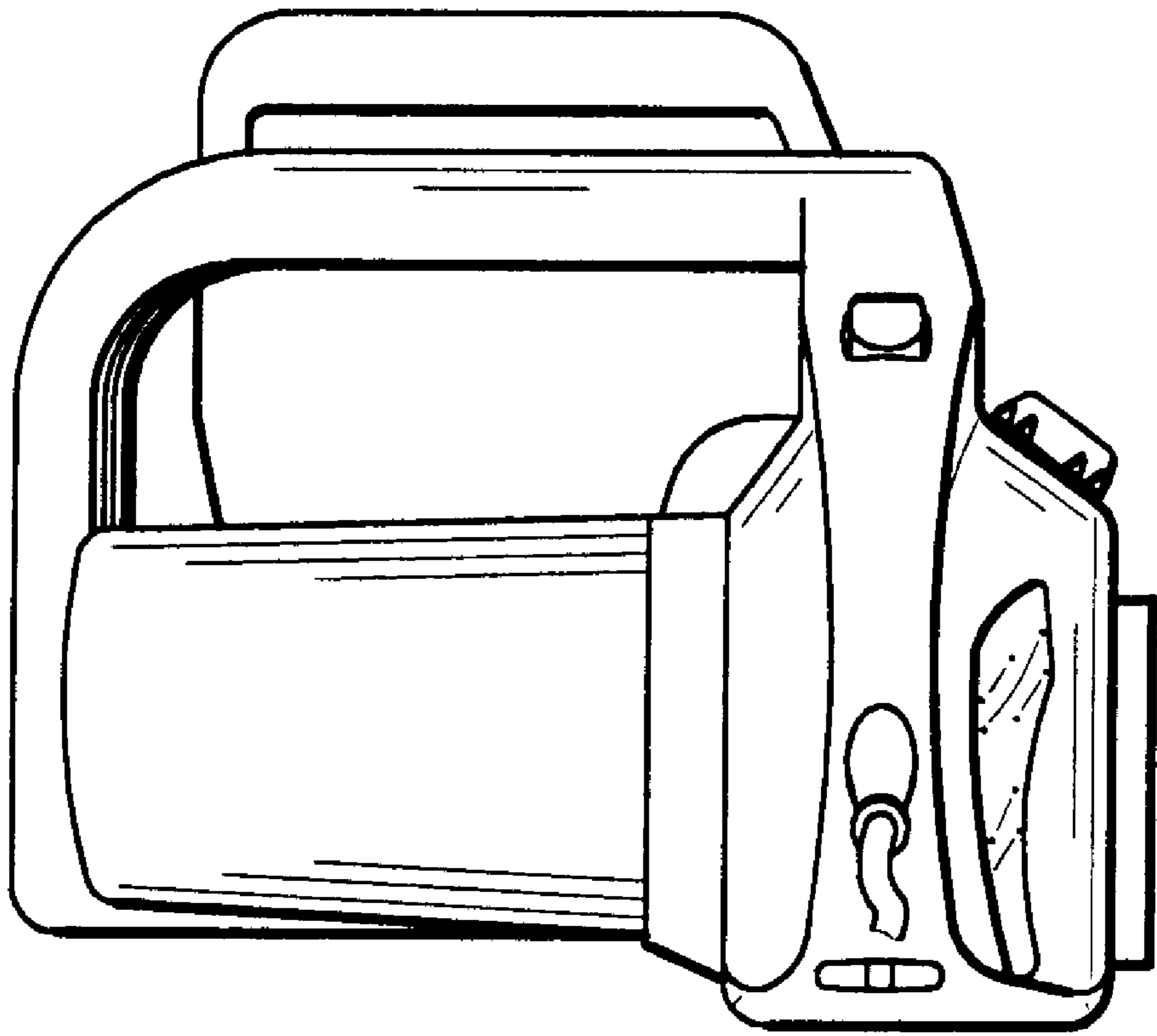
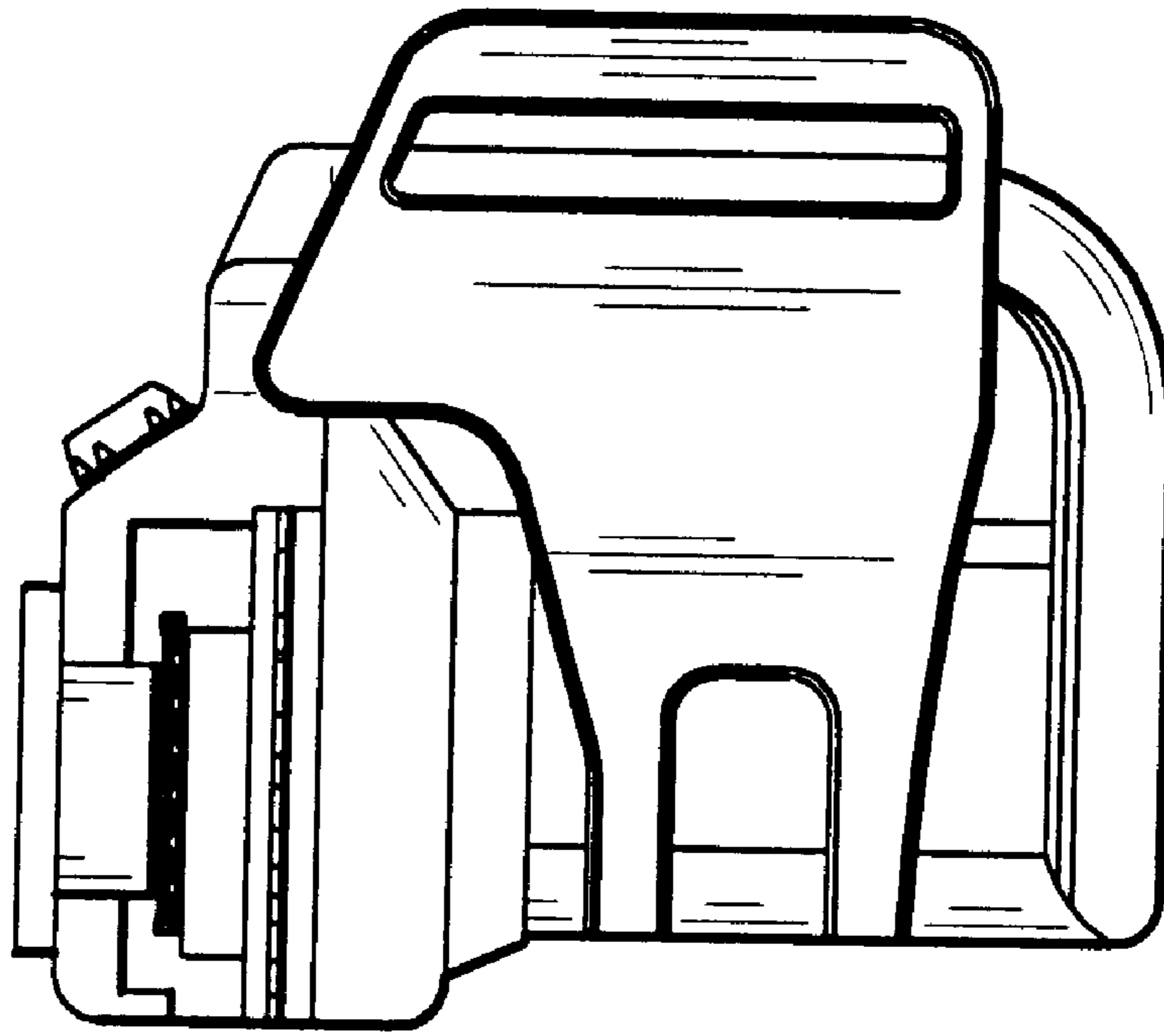


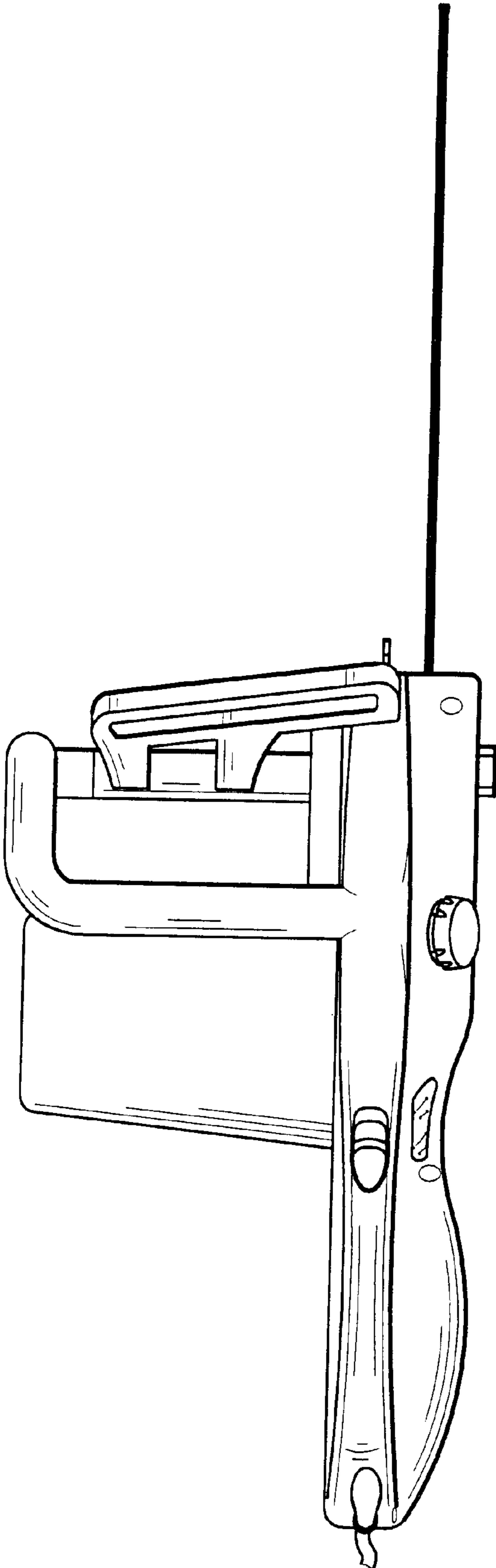
FIG. 3



**FIG. 4**



**FIG. 5**



**FIG. 6**



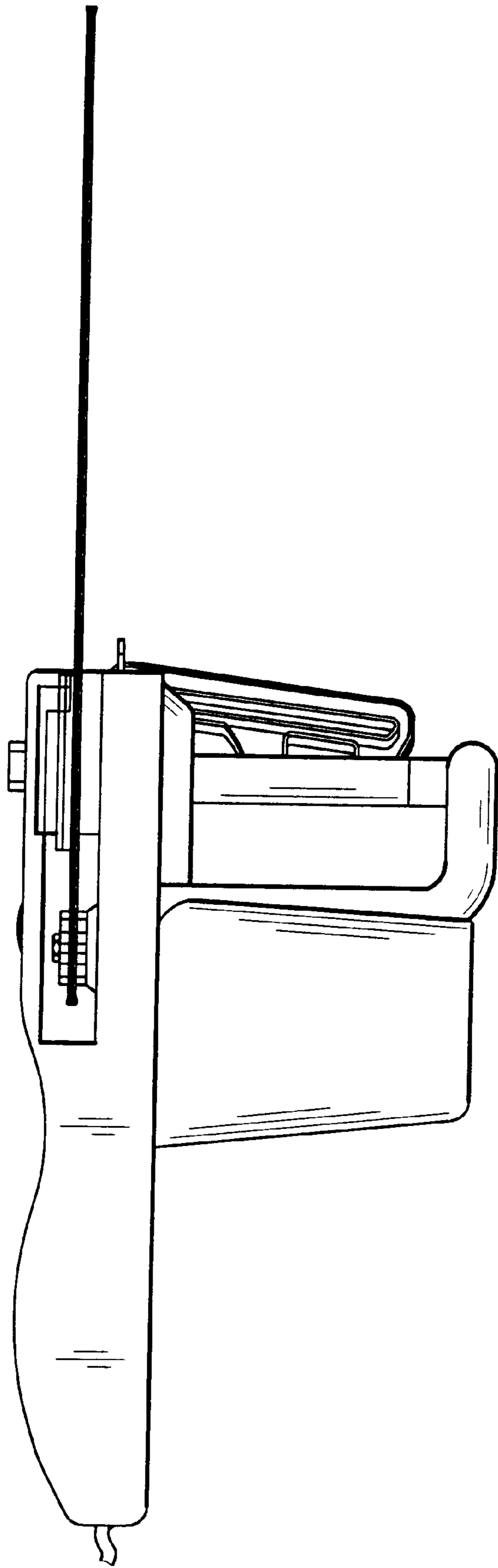


FIG. 7