



US00D445653S

(12) **United States Design Patent**  
**Smith**

(10) **Patent No.:** **US D445,653 S**

(45) **Date of Patent:** **\*\* Jul. 31, 2001**

(54) **FOOD ROASTING STICK**

2,838,990 \* 6/1958 Stiburski ..... 99/419  
5,775,207 \* 7/1998 Warren ..... 99/419 X

(76) Inventor: **Brian J. Smith**, 4915 Zachary La.,  
Plymouth, MN (US) 55442

\* cited by examiner

(\*\*) Term: **14 Years**

*Primary Examiner*—Terry A. Wallace

(21) Appl. No.: **29/127,406**

(74) *Attorney, Agent, or Firm*—Rider, Bennett, Egan &  
Arundel

(22) Filed: **Aug. 4, 2000**

(57) **CLAIM**

**Related U.S. Application Data**

The ornamental design for a food roasting stick, as shown  
and described.

(60) Provisional application No. 60/147,184, filed on Aug. 5,  
1999.

**DESCRIPTION**

(51) **LOC (7) Cl.** ..... **07-06**

FIG. 1 is a top plan view of the stick;

(52) **U.S. Cl.** ..... **D7/683**

FIG. 2 is a right side elevational view;

(58) **Field of Search** ..... D7/683, 672, 652;  
30/129, 322, 323; 99/419, 421 A, 441,  
339

FIG. 3 is a front elevational view;

FIG. 4 is a rear elevational view;

FIG. 5 is a bottom plan view; and,

FIG. 6 is a perspective view.

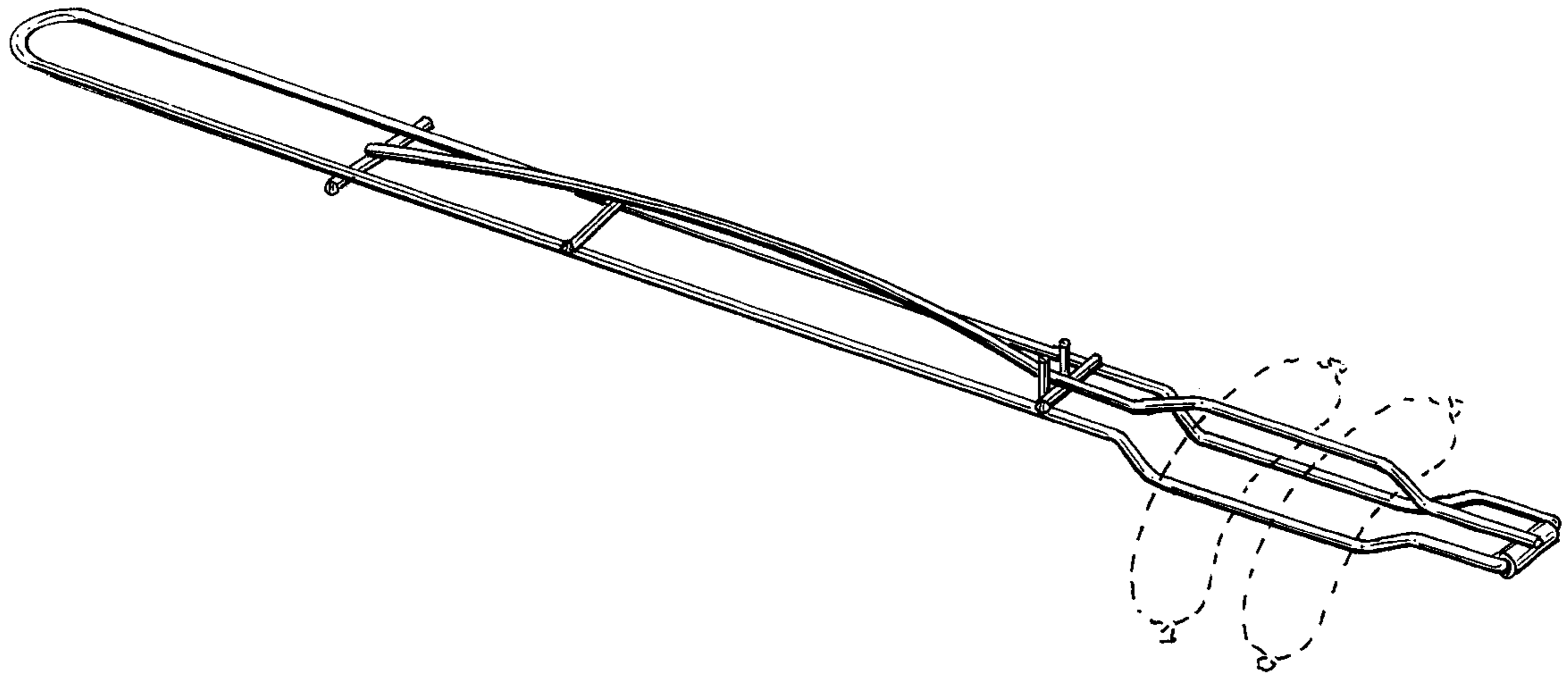
(56) **References Cited**

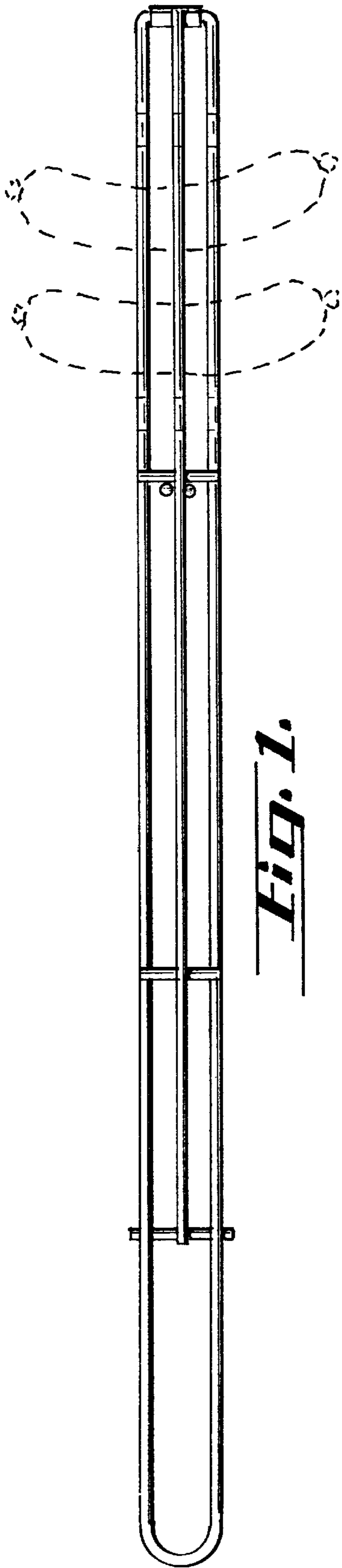
The broken line drawings of the foods mounted in the  
roasting stick are for illustrative purposes only and form no  
part of the claimed design.

**U.S. PATENT DOCUMENTS**

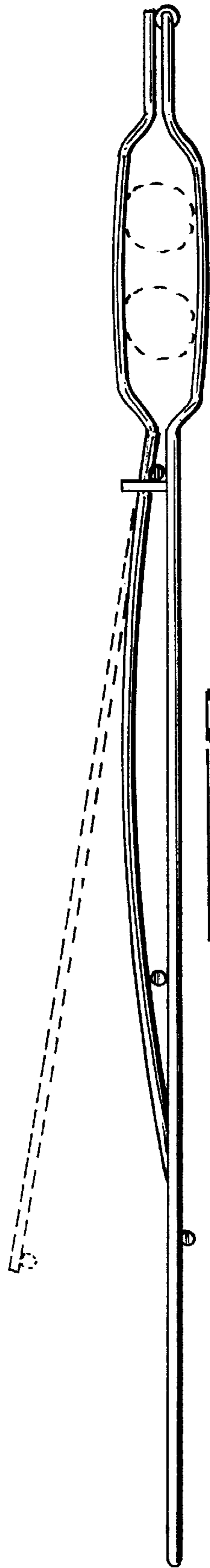
1,754,968 \* 4/1930 Smith ..... 99/419  
2,317,388 \* 4/1943 Lako, Jr. .... 99/419 X  
2,649,042 \* 8/1953 Wickman ..... 99/441

**1 Claim, 2 Drawing Sheets**

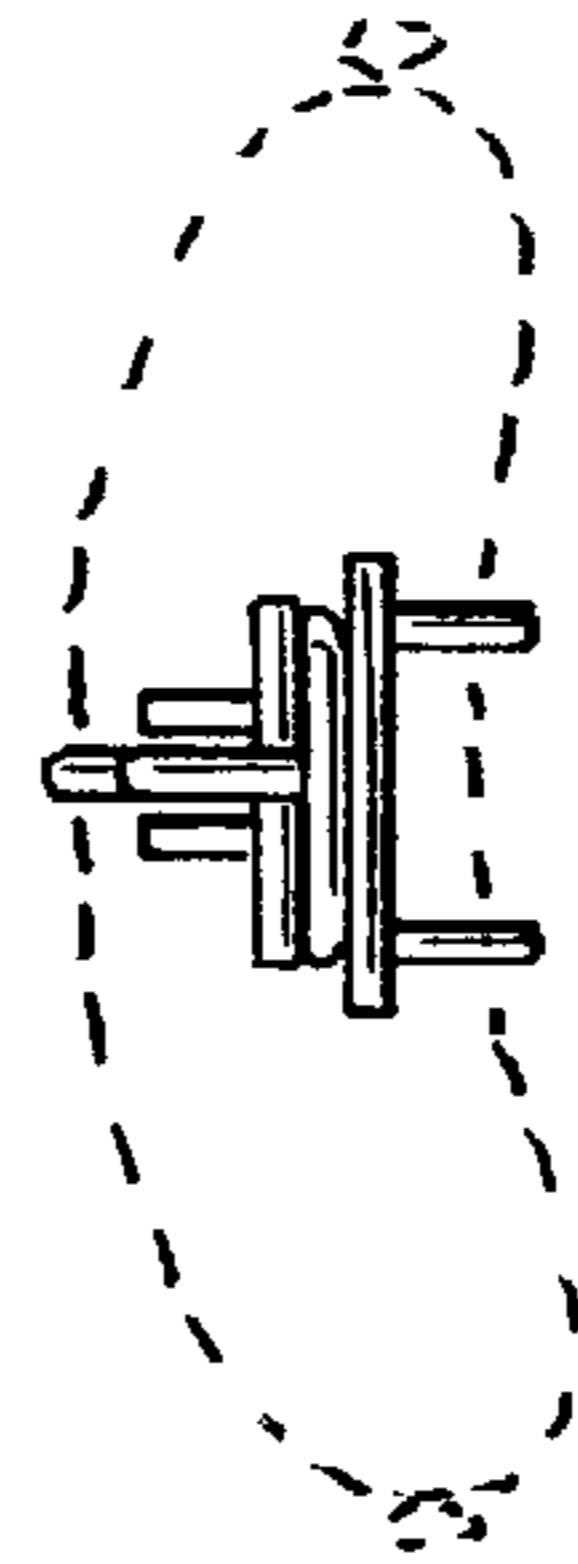




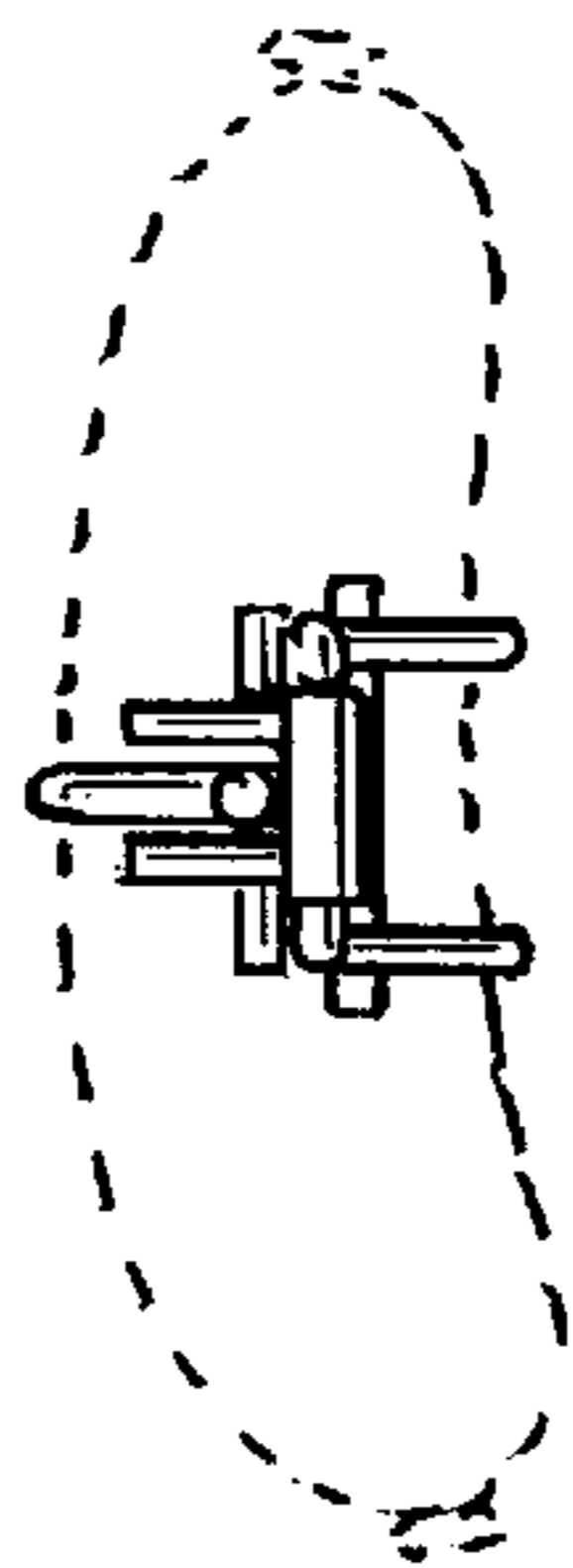
*Fig. 1.*



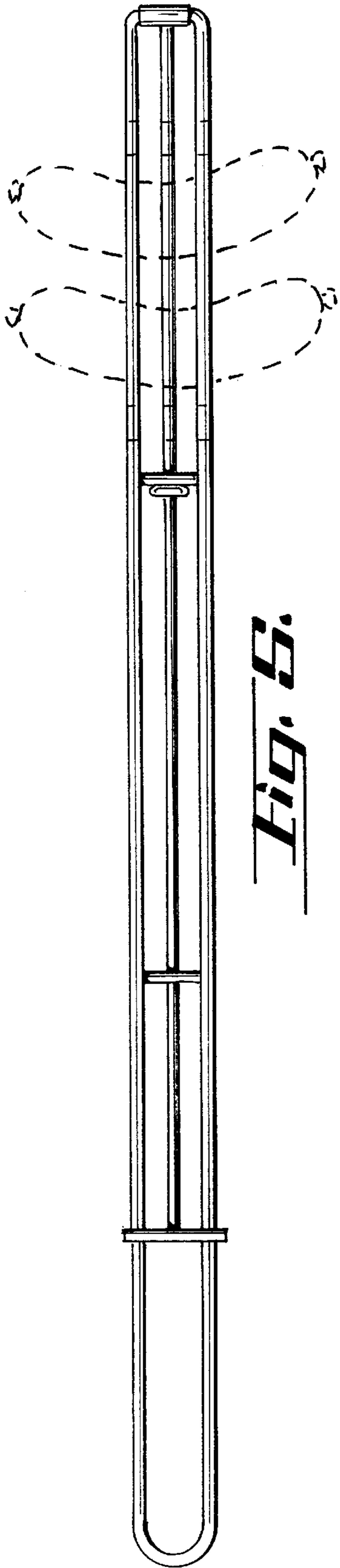
*Fig. 2.*



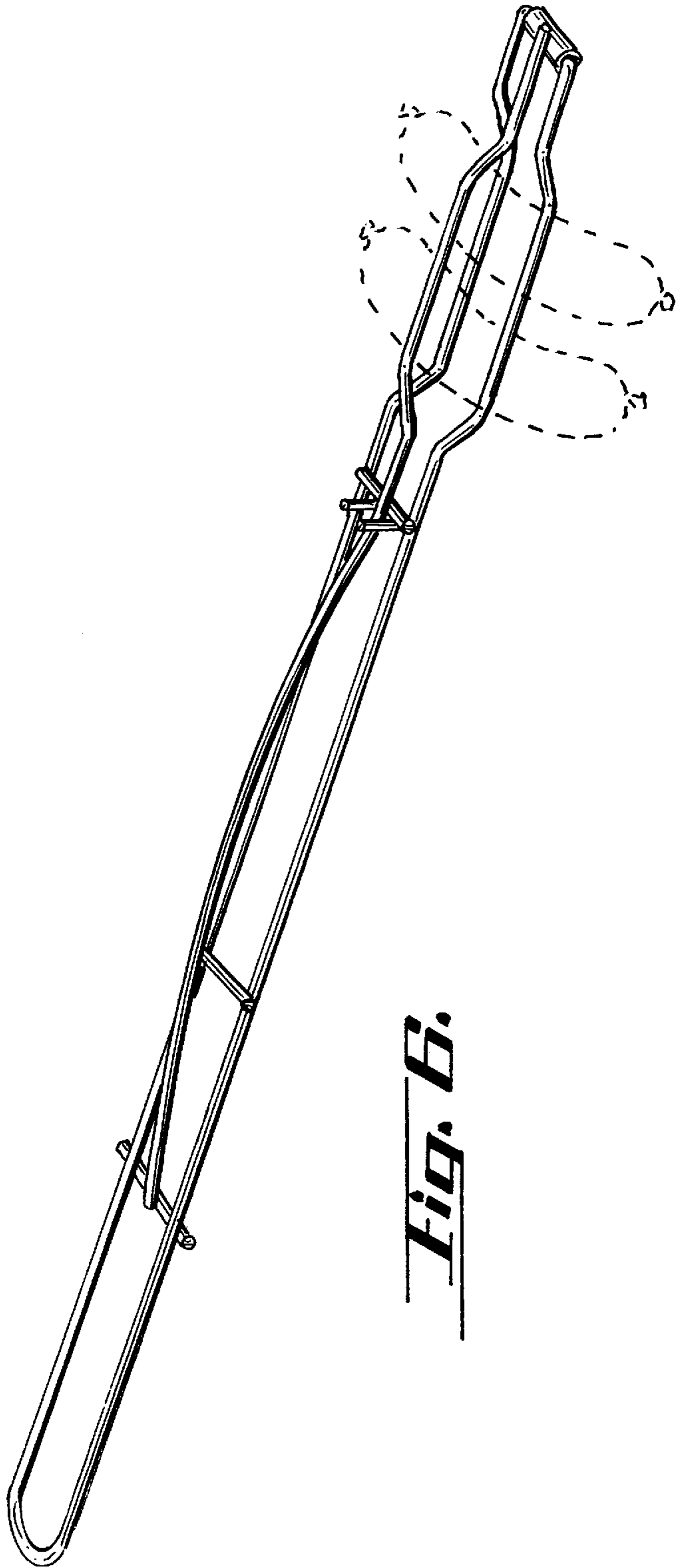
*Fig. 3.*



*Fig. 4.*



*Fig. 5.*



*Fig. 6.*