



US00D445640S

(12) **United States Design Patent**  
**Cruz et al.**

(10) **Patent No.:** **US D445,640 S**

(45) **Date of Patent:** **\*\* Jul. 31, 2001**

(54) **CARAFE HANDLE AND LID**

5,251,541 \* 10/1993 Anson et al. .... 99/280  
5,586,485 12/1996 Baumann .

(75) Inventors: **Anthony V. Cruz**, Westlake Village,  
CA (US); **Mark K. Romandy**,  
Midlothian, VA (US)

**OTHER PUBLICATIONS**

(73) Assignee: **Hamilton Beach/Proctor-Silex, Inc.**,  
Glen Allen, VA (US)

Specification and drawings forming part of commonly-  
owned design patent application No. 29/104,360 filed May  
4, 1999, and placed on sale during Sep. 1998.

(\*\*) Term: **14 Years**

Use and Care Manual titled "Use and Care Instructions for  
Melitta 10-12 Cup Replacement Coffee Carafe" published  
by Melitta 1997.

(21) Appl. No.: **29/093,866**

Five photographs dated Dec. 9, 1998 taken for purposes of  
this Information Disclosure Statement showing the Melitta  
carafe and adapter of Reference AR.

(22) Filed: **Sep. 21, 1998**

See information disclosure statement regarding offer for sale  
less than 1 year prior to filing date.

(51) **LOC (7) Cl.** ..... **07-01**

Front and rear covers and pp. 8 and 9 of 1998 Product  
Information Guide published in May 1998 by Hamilton  
Beach/Proctor-Silex, Inc.

(52) **U.S. Cl.** ..... **D7/392; D7/394; D7/392.1;**  
D7/322

Front and rear covers and p. 268 of '96/'97 Jewelry, Gift  
and Home Catalog published by Service Merchandise.

(58) **Field of Search** ..... D7/312, 313, 314,  
D7/317, 318, 319, 322, 300, 309, 392,  
393, 394, 392.1; 220/300; 99/279, 307,  
280, 283, 295; 222/475.1, 131, 183, 88;  
156/212

\* cited by examiner

(56) **References Cited**

*Primary Examiner*—M. N. Pandozzi

(74) *Attorney, Agent, or Firm*—Roger S. Dybvig

**U.S. PATENT DOCUMENTS**

(57) **CLAIM**

D. 288,517	3/1987	Kahlcke .	
D. 299,608	1/1989	Knochner .	
D. 302,371	* 7/1989	Tsuji .....	D7/319
D. 305,854	2/1990	Ryan .	
D. 326,206	* 5/1992	Rakocy et al. ....	D7/317
D. 326,386	5/1992	Rakocy et al. .	
D. 336,207	6/1993	Brookshire .	
D. 339,712	* 9/1993	Bunn et al. ....	D7/318
D. 346,298	4/1994	Brady et al. .	
D. 354,879	* 1/1995	Ullmann .....	D7/317
D. 355,329	* 2/1995	Ullmann .....	D7/317
D. 356,712	3/1995	Brady .	
D. 359,195	6/1995	Mukai et al. .	
D. 365,492	12/1995	Rorke .....	D7/317
D. 368,826	4/1996	Storsberg .	
D. 371,270	7/1996	Bell et al. .	
D. 378,722	4/1997	Brady .....	D7/317
D. 389,005	1/1998	Brady .	
4,854,992	* 8/1989	Kramer .....	156/212
4,986,171	* 1/1991	Precht .....	99/279

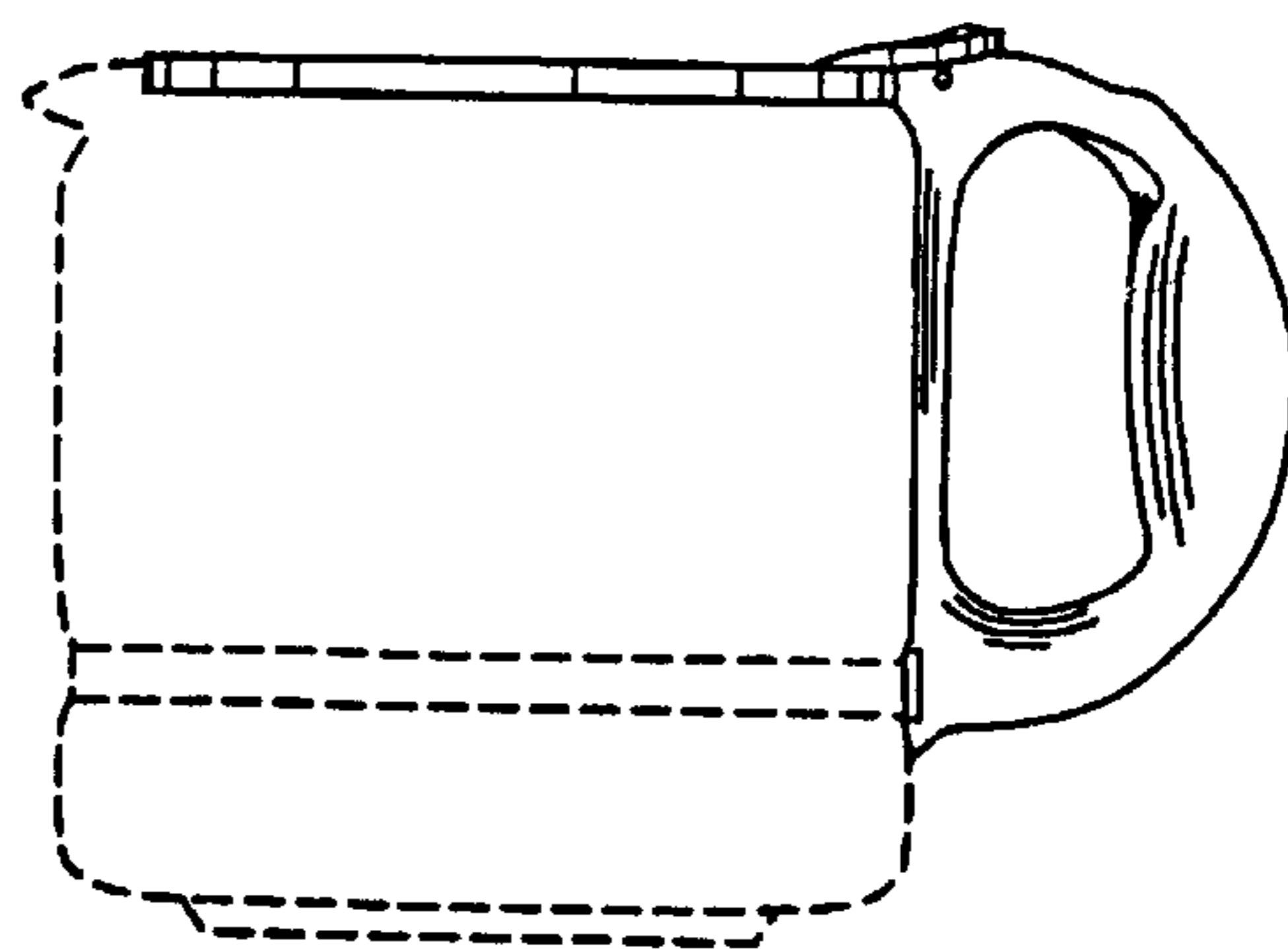
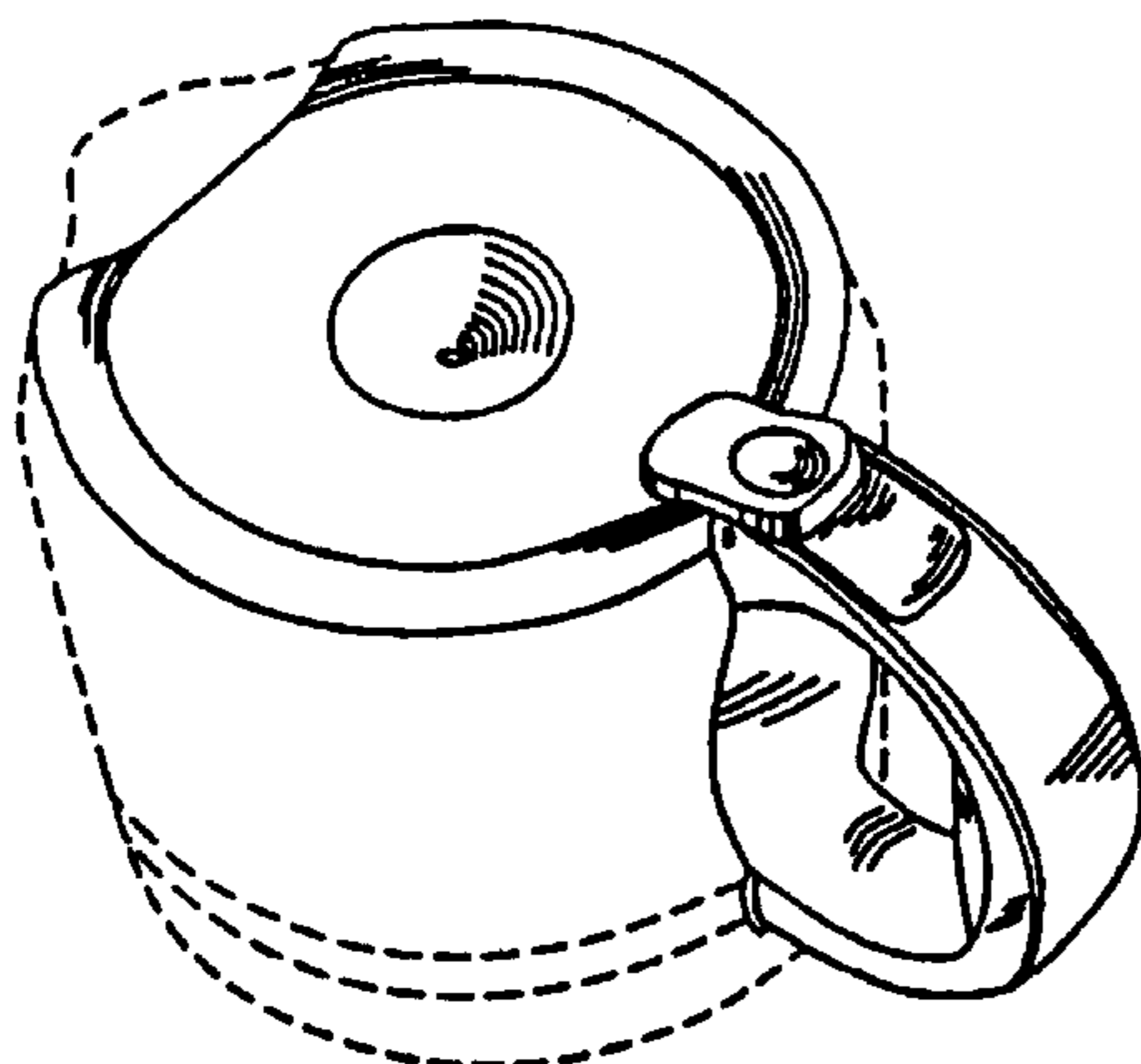
The ornamental design for a carafe handle and lid, as shown  
and described.

**DESCRIPTION**

FIG. 1 is a perspective view as seen from the top, rear, and  
right side of a carafe handle and lid showing our new design;  
FIG. 2 is a right side elevational view thereof;  
FIG. 3 is a rear elevational view thereof;  
FIG. 4 is a top plan view thereof; and,  
FIG. 5 is a front elevational view thereof.

The broken lines in FIGS. 1 through 5 showing the glass  
carafe and the broken lines in FIGS. 1, 2, 3, and 5 showing  
the handle support strap of the carafe handle and lid are used  
for illustrative purposes only and form no part of the claimed  
design.

**1 Claim, 1 Drawing Sheet**



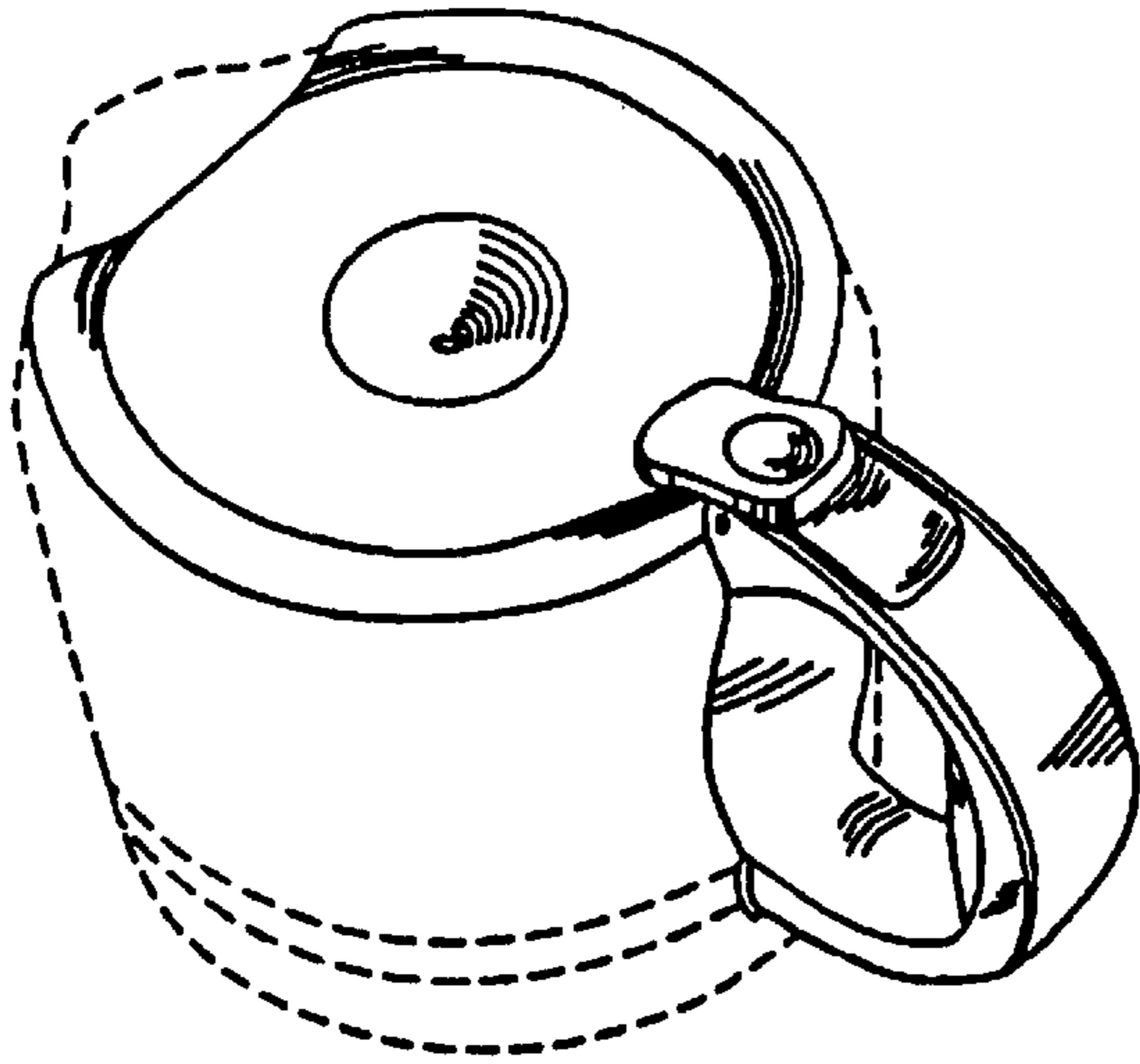


FIG. 1

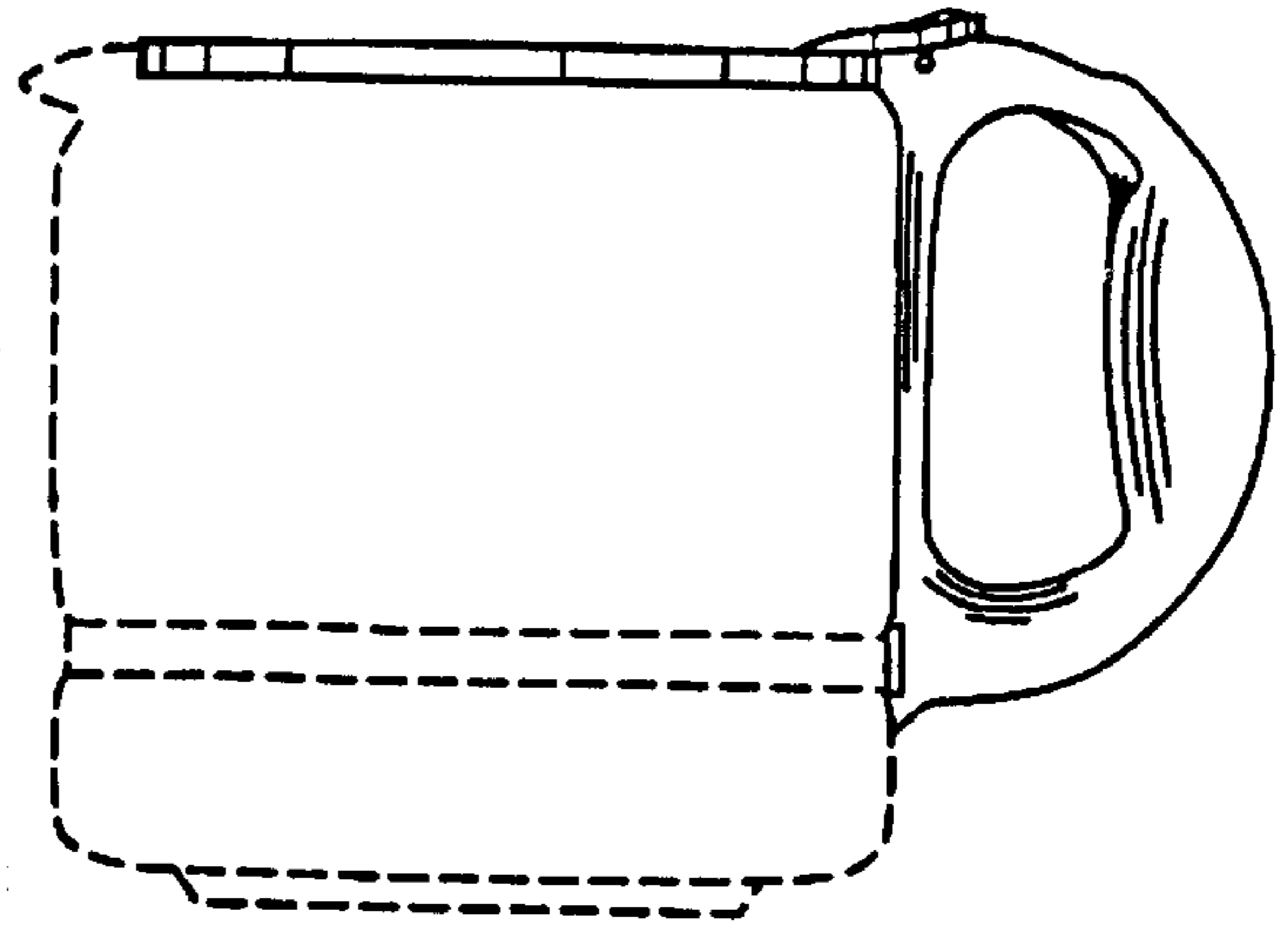


FIG. 2

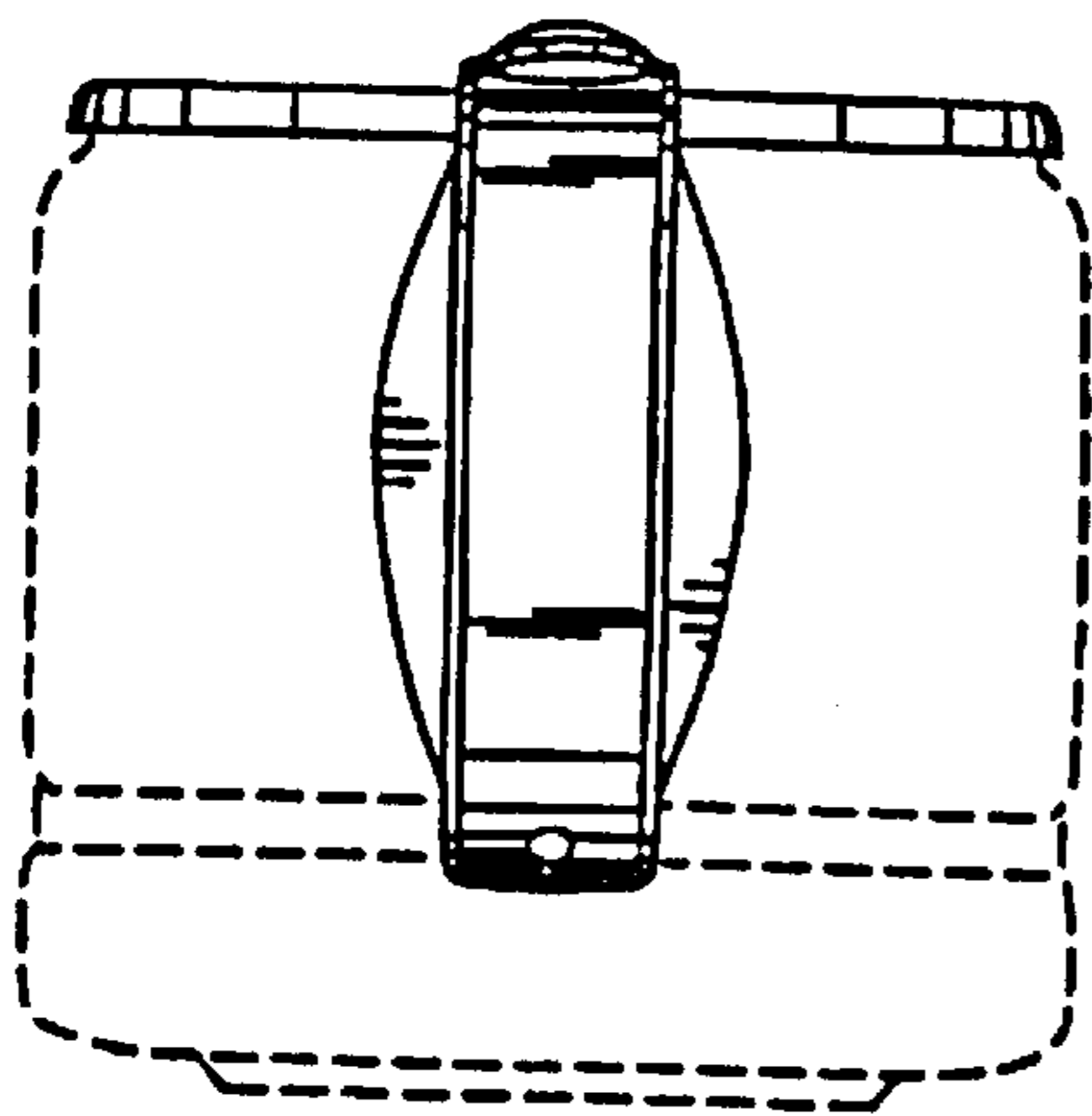


FIG. 3

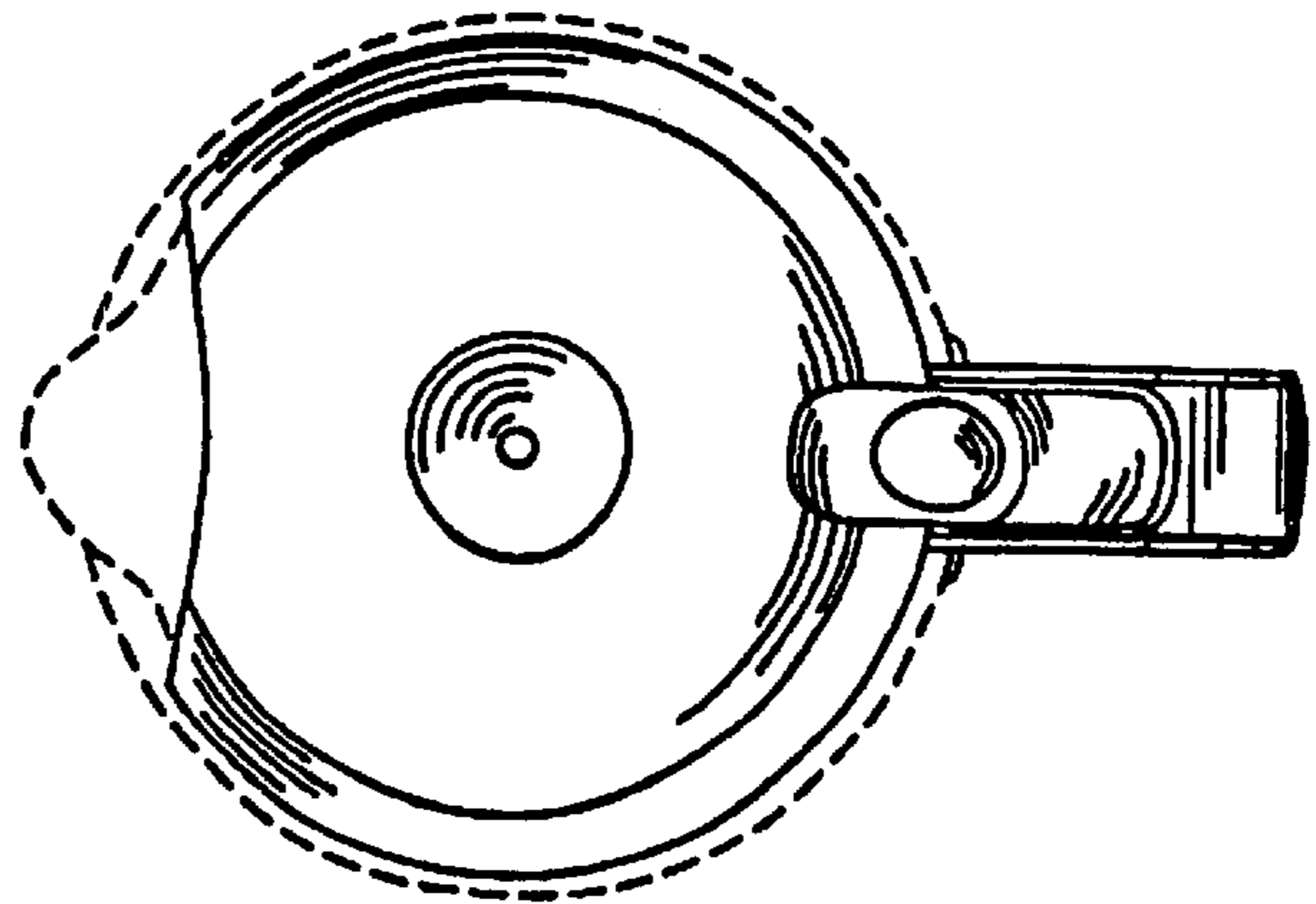


FIG. 4



FIG. 5