



US00D445636S

(12) **United States Design Patent**
Spagnolo

(10) **Patent No.:** **US D445,636 S**

(45) **Date of Patent:** **** Jul. 31, 2001**

(54) **FOOD PROCESSOR**

(75) **Inventor:** **Pino Spagnolo, Turin (IT)**

(73) **Assignee:** **Conair Corporation, Stamford, CT (US)**

(**) **Term:** **14 Years**

(21) **Appl. No.:** **29/121,182**

(22) **Filed:** **Mar. 31, 2000**

(51) **LOC (7) Cl.** **31-00**

(52) **U.S. Cl.** **D7/384**

(58) **Field of Search** D7/376-378, 384,
D7/386, 412, 413; 241/282.1; 366/129,
130, 197, 199, 204, 205, 314; 99/509-511

(56) **References Cited**

U.S. PATENT DOCUMENTS

D. 155,089	*	9/1949	Karstadt	D7/378
D. 251,231	*	3/1979	Hashimoto	D7/384
D. 251,407		3/1979	Tsuji et al.	D7/384
D. 254,161	*	2/1980	Verdun	D7/384
D. 256,087	*	7/1980	Minami	D7/384
D. 258,109		2/1981	Fukumoto et al.	D7/384
D. 259,992		7/1981	Kahicke	.	
D. 261,718		11/1981	Harrison	D7/153
D. 277,634	*	2/1985	Doggett	D7/386
D. 290,676		7/1987	Stutzer et al.	D7/384
D. 296,860		7/1988	Maass	D7/384
D. 296,976		8/1988	Maass	D7/384
D. 298,204		10/1988	Mikami	D7/384
D. 301,297	*	5/1989	Barrault	D7/384
D. 301,824	*	6/1989	Machuron	D7/384

D. 324,322		3/1992	Barrault	D7/384
D. 325,322		4/1992	Maass	D7/384
D. 327,806	*	7/1992	Fleche	D7/384
D. 335,065		4/1993	Gildersleeve	D7/384
D. 390,413		2/1998	Hippen et al.	D7/384
D. 390,746		2/1998	Hippen et al.	D7/384
D. 410,816		6/1999	Crescenzi et al.	D7/384
D. 421,363		3/2000	Crescenzi et al.	D7/384
D. 426,423	*	6/2000	Lee	D7/384
2,757,909	*	8/1956	Wayne	241/282.2
3,892,365		7/1975	Verdun	241/92
4,516,733		5/1985	Funagura et al.	241/79
4,691,870		9/1987	Fukunaga et al.	241/36
4,714,203		12/1987	Williams	241/36
5,222,430		6/1993	Wang	99/512

* cited by examiner

Primary Examiner—Caron D. Veynar
(74) *Attorney, Agent, or Firm*—Ohlandt,Greeley,
Ruggiero,& Perle, L.L.P.

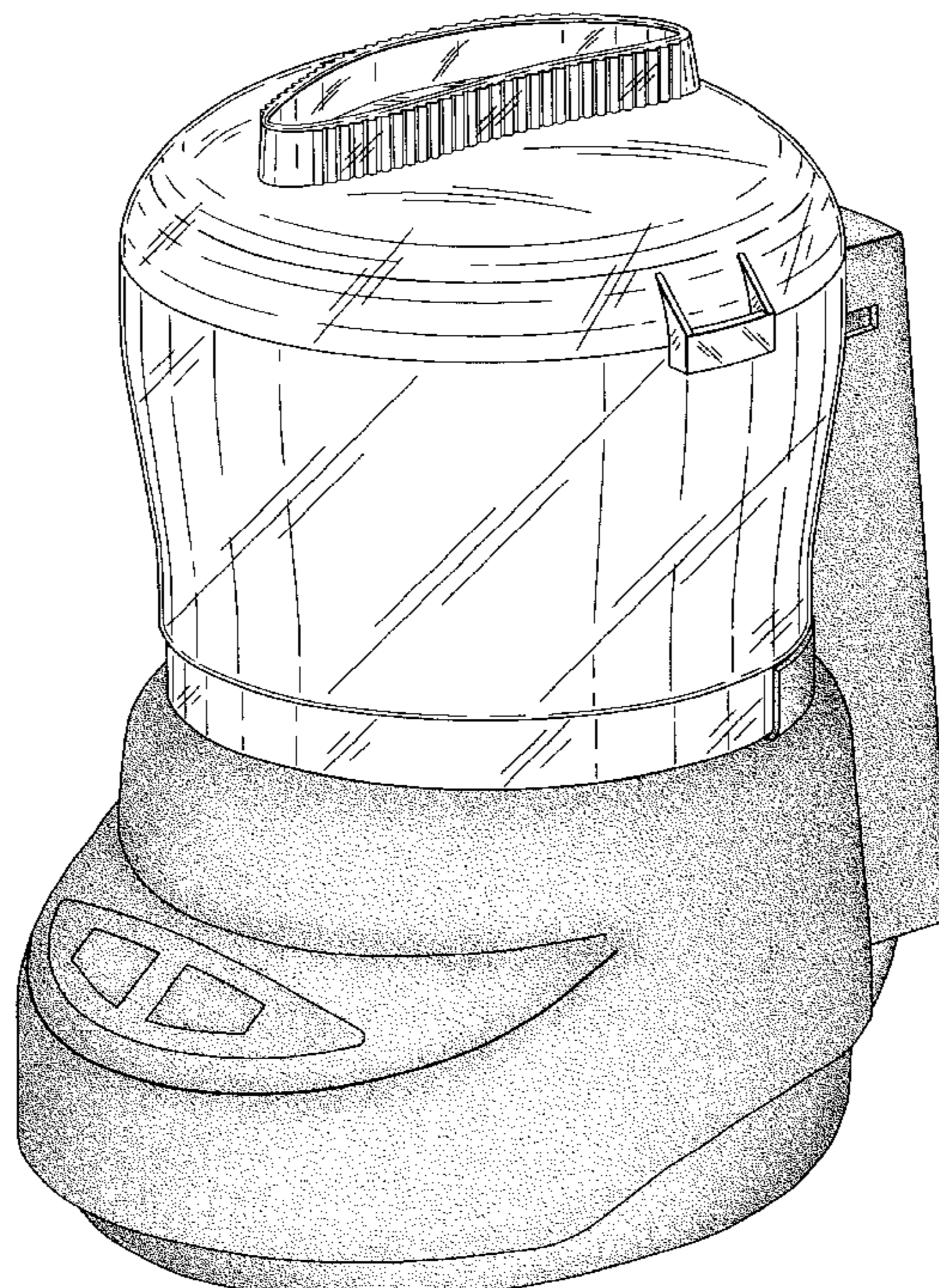
(57) **CLAIM**

The ornamental design for the food processor, as shown and described.

DESCRIPTION

FIG. 1 is a front plan view of a food processor showing my design;
FIG. 2 is a rear plan view of the food processor of FIG. 1;
FIG. 3 is a right side view of the food processor of FIG. 1;
FIG. 4 is a left side view of the food processor of FIG. 1;
FIG. 5 is a top view of the food processor of FIG. 1; and
FIG. 6 is a bottom view of the food processor of FIG. 1; and
FIG. 7 is a perspective view thereof.

1 Claim, 7 Drawing Sheets



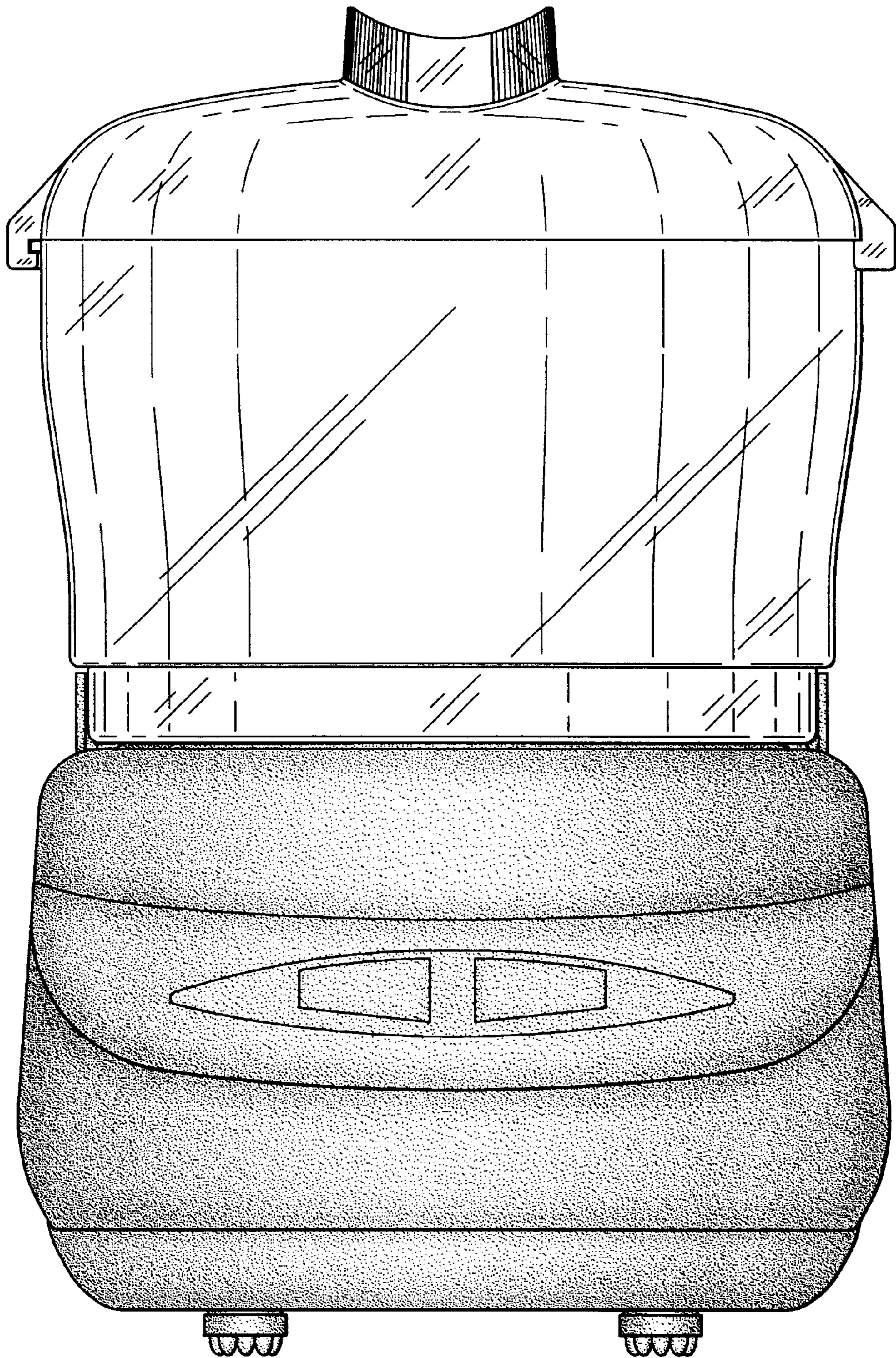


FIG. 1

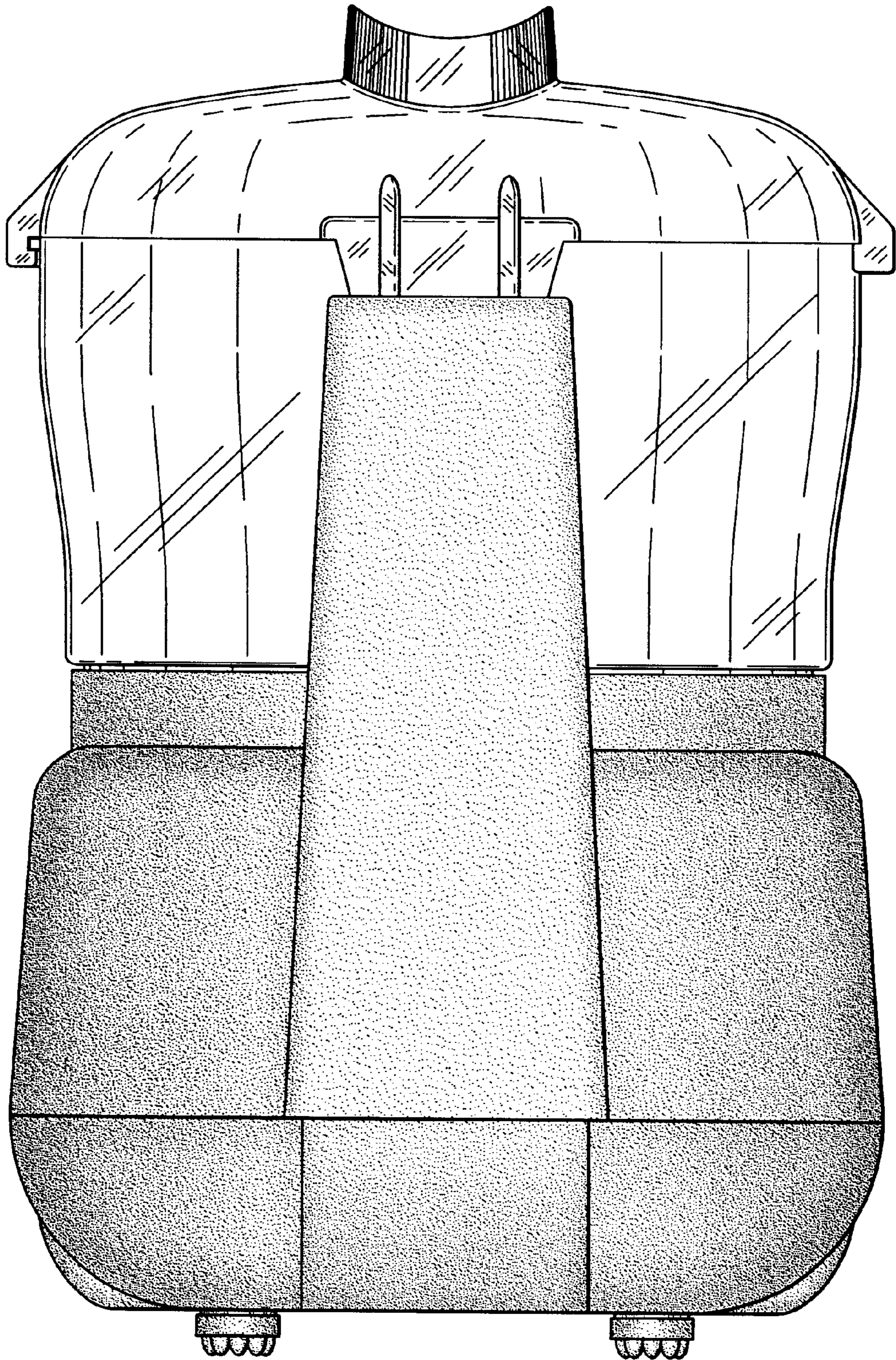


FIG. 2

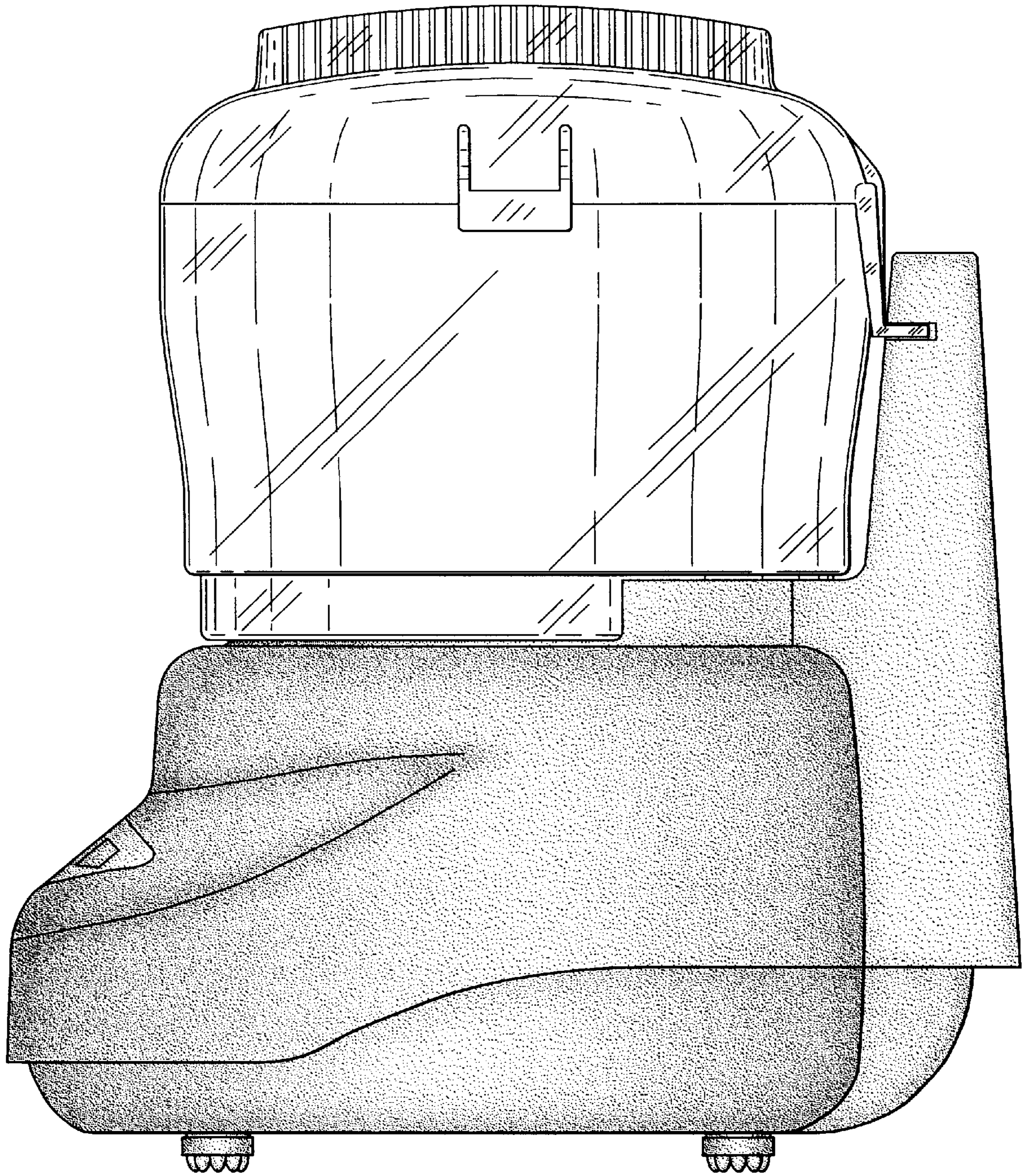


FIG. 3

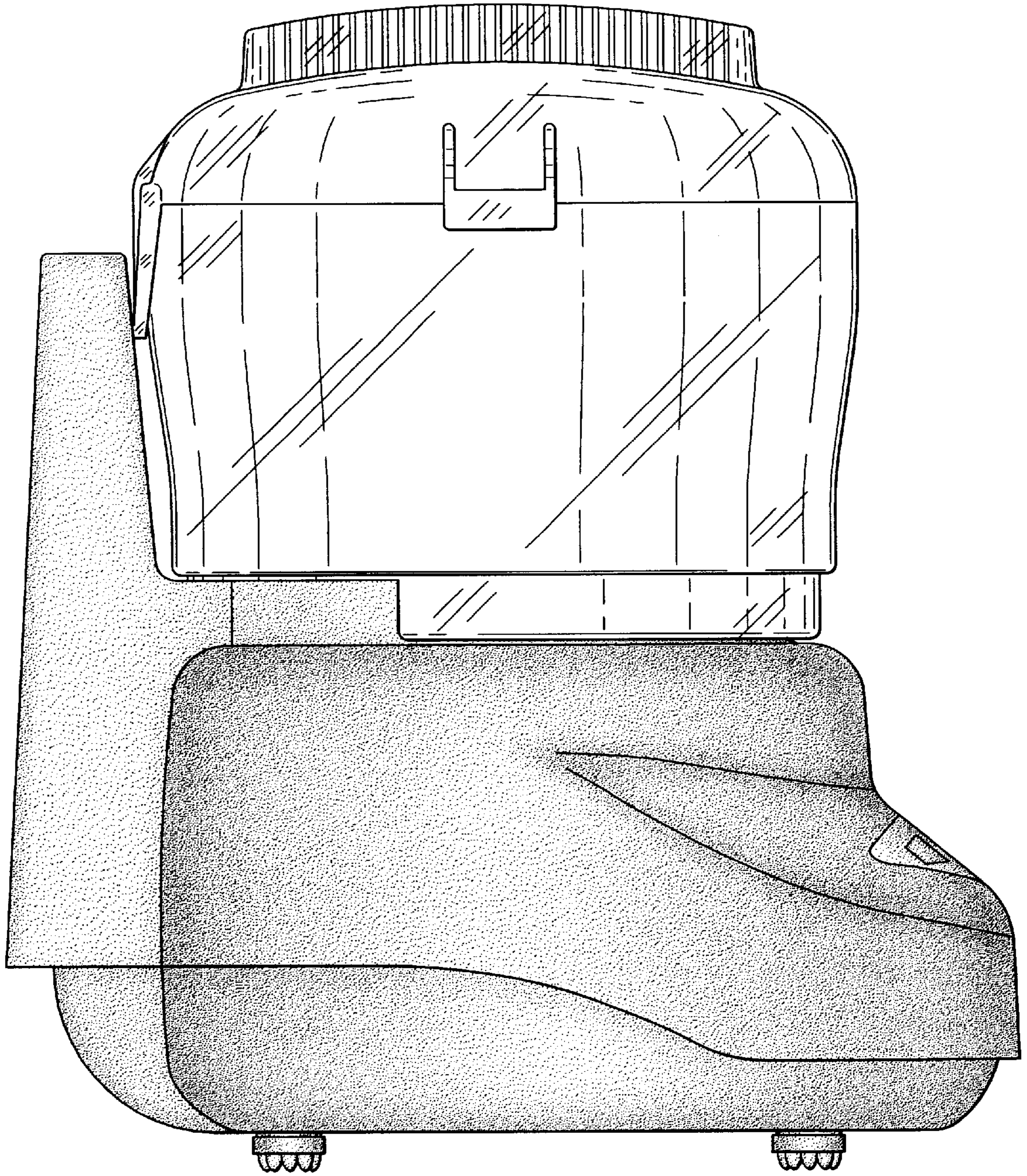


FIG. 4

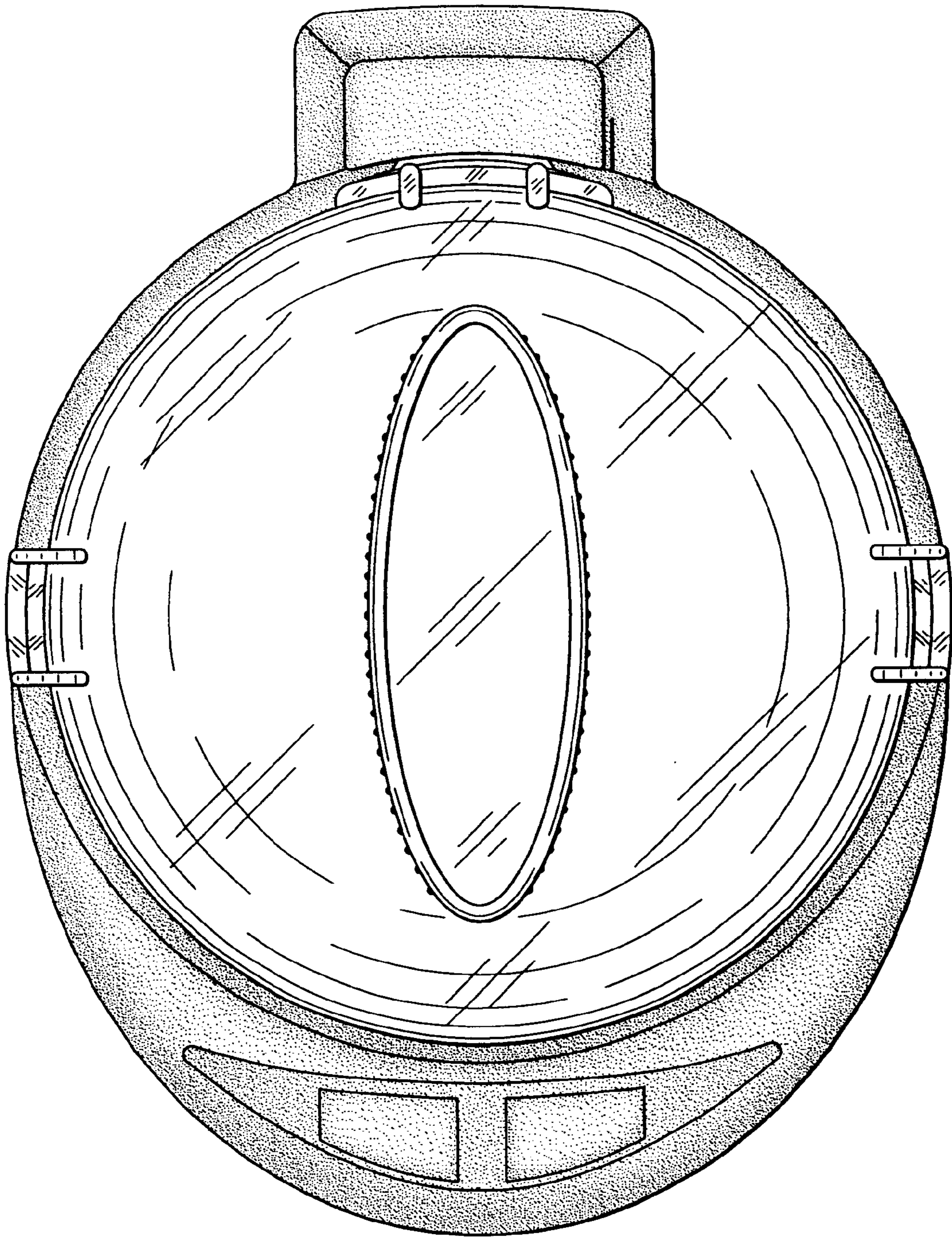


FIG. 5

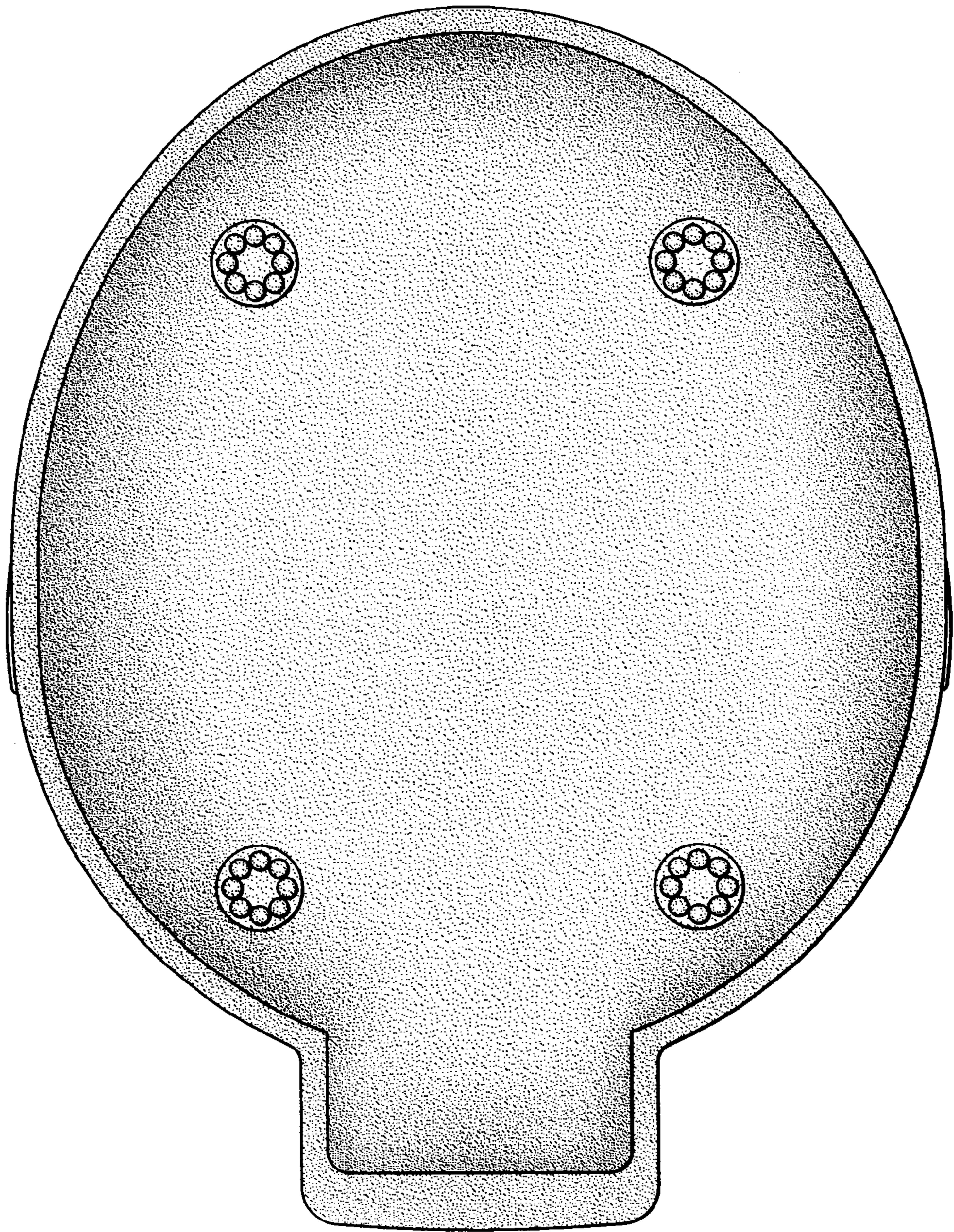


FIG. 6

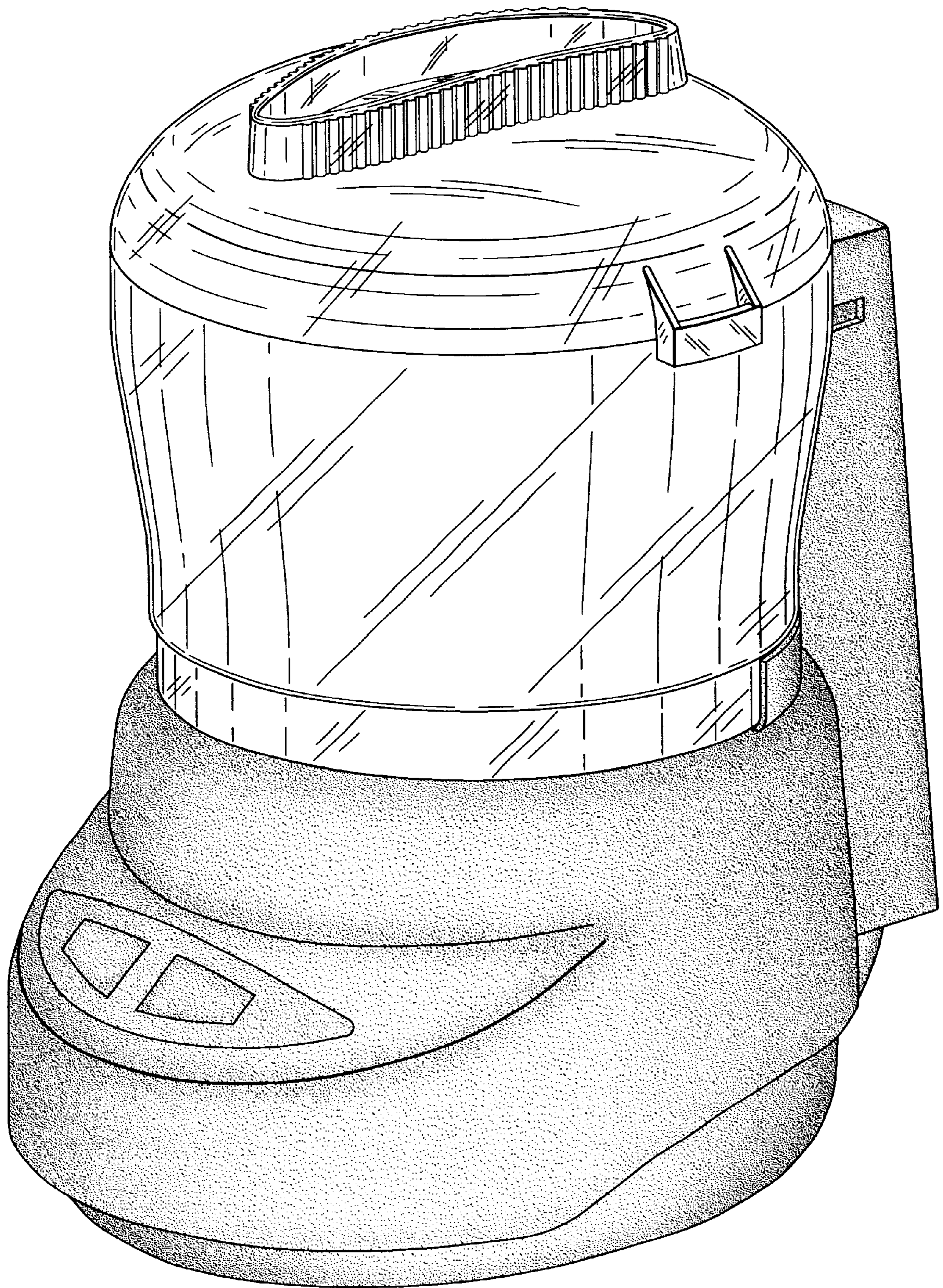


FIG. 7