



US00D445631S

(12) **United States Design Patent**
Elorza

(10) **Patent No.:** **US D445,631 S**

(45) **Date of Patent:** **** Jul. 31, 2001**

(54) **PRESSURE COOKER**

D. 370,827 * 6/1996 Combe D7/360
D. 401,468 * 11/1998 Knoll et al. D7/323

(75) Inventor: **Joseba Barrena Elorza, Mondragon**
(ES)

* cited by examiner

(73) Assignee: **Fagor, S. Coop., Mondragon (ES)**

Primary Examiner—Caron D. Veynar

(**) Term: **14 Years**

(74) *Attorney, Agent, or Firm*—The Kline Law Firm

(21) Appl. No.: **29/127,454**

(57) **CLAIM**

(22) Filed: **Aug. 3, 2000**

The ornamental design for a pressure cooker, as shown.

(30) **Foreign Application Priority Data**

DESCRIPTION

Feb. 18, 2000 (ES) 147609

FIG. 1 is a right side elevational view of the pressure cooker;
FIG. 2 is a left side elevational view of the pressure cooker;
FIG. 3 is a rear elevational view of the pressure cooker;
FIG. 4 is a front elevational view of the pressure cooker;
FIG. 5 is a top plan view of the pressure cooker;
FIG. 6 is a bottom plan view of the pressure cooker; and,
FIG. 7 is a perspective view of the pressure cooker.

(51) **LOC (7) Cl.** **07-02**

(52) **U.S. Cl.** **D7/358**

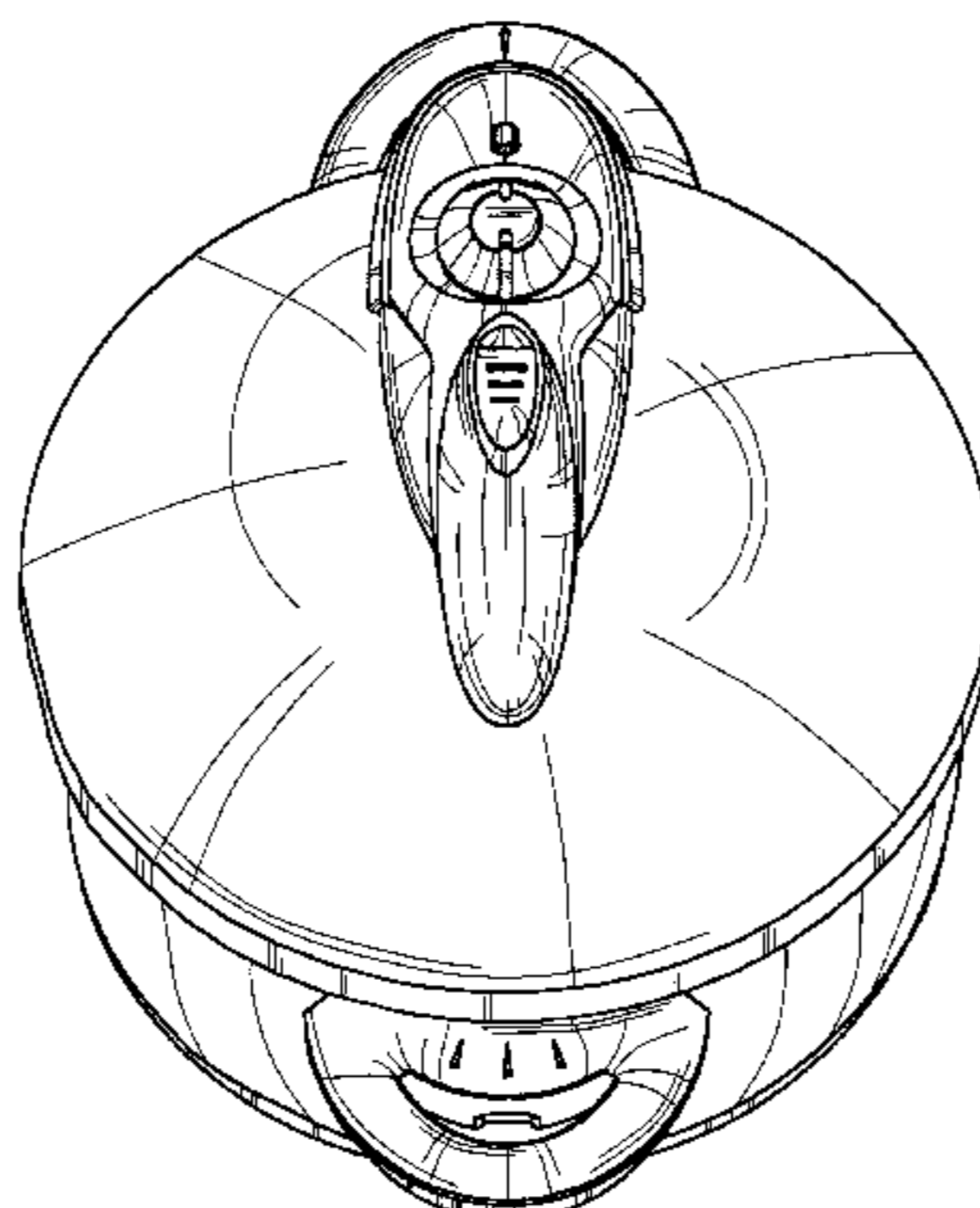
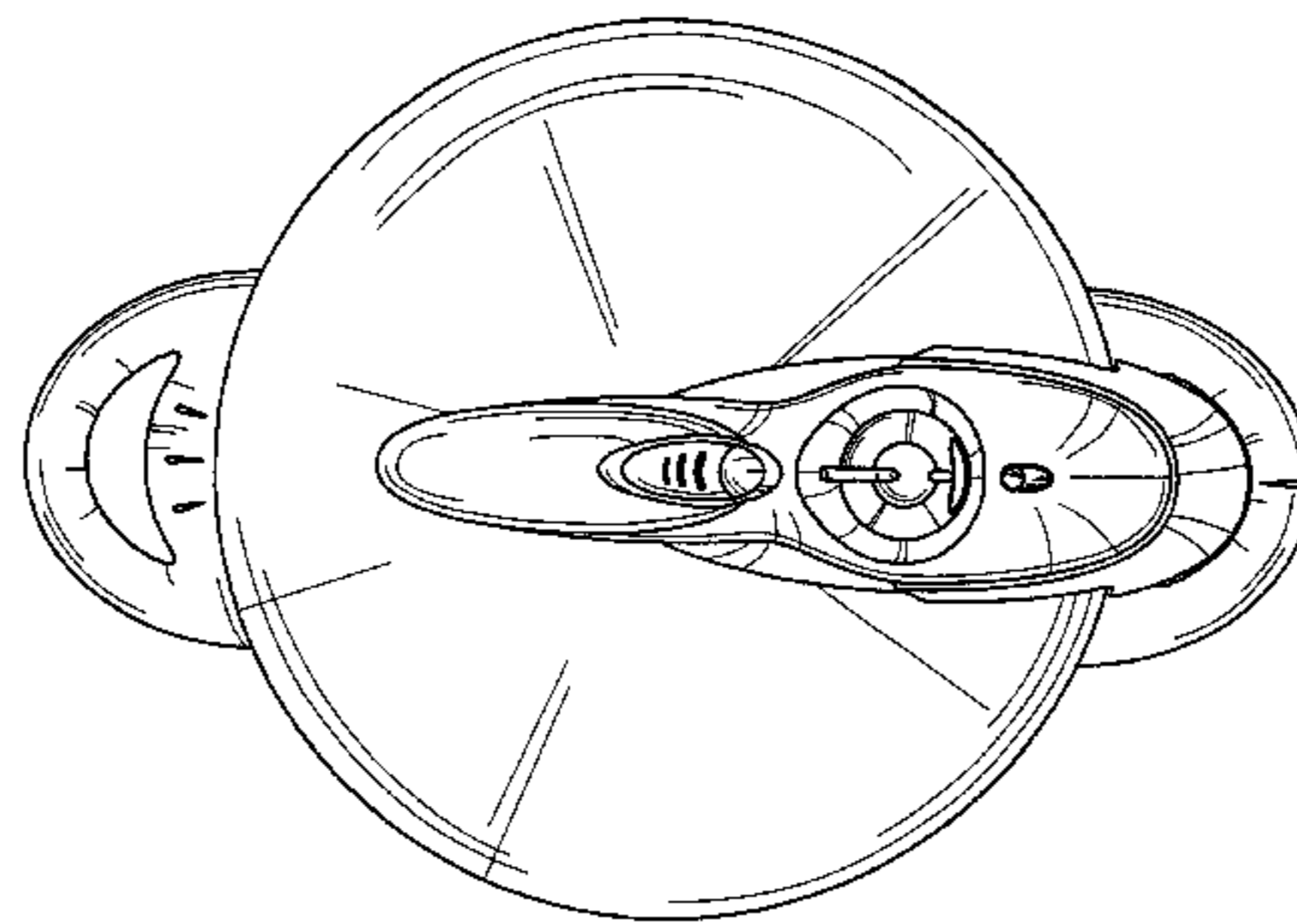
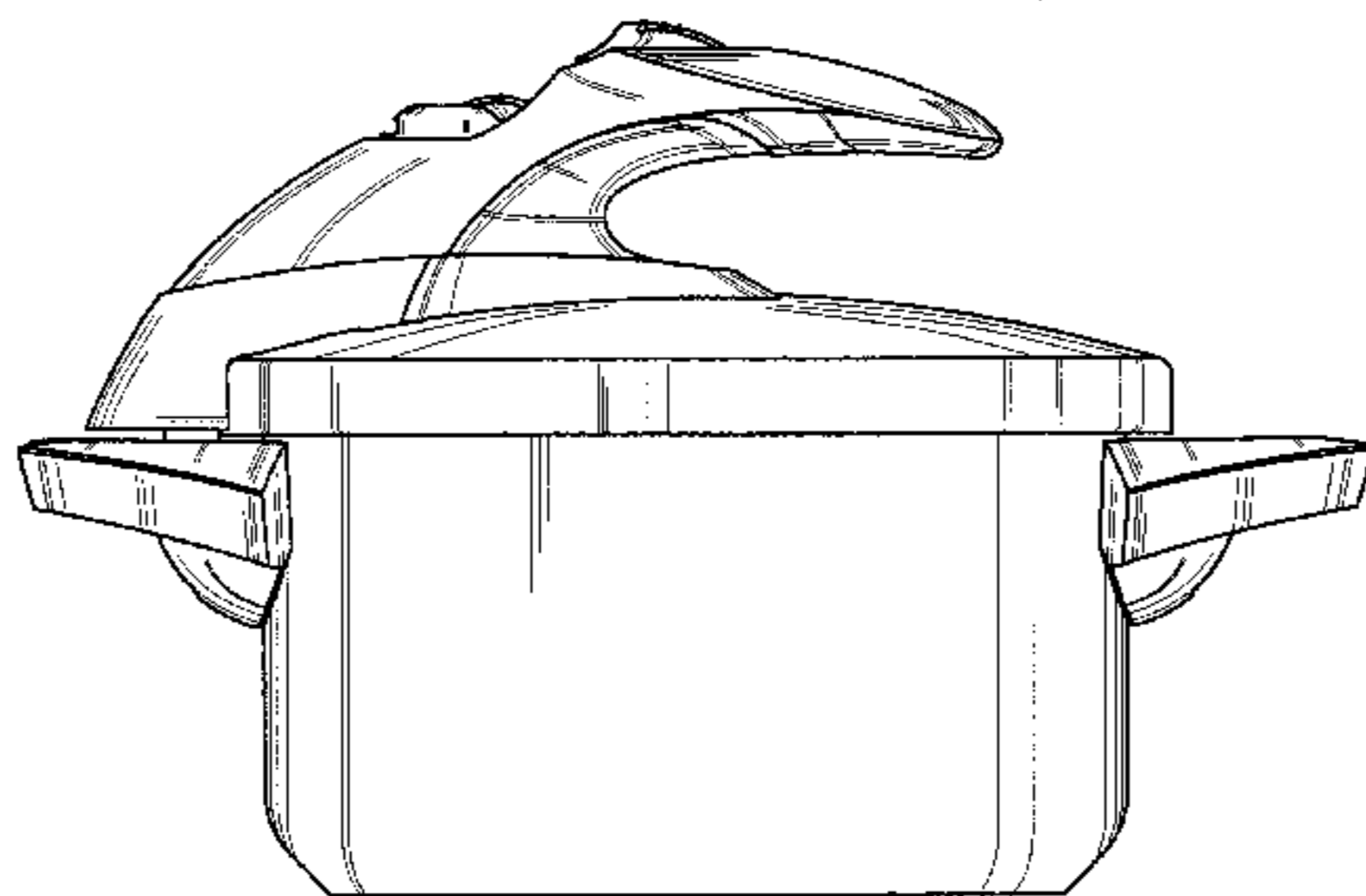
(58) **Field of Search** D7/323, 354-360;
99/324, 325, 339; 219/620-622

(56) **References Cited**

U.S. PATENT DOCUMENTS

D. 192,257 * 2/1962 Ebstein D7/393

1 Claim, 7 Drawing Sheets



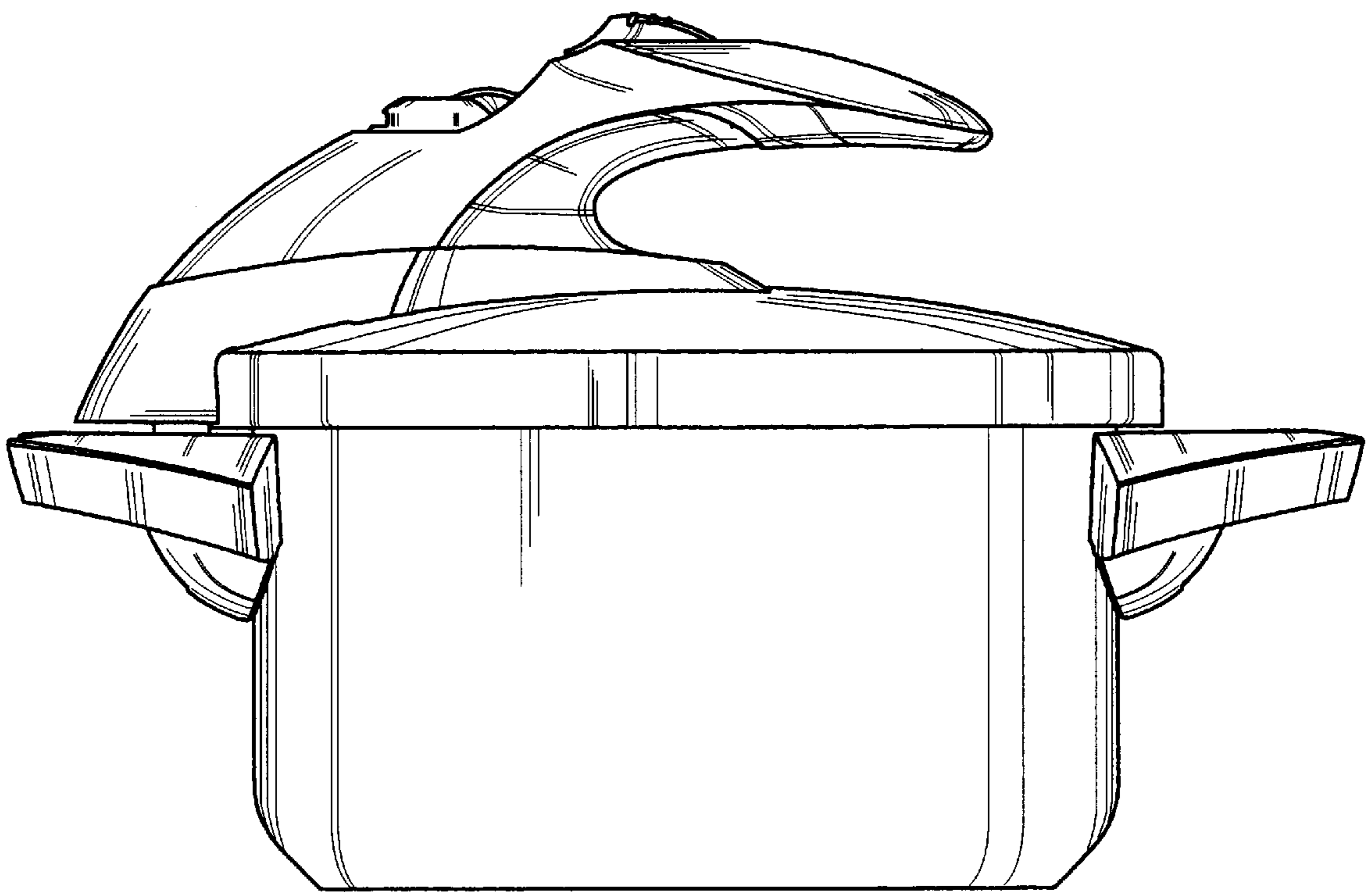


Fig. 1

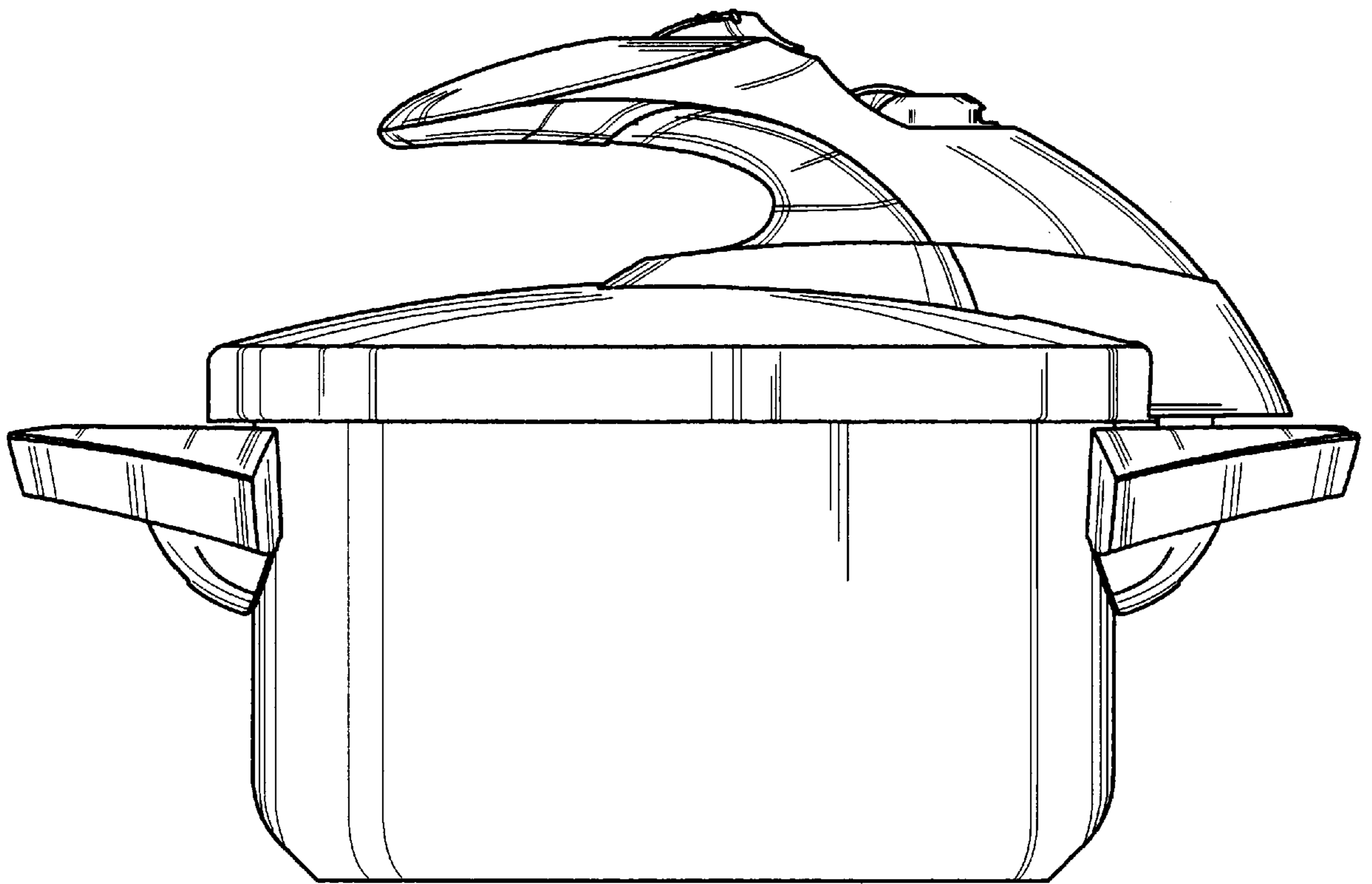


Fig. 2

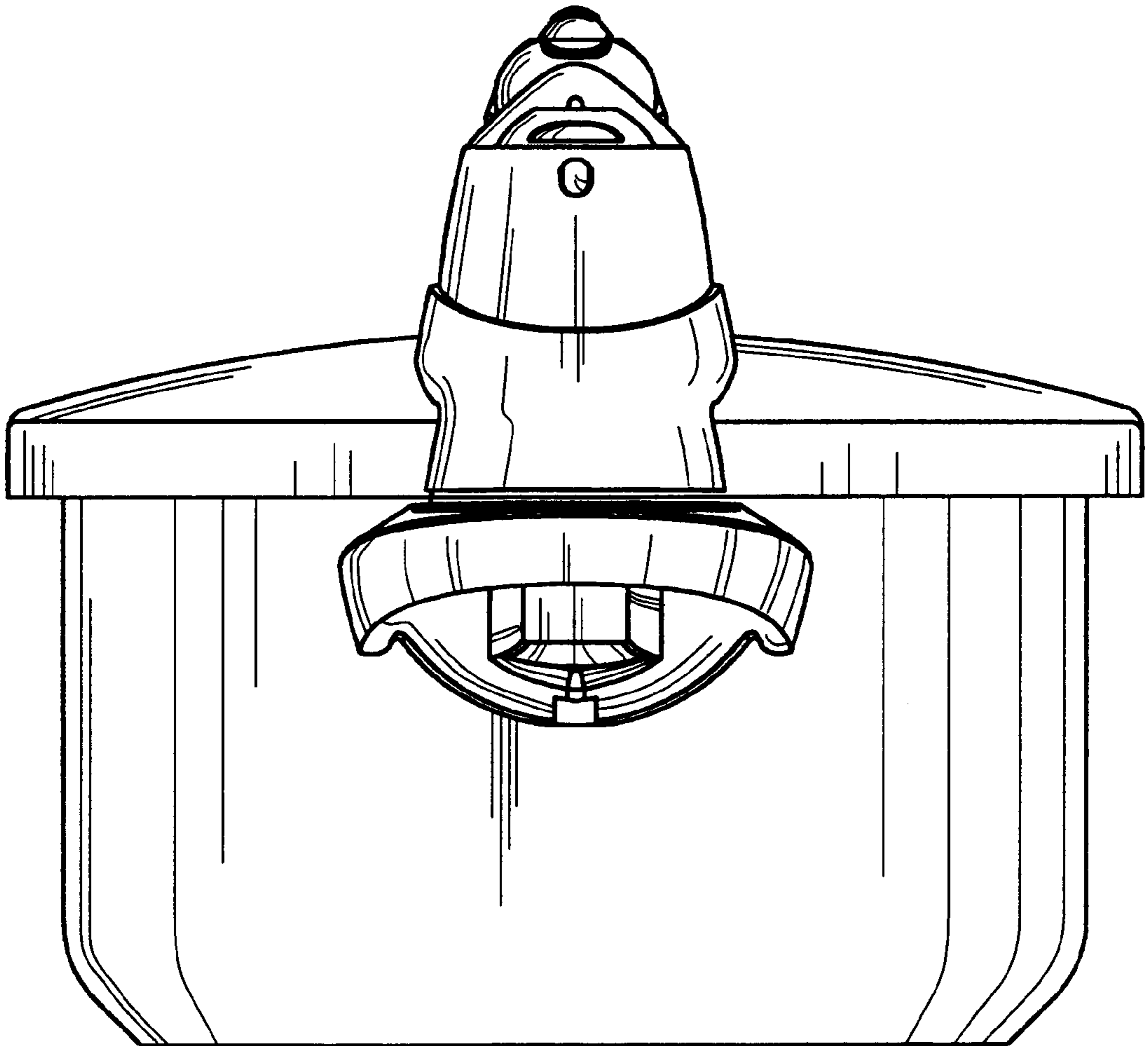


Fig. 3

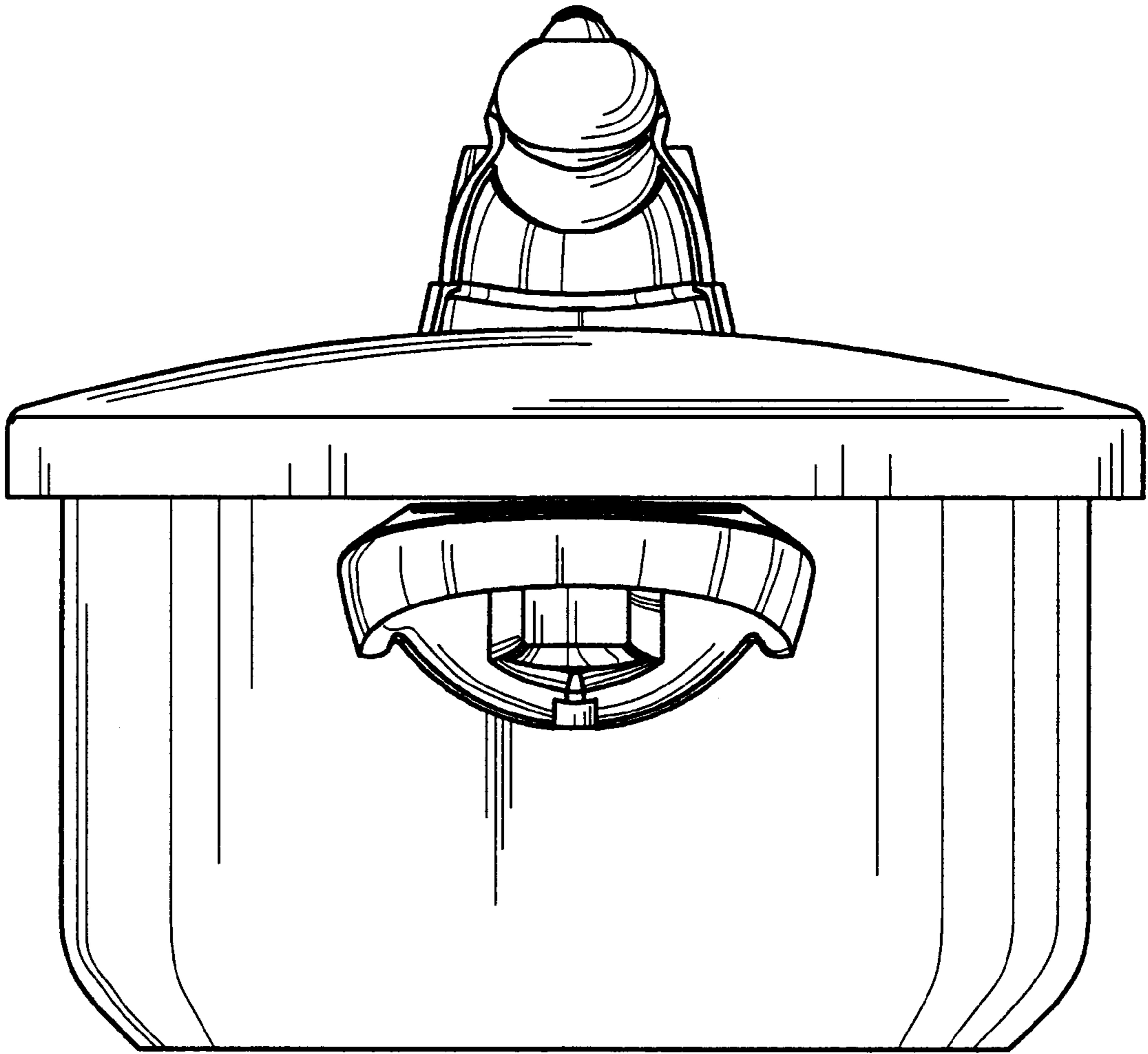


Fig. 4

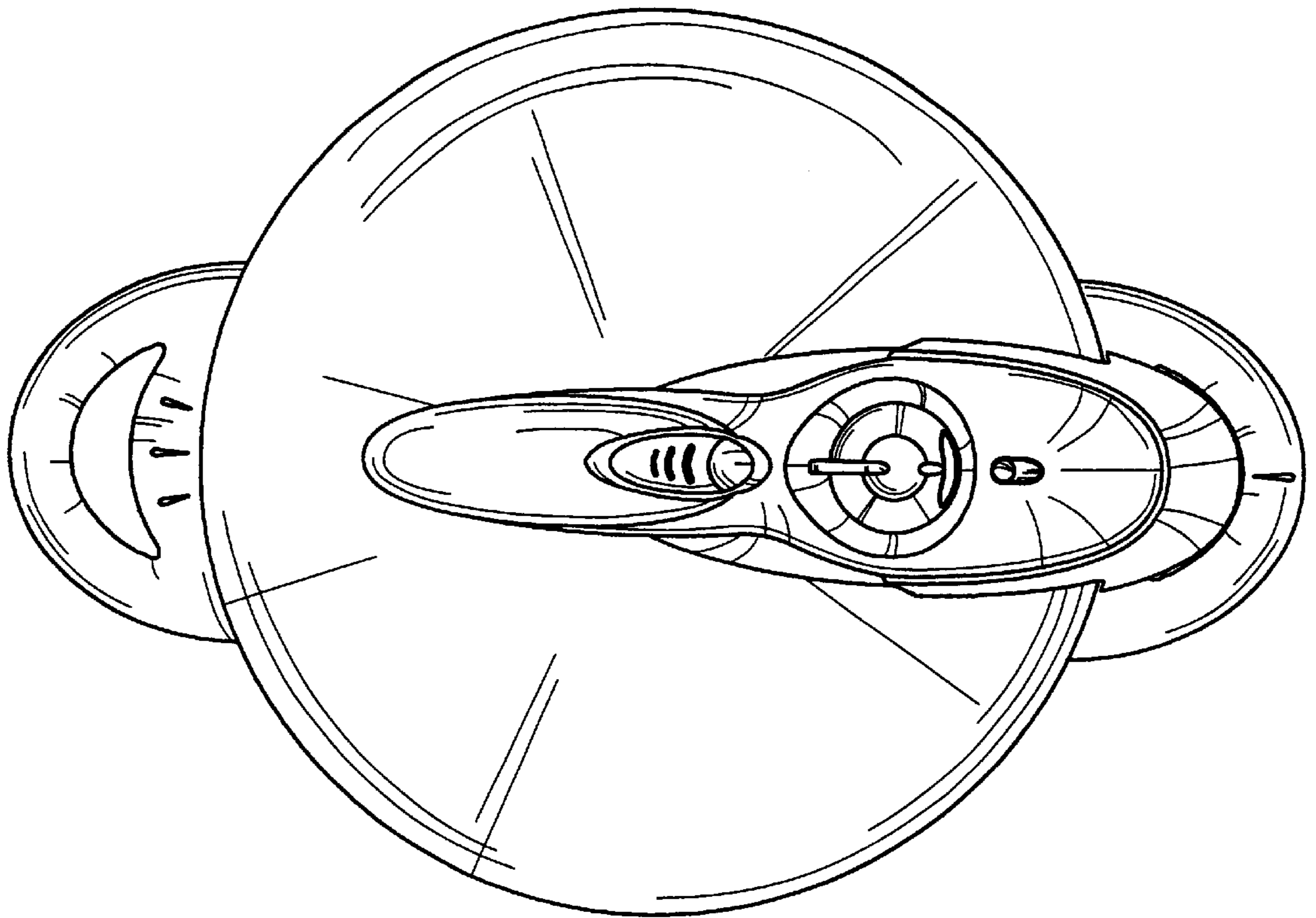


Fig. 5

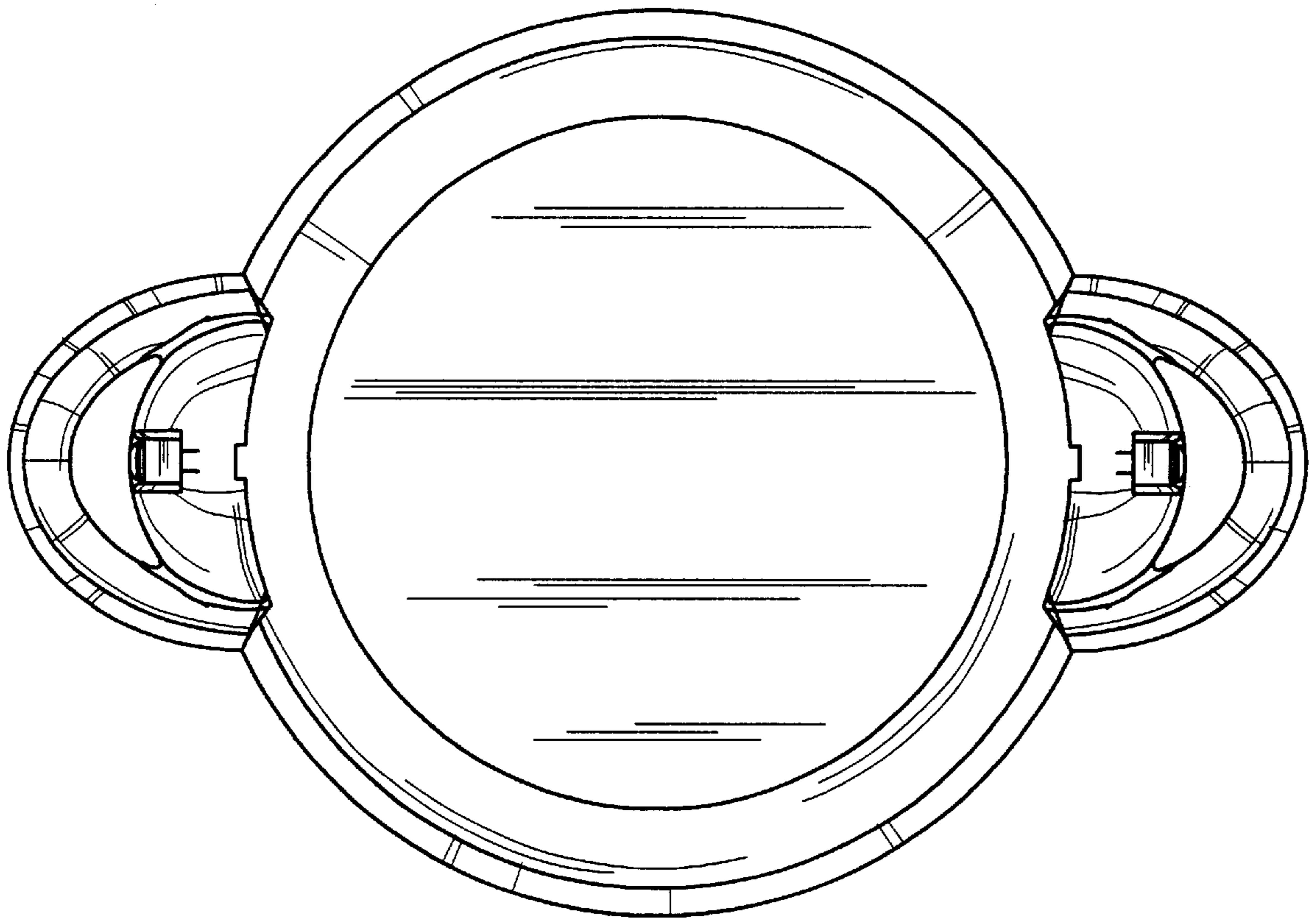


Fig. 6

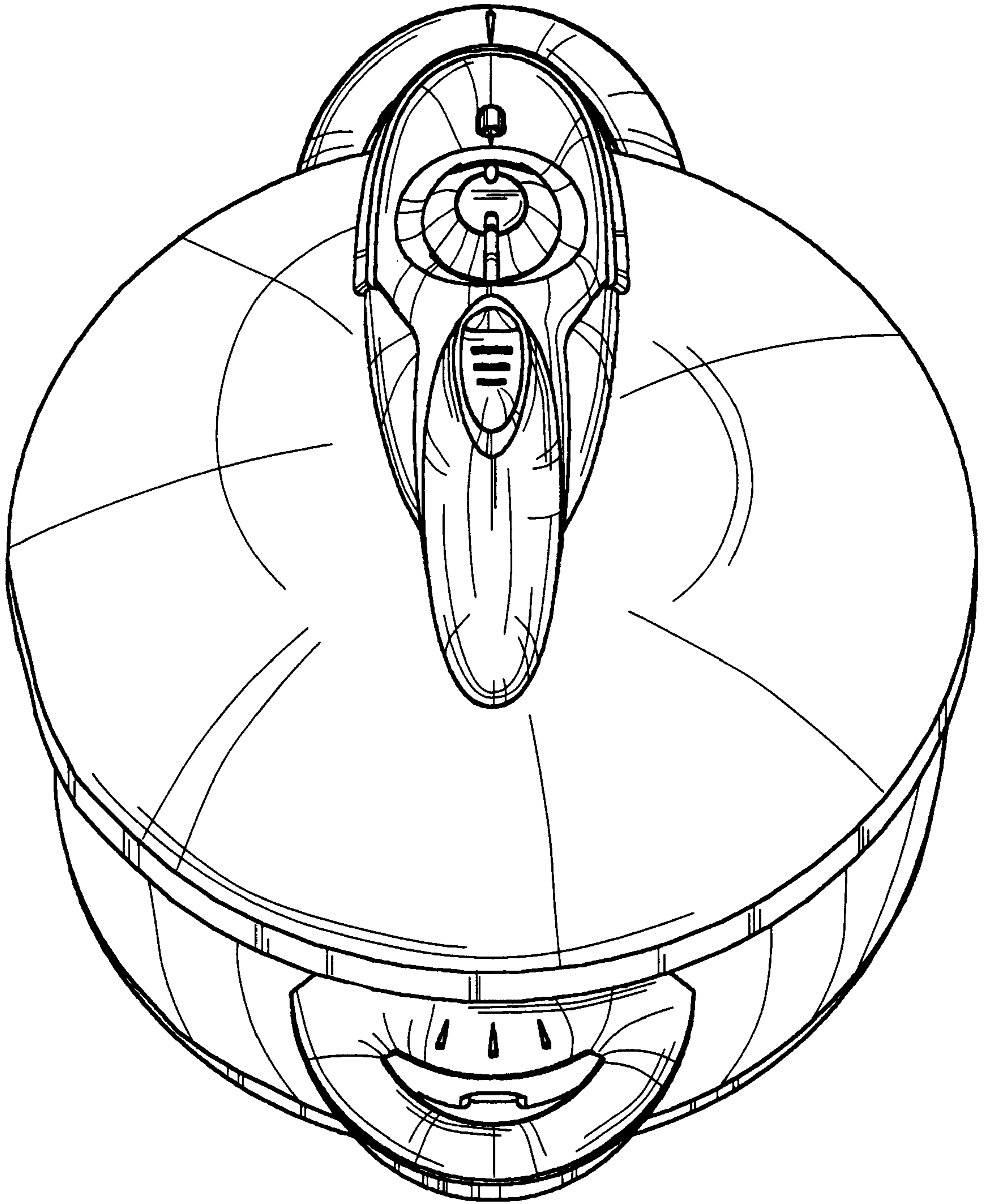


Fig. 7