



US00D445630S

(12) **United States Design Patent**
Hsu

(10) **Patent No.:** **US D445,630 S**

(45) **Date of Patent:** **** Jul. 31, 2001**

(54) **SANDWICH TOASTER**

(75) **Inventor:** **Tony Hsu, Yung Kang (TW)**

(73) **Assignee:** **Lundar Electric Industrial Co., Ltd.,
Tainan Hsien (TW)**

(**) **Term:** **14 Years**

(21) **Appl. No.:** **29/135,205**

(22) **Filed:** **Jan. 9, 2001**

(51) **LOC (7) Cl.** **07-02**

(52) **U.S. Cl.** **D7/352**

(58) **Field of Search** D7/323, 350, 352,
D7/353, 337, 362; 99/372, 374, 376, 377,
379; 219/524, 525

(56) **References Cited**

U.S. PATENT DOCUMENTS

- D. 367,993 * 3/1996 McClean D7/352
- D. 389,372 * 1/1998 Saltet D7/352
- D. 405,312 * 2/1999 Hoare D7/352

- D. 407,598 * 4/1999 Deni et al. D7/352
- D. 424,365 * 5/2000 To D7/352
- D. 430,453 * 9/2000 Lin D7/352
- D. 433,271 * 11/2000 Lin D7/352

* cited by examiner

Primary Examiner—Caron D. Veynar

(74) *Attorney, Agent, or Firm*—Rosenberg, Klein & Lee

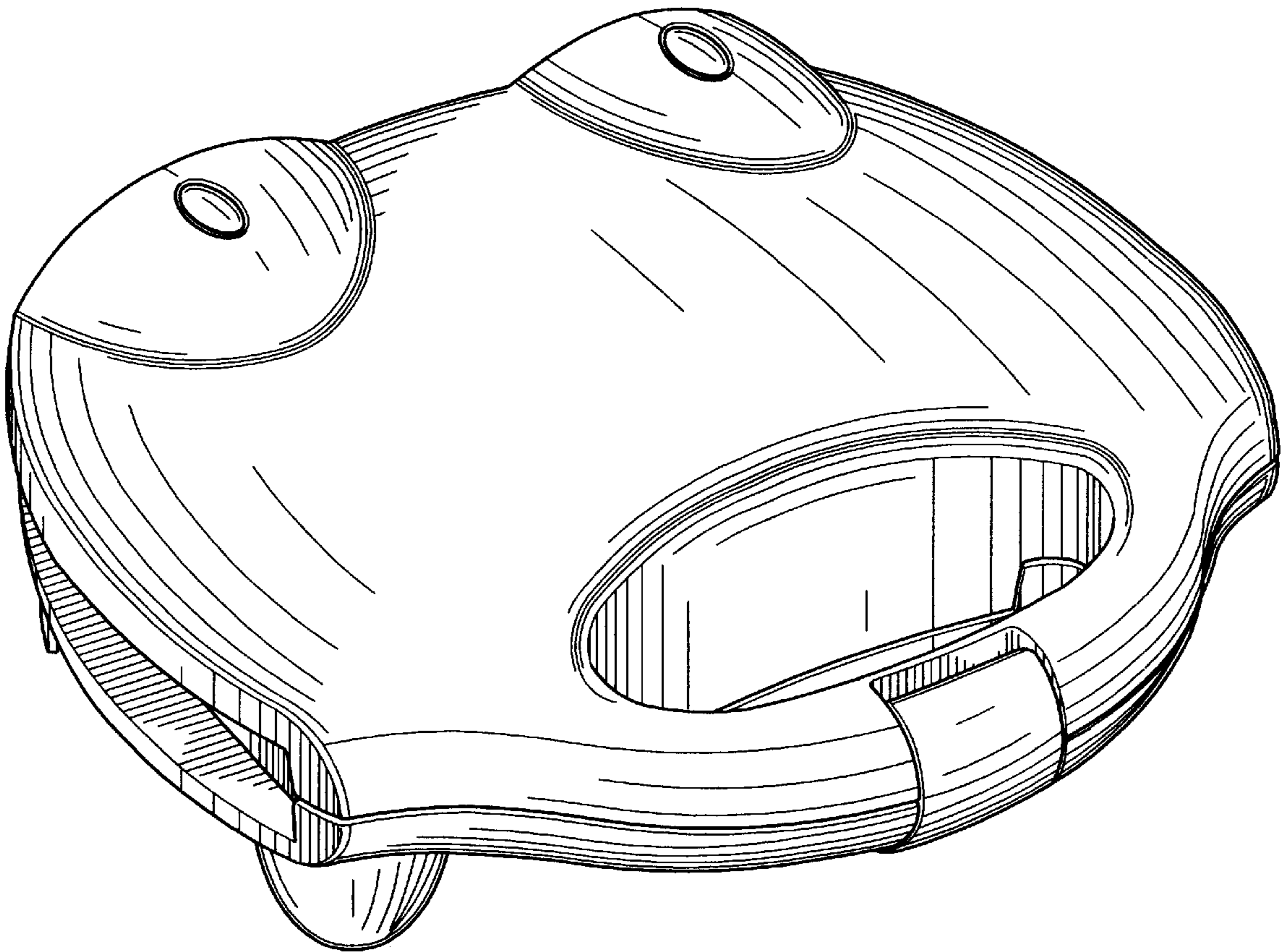
(57) **CLAIM**

The ornamental design for a sandwich toaster, as shown and described.

DESCRIPTION

FIG. 1 is a perspective view of a sandwich toaster showing my present design;
 FIG. 2 is a front view thereof;
 FIG. 3 is a rear view thereof;
 FIG. 4 is a left view thereof;
 FIG. 5 is a right view thereof;
 FIG. 6 is a top plan view thereof; and,
 FIG. 7 is a bottom plan view.

1 Claim, 7 Drawing Sheets



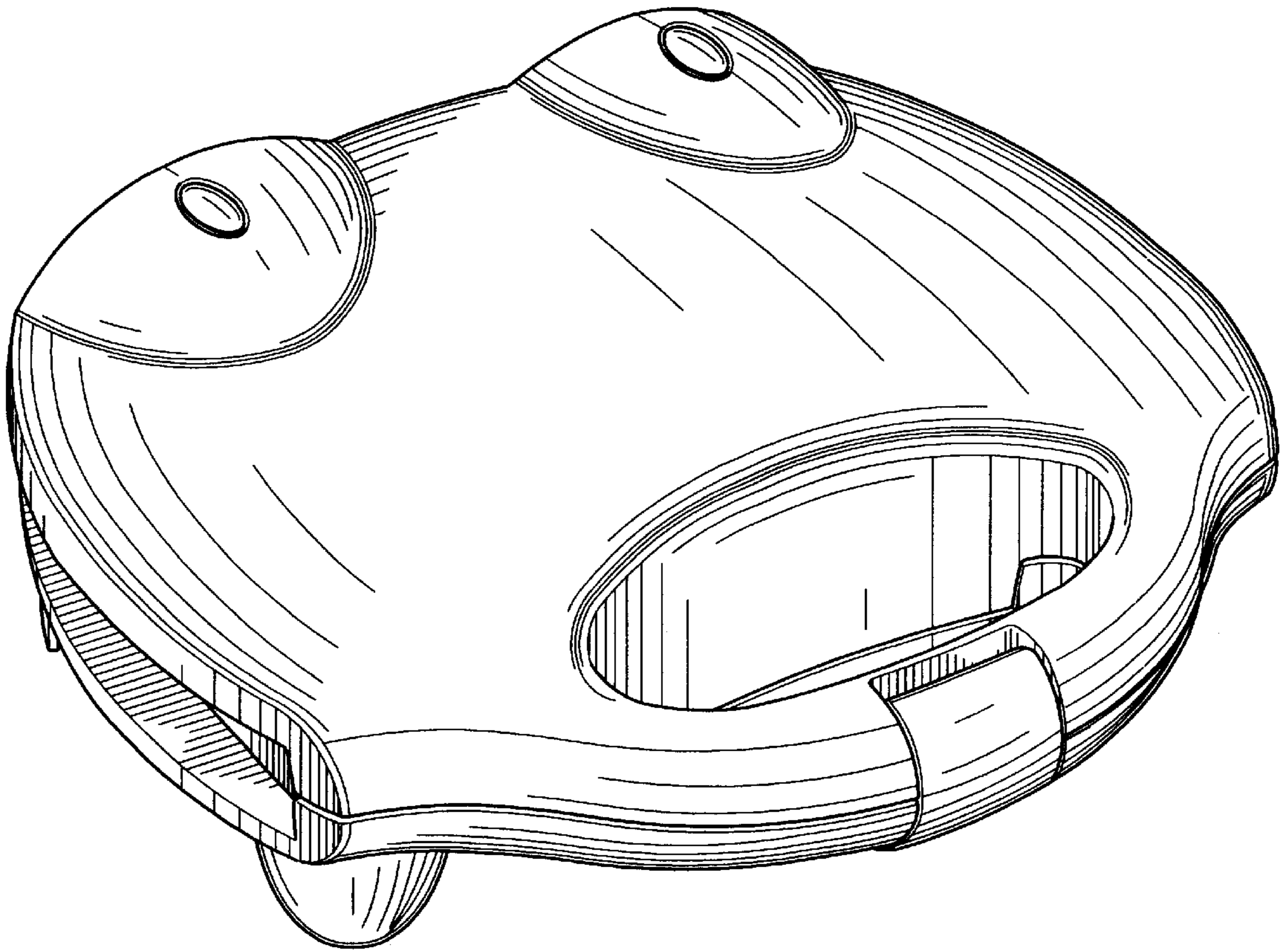


FIG. 1

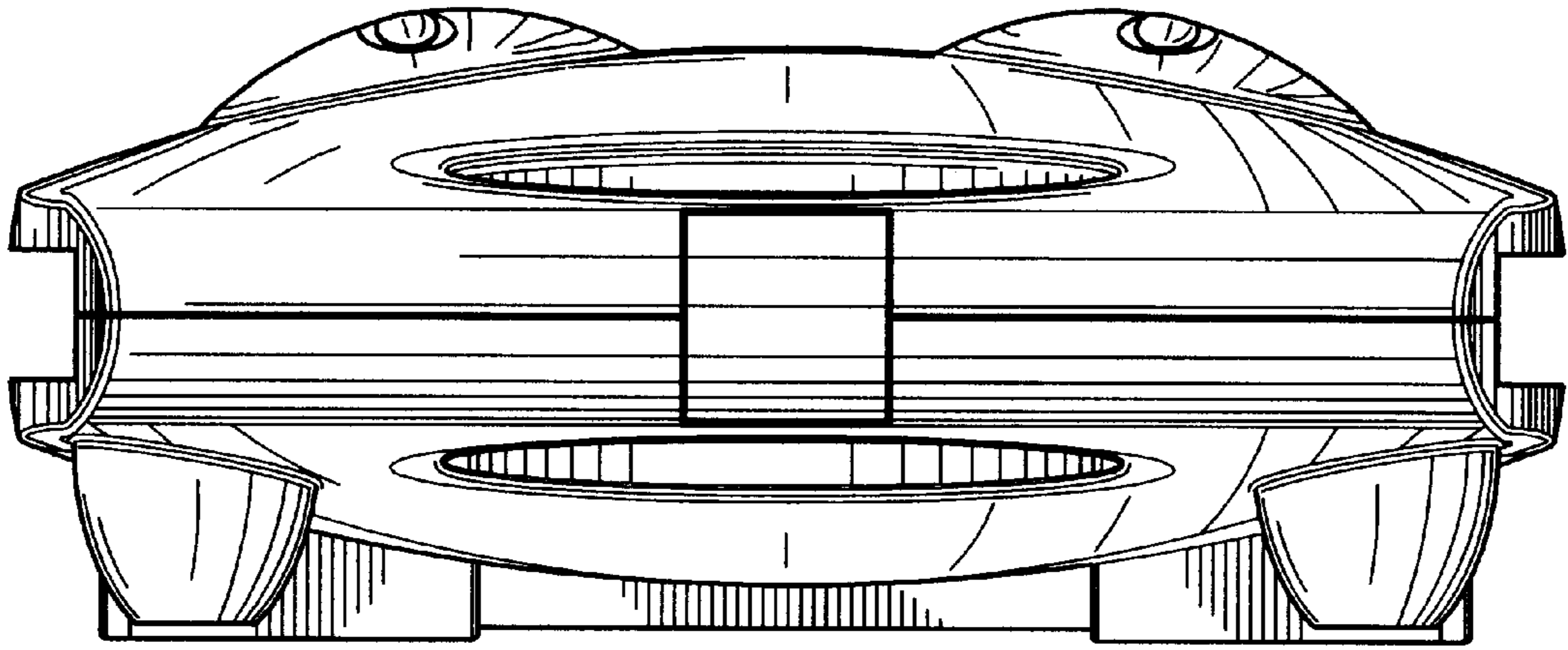


FIG. 2

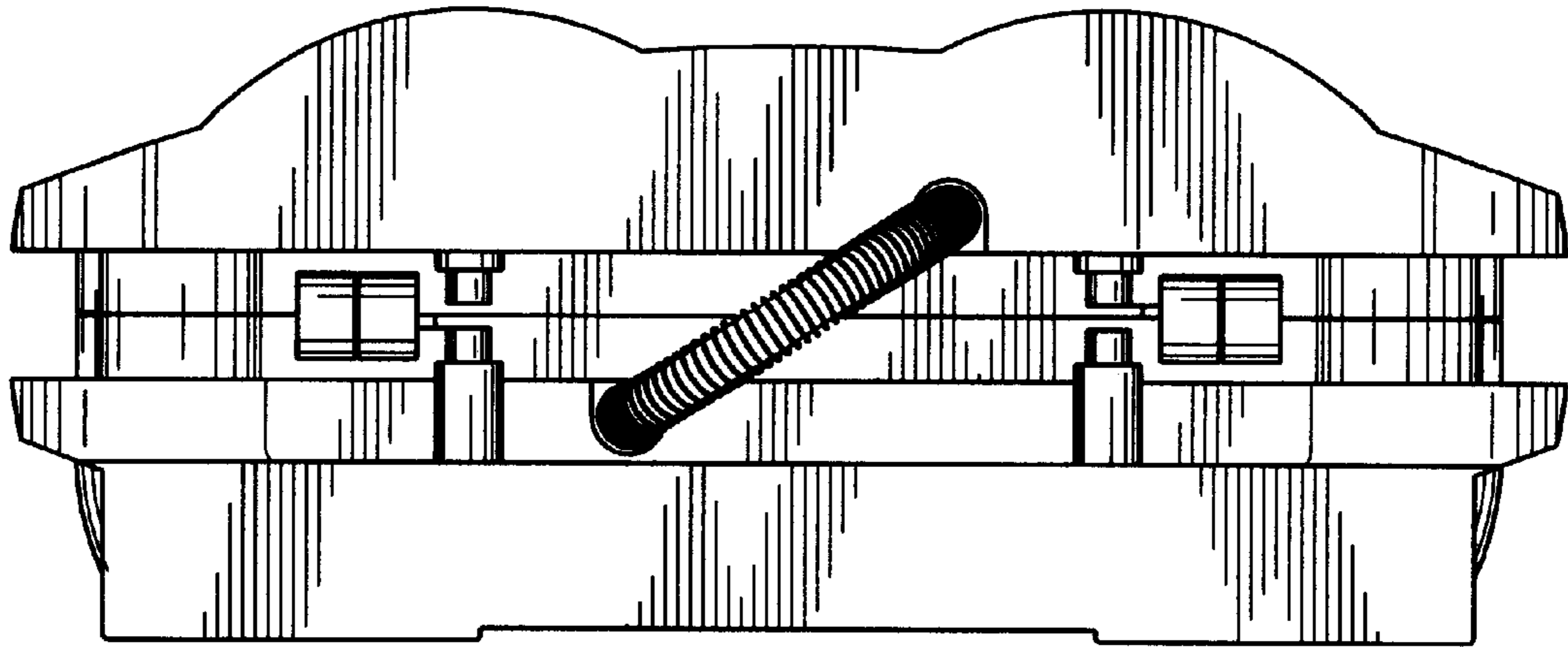


FIG. 3

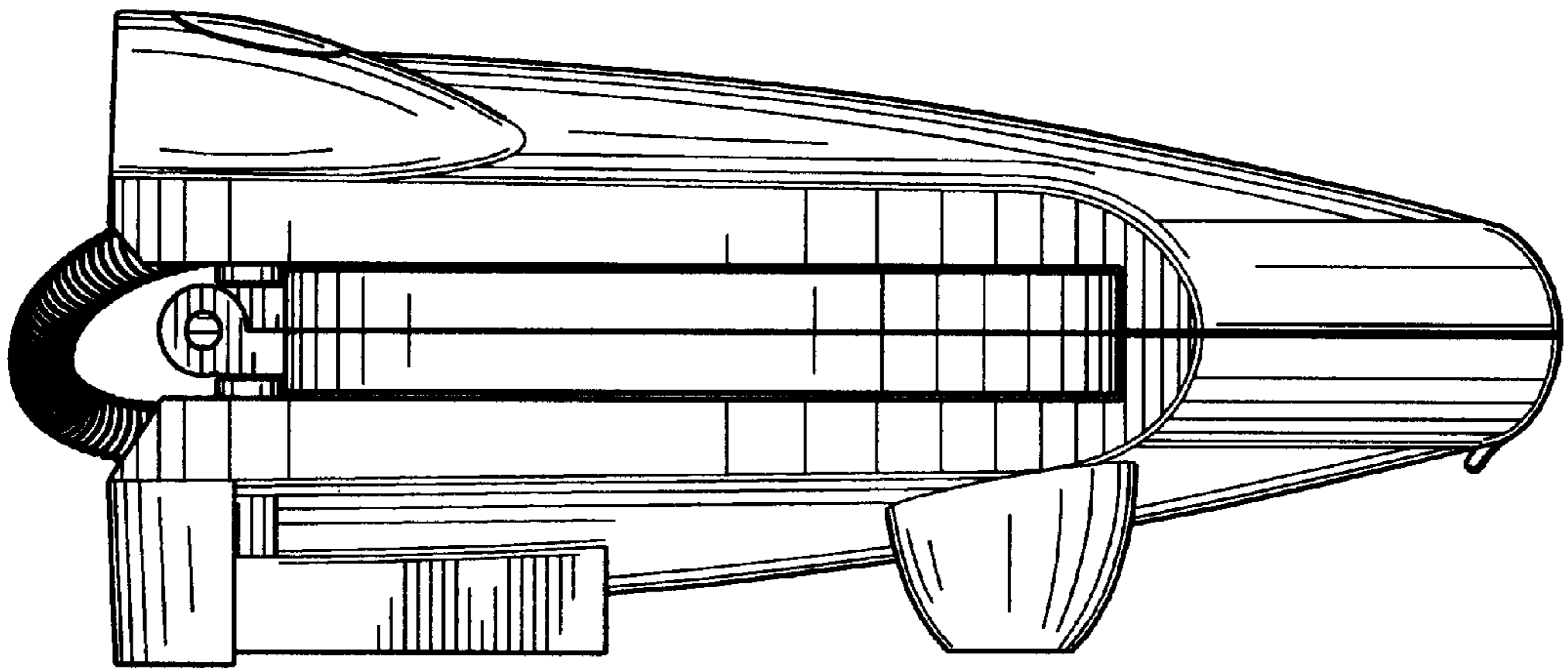


FIG. 4

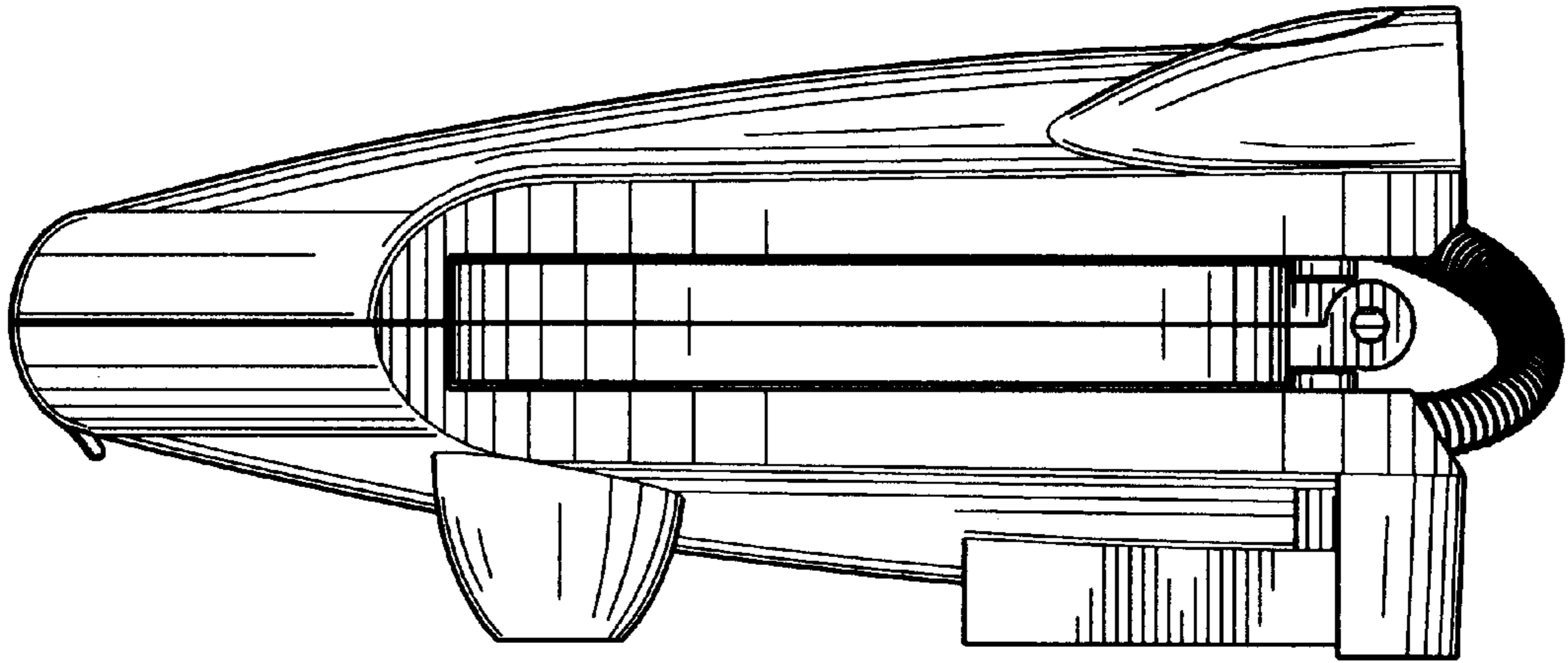


FIG. 5

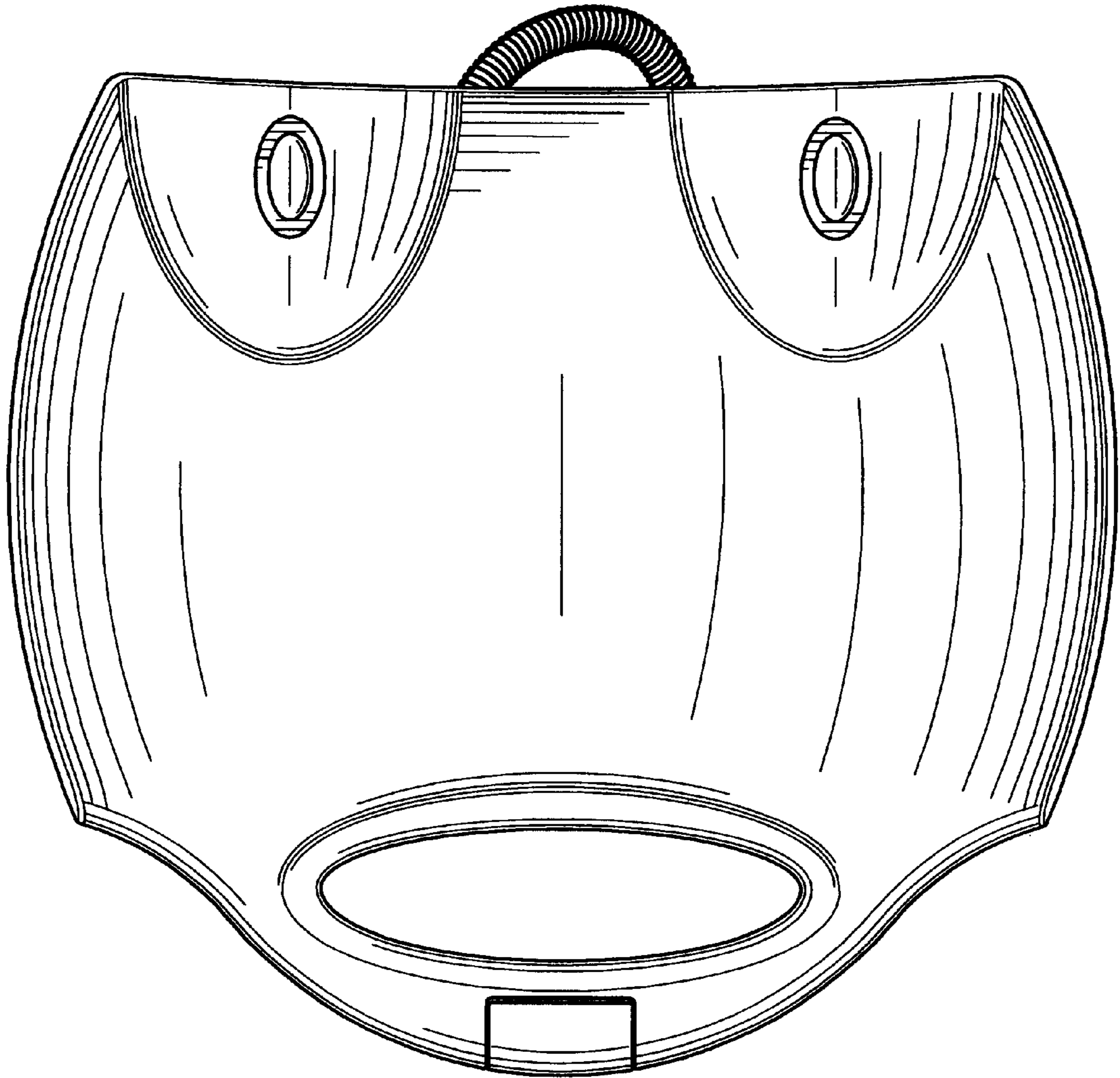


FIG. 6

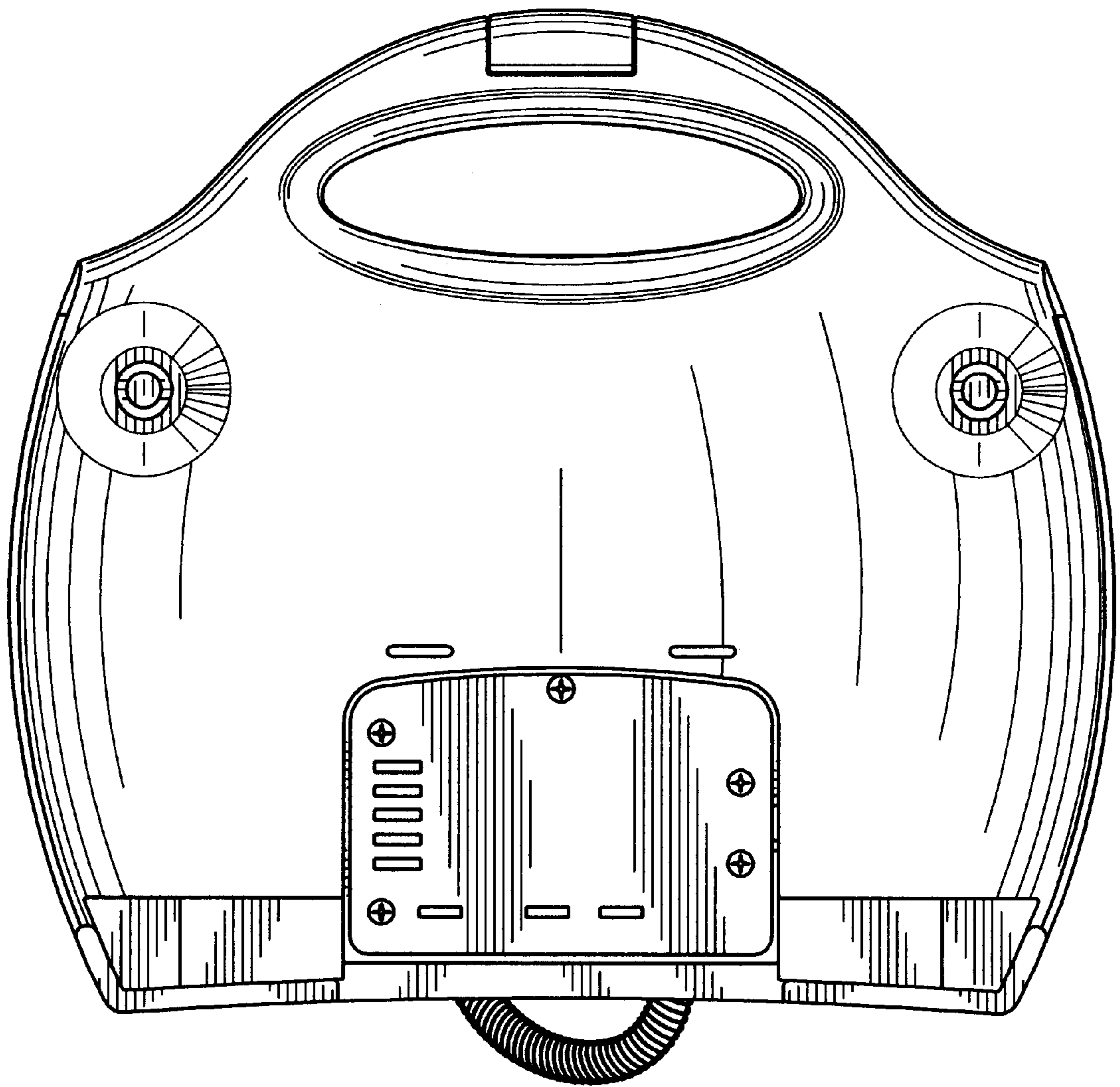


FIG. 7