



US00D445625S

(12) **United States Design Patent**  
**Smith**

(10) **Patent No.:** **US D445,625 S**

(45) **Date of Patent:** **\*\* Jul. 31, 2001**

- (54) **SHEET TIE-DOWN DEVICE**
- (76) Inventor: **J. Preston Smith**, 600 Churchill Rd.,  
Knoxville, TN (US) 37909
- (\*\*) Term: **14 Years**
- (21) Appl. No.: **29/127,303**
- (22) Filed: **Aug. 1, 2000**
- (51) **LOC (7) Cl.** ..... **06-99**
- (52) **U.S. Cl.** ..... **D6/607**
- (58) **Field of Search** ..... D6/595, 596, 601,  
D6/602, 603, 606, 607, 608; 5/482, 483,  
484, 485, 489, 490, 491, 492, 495, 496,  
497, 498, 499, 500, 501, 502, 503.1, 504.1,  
669; 15/208, 209.1, 210.1; 24/343, 357,  
459, 72.5; D11/212; 2/303

5,168,605	12/1992	Bartlett	.....	24/519
5,182,827	2/1993	Carrier et al.	.....	5/498
5,557,830	9/1996	Davis	.....	24/459
5,655,271	8/1997	Maxwell-Trumble et al.	.....	24/459
5,692,272	12/1997	Woods	.....	24/459
5,940,942	8/1999	Fong	.....	24/459
6,006,406	12/1999	Chung	.....	24/713.6

\* cited by examiner

*Primary Examiner*—Doris V. Coles  
*Assistant Examiner*—Elizabeth A Albert  
(74) *Attorney, Agent, or Firm*—Pitts & Brittian, P.C.

(57) **CLAIM**

The ornamental design of a sheet tie-down device, as shown and described.

**DESCRIPTION**

FIG. 1 is a top view thereof with a sheet shown in phantom for purposes of environment only;  
FIG. 2 is a perspective view thereof;  
FIG. 3 is a top view thereof;  
FIG. 4 is a bottom view thereof;  
FIG. 5 is a an exploded front view thereof a back view being a mirror image thereof;  
FIG. 6 is a right side view thereof; and,  
FIG. 7 is a left side view thereof.  
The broken lines showing of indicia in FIGS. 1, 2 and 3 are for illustrative purposes only and form no part of the claimed design.

- (56) **References Cited**
- U.S. PATENT DOCUMENTS**
- D. 288,162 \* 2/1987 Hutton et al. .... D6/606
- 697,808 \* 4/1902 Chauvet ..... 24/459
- 3,066,321 12/1962 Kintner ..... 5/498
- 4,646,375 3/1987 Parker ..... 5/498
- 4,660,240 4/1987 Hutton et al. .... 5/451
- 4,829,617 5/1989 Dameron ..... 5/508
- 4,899,407 2/1990 McCue ..... 5/508
- 4,916,766 4/1990 Grandy ..... 5/496
- 5,046,222 9/1991 Byers et al. .... 24/343
- 5,092,010 3/1992 Wong ..... 5/496
- 5,099,531 3/1992 Shmier ..... 5/46

**1 Claim, 4 Drawing Sheets**

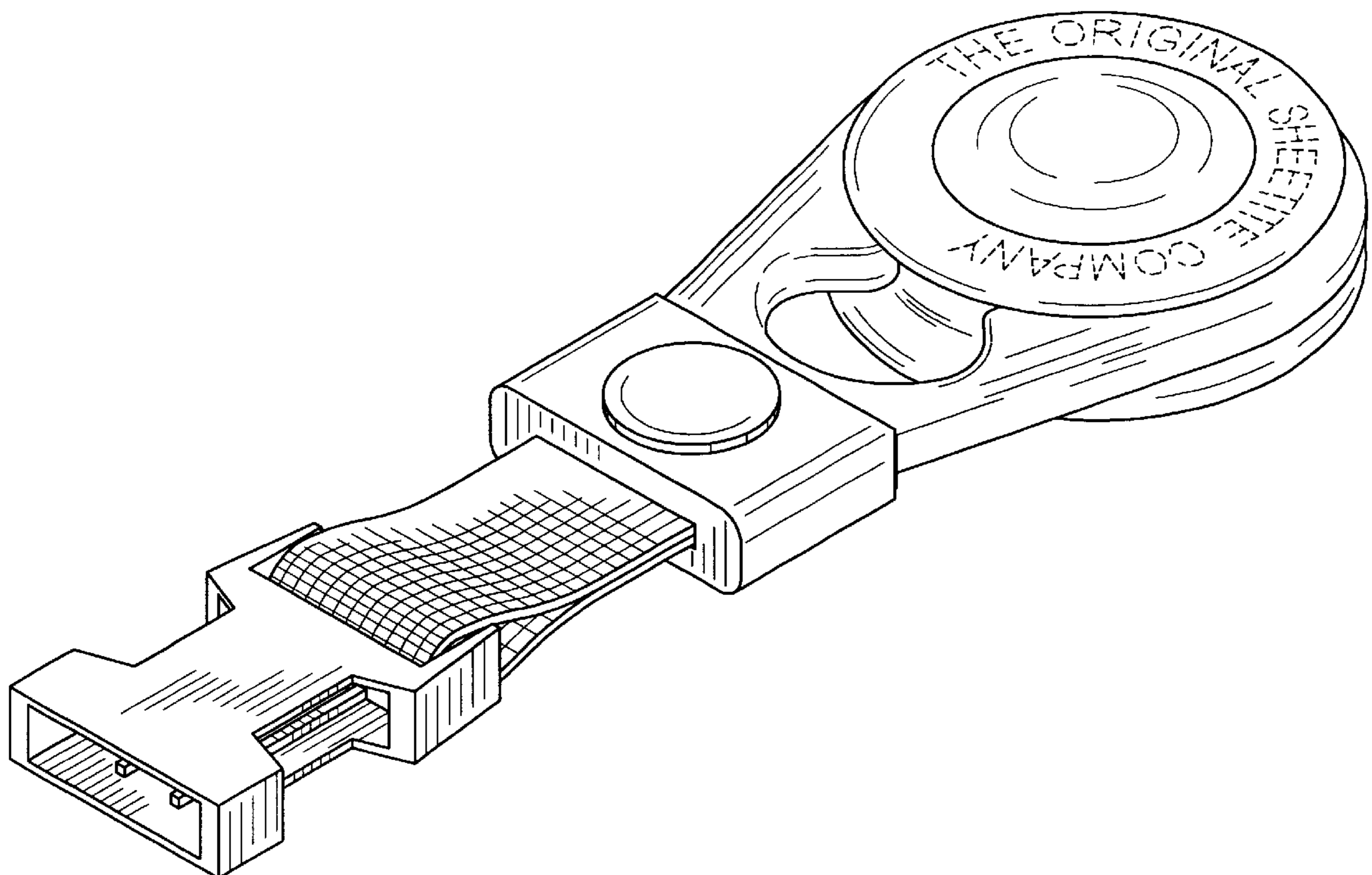
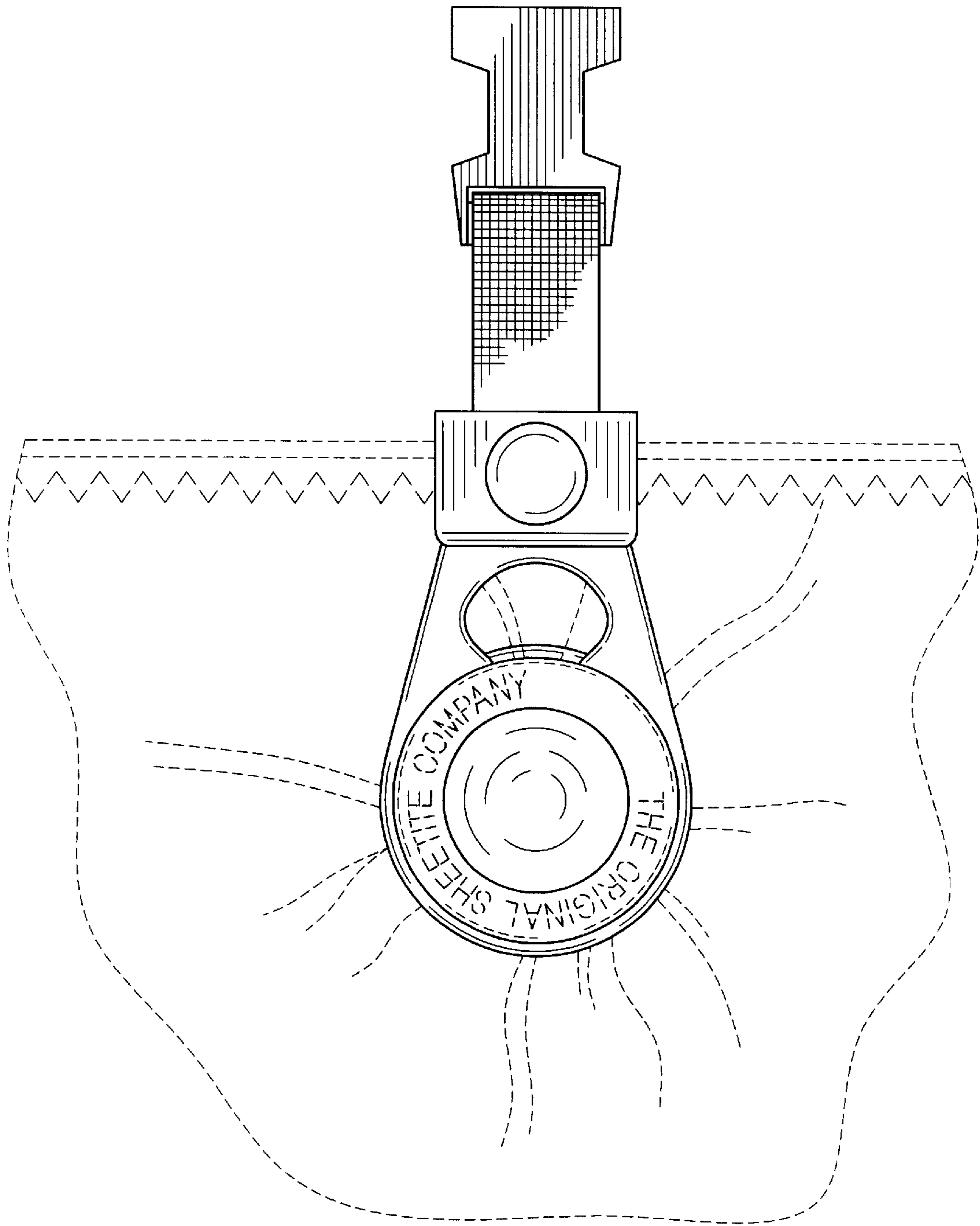


Fig. 1



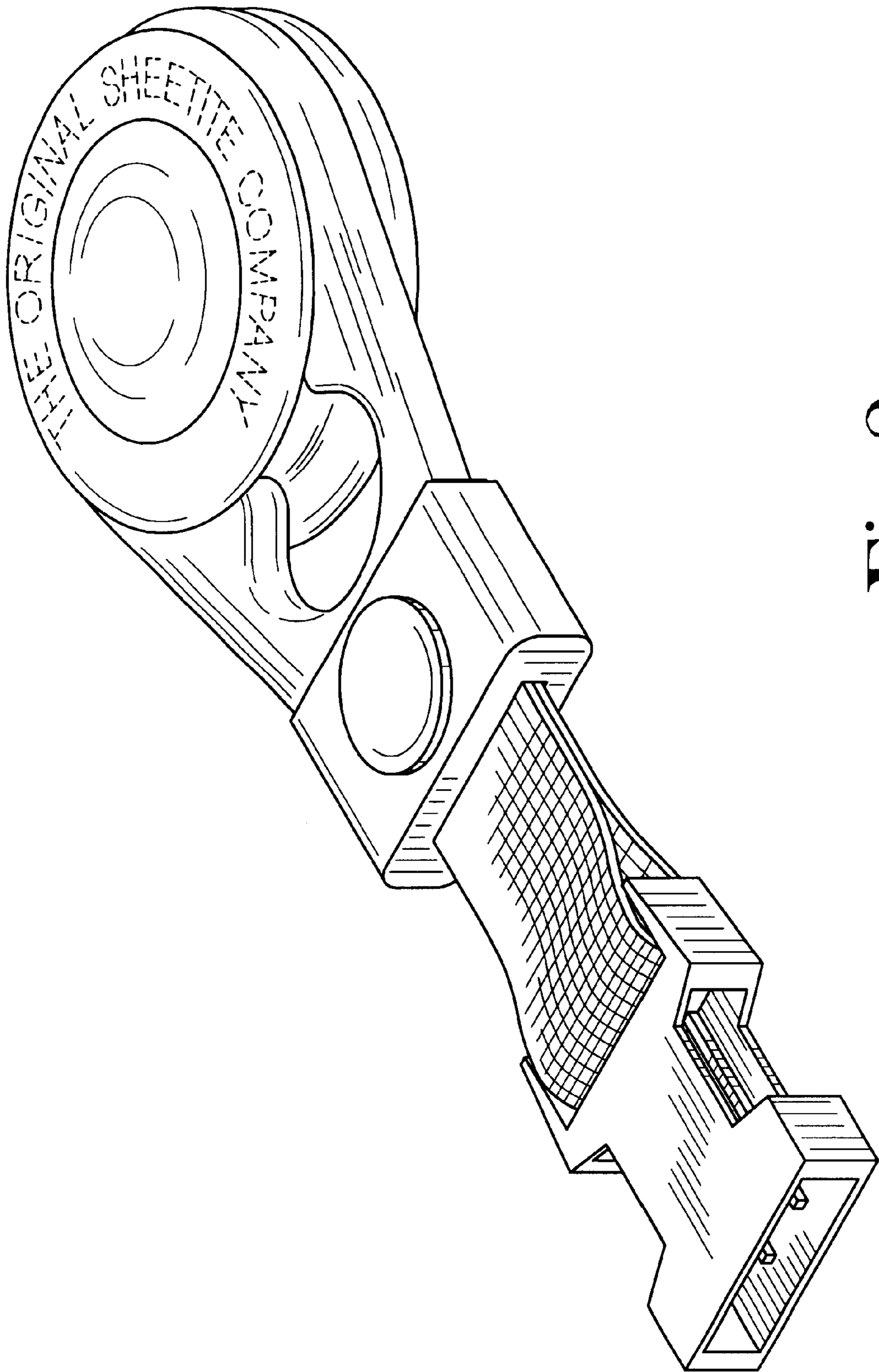


Fig. 2

Fig. 3

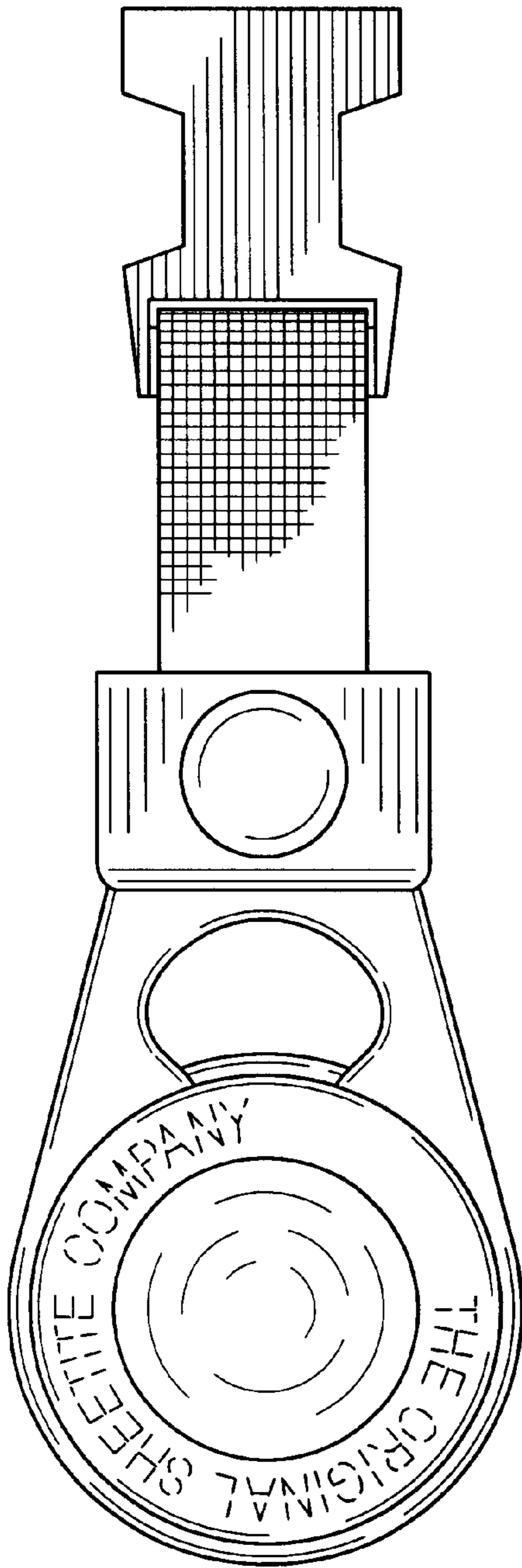
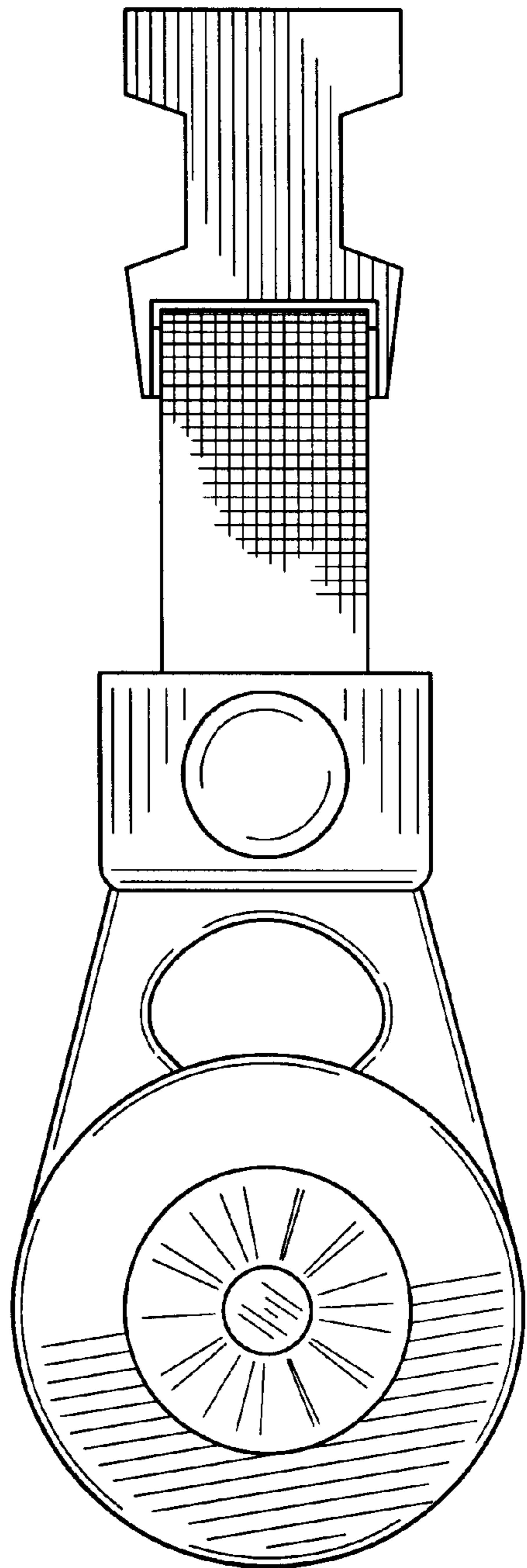


Fig. 4



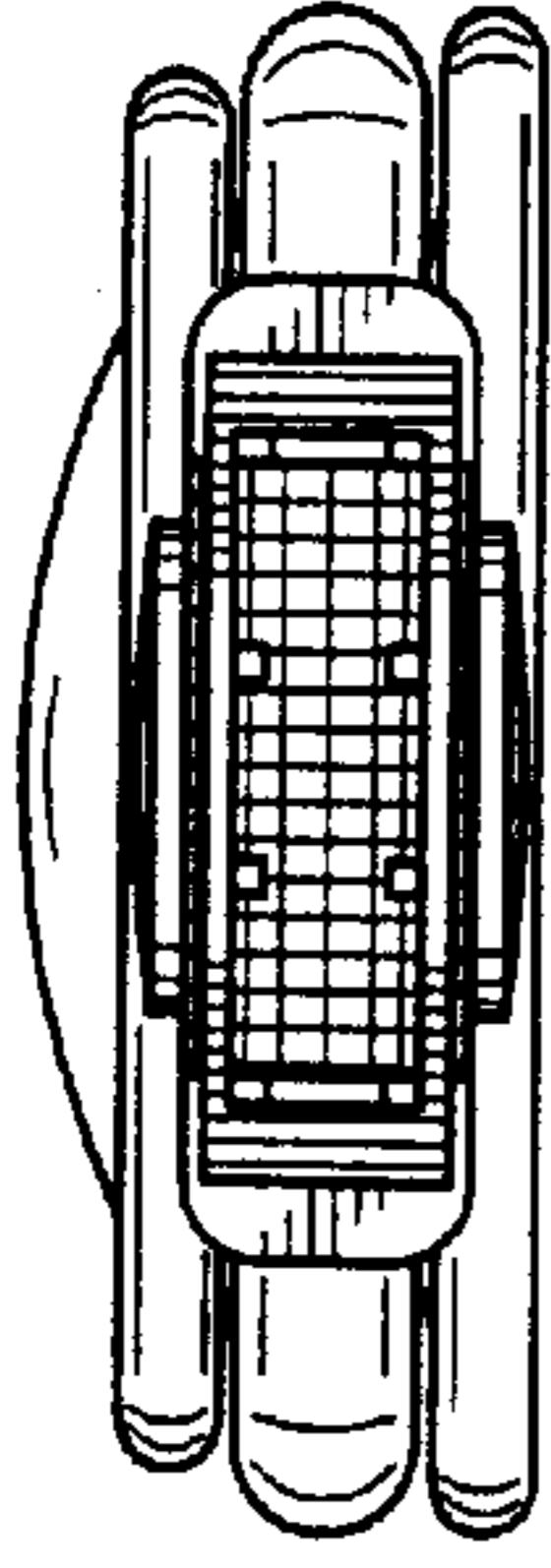


Fig. 6



Fig. 7

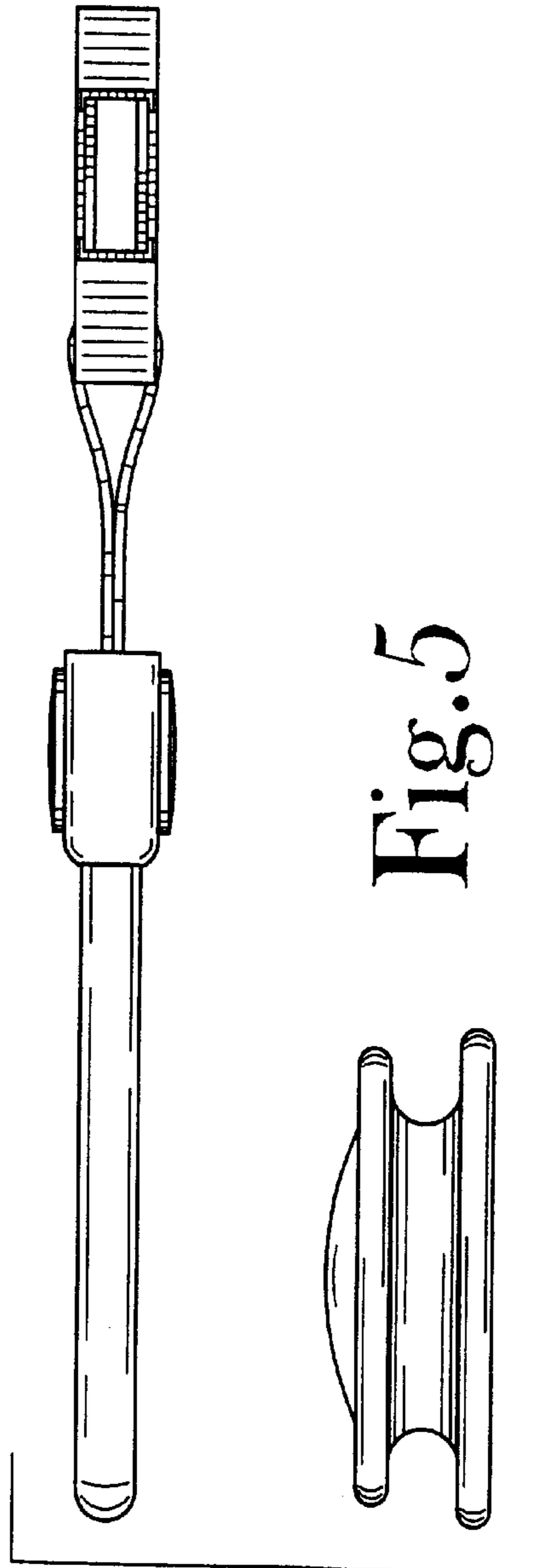


Fig. 5