



US00D445619S

(12) **United States Design Patent**
Achey

(10) **Patent No.:** **US D445,619 S**

(45) **Date of Patent:** **** Jul. 31, 2001**

(54) **BEACH UMBRELLA SNACK TRAY**

5,493,976 2/1996 Hammond .

(76) Inventor: **Steven C. Achey**, 1759 Sharwood Pl.,
Crofton, MD (US) 21114

* cited by examiner

Primary Examiner—Janice E. Seeger

(**) Term: **14 Years**

(57) **CLAIM**

(21) Appl. No.: **29/125,770**

The ornamental design for the beach umbrella snack tray, as shown and described.

(22) Filed: **Jun. 30, 2000**

DESCRIPTION

(51) **LOC (7) Cl.** **06-99**

(52) **U.S. Cl.** **D6/511; D6/417; D7/553.6**

(58) **Field of Search** D6/480-489, 509,
D6/511, 417; D7/553.6, 553.5; 108/25,
50.11, 50.12; 248/156, 530

FIG. 1 is a perspective view of the beach umbrella snack tray;

FIG. 2 is a perspective view of the beach umbrella snack tray;

FIG. 3 is a left side view of the beach umbrella snack tray;

FIG. 4 is a right side view of the beach umbrella snack tray;

FIG. 5 is a front view of the beach umbrella snack tray;

FIG. 6 is a top view of the beach umbrella snack tray; and,

FIG. 7 is the bottom view of the beach umbrella snack tray.

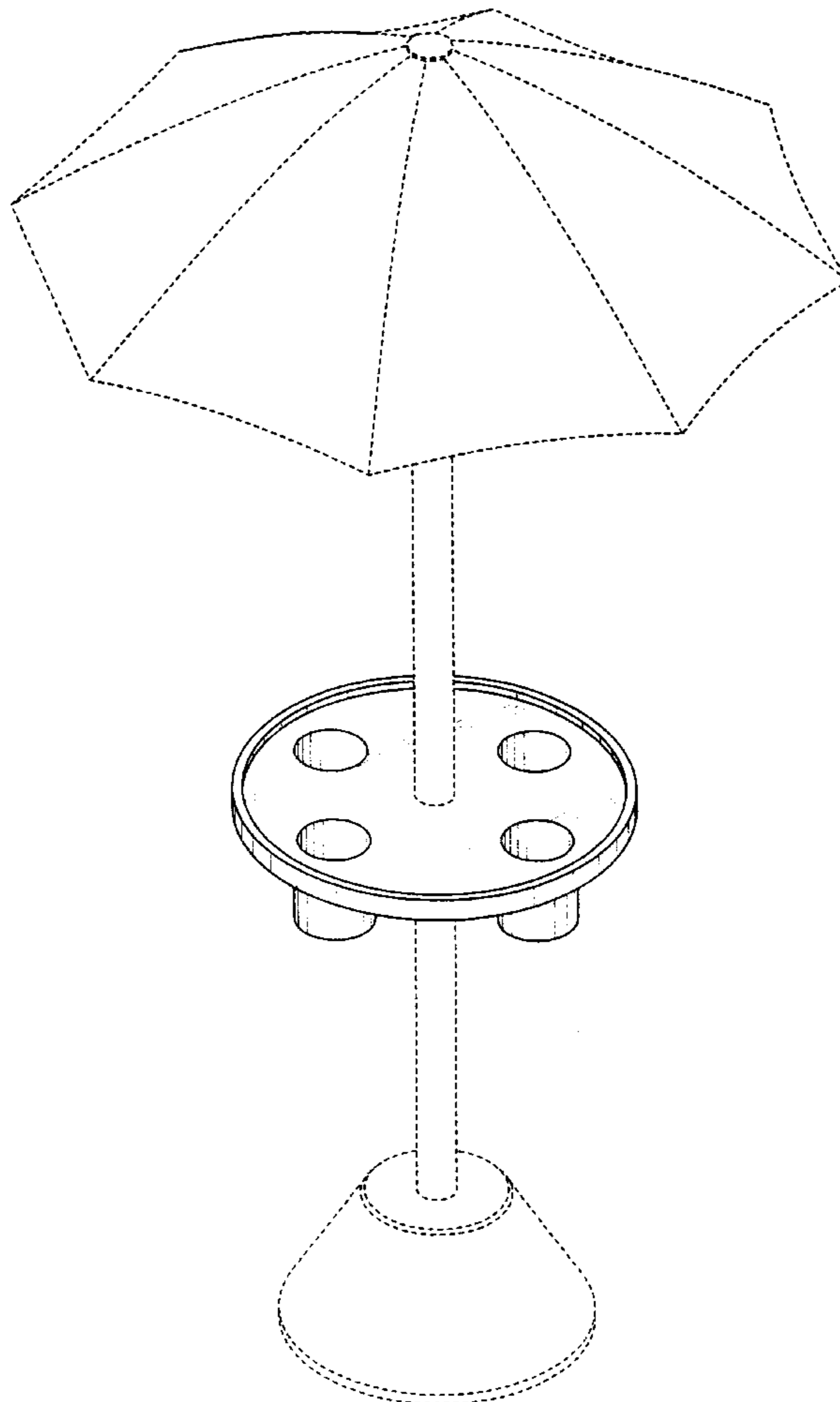
The umbrella as shown in FIG. 1 does not form part of the claimed design, but is shown for illustrative purposes only.

(56) **References Cited**

U.S. PATENT DOCUMENTS

D. 366,372	*	1/1996	Skarda, Jr.	D6/417
D. 388,974	*	1/1998	Piker	D6/417
1,155,638		10/1915	Bowen	.	
3,624,732		11/1971	Bowden	.	
5,322,023		6/1994	Hammond	.	
5,335,803	*	8/1994	O'Brien et al.	211/163

1 Claim, 7 Drawing Sheets



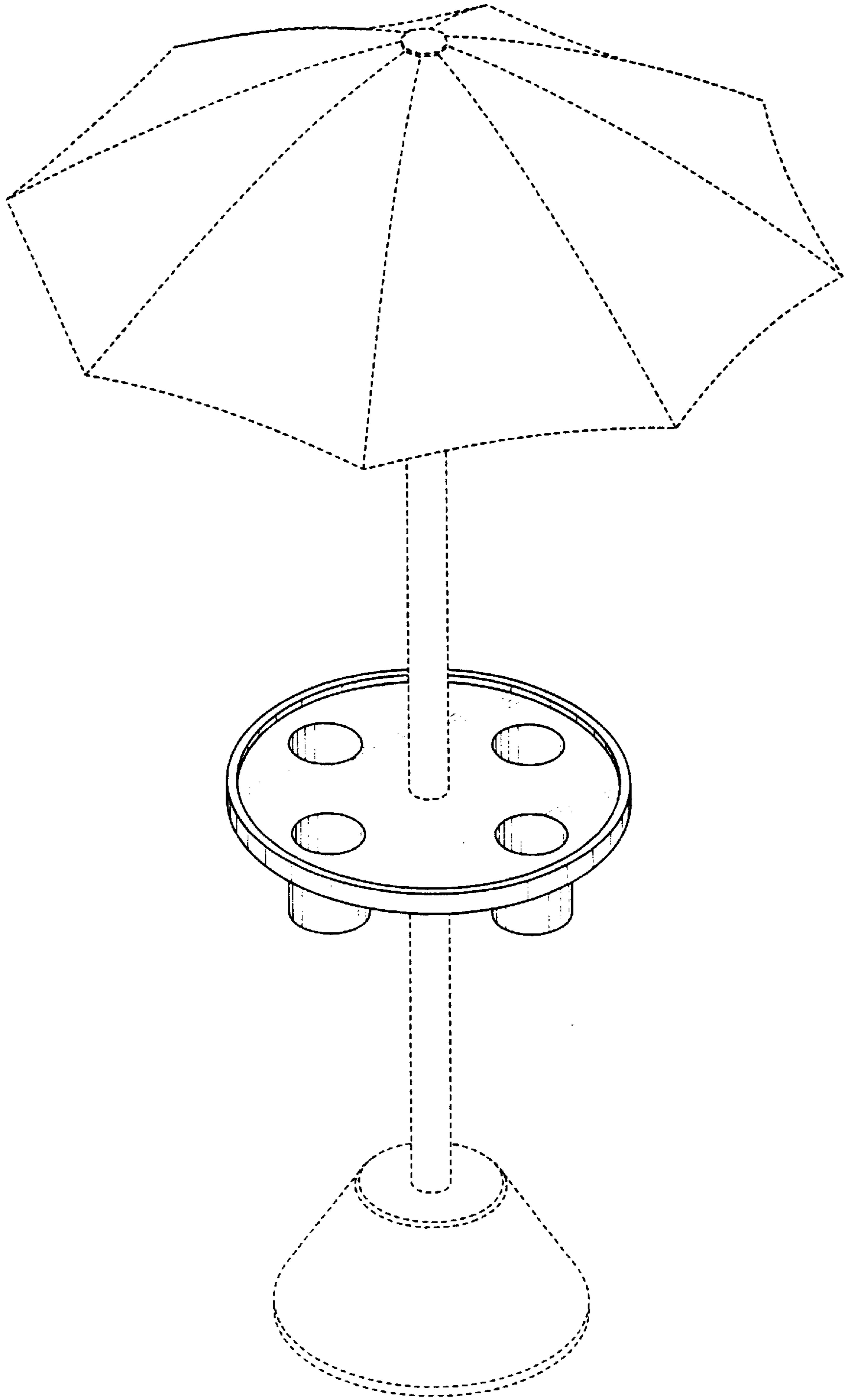


Fig. 1

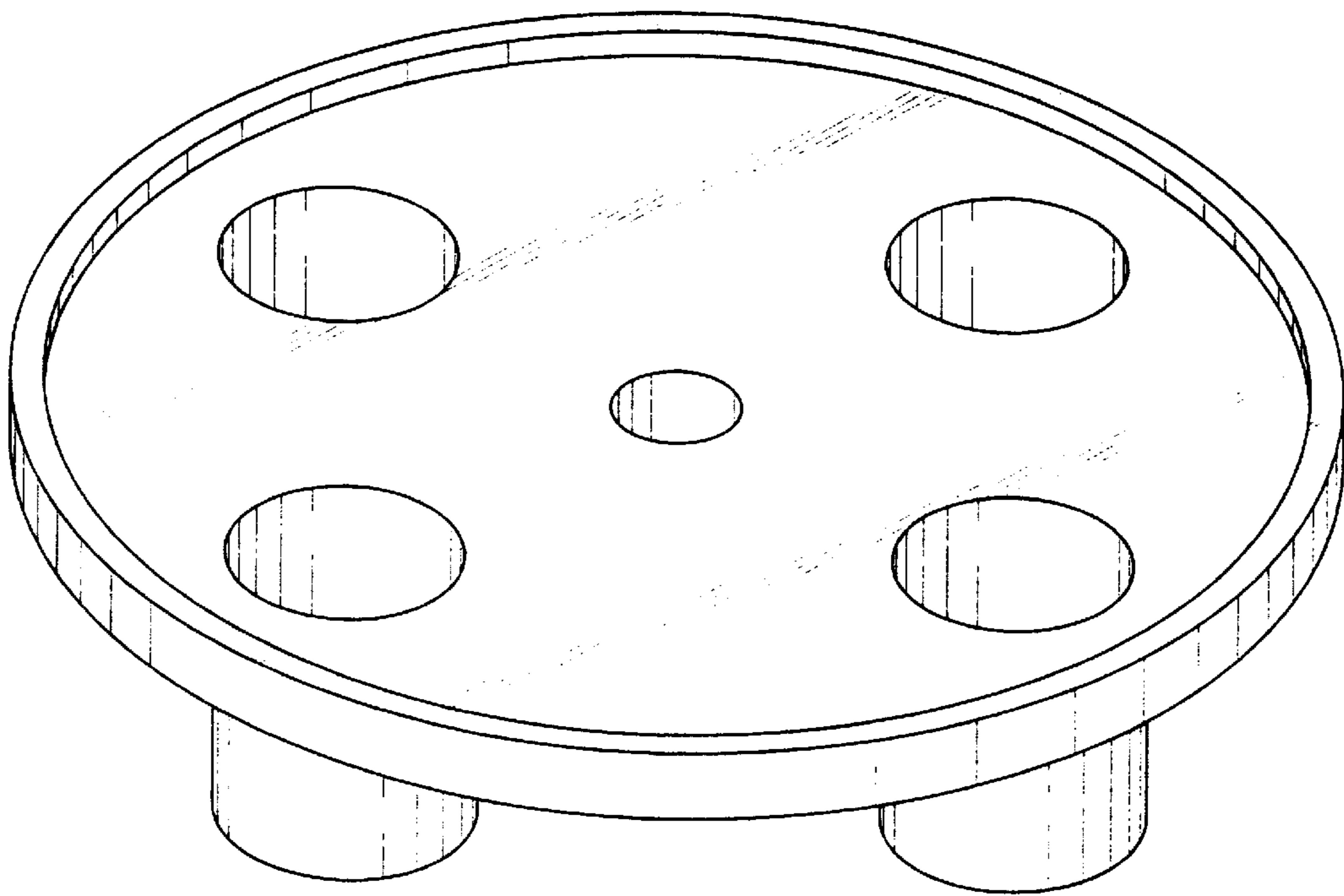


Fig. 2

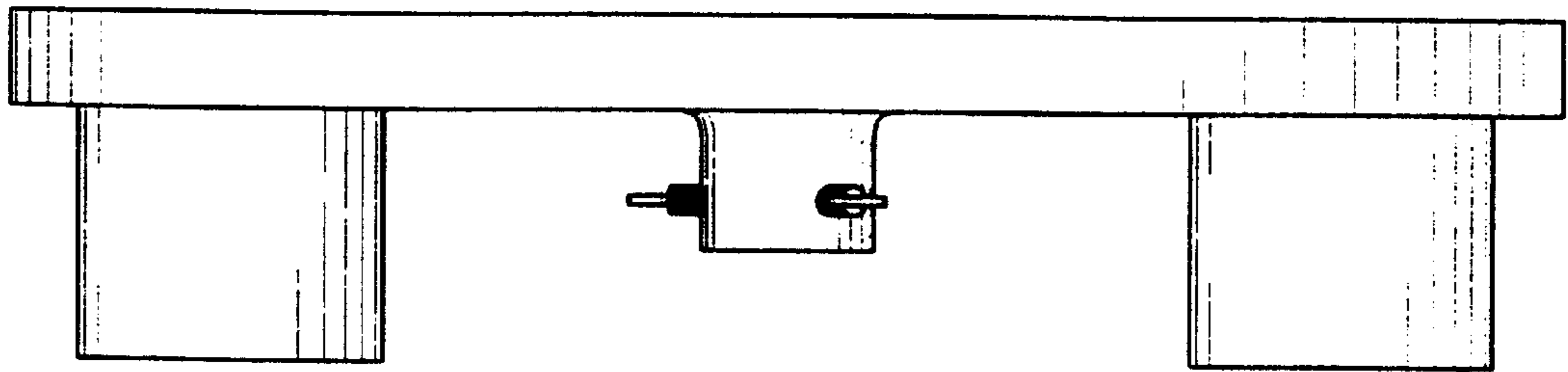


Fig. 3

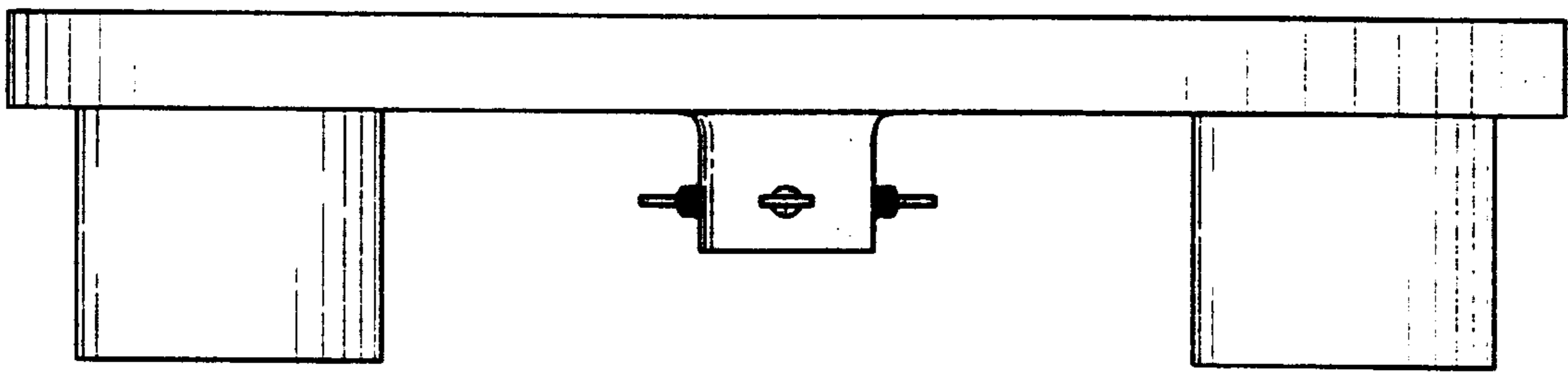


Fig. 4

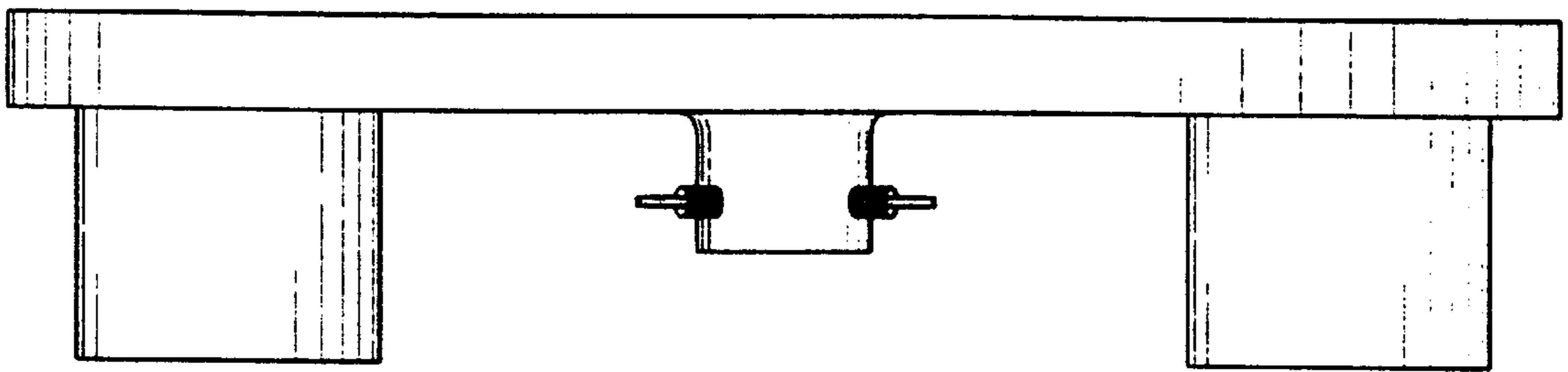


Fig. 5

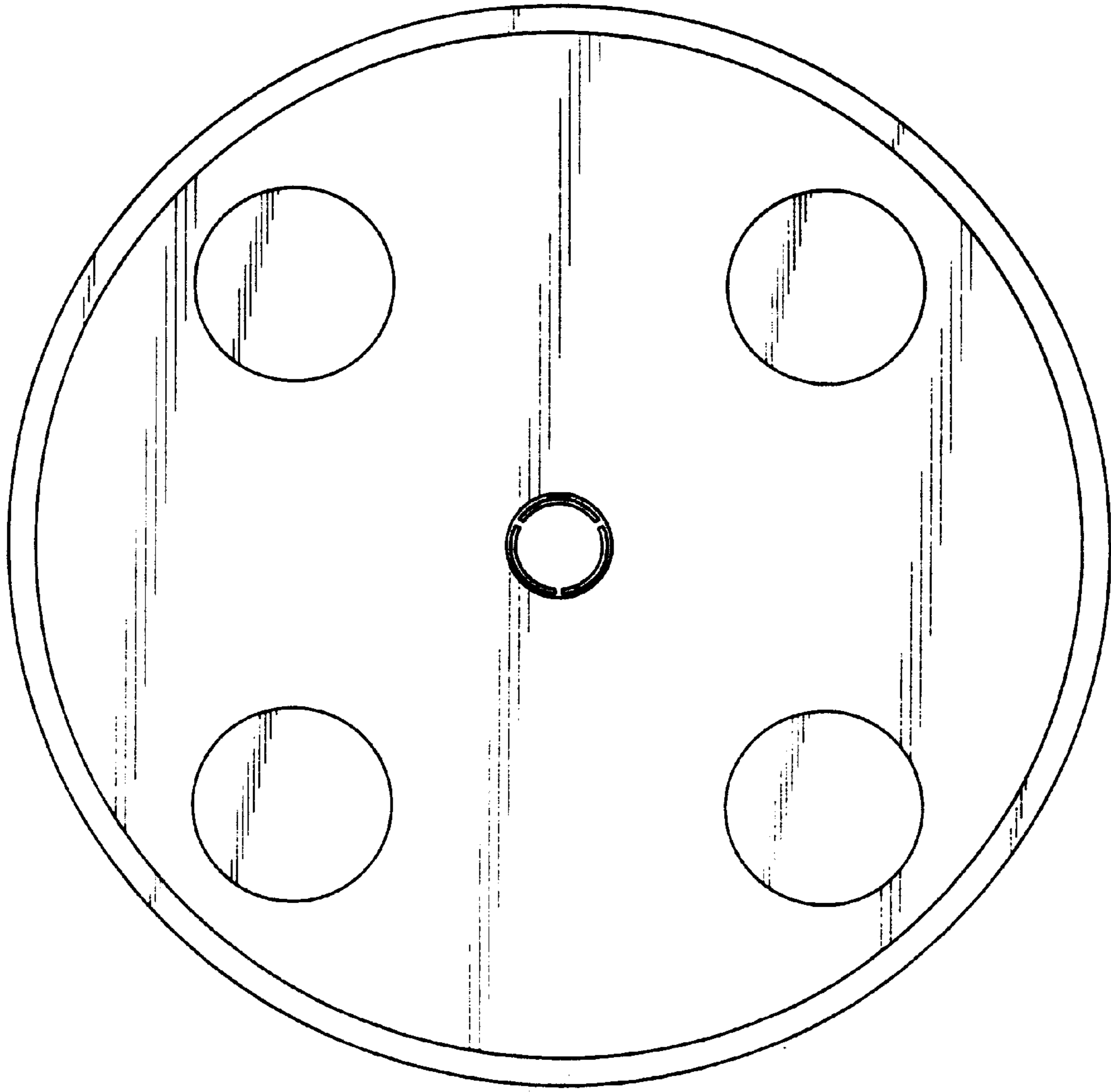


Fig. 6

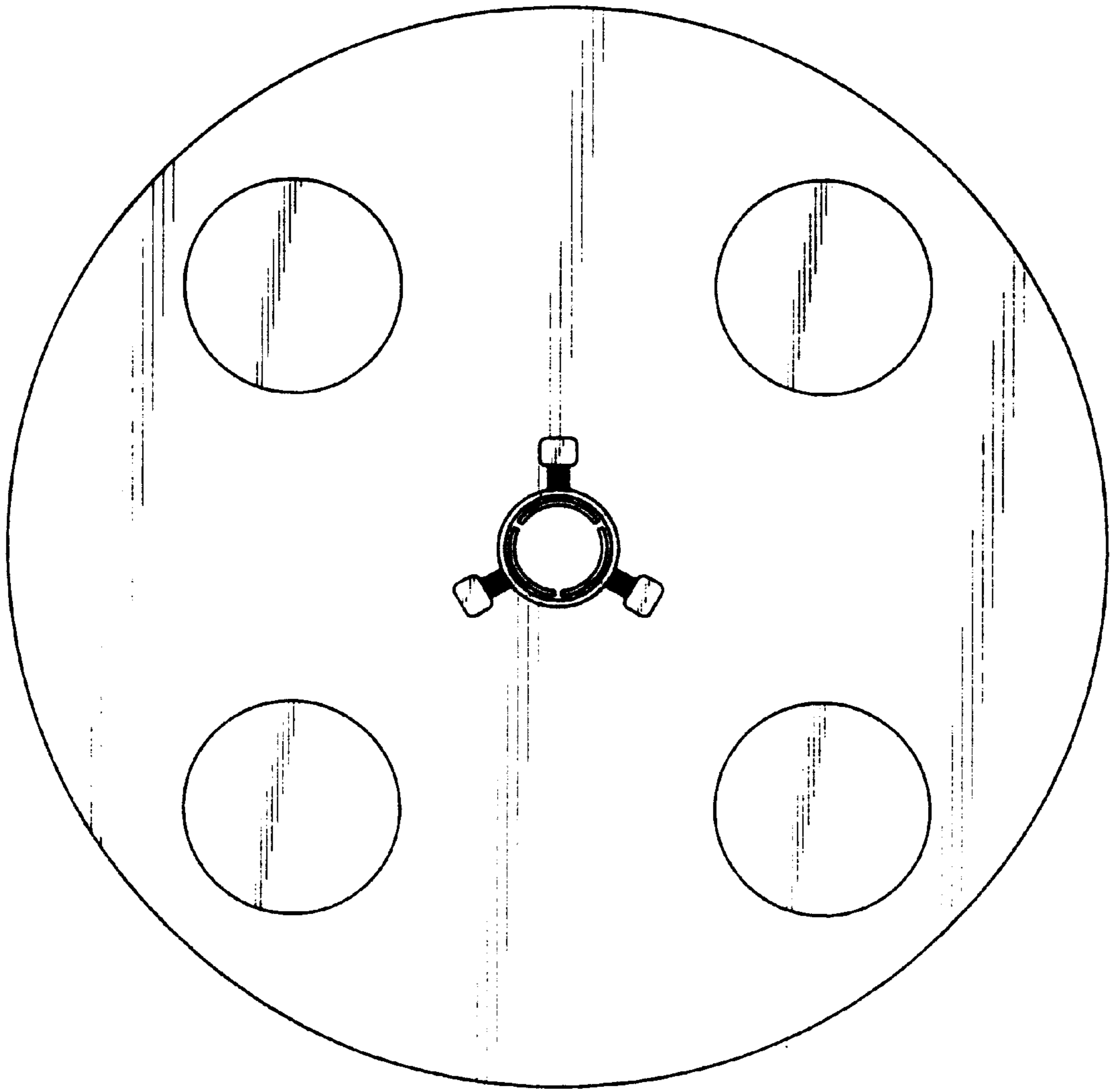


Fig. 7