



US00D445618S

(12) **United States Design Patent**
West

(10) **Patent No.:** **US D445,618 S**

(45) **Date of Patent:** **** Jul. 31, 2001**

(54) **EXPANDABLE SHELF**
(75) Inventor: **Robert A. West**, Shorewood, MN (US)
(73) Assignee: **Westerlund Products Corporation**,
Minnetonka, MN (US)
(**) Term: **14 Years**

4,478,337 10/1984 Flum .
4,535,896 8/1985 Evenson .
4,553,523 11/1985 Stoher, Jr. .
4,696,406 9/1987 Karashima et al. .
4,723,665 2/1988 Benedict et al. .
4,938,365 7/1990 Conway et al. .
5,295,596 * 3/1994 Squitieri 211/175
5,423,597 6/1995 Rogers .

(List continued on next page.)

(21) Appl. No.: **29/125,359**
(22) Filed: **Jun. 22, 2000**
(51) **LOC (7) Cl.** **06-04**
(52) **U.S. Cl.** **D6/511**
(58) **Field of Search** D6/509-511, 491,
D6/492, 494, 495, 486; D25/19, 119-125;
108/59, 61, 64, 67, 73, 102, 179, 143, 47.11,
147.19; 138/118; 160/214, 99; 211/90.01,
90.02, 134, 153, 149, 187, 175; 248/241,
244, 235

Primary Examiner—Prabhakar Deshmukh
(74) *Attorney, Agent, or Firm*—Schwegman, Lundberg,
Woessner & Kluth, P.A.

(57) **CLAIM**

The ornamental design for an expandable shelf, as shown
and described.

DESCRIPTION

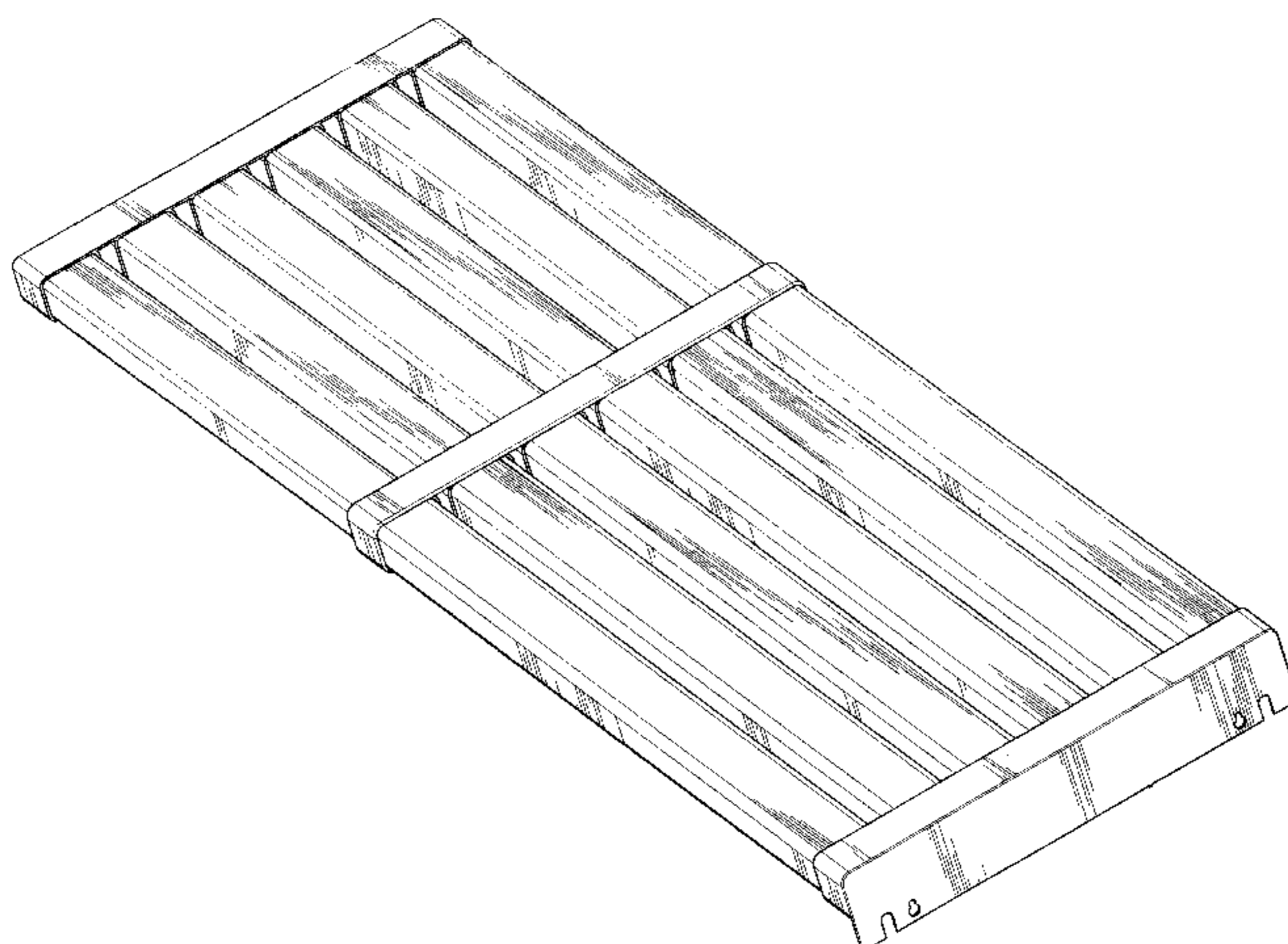
FIG. 1 is a perspective view of an expandable shelf, incor-
porating the new design;
FIG. 2 is a top plan of the expandable shelf of FIG. 1;
FIG. 3 is a front elevation of the expandable shelf of FIG. 1;
FIG. 4 is a bottom plan of the expandable shelf of FIG. 1;
FIG. 5 is a rear elevation of the expandable shelf of FIG. 1;
FIG. 6 is a left-side elevation of the expandable shelf of FIG.
1;
FIG. 7 is a right-side elevation of the expandable shelf of
FIG. 1;
FIG. 8 is a partial cross-sectional view of a part of the
expandable shelf of FIG. 1, showing the structure cut at line
8—8 only, without showing structure behind line 8—8 for
clarity;
FIG. 9 is a partial cross-sectional view of a part of the
expandable shelf of FIG. 1, showing the structure cut at line
9—9 only, without showing structure behind line 9—9, for
clarity;
FIG. 10 is a perspective view of an alternative position of the
expandable shelf of FIG. 1; and,
FIG. 11 is a top plan of a second embodiment of an
expandable shelf, an expandable shelf of indeterminate
length incorporating the new design.

(56) **References Cited**

U.S. PATENT DOCUMENTS

204,237 * 5/1878 Miller et al. 108/202 X
D. 314,682 * 2/1991 Kellems et al. D6/511
330,380 11/1885 Cregmile .
D. 355,551 * 2/1995 McNamara et al. D6/511
D. 407,247 * 3/1999 Brezney D6/511
D. 426,089 * 6/2000 Vlah D6/491
563,467 7/1896 Farwell .
622,666 4/1899 Burwell .
779,262 1/1905 Burke .
934,148 9/1909 Duff .
1,682,060 8/1928 Banks .
2,205,730 6/1940 Morgan .
2,294,595 9/1942 Dice .
2,545,844 3/1951 Cougias .
2,888,305 5/1959 Perry .
3,650,588 3/1972 Helland .
3,836,218 9/1974 Hallal .
4,036,369 7/1977 Eisenberg .
4,106,735 8/1978 Partain et al. .
4,155,312 5/1979 Thorkildson .
4,192,562 3/1980 Bishoff et al. .
4,470,647 9/1984 Bishoff et al. .

1 Claim, 6 Drawing Sheets



US D445,618 S

Page 2

U.S. PATENT DOCUMENTS

5,553,824	9/1996	Dutra, Jr. .	5,762,208	6/1998	Yeh .	
5,586,666	12/1996	Squitieri .	6,021,908	* 2/2000	Mathews	211/175
5,605,238	2/1997	Jacobs .	6,142,321	* 11/2000	West	211/153

* cited by examiner

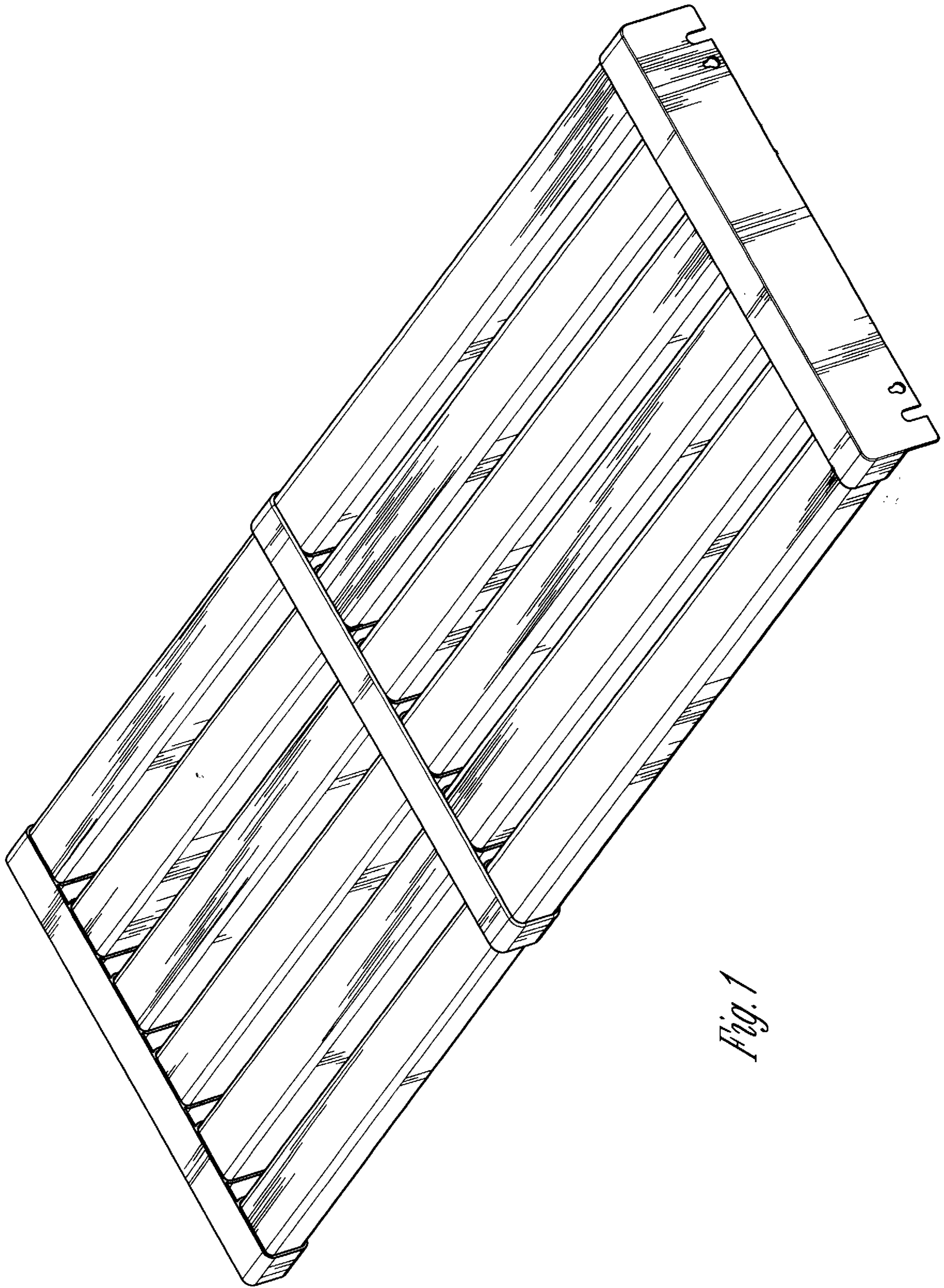
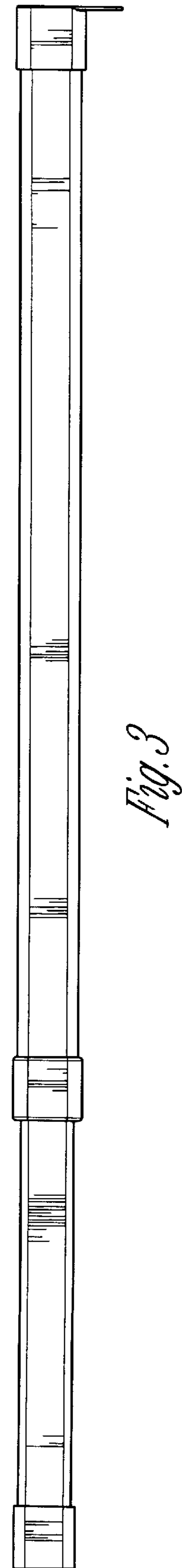
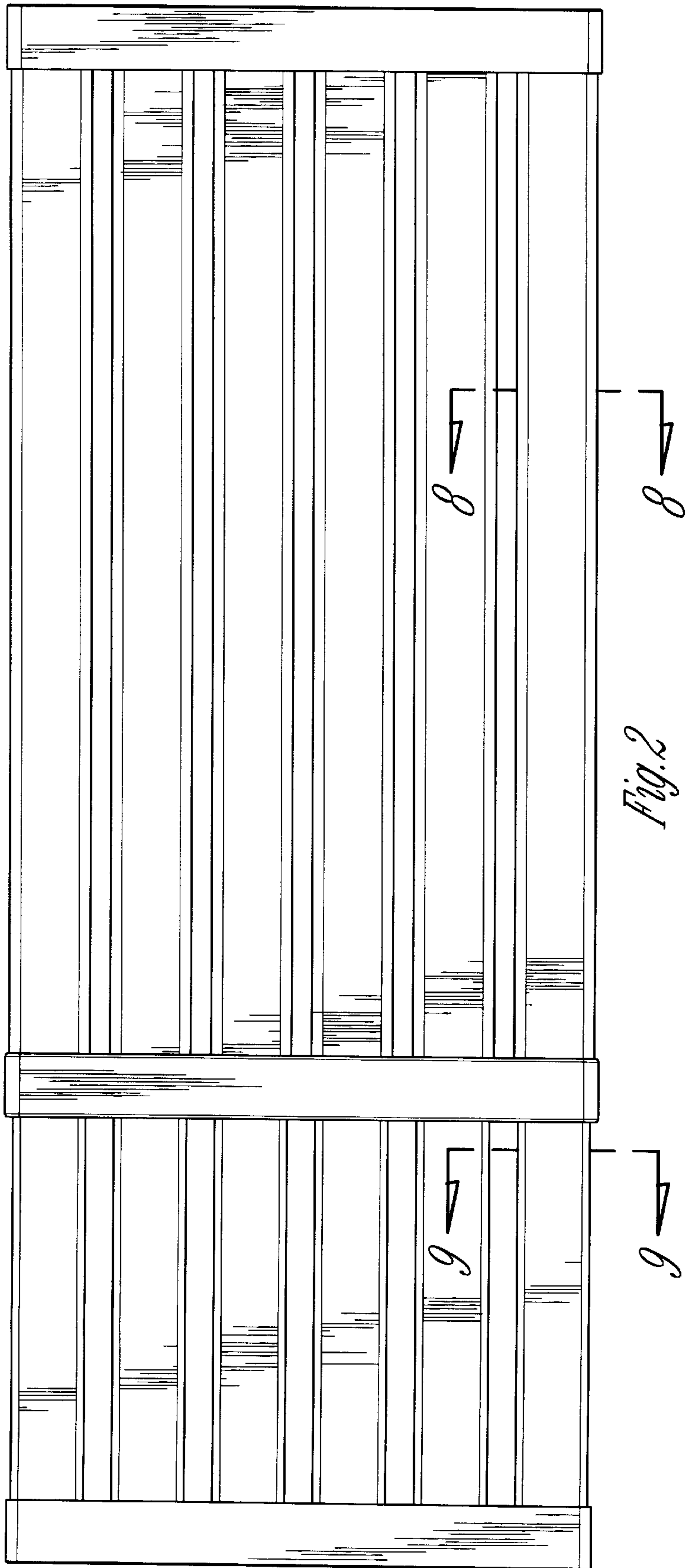


Fig. 1



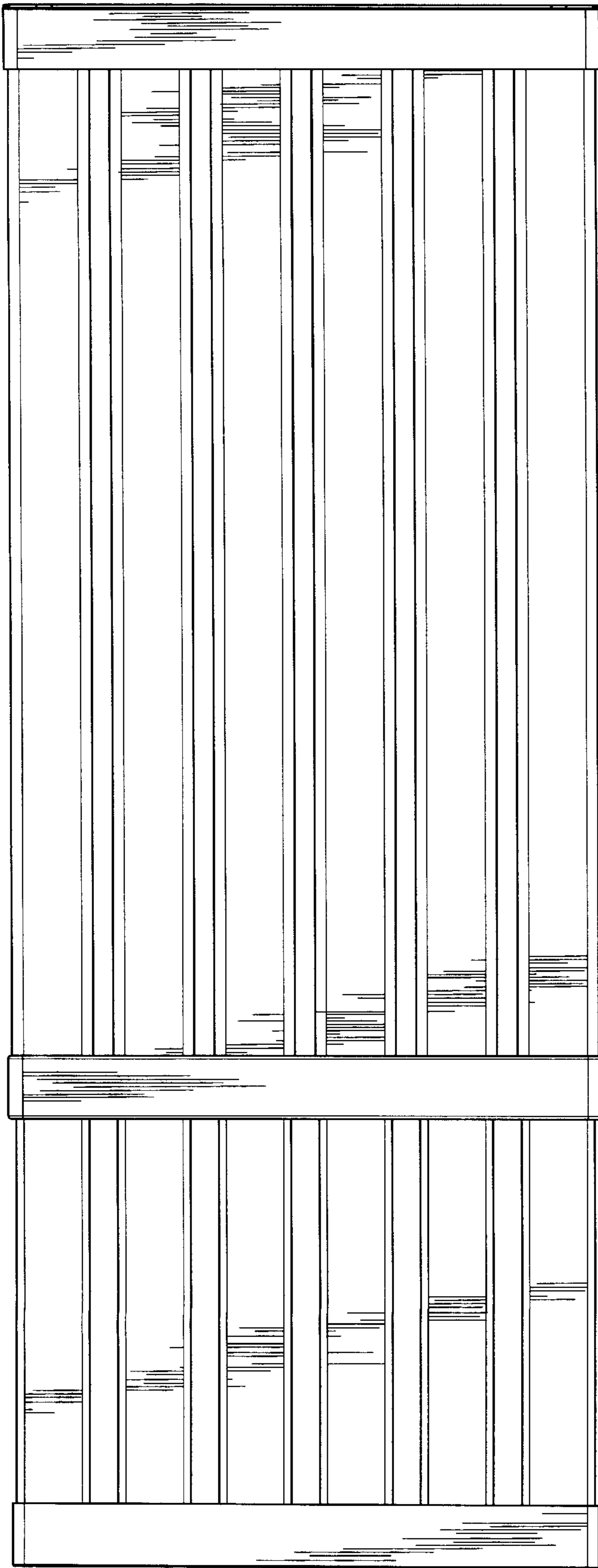


Fig. 4

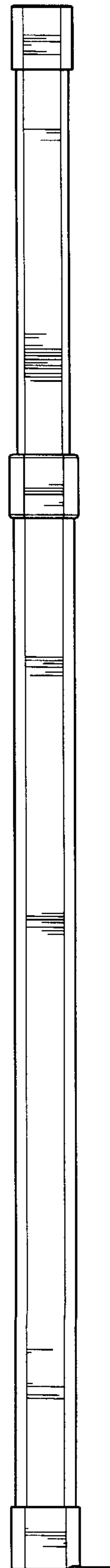


Fig. 5

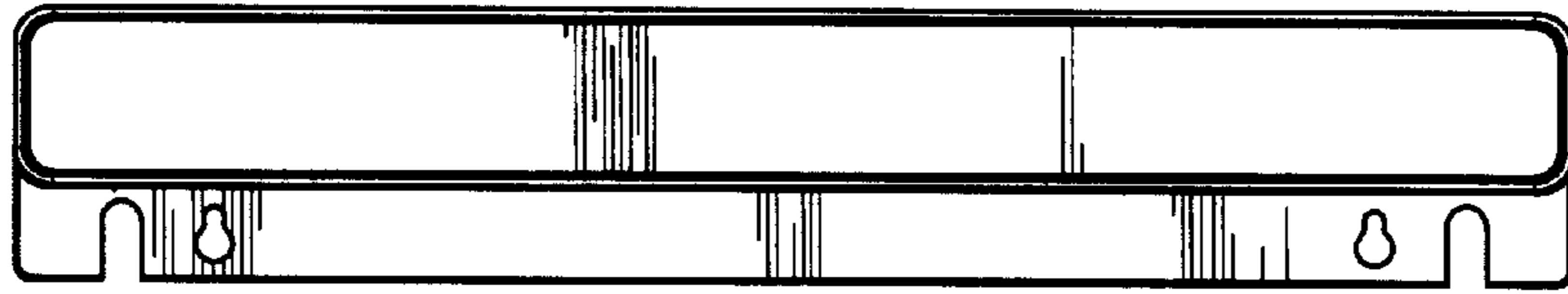


Fig. 6

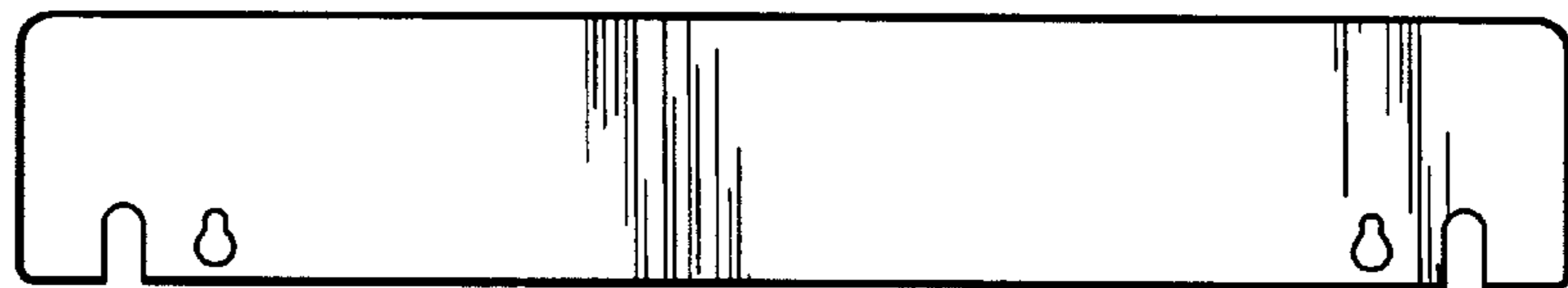


Fig. 7



Fig. 8



Fig. 9

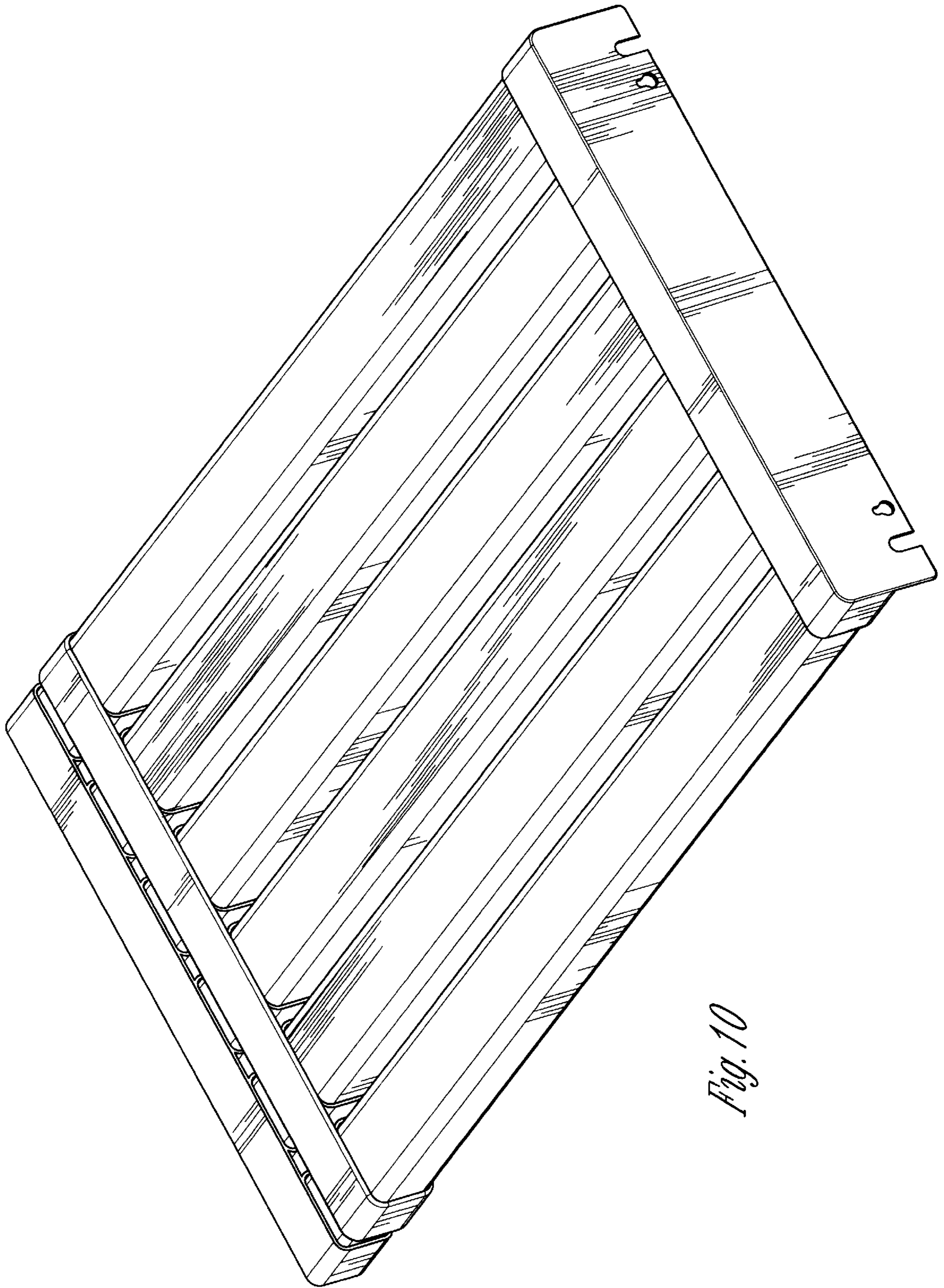


Fig. 10

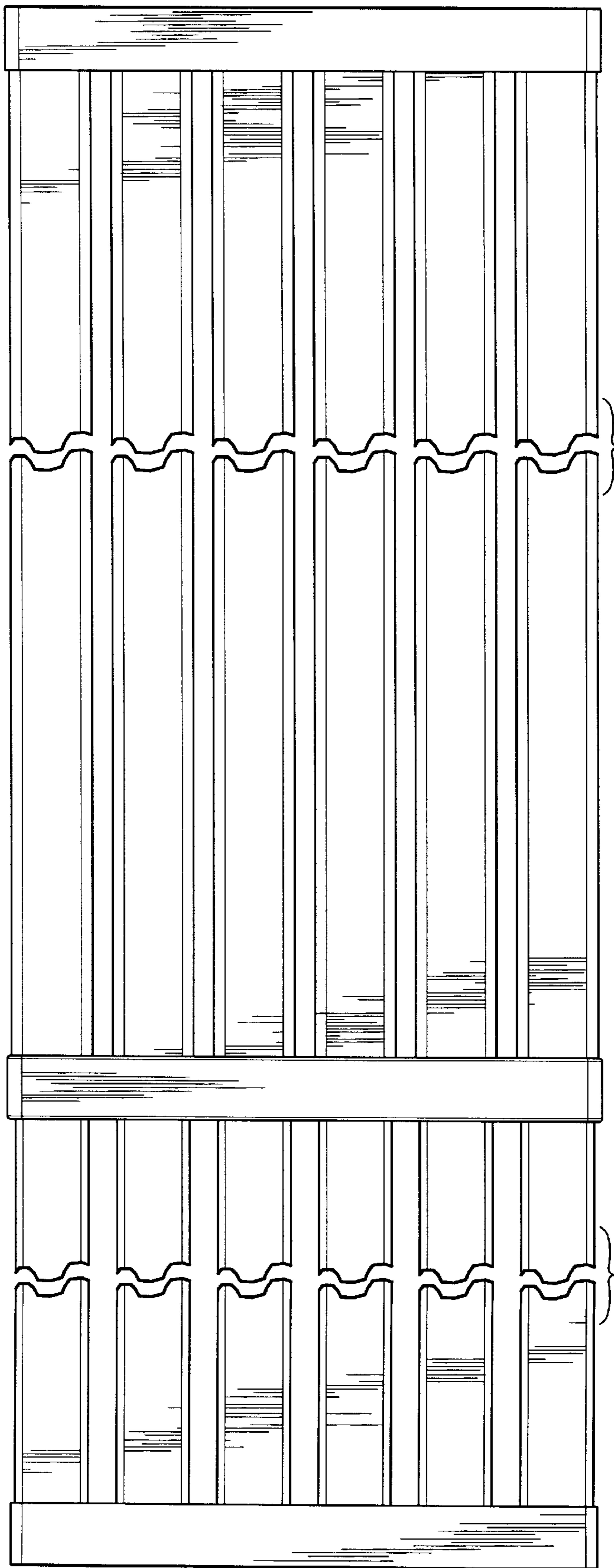


Fig. 11