



US00D445616S

(12) **United States Design Patent**
Draheim et al.

(10) **Patent No.:** **US D445,616 S**

(45) **Date of Patent:** **** Jul. 31, 2001**

(54) **HUTCH CABINET**

(75) Inventors: **Harvey J. Draheim**, Weyauwega; **Scott A. Krueger**, Appleton, both of WI (US)

(73) Assignee: **Simmons Juvenile Products Company, Inc.**, New London, WI (US)

(**) Term: **14 Years**

(21) Appl. No.: **29/131,516**

(22) Filed: **Oct. 23, 2000**

(51) **LOC (7) Cl.** **06-06**

(52) **U.S. Cl.** **D6/509; D6/438**

(58) **Field of Search** D6/432-448, 477-479;
108/59, 147.11; 211/134, 187, 153, 207

(56) **References Cited**

U.S. PATENT DOCUMENTS

- D. 370,374 6/1996 Brunner et al. .
- D. 374,573 * 10/1996 Brunner et al. D6/479
- D. 425,333 * 5/2000 Draheim et al. D6/477
- D. 428,281 * 7/2000 Draheim et al. D6/477
- D. 435,988 * 1/2001 Draheim et al. D6/509

OTHER PUBLICATIONS

Simmons Juvenile Products Catalog, 1998 (4630 Series).

* cited by examiner

Primary Examiner—Cathron C. Brooks

(74) *Attorney, Agent, or Firm*—Hoffmann & Baron, LLP

(57) **CLAIM**

The ornamental design for a hutch cabinet, as shown and described.

DESCRIPTION

FIG. 1 is a top perspective view of a hutch cabinet showing our new design;

FIG. 2 is a top plan view thereof;

FIG. 3 is a front elevation view thereof;

FIG. 4 is a side elevation view thereof; and,

FIG. 5 is a side elevation view thereof opposite from the side shown in FIG. 4.

The bottom and rear views form no part of the claimed design. The subject matter shown in broken lines is for environmental purposes and forms no part of the claimed design.

1 Claim, 4 Drawing Sheets

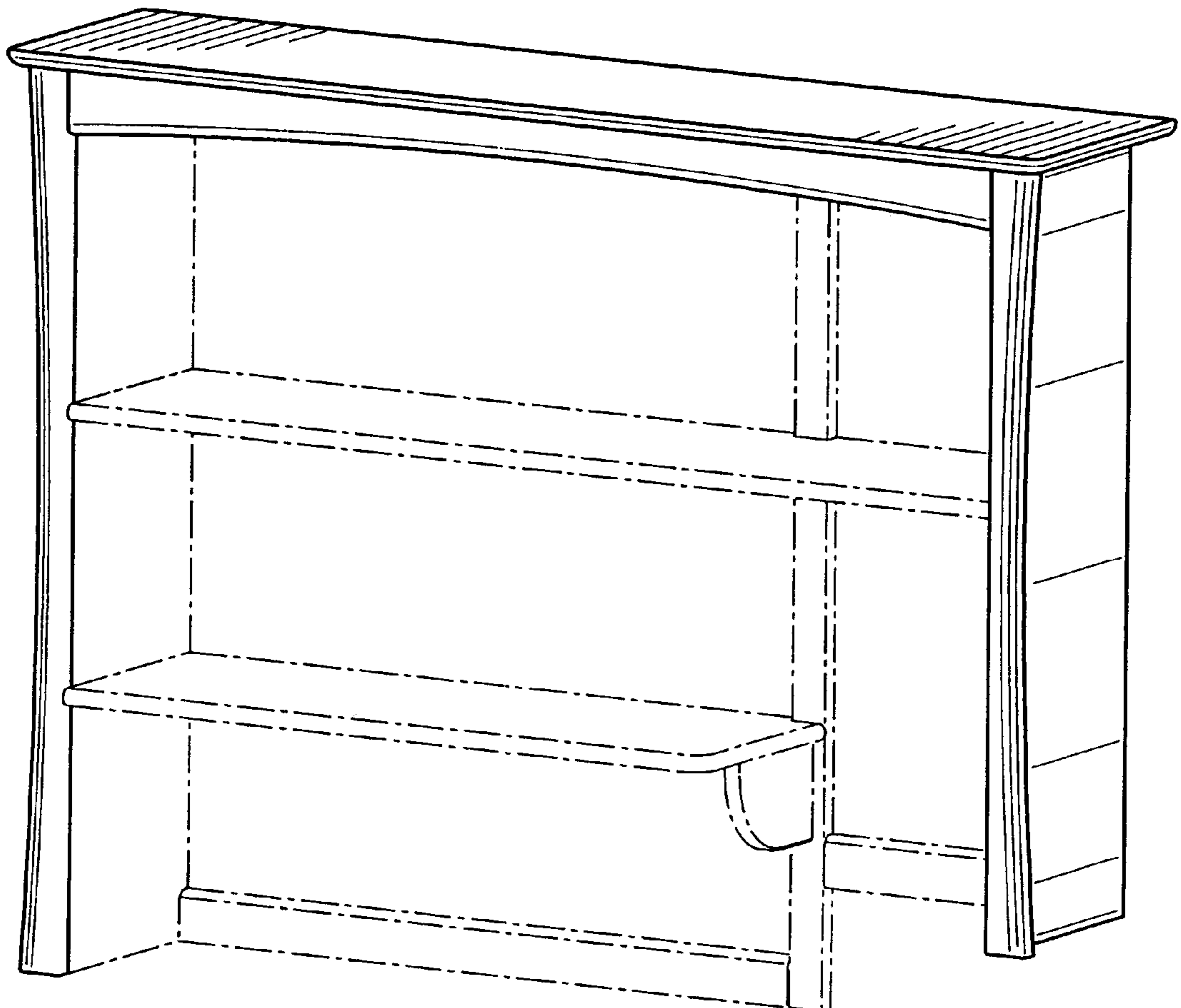


FIG. 1

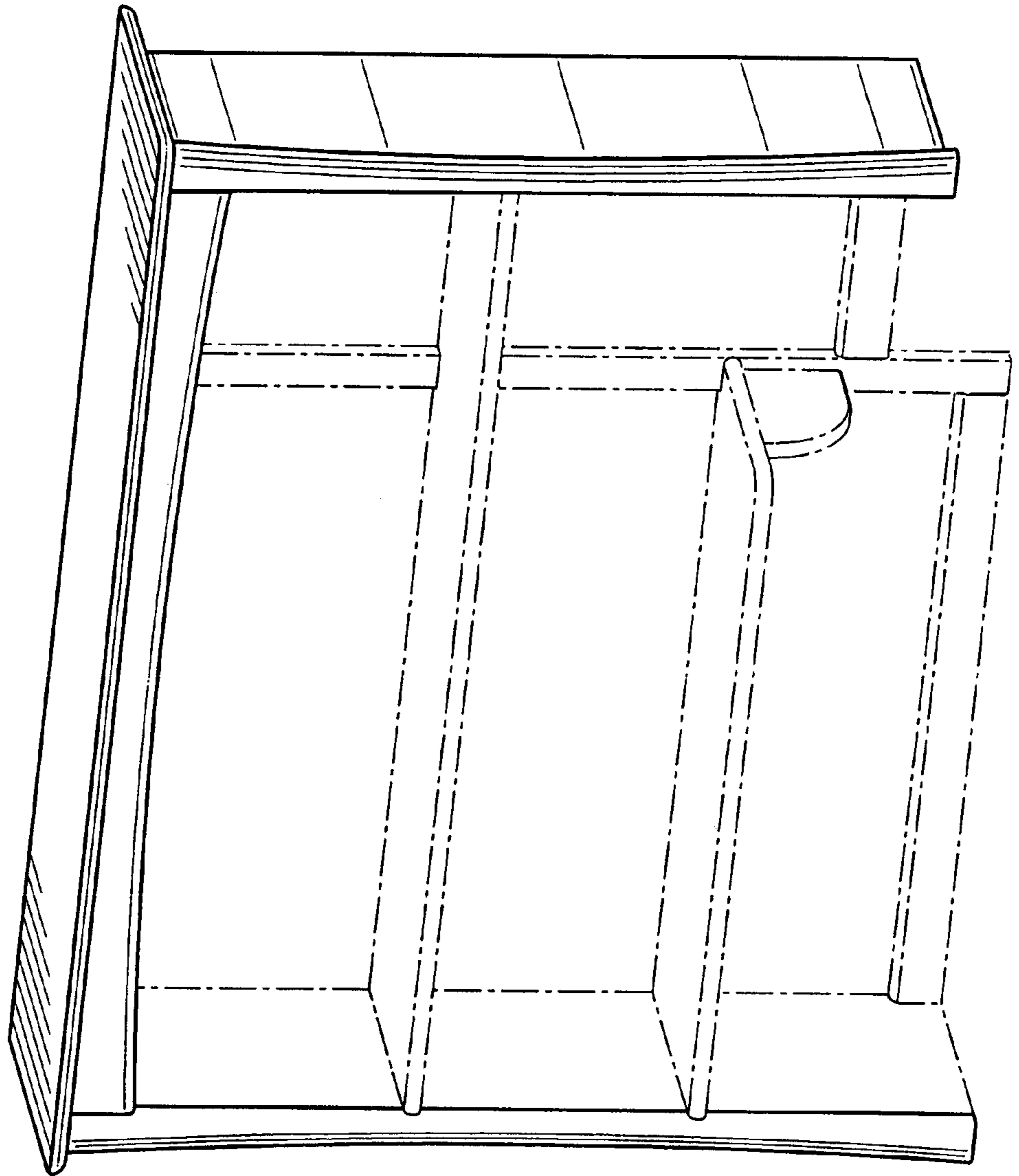


FIG. 2

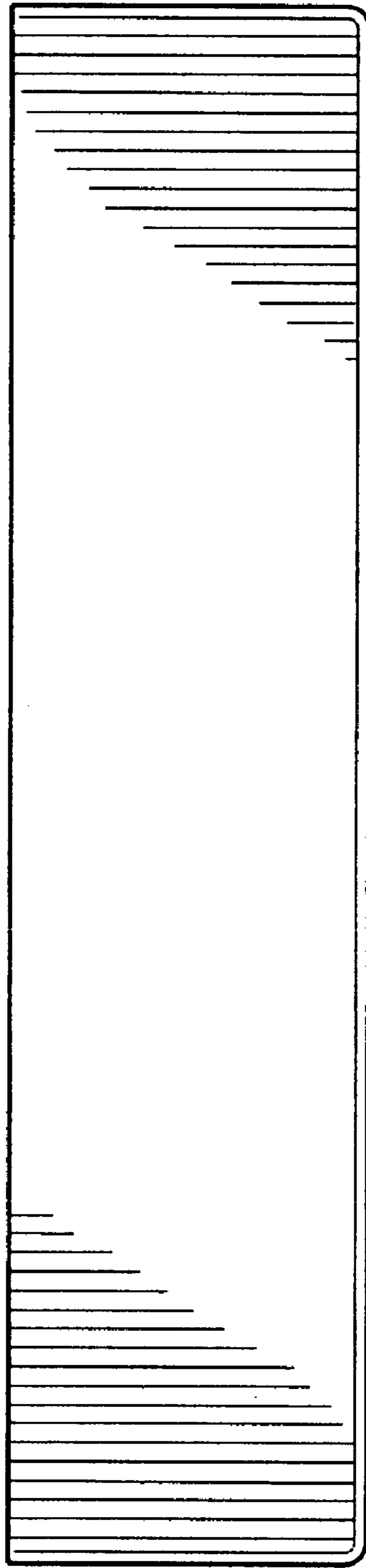


FIG. 3

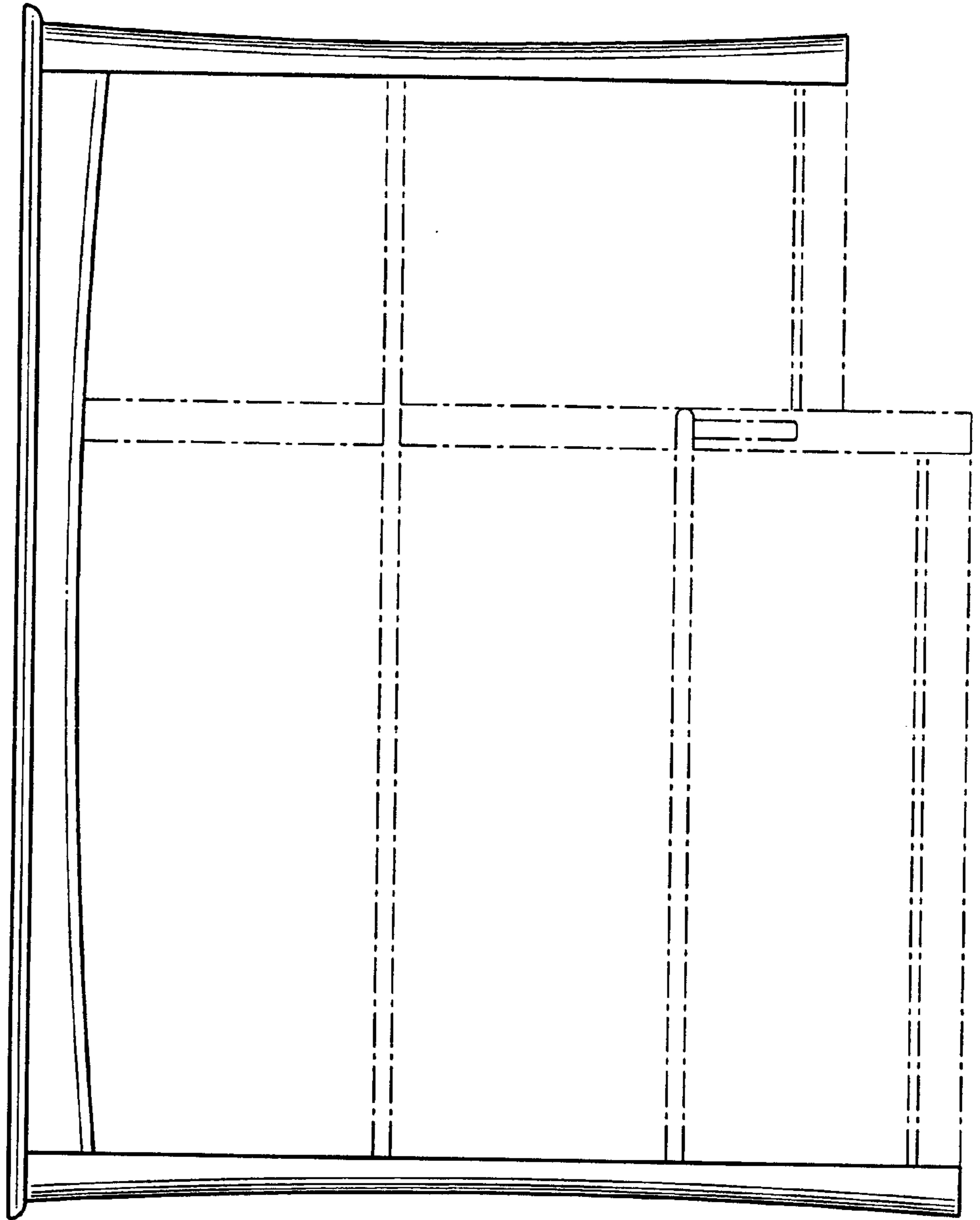


FIG. 5

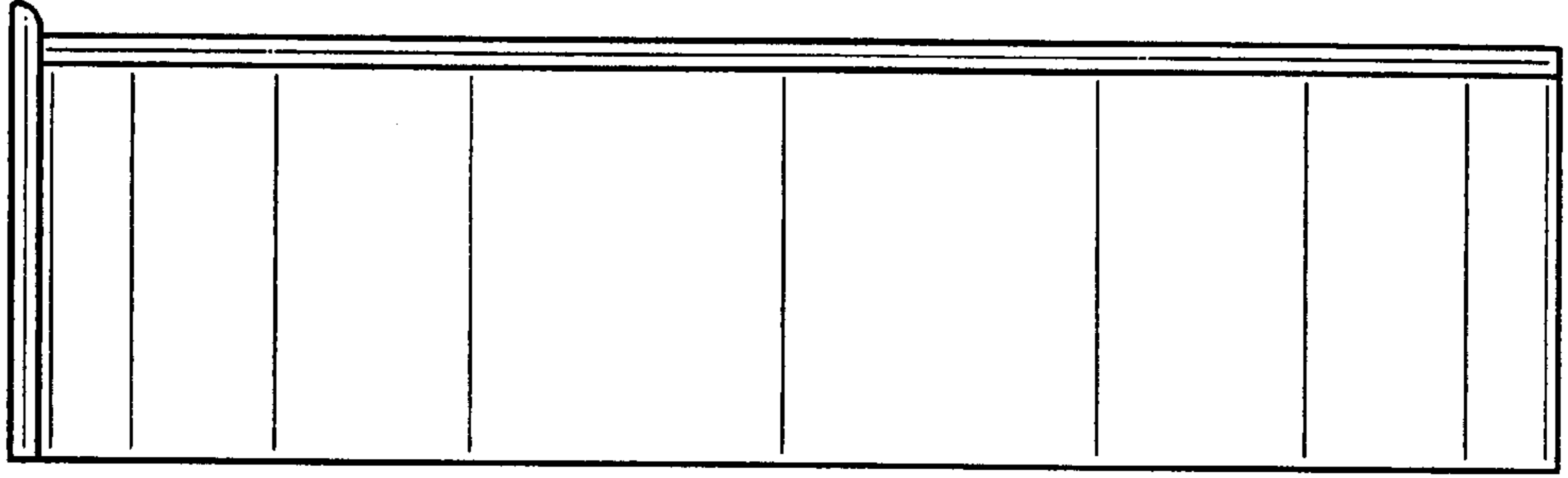


FIG. 4

