



US00D445614S

(12) **United States Design Patent**
Sommerfeld et al.

(10) **Patent No.:** **US D445,614 S**

(45) **Date of Patent:** **** Jul. 31, 2001**

(54) **PIVOTABLE SUPPORT FOR AN ARTICULATED BED**

(75) Inventors: **Dean R. Sommerfeld**, Iola; **James K. Krivoshein, Jr.**, Stevens Point, both of WI (US)

(73) Assignee: **Sunrise Medical CCG, Inc.**, Stevens Point, WI (US)

(**) Term: **14 Years**

(21) Appl. No.: **29/110,844**

(22) Filed: **Sep. 14, 1999**

(51) **LOC (7) Cl.** **06-06**

(52) **U.S. Cl.** **D6/503**; D6/495

(58) **Field of Search** D6/382-389, 392-395;
5/907, 310, 610, 600, 613, 618

(56) **References Cited**

U.S. PATENT DOCUMENTS

3,611,453	*	10/1971	Lokken	5/610
4,118,811	*	10/1978	Degen	5/610
4,582,050	*	4/1986	Willis	5/610 X
4,723,808	*	2/1988	Hines	5/610 X
5,608,932	*	3/1997	Hasegawa	5/611
6,076,209	*	6/2000	Paul	5/617

* cited by examiner

Primary Examiner—Janice E. Seeger

(74) *Attorney, Agent, or Firm*—MacMillan, Sobanski & Todd, LLC

(57) **CLAIM**

The ornamental design for a pivotable support for an articulated bed, as shown and described.

DESCRIPTION

FIG. 1 is a top plan view of a pivotable support for an articulated bed with the bottom being identical thereto;

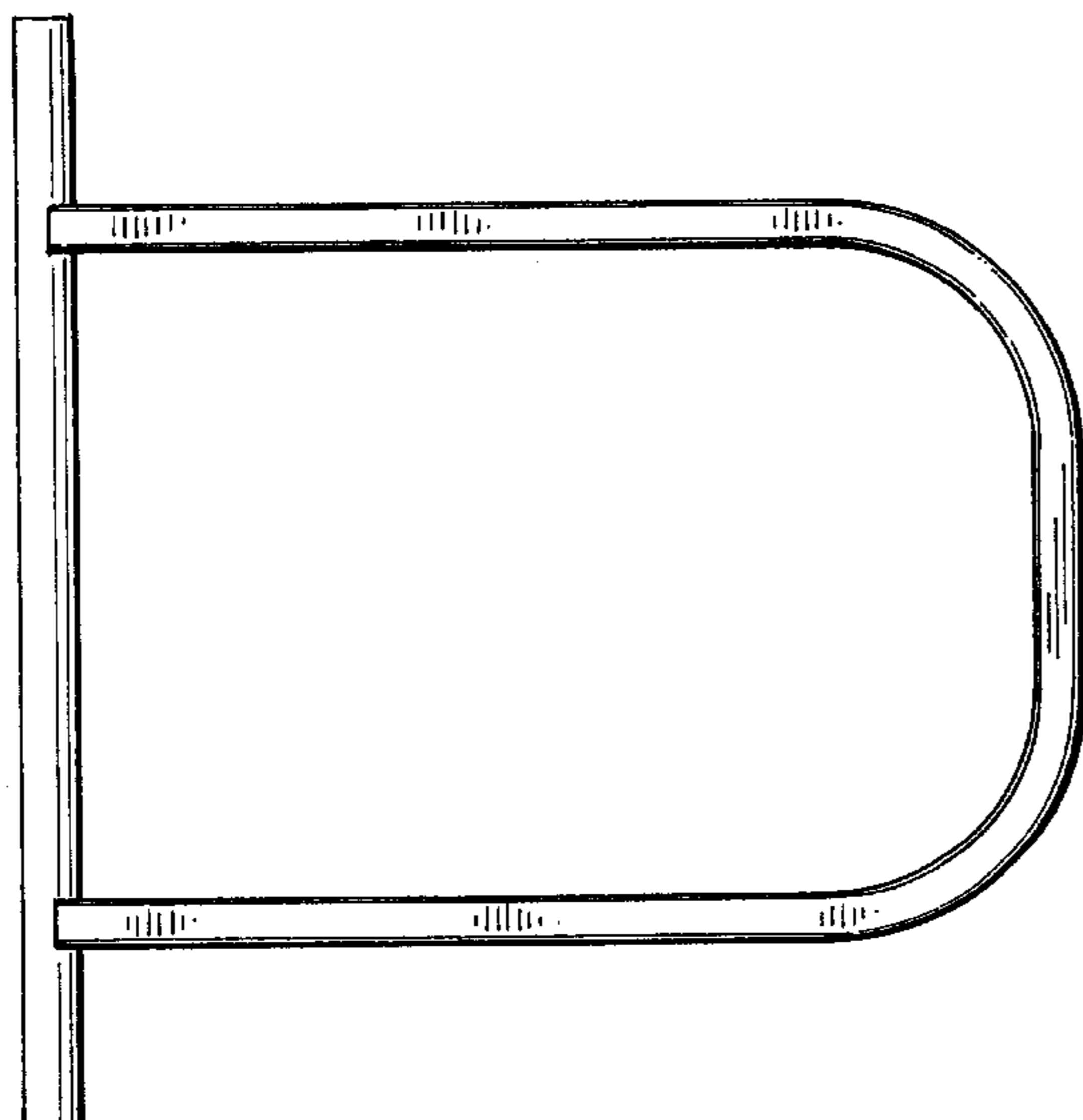


FIG. 2 is a left side elevational view of the pivotable support shown in FIG. 1;

FIG. 3 is a front elevational view of the pivotable support shown in FIGS. 1 and 2;

FIG. 4 is a rear elevational view of the pivotable support shown in FIGS. 1 through 3;

FIG. 5 is a top plan view of another pivotable support;

FIG. 6 is a bottom plan view of the pivotable support shown in FIG. 5;

FIG. 7 is a left side elevational view of the pivotable support shown in FIGS. 5 and 6 with the right side being a mirror image thereof;

FIG. 8 is a front elevational view of the pivotable support shown in FIGS. 5 through 7;

FIG. 9 is a rear elevational view of the pivotable leg shown in FIGS. 5 through 8;

FIG. 10 is a top plan view of another pivotable support with the bottom being identical thereto;

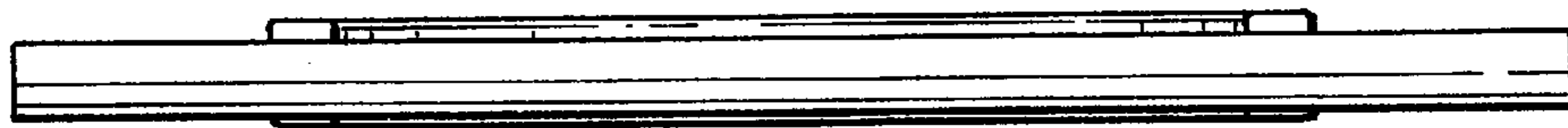
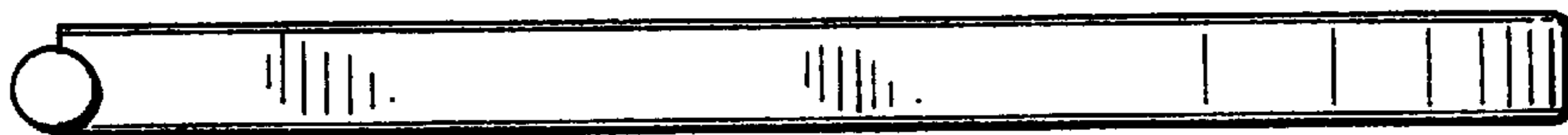
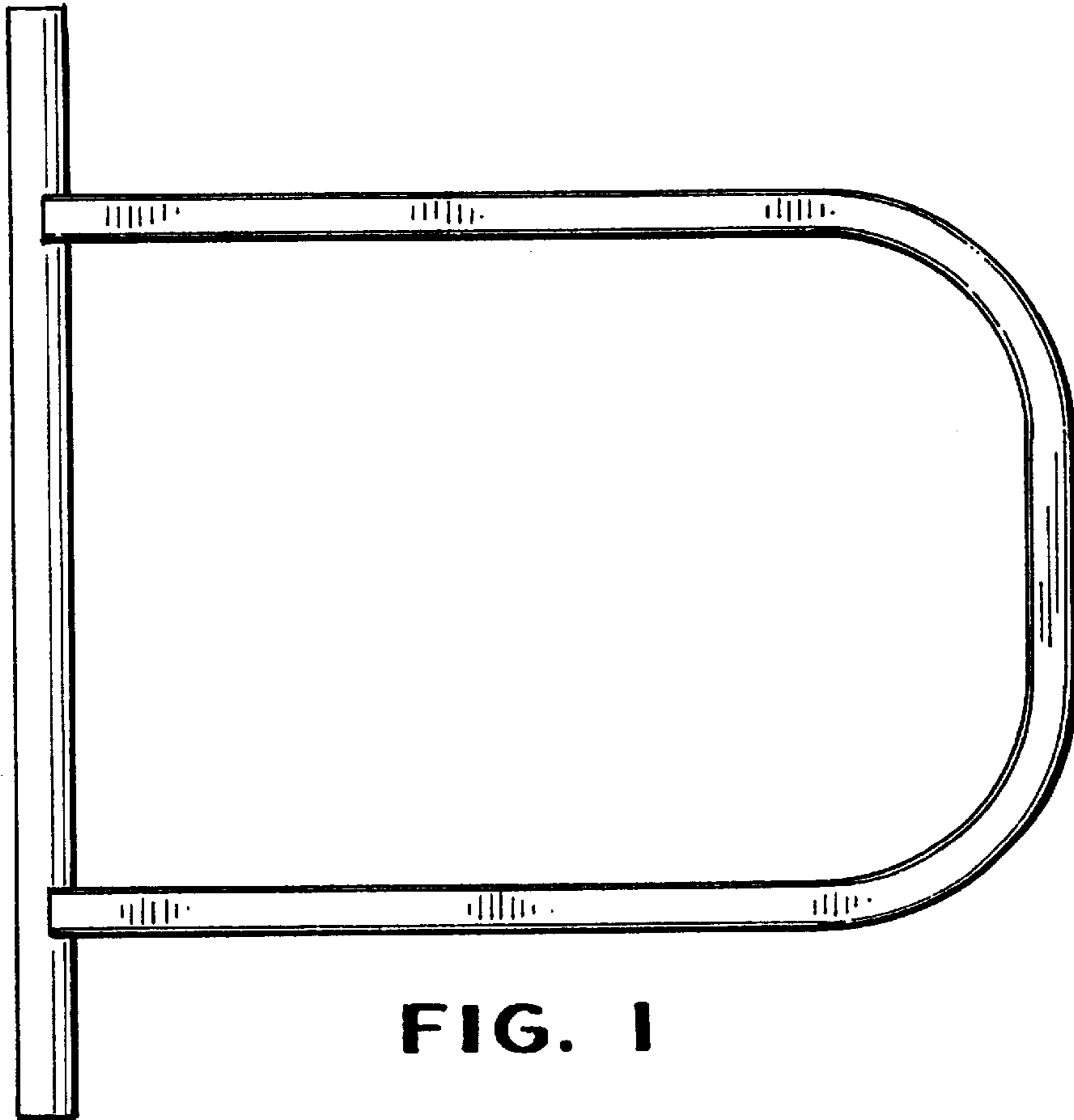
FIG. 11 is a left side elevational view of the pivotable support shown in FIG. 10 with the right side being a mirror image thereof;

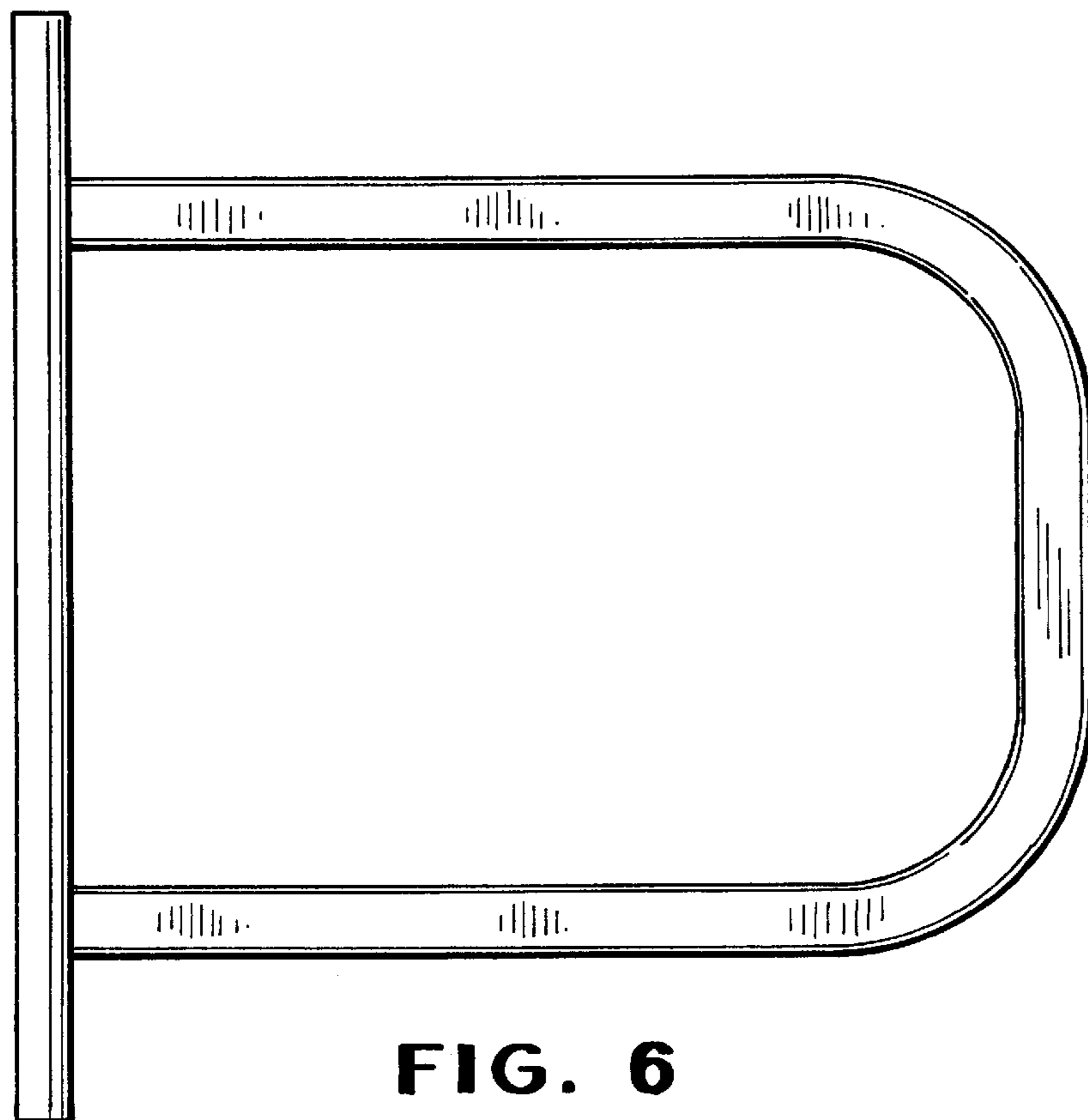
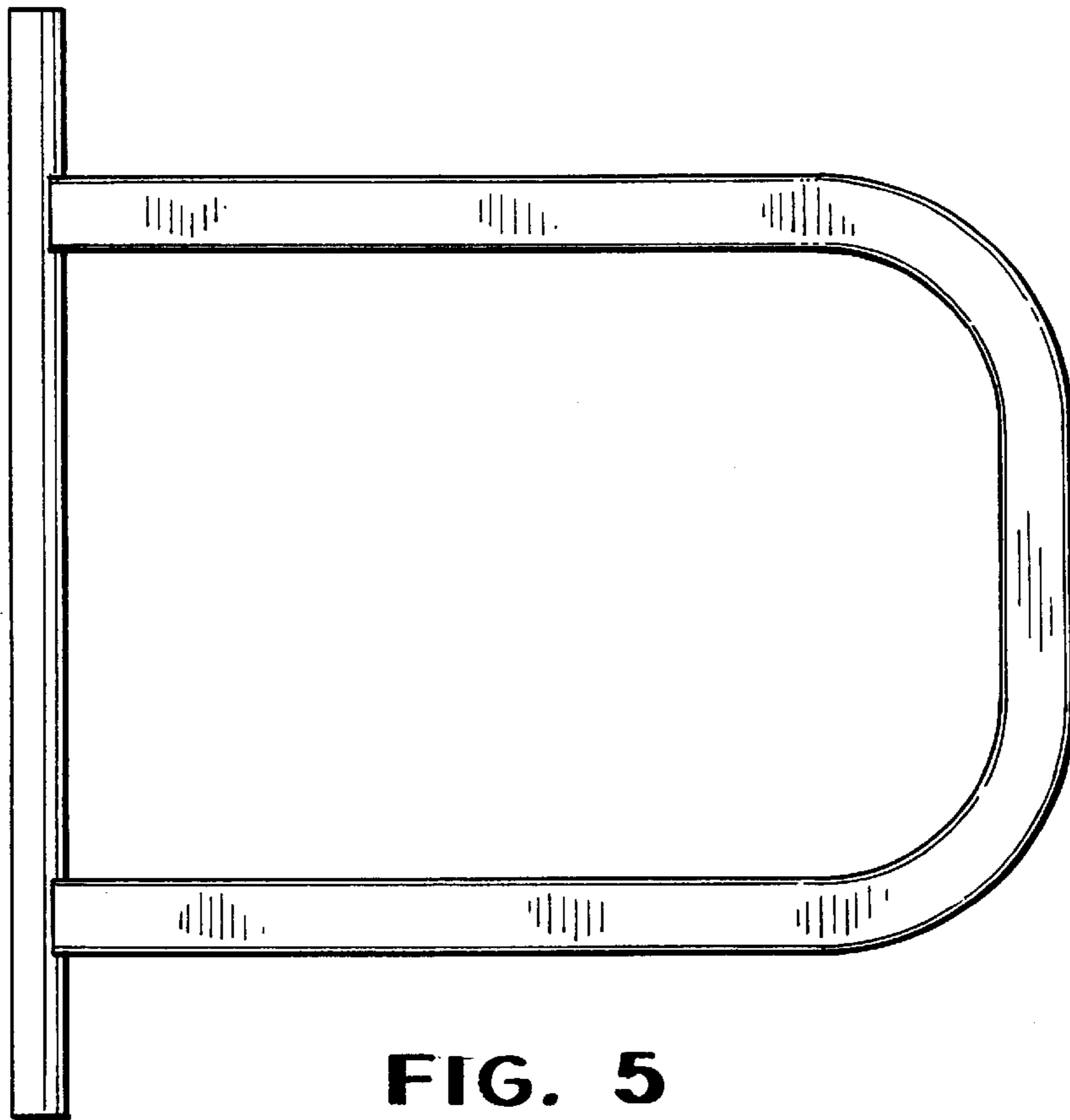
FIG. 12 is a front elevational view of the pivotable support shown in FIGS. 10 and 11; and,

FIG. 13 is a rear elevational view of the pivotable support shown in FIGS. 10 through 12.



1 Claim, 4 Drawing Sheets





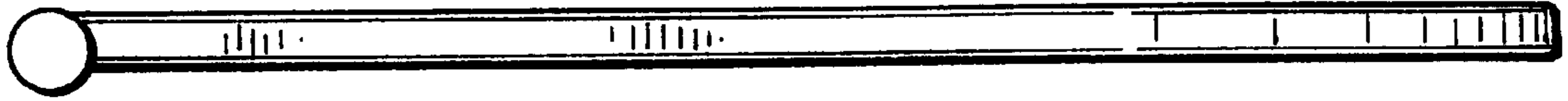


FIG. 7

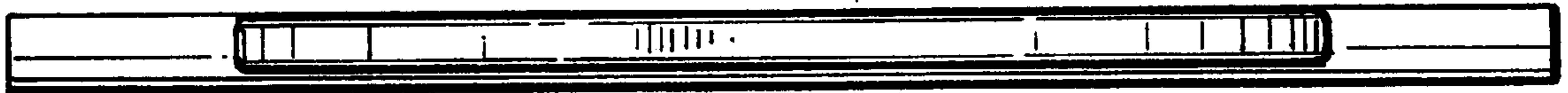


FIG. 8

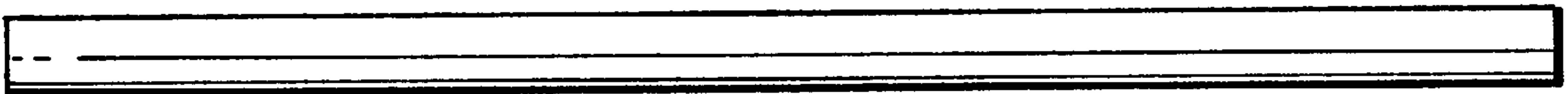


FIG. 9

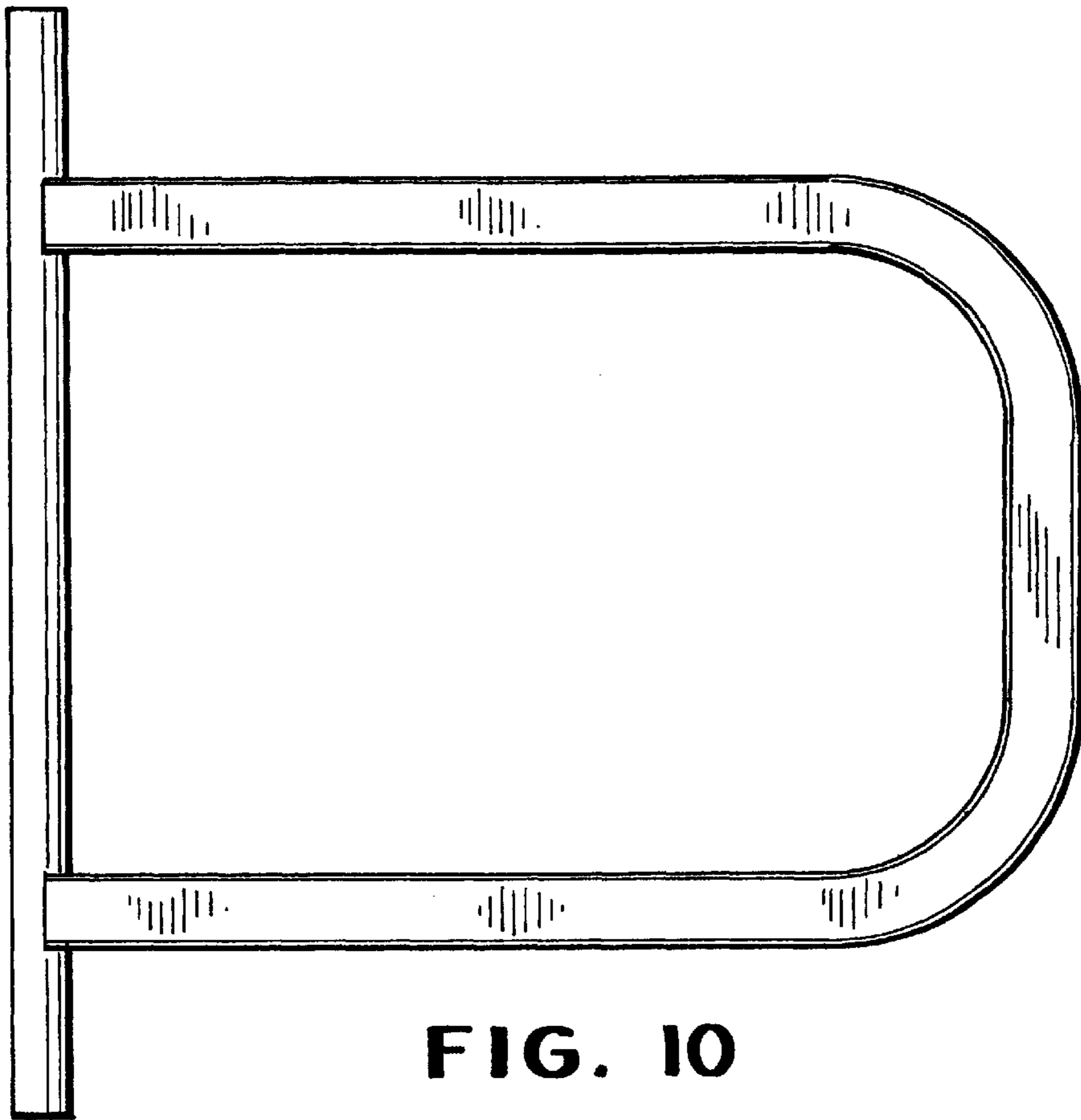


FIG. 10



FIG. 11



FIG. 12

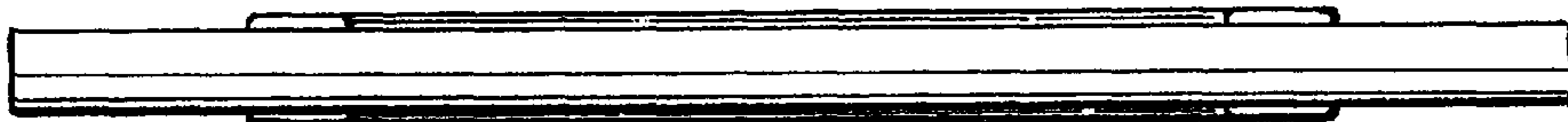


FIG. 13