



US00D445612S

(12) **United States Design Patent**
Swy

(10) **Patent No.:** **US D445,612 S**

(45) **Date of Patent:** **** Jul. 31, 2001**

(54) **LEG FOR A CHAIR**

(75) **Inventor:** **Philip P. Swy**, Temperance, MI (US)

(73) **Assignee:** **Michigan Tube Swagers & Fabricators, Inc.**, Temperance, MI (US)

(**) **Term:** **14 Years**

(21) **Appl. No.:** **29/123,843**

(22) **Filed:** **May 24, 2000**

(51) **LOC (7) Cl.** **06-06**

(52) **U.S. Cl.** **D6/495; D6/500**

(58) **Field of Search** D6/334, 335, 358,
D6/370, 375, 376, 379, 380, 500, 501,
502, 491, 495; 297/232, 239, 445.1, 446.1,
452.63, 452.64

(56) **References Cited**

U.S. PATENT DOCUMENTS

- D. 358,503 * 5/1995 Ginat D6/379
- D. 369,477 * 5/1996 Arthur, Jr. D6/379

- D. 404,929 * 2/1999 Frinier D6/376
- D. 434,242 * 11/2000 Swy et al. D6/380

* cited by examiner

Primary Examiner—Gary D. Watson

(74) *Attorney, Agent, or Firm*—Gifford, Krass, Groh, Sprinkle, Anderson & Citkowski, P.C.

(57) **CLAIM**

The ornamental design for a leg for a chair, as shown and described.

DESCRIPTION

FIG. 1 is a perspective view of a leg for a chair according to the present invention, with broken lines indicating portions of a chair which form no part of the claimed invention; FIG. 2 is a front elevational view of the leg of FIG. 1; FIG. 3 is a side elevational view of the leg of FIG. 1, it being understood that the other side view is a mirror image; FIG. 4 is a rear elevational view of the leg of FIG. 1; FIG. 5 is a top plan view of the leg of FIG. 1; and, FIG. 6 is a bottom plan view of the leg of FIG. 1.

1 Claim, 1 Drawing Sheet

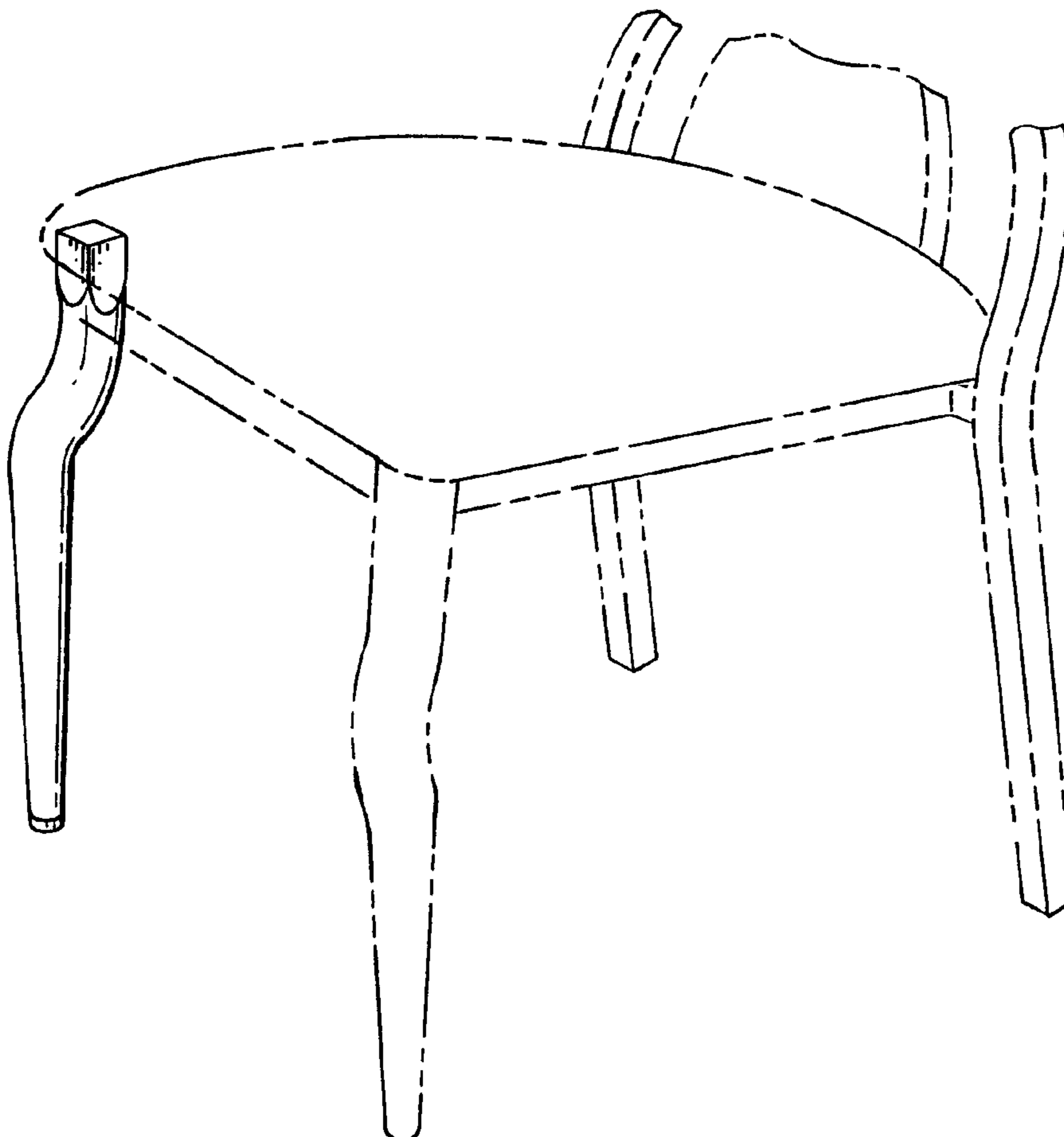


FIG-1

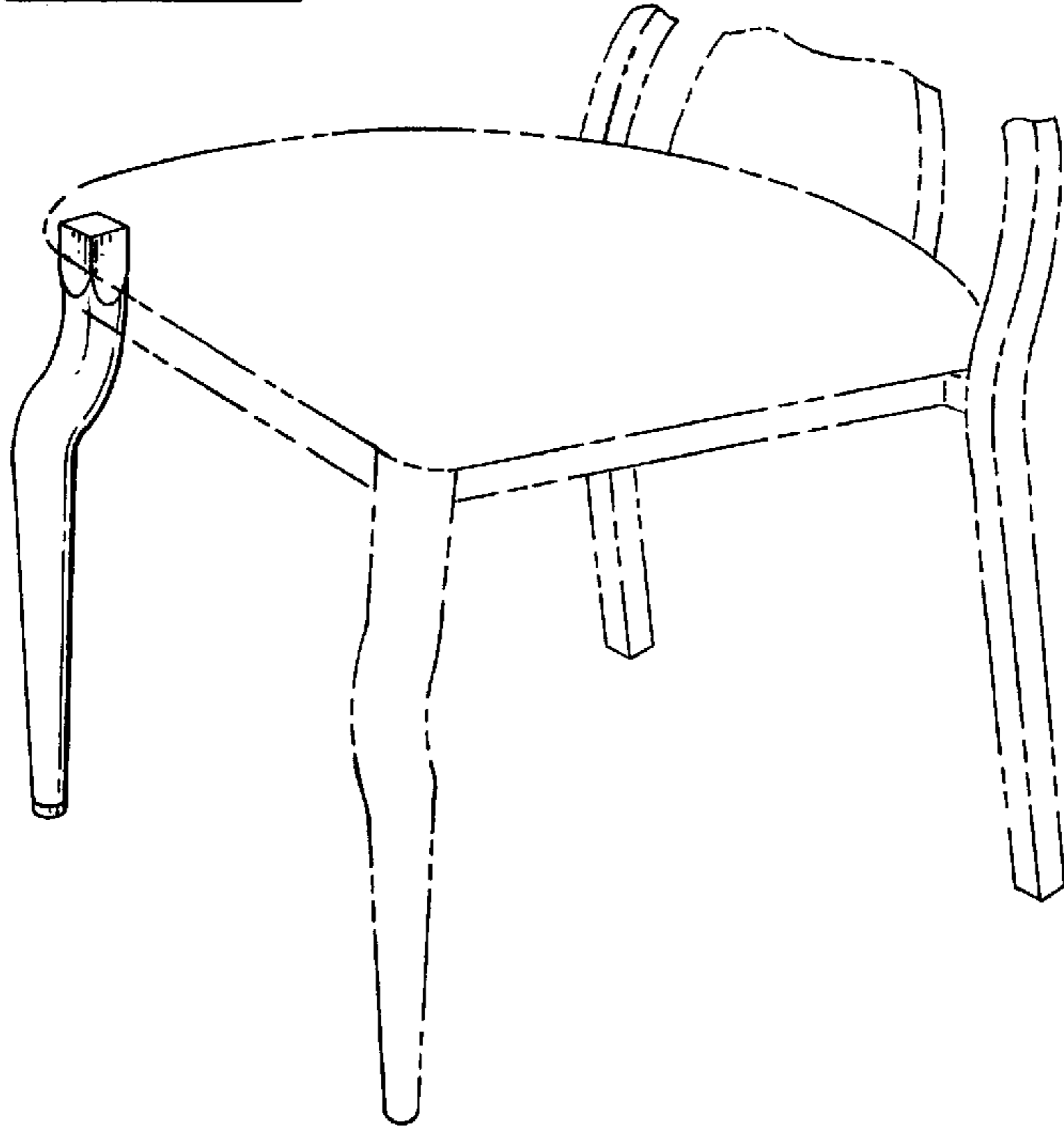


FIG-2



FIG-4

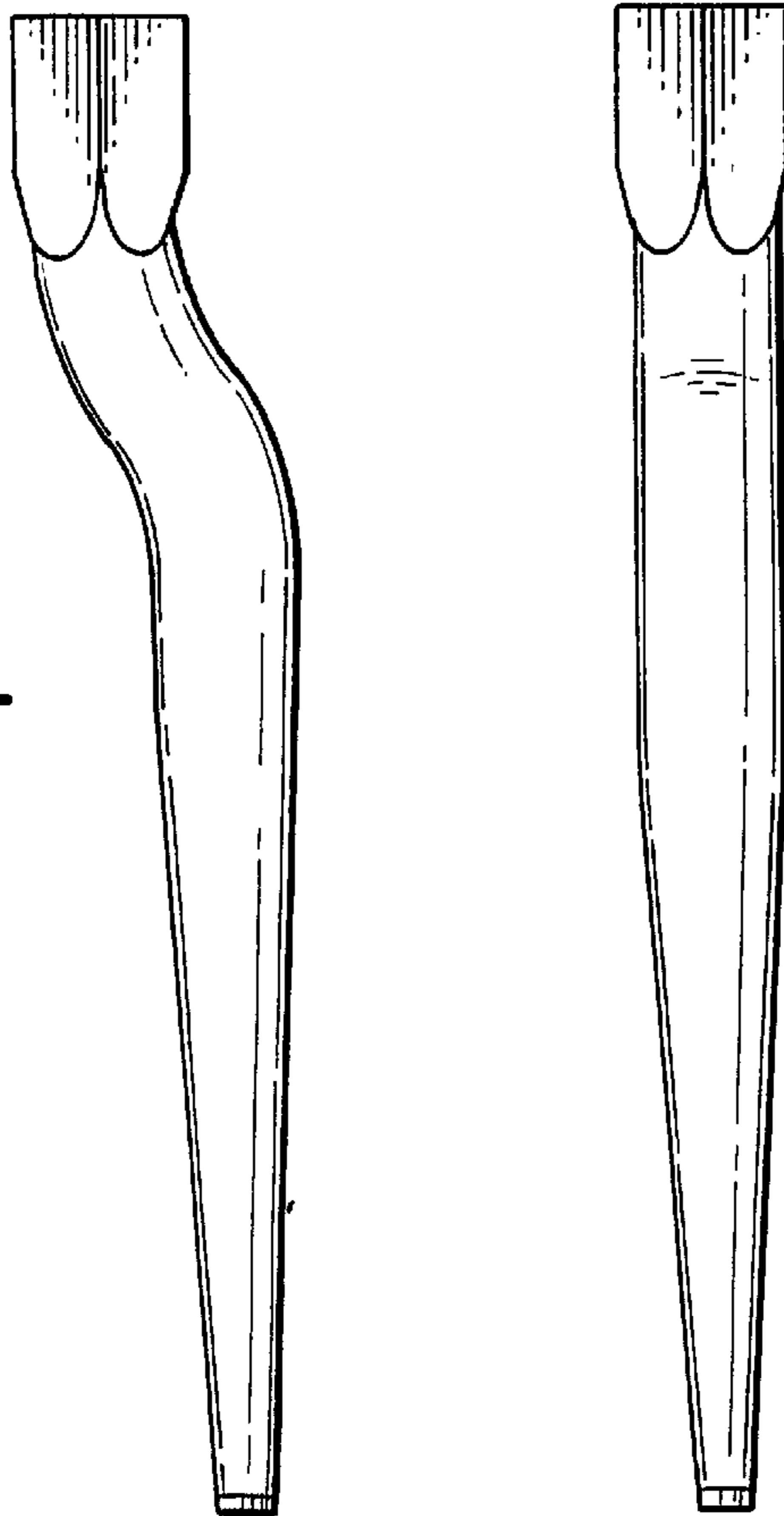


FIG-3



FIG-5

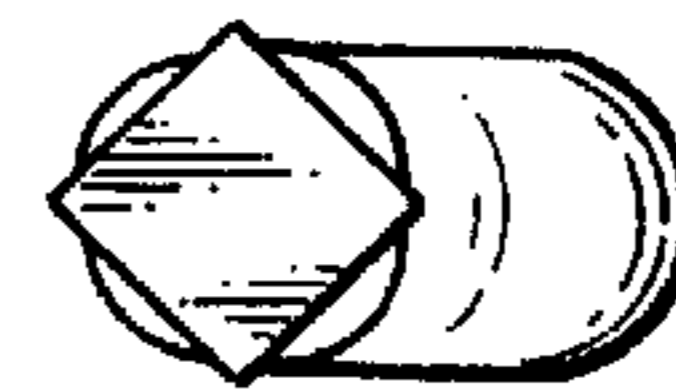


FIG-6

