



US00D445602S

(12) **United States Design Patent**
Tonon

(10) **Patent No.:** **US D445,602 S**

(45) **Date of Patent:** **** Jul. 31, 2001**

(54) **DISPLAY MODULE**

(76) **Inventor:** **Wallace Ricardo Tonon**, 694/301
Bairro Ouro Preto em Belo Horizonte,
Minas Gerais (BR)

(**) **Term:** **14 Years**

(21) **Appl. No.:** **29/097,170**

(22) **Filed:** **Dec. 1, 1998**

(51) **LOC (7) Cl.** **06-04**

(52) **U.S. Cl.** **D6/478**

(58) **Field of Search** D6/332, 396, 397,
D6/409, 414, 436, 437, 449, 461, 474,
477-479; 211/13.1, 40, 42, 49.1, 50, 59.4,
162; 312/9.1, 107, 114, 238, 283, 286

(56) **References Cited**

U.S. PATENT DOCUMENTS

D. 265,024 * 6/1982 Johnson et al. D6/461
D. 278,954 * 5/1985 Bolyn D6/454 X

D. 384,832 * 10/1997 Senturia et al. D6/397
D. 393,963 * 5/1998 Mansour D6/437 X
5,105,952 * 4/1992 Krattiger 211/40
5,297,685 * 3/1994 Ramey 211/59.4
5,341,944 * 8/1994 Latino 211/162

* cited by examiner

Primary Examiner—Cathron C. Brooks

(74) *Attorney, Agent, or Firm*—Darby & Darby

(57) **CLAIM**

The ornamental design for a display module, as shown and described.

DESCRIPTION

FIG. 1 is a perspective view of the display module;
FIG. 2 is a front elevation view of the display module;
FIG. 3 is an elevation view of the display module from the
right (which is the mirror image from the left); and,
FIG. 4 is a top plan view of the display module.

1 Claim, 2 Drawing Sheets

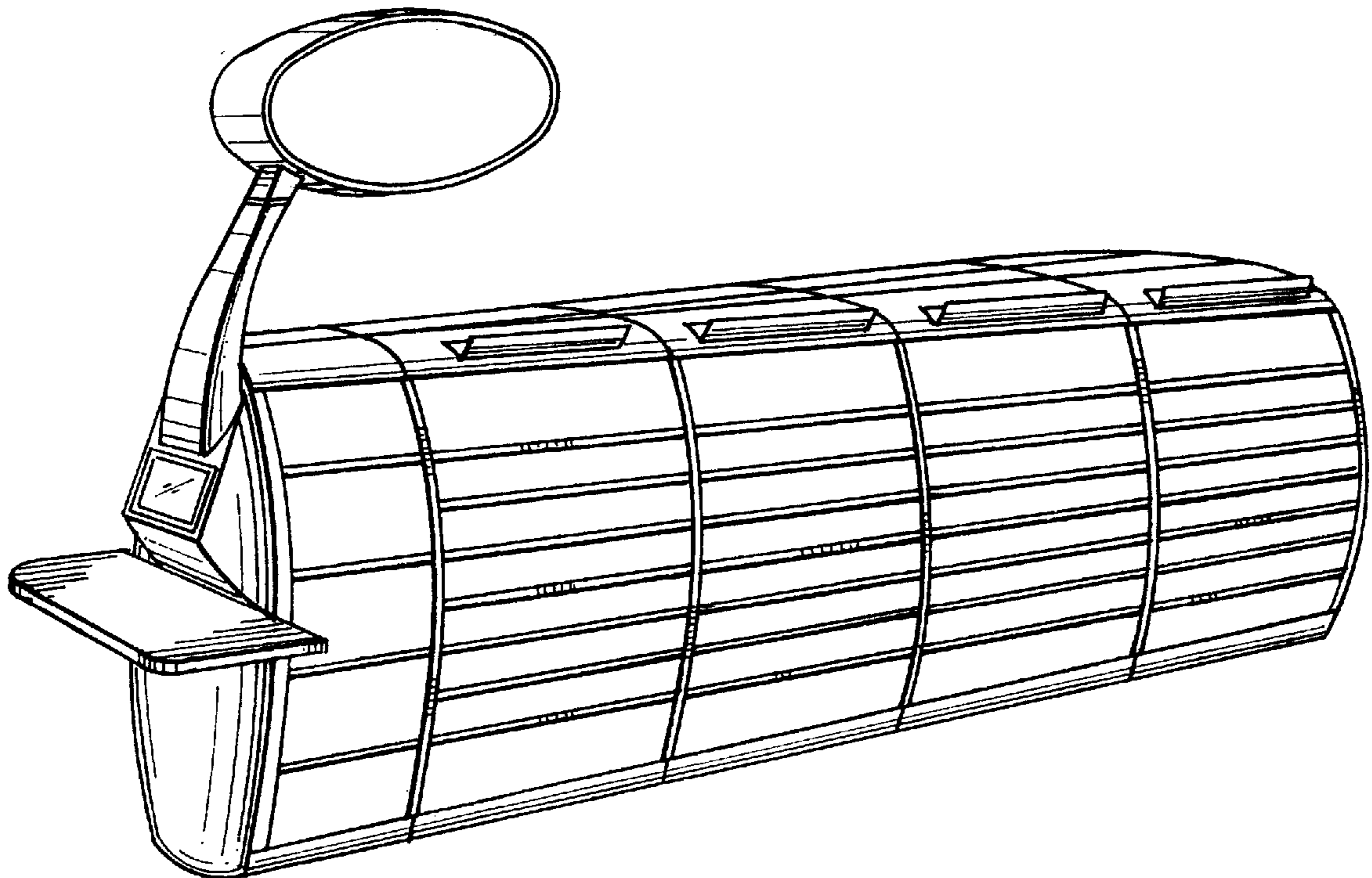


FIG. 1

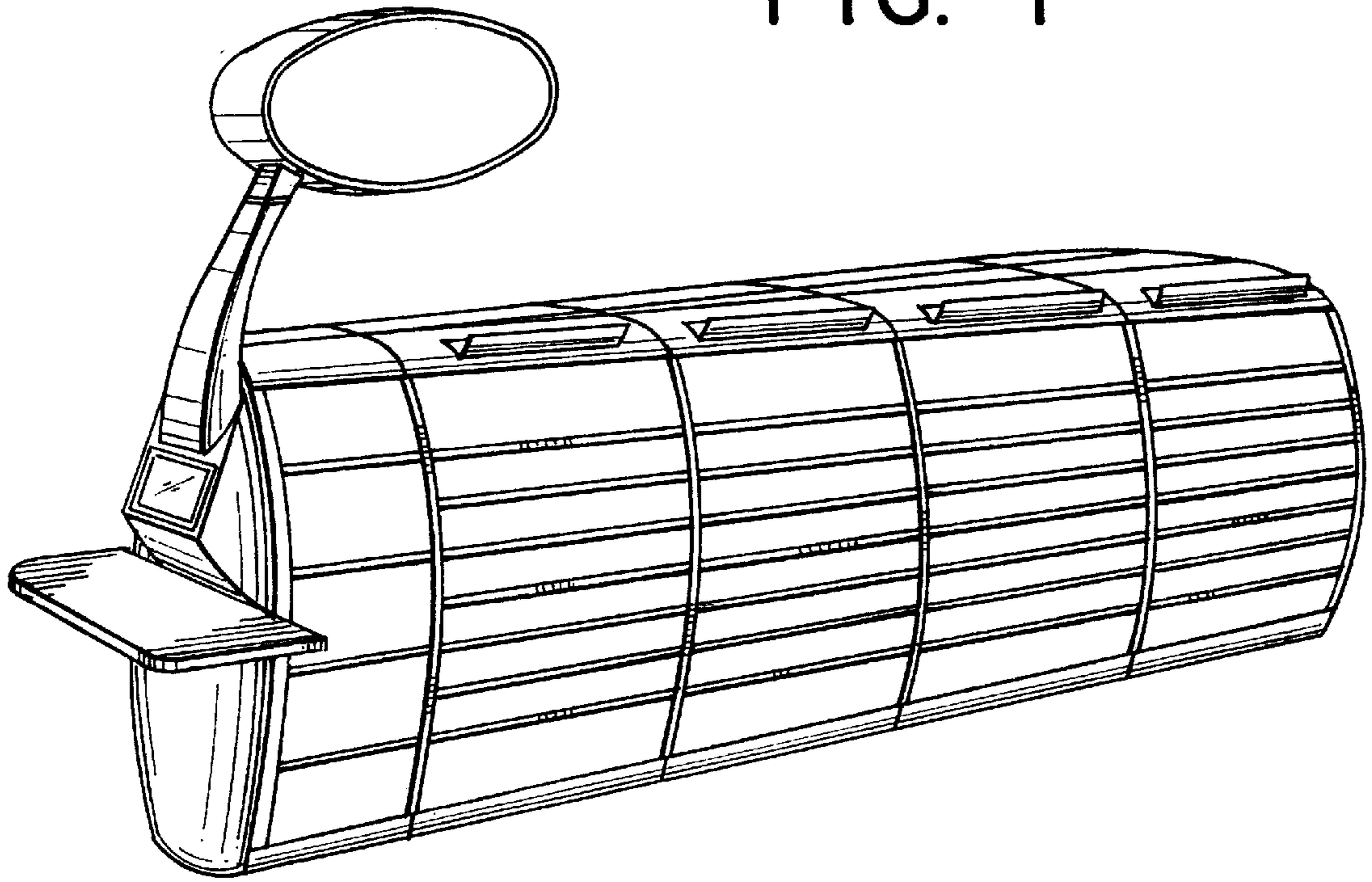
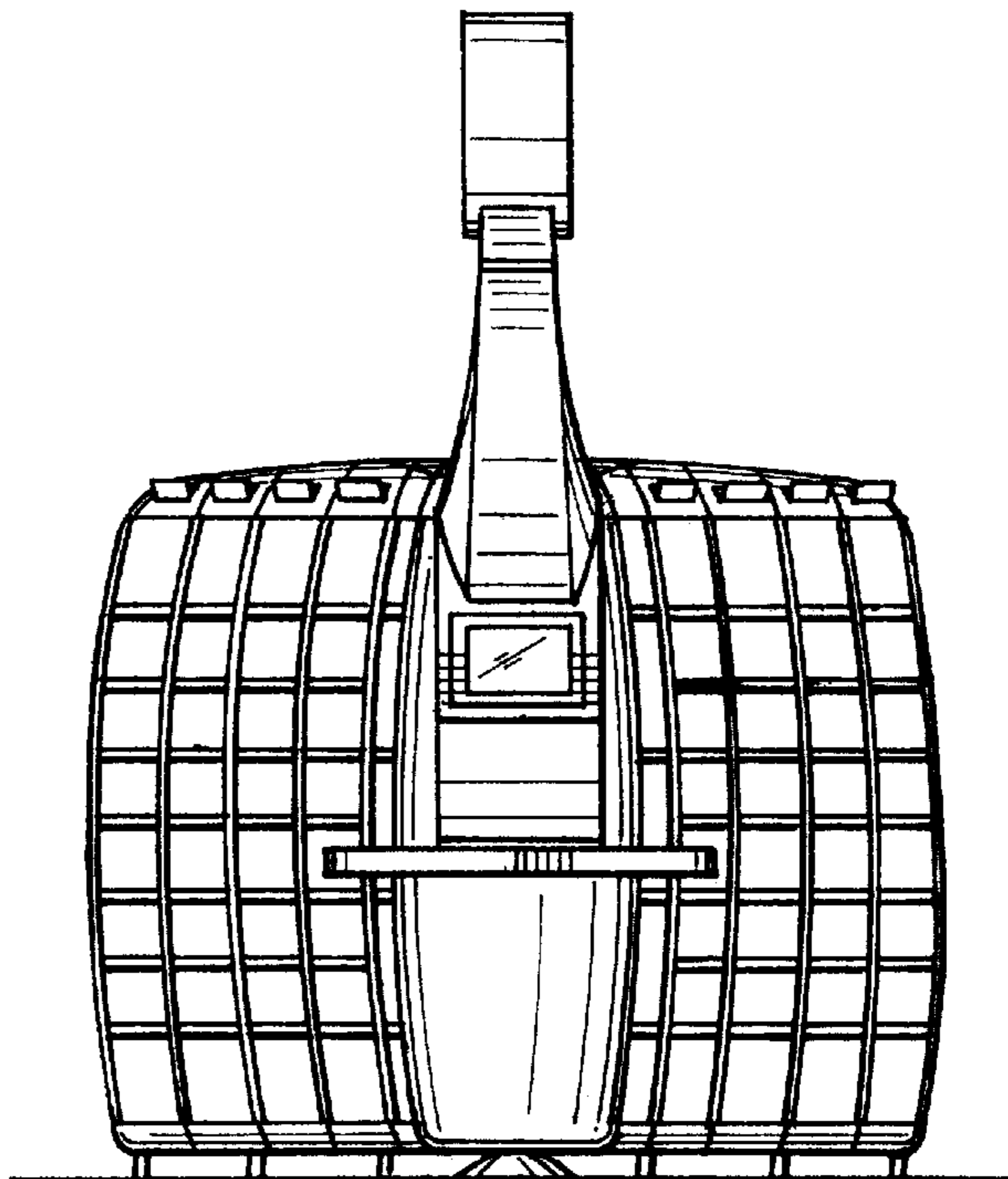


FIG. 2



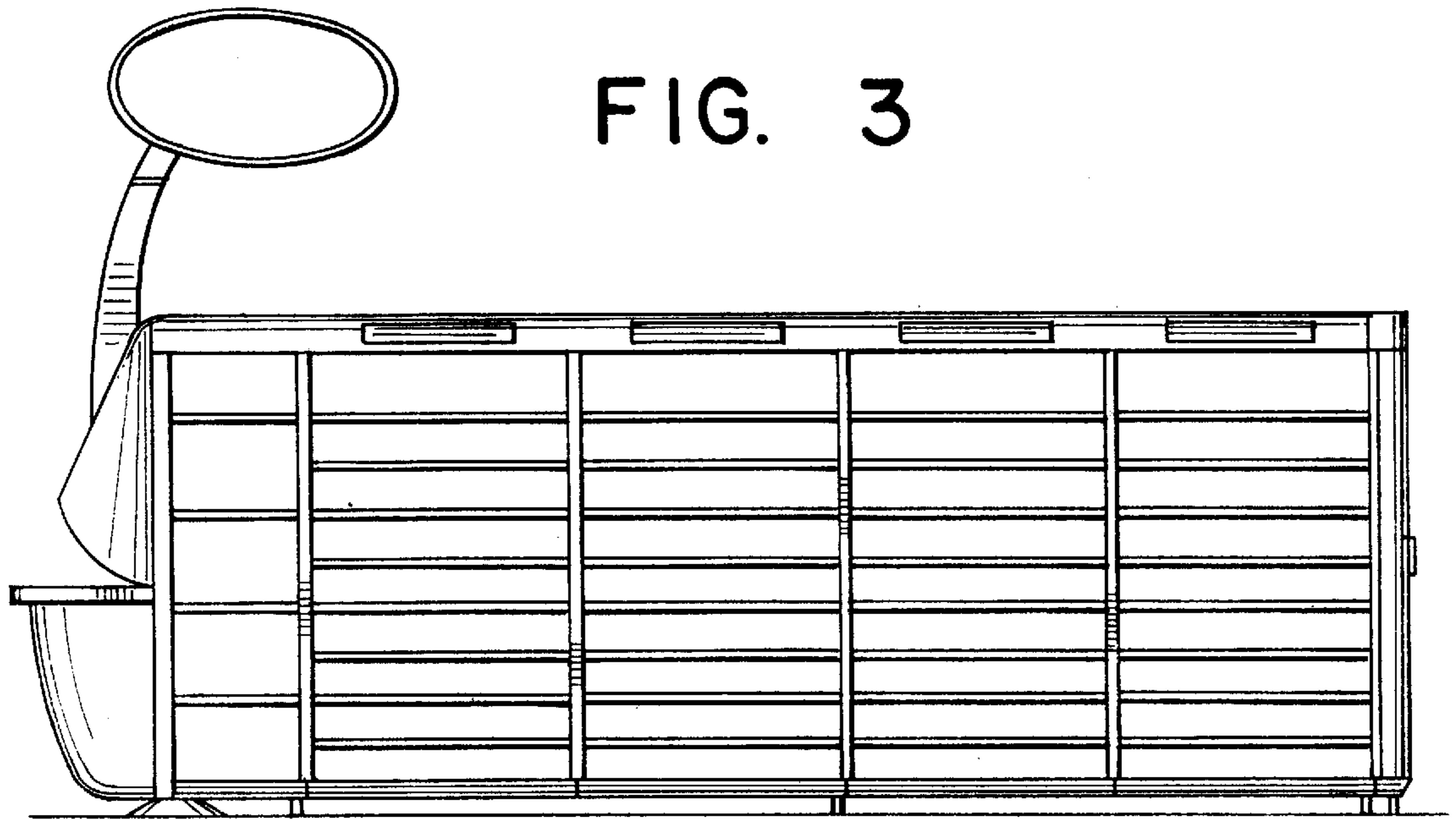
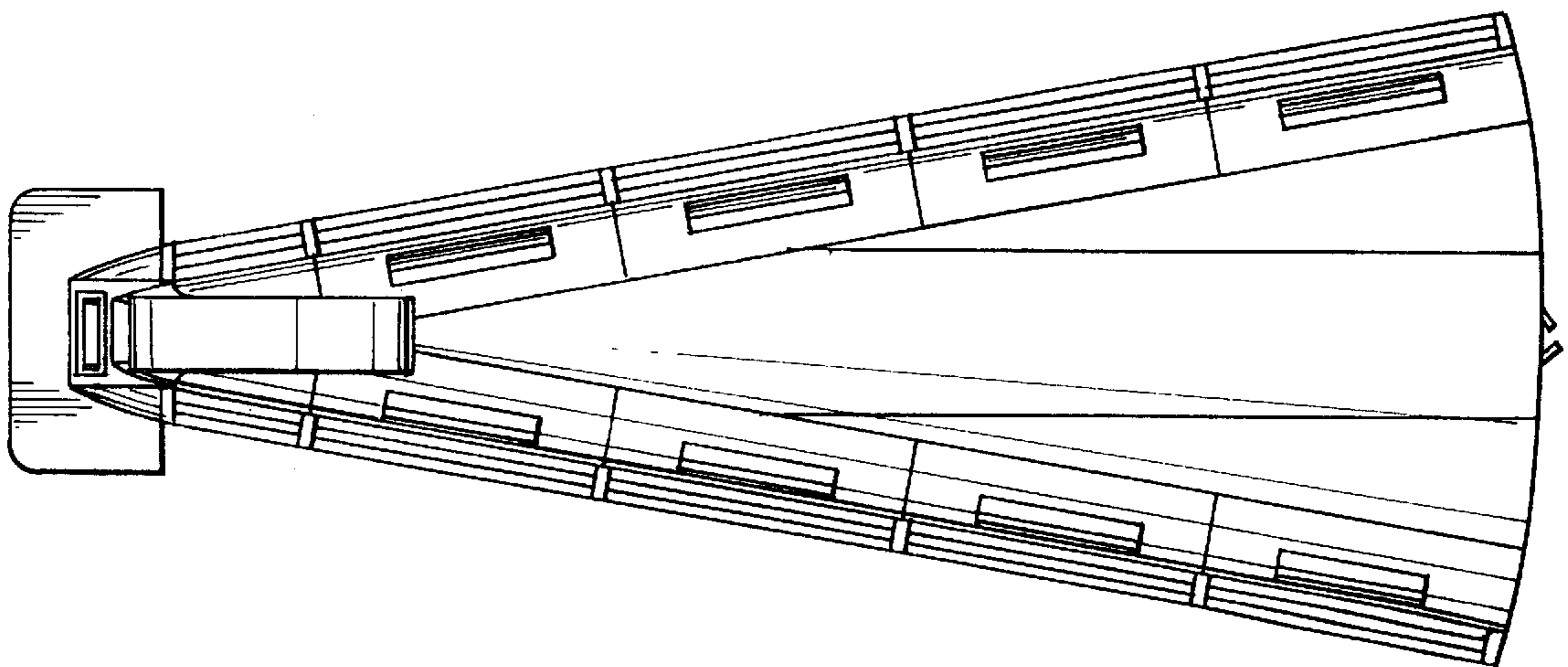


FIG. 4



UNITED STATES PATENT AND TRADEMARK OFFICE
CERTIFICATE OF CORRECTION

PATENT NO. : Des 445,602 S
DATED : July 31, 2001
INVENTOR(S) : Wallace Ricardo Tonon

Page 1 of 1

It is certified that error appears in the above-identified patent and that said Letters Patent is hereby corrected as shown below:

Title page,
Item [30], please add:

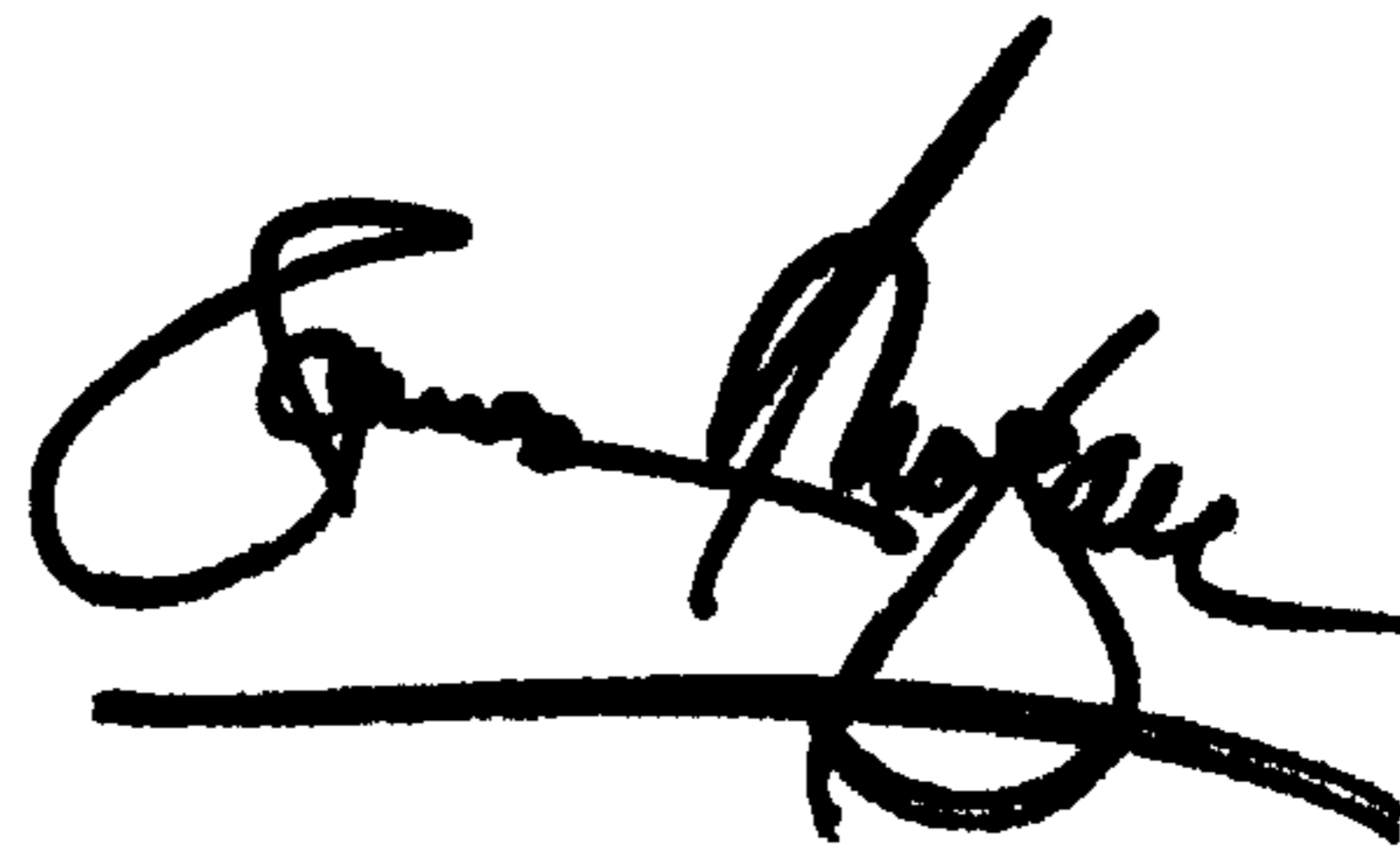
-- **Foreign Application Priority Data**

June 1, 1998 Brazil.....DI5801008-4 --

Signed and Sealed this

Twentieth Day of August, 2002

Attest:



Attesting Officer

JAMES E. ROGAN
Director of the United States Patent and Trademark Office