



US00D445599S

(12) **United States Design Patent**  
**Bradbury**

(10) **Patent No.:** **US D445,599 S**

(45) **Date of Patent:** **\*\* Jul. 31, 2001**

(54) **ARTICLE FOR USE IN A DISPLAY ASSEMBLY**

D. 339,700 \* 9/1993 Ossip ..... D6/474  
3,998,335 \* 12/1976 Rodolpho ..... 211/59.2  
4,146,201 \* 3/1979 Sinenci ..... 211/1 X

(75) Inventor: **Michael Bradbury**, Matlock (GB)

**OTHER PUBLICATIONS**

(73) Assignee: **Stone Circle Limited**, Derbyshire (GB)

Superior Specialties, Inc. brochure, p. 3: "Contour" Circles, Oct. 1977.\*

(\*\*) Term: **14 Years**

\* cited by examiner

(21) Appl. No.: **29/114,941**

*Primary Examiner*—Philip S. Hyder

(22) Filed: **Dec. 2, 1999**

*Assistant Examiner*—C. Tuttle

(30) **Foreign Application Priority Data**

(74) *Attorney, Agent, or Firm*—Smith-Hill and Bedell

Jun. 2, 1999 (GB) ..... 2083835

(57) **CLAIM**

(51) **LOC (7) Cl.** ..... **06-04**

The ornamental design for an article for use in a display assembly, as shown and described.

(52) **U.S. Cl.** ..... **D6/462; D6/553**

**DESCRIPTION**

(58) **Field of Search** ..... D6/396, 397, 403, D6/405, 449, 456, 458, 462-469, 480, 484, 485, 487, 488, 490, 491, 499, 509, 511, 512, 524, 527, 546, 547, 569-572, 574, 474, 477-479; 211/13.1, 32, 86.01, 87.01, 88.01, 90.01, 90.03, 90.04, 106, 134, 188, 194, 181.1; 108/48, 59, 91, 180, 181, 157.1, 157.2, 183

FIG. 1 is a front elevation of an article showing my new design in an assembled condition.

FIG. 2 is a reduced scale front perspective view thereof in the assembled condition.

FIG. 3 is a front perspective view thereof in a disassembled condition; and,

FIG. 4 is a reduced scale front elevation thereof and environmental structure.

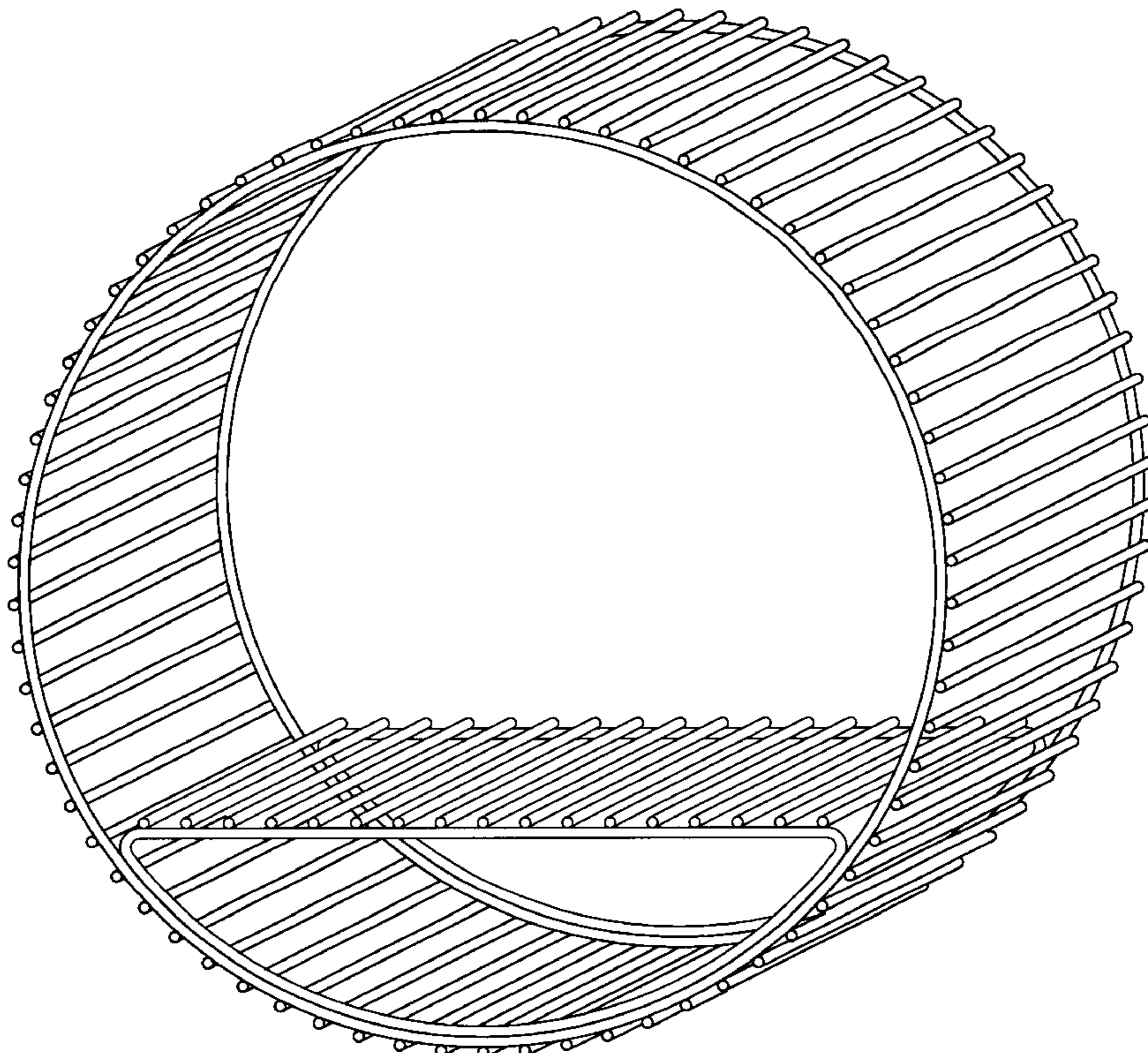
The broken lines showing the intended environment of the design are for illustrative purposes only and form no part of the claimed design.

(56) **References Cited**

**U.S. PATENT DOCUMENTS**

D. 138,820 \* 9/1944 Larson ..... D6/449  
D. 179,576 \* 1/1957 Lane ..... D6/404  
D. 292,053 \* 9/1987 Spurling et al. .... D6/514

**1 Claim, 4 Drawing Sheets**



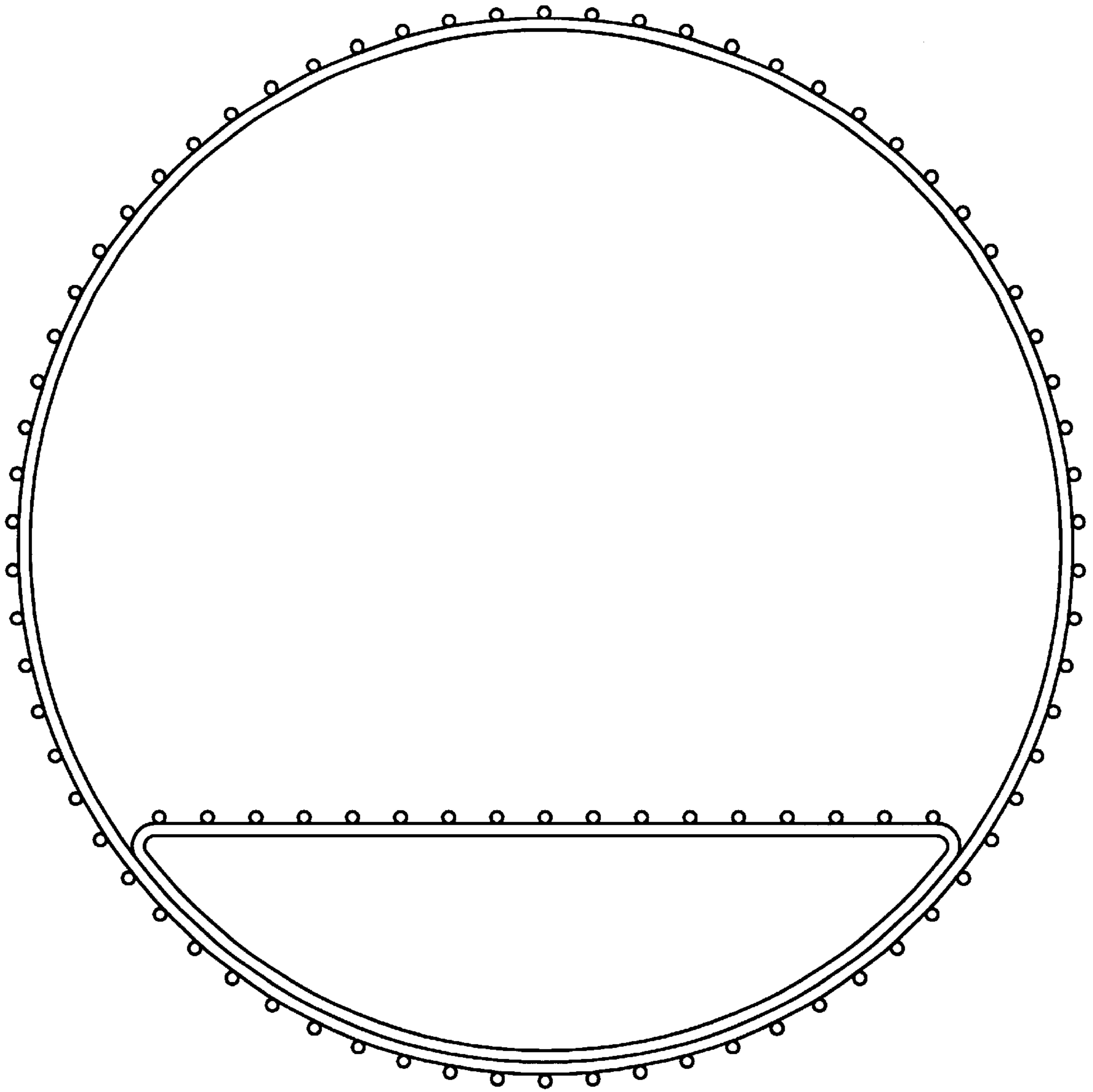


FIG.1

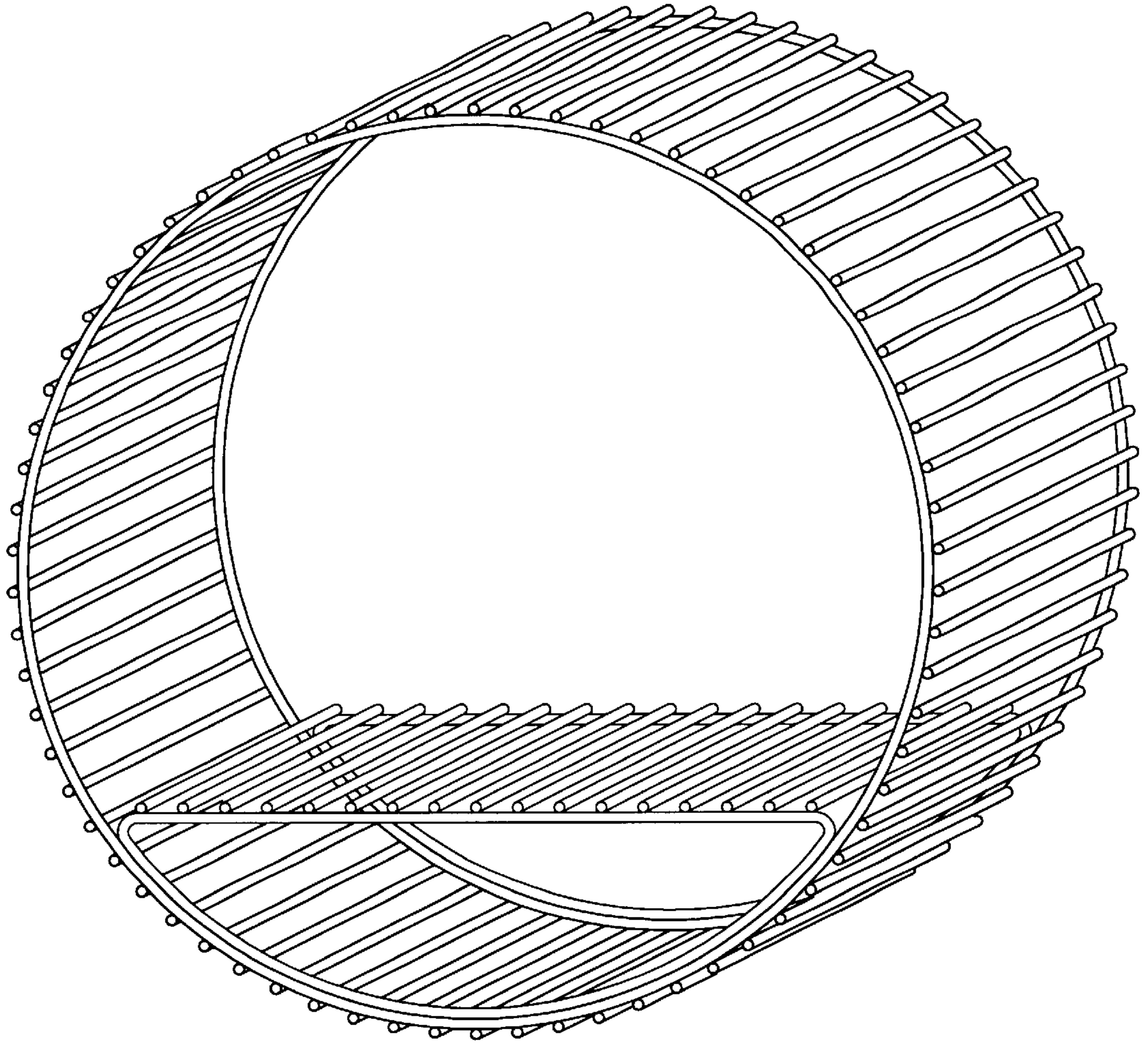


FIG. 2

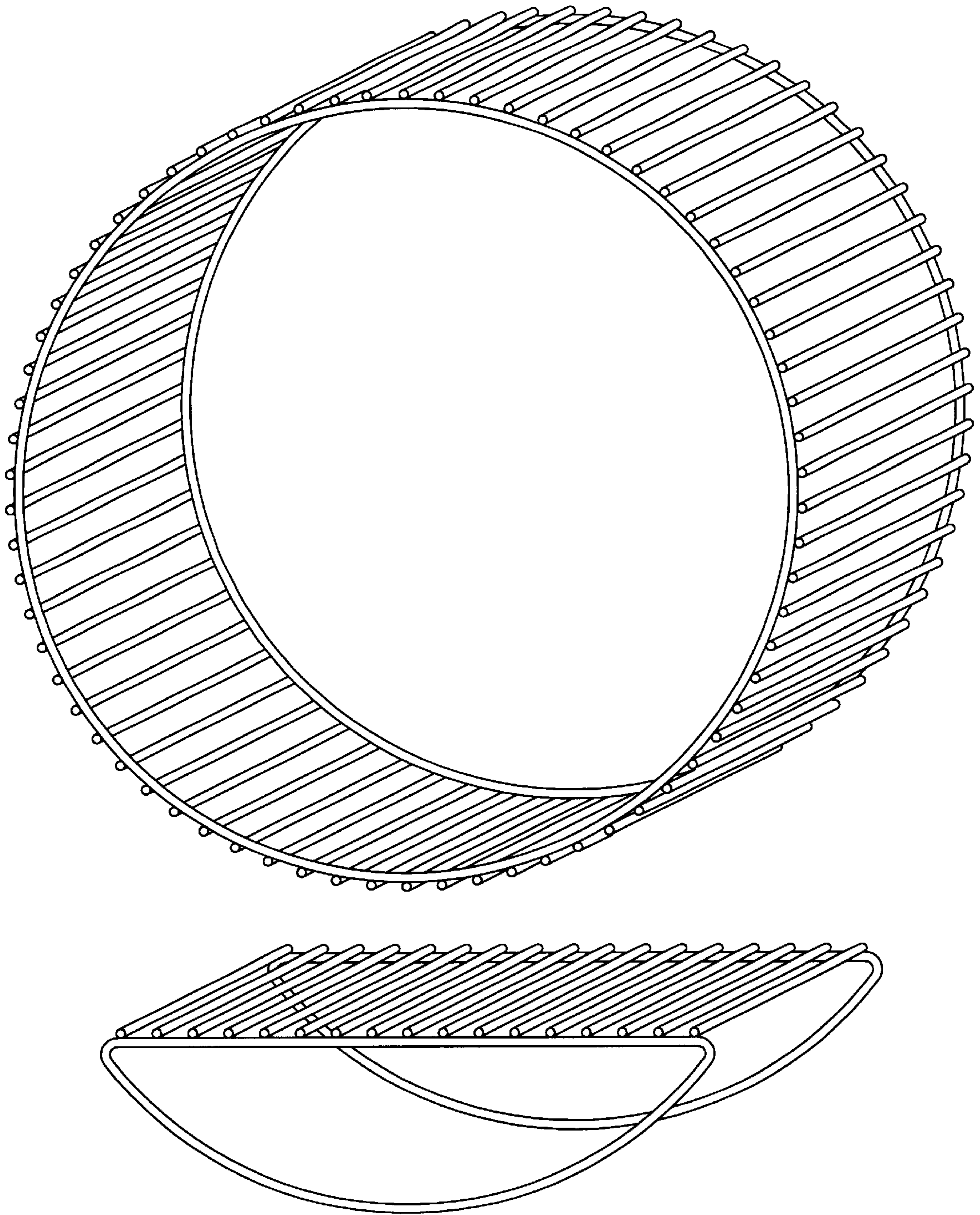


FIG.3

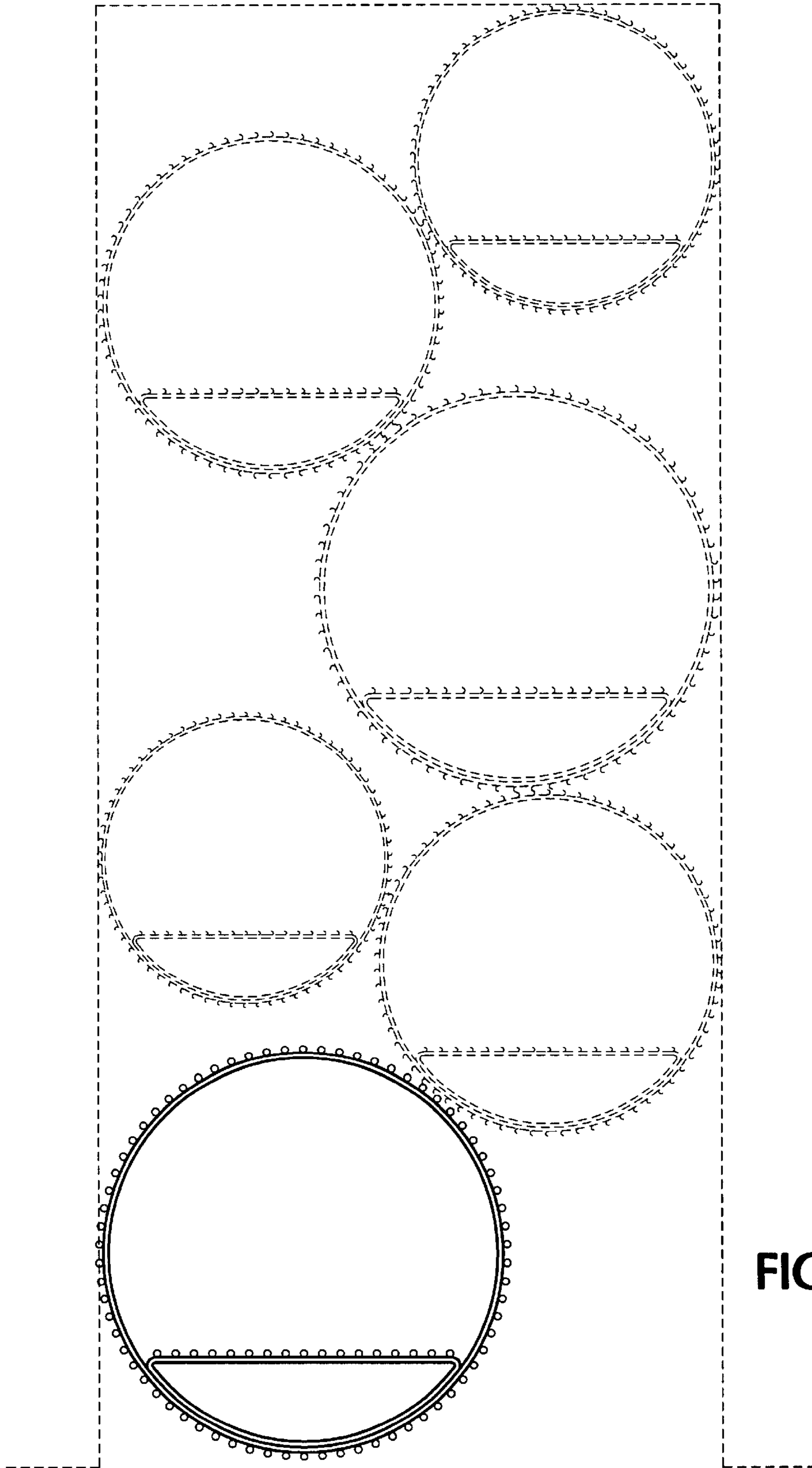


FIG.4