



US00D445591S

(12) **United States Design Patent**
Zorzetto

(10) **Patent No.:** **US D445,591 S**

(45) **Date of Patent:** **** Jul. 31, 2001**

(54) **CRIB**

(76) **Inventor:** **Giuseppe Zorzetto**, Via Turati, 5,
Caneva (PN) (IT)

(**) **Term:** **14 Years**

(21) **Appl. No.:** **29/130,728**

(22) **Filed:** **Oct. 10, 2000**

(30) **Foreign Application Priority Data**

Apr. 7, 2000 (IT) UD0000021

(51) **LOC (7) Cl.** **06-01**

(52) **U.S. Cl.** **D6/390**

(58) **Field of Search** D6/382, 390-395,
D6/505-508; 5/53.1, 907, 279.1, 280, 281,
93.1, 99.1, 100

(56) **References Cited**

U.S. PATENT DOCUMENTS

D. 269,742 * 7/1983 Brunner et al. D6/391

D. 401,433 * 11/1998 Tabbia D6/390
2,650,371 * 9/1953 Showalder 5/93.1
4,706,312 * 11/1987 Shamie 5/93.1

* cited by examiner

Primary Examiner—Janice E. Seeger

(74) *Attorney, Agent, or Firm*—Antonelli, Terry, Stout &
Kraus, LLP

(57) **CLAIM**

The ornamental design for a crib, as shown.

DESCRIPTION

FIG. 1 is a front view of a crib according to the present invention;

FIG. 2 is a front, right perspective view of a crib;

FIG. 3 is a left, rear perspective view of the crib;

FIG. 4 is a left side view of the crib;

FIG. 5 is a right side view of the crib; and,

FIG. 6 is a top plan view of the crib.

1 Claim, 6 Drawing Sheets

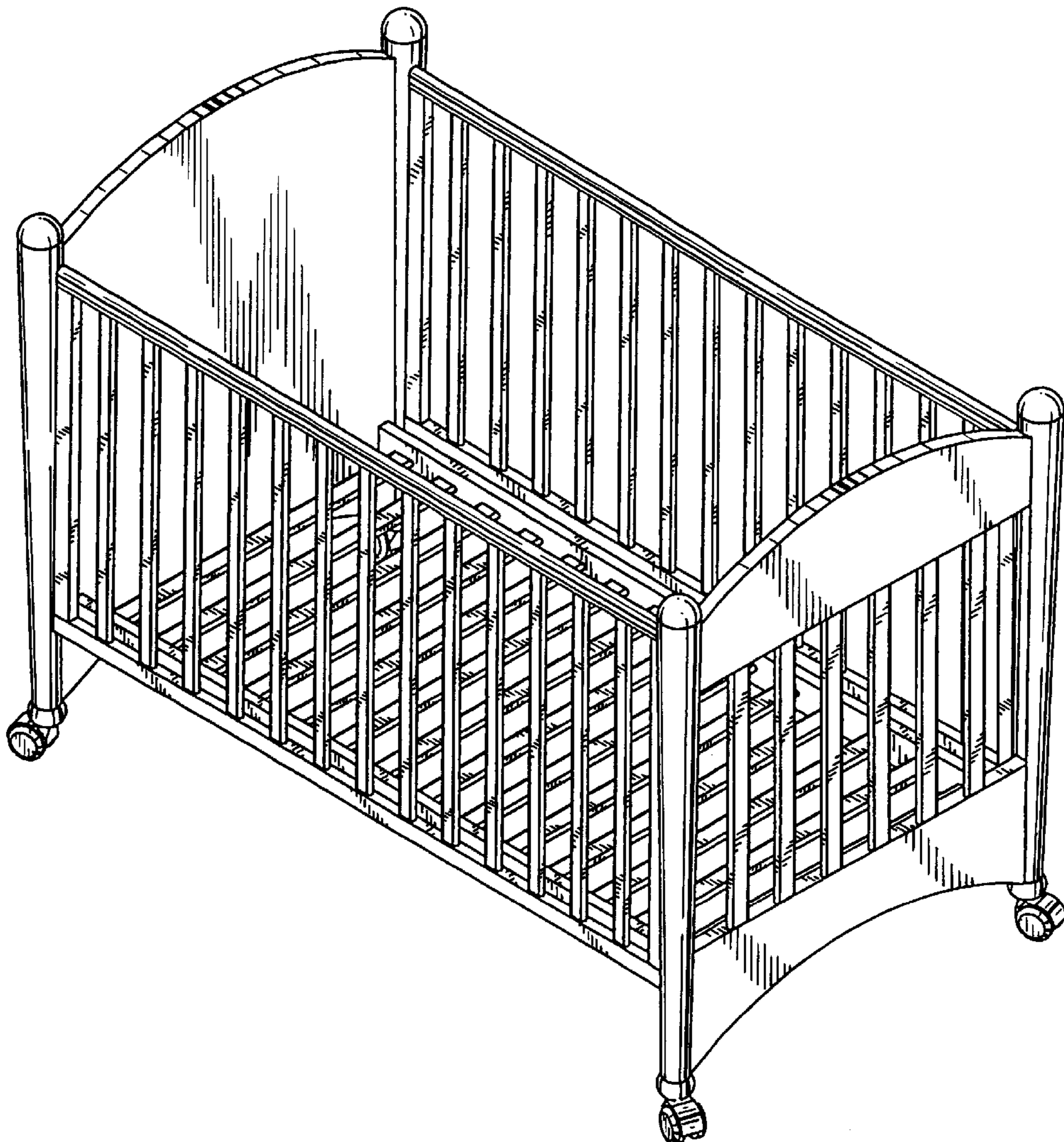


FIG. 1

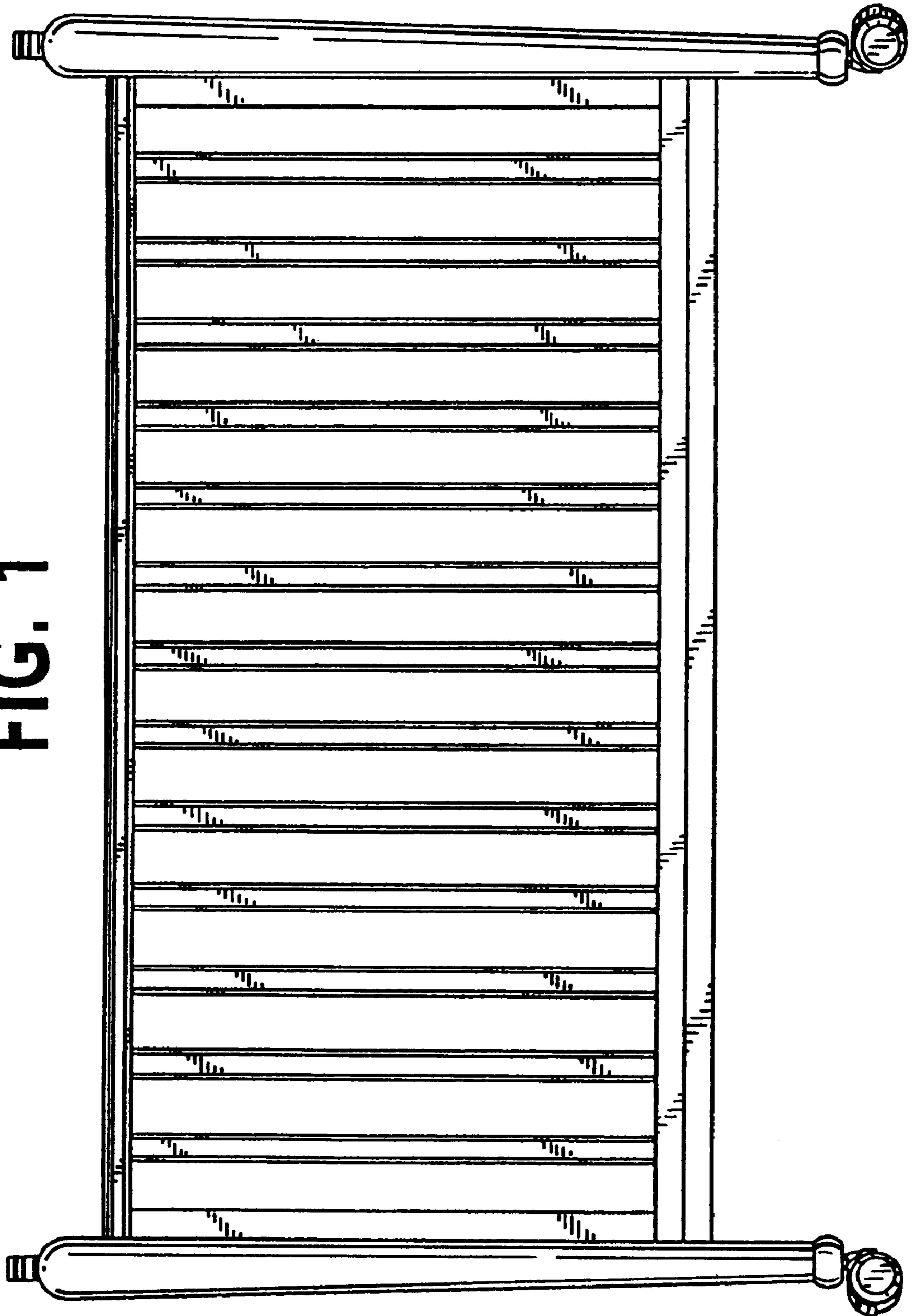
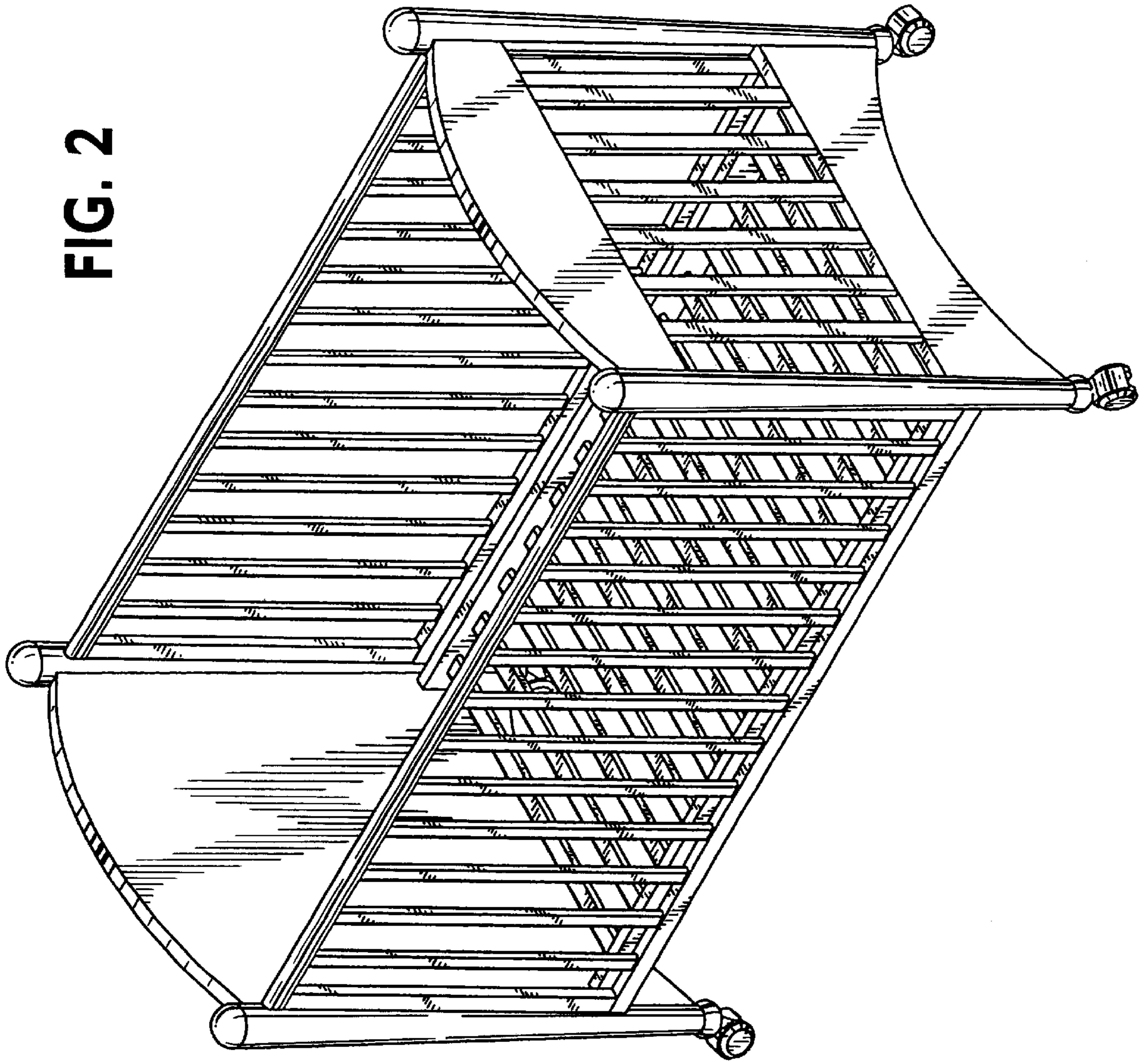


FIG. 2



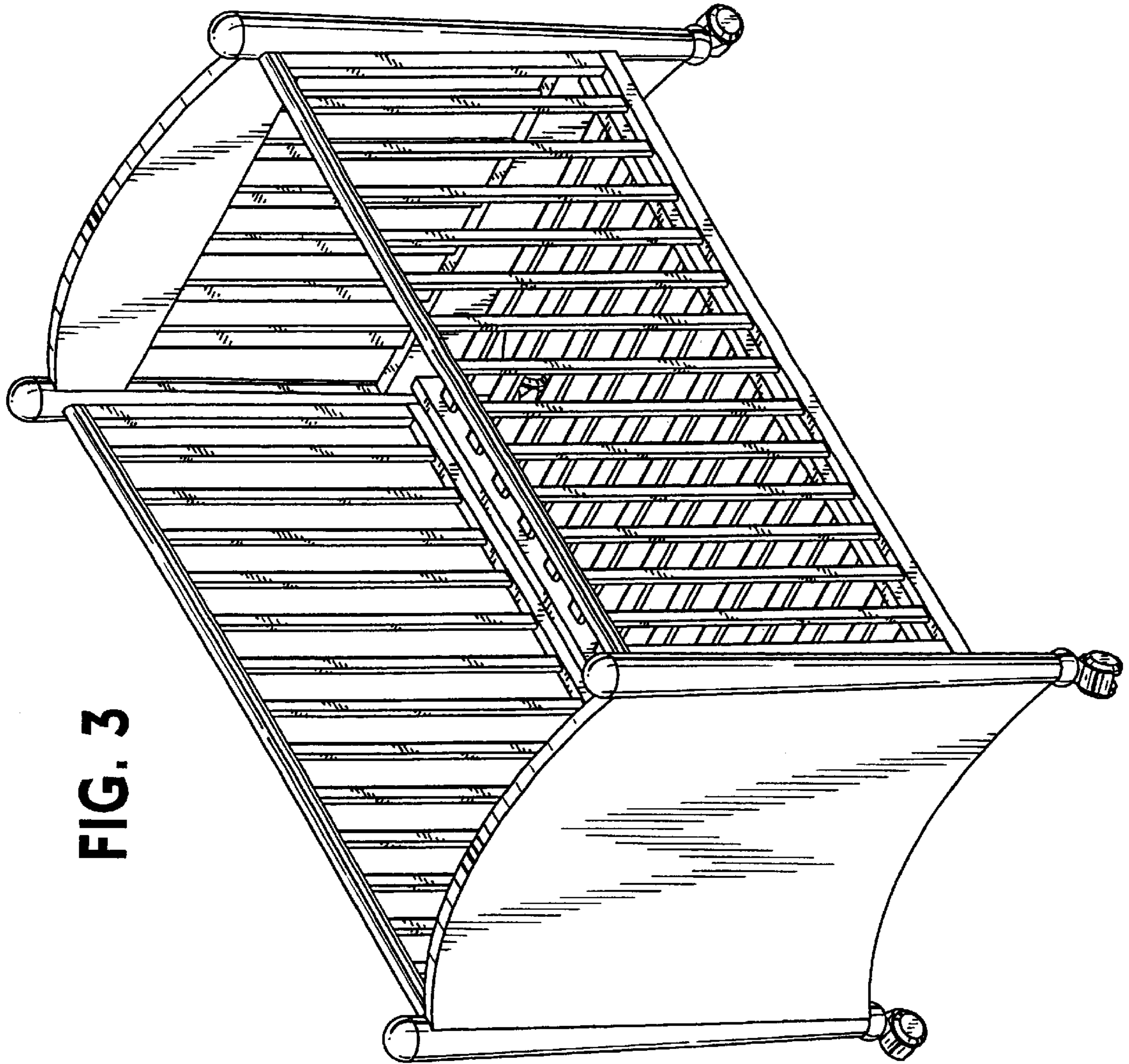


FIG. 3

FIG. 4

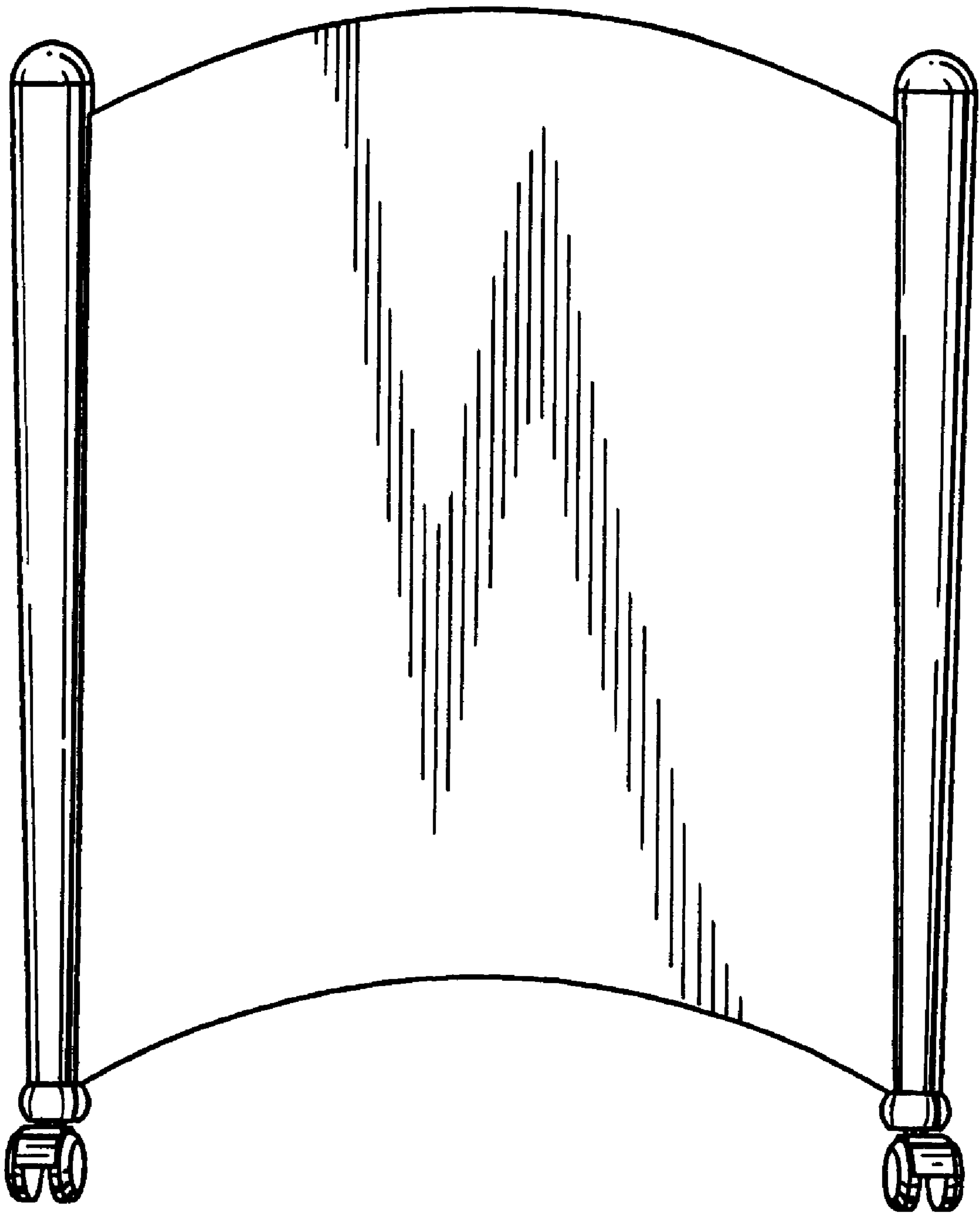


FIG. 5

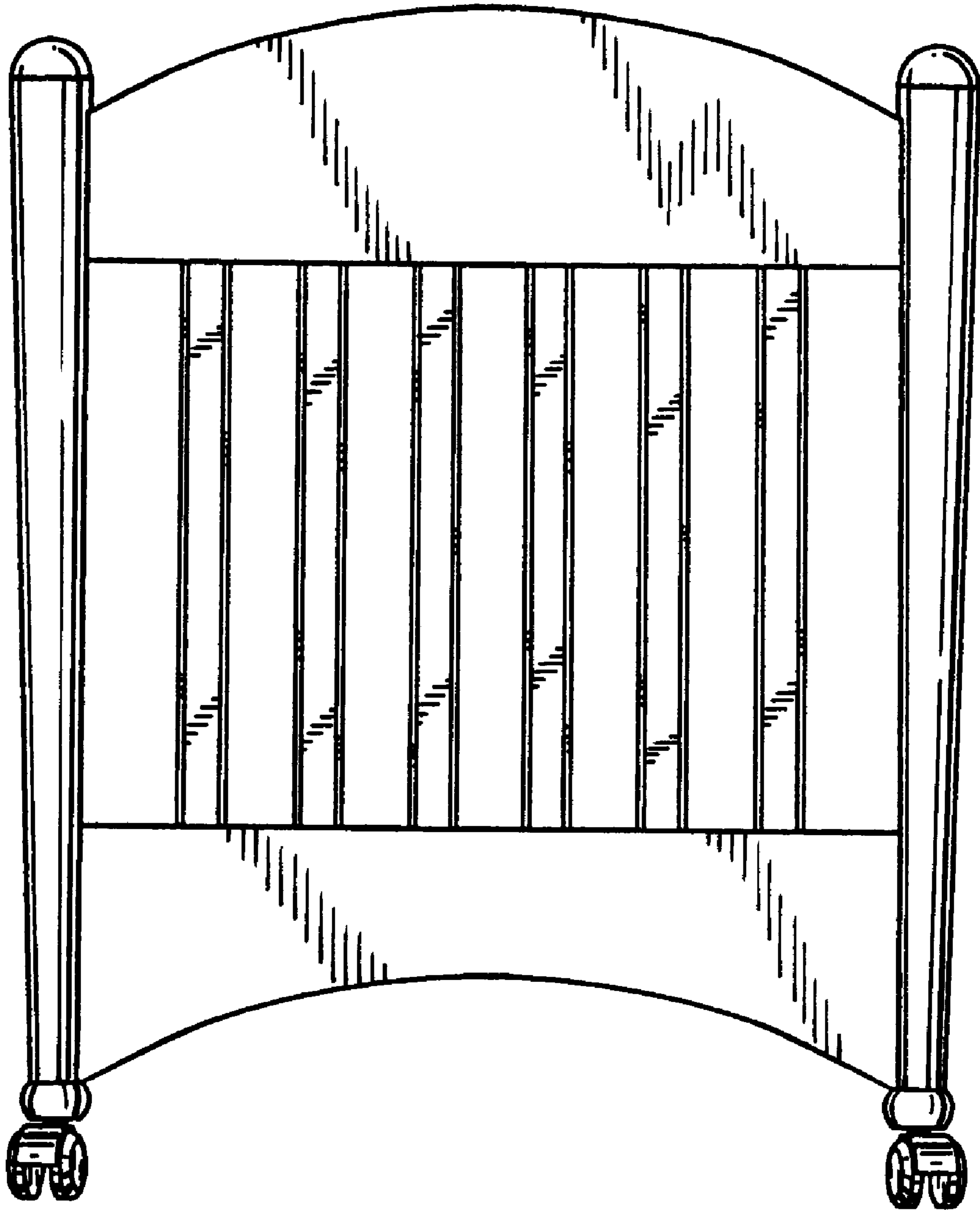


FIG. 6

