



US00D445589S

(12) **United States Design Patent**
Natuzzi et al.

(10) **Patent No.:** **US D445,589 S**
(45) **Date of Patent:** **** Jul. 31, 2001**

- (54) **SEAT**
- (75) Inventors: **Pasquale Natuzzi; Annamaria Mastrolonardo**, both of Bari (IT)
- (73) Assignee: **Industrie Natuzzi SpA**, Bari (IT)
- (**) Term: **14 Years**
- (21) Appl. No.: **29/129,382**
- (22) Filed: **Sep. 13, 2000**
- (51) **LOC (7) Cl.** **06-01**
- (52) **U.S. Cl.** **D6/381; D6/334**
- (58) **Field of Search** **D6/334, 335, 364, D6/371, 381, 500, 501, 502; 297/232, 445.1**

(56) **References Cited**

U.S. PATENT DOCUMENTS

D. 326,022	*	5/1992	Gera	D6/381
D. 337,692	*	7/1993	Natuzzi et al.	D6/381
D. 380,912	*	7/1997	Gera	D6/381
D. 382,131	*	8/1997	Natuzzi et al.	D6/381
D. 382,724	*	8/1997	Natuzzi et al.	D6/381
D. 384,218	*	9/1997	Natuzzi et al.	D6/381
D. 384,220	*	9/1997	Natuzzi et al.	D6/381
D. 392,472	*	3/1998	Natuzzi et al.	D6/381
D. 394,359	*	5/1998	Natuzzi et al.	D6/381

OTHER PUBLICATIONS

Natuzzi Model 452, International Home Furnishings Market, High Point, NC, Oct. 1988.*
 The Rowe Show Place Brochure, sofa at bottom left, as marked.*
 Natuzzi Model 1849, International Home Furnishings Market, High Point, NC, Sep. 1999.*
 Natuzzi Model IPNO, Apr., 1986, Oct. 1988, at International Home Furnishings Market in High Point, North Carolina.
 Natuzzi Model 454, at least as early as 1988, at International Home Furnishings Market in High Point, North Carolina.
 Natuzzi Model 465, Oct. 1988, at International Home Furnishings Market in High Point, North Carolina.
 Natuzzi Model 485, Apr. 1989, at International Home Furnishings Market in High Point, North Carolina.

Natuzzi Model 498, Apr. 1989, at International Home Furnishings Market in High Point, North Carolina.
 Natuzzi Model 627, Oct. 1988, at International Home Furnishings Market in High Point, North Carolina.
 Natuzzi Model 803, Oct. 1990, at International Home Furnishings Market in High Point, North Carolina.
 Natuzzi Model 827, Apr. 1991, at International Home Furnishings Market in High Point, North Carolina.
 Natuzzi Model 902, Apr. 1992, at International Home Furnishings Market in High Point, North Carolina.
 Natuzzi Model 937, Oct. 1992, at International Home Furnishings Market in High Point, North Carolina.
 Natuzzi Model 1073, Apr. 1993, at International Home Furnishings Market in High Point, North Carolina.

(List continued on next page.)

Primary Examiner—Gary D. Watson

(74) *Attorney, Agent, or Firm*—Alston & Bird LLP

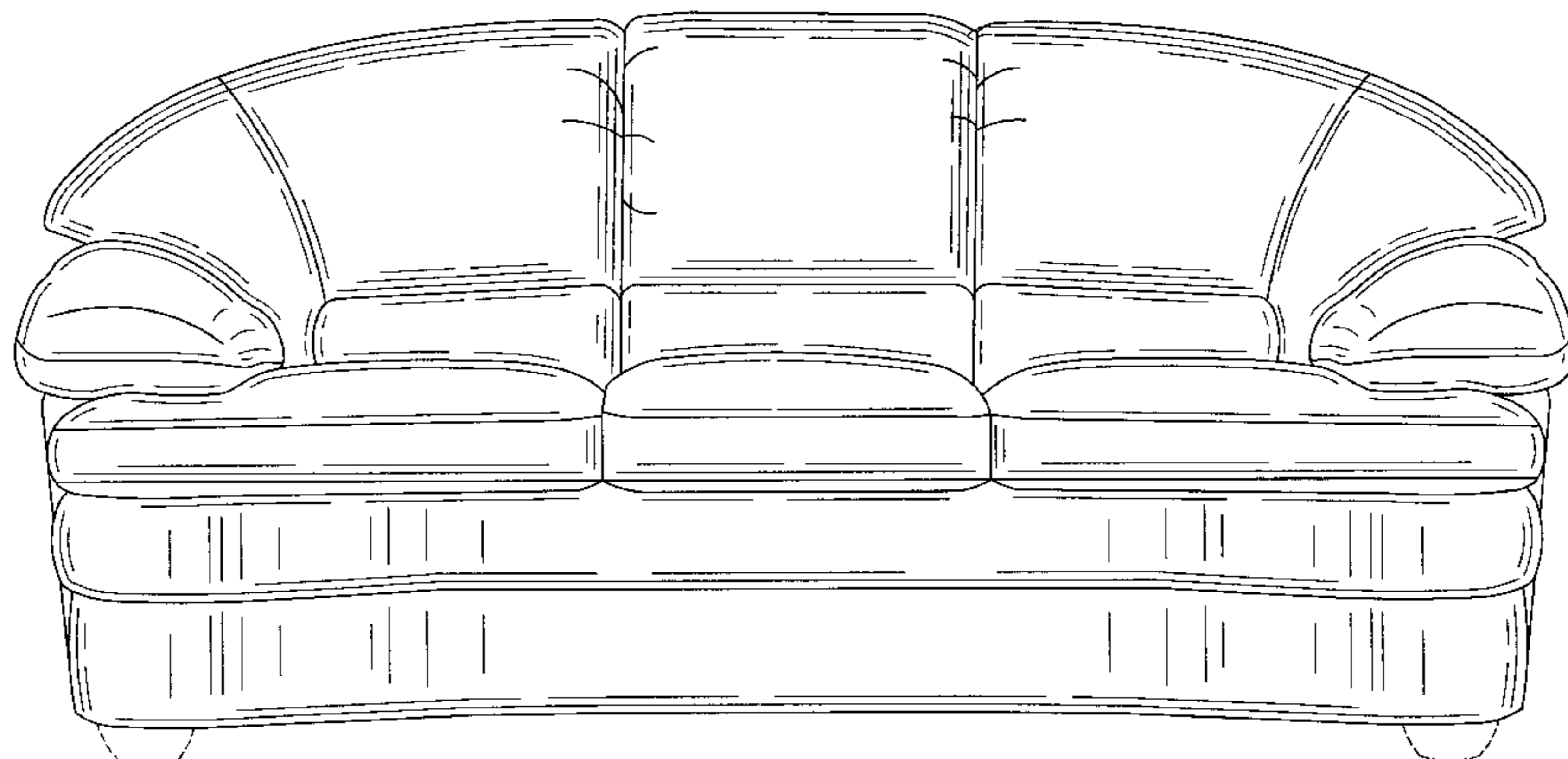
(57) **CLAIM**

The ornamental design for a seat, as shown and described.

DESCRIPTION

FIG. 1 is a front perspective view of a seat showing a first embodiment of our new design in the form of a sofa;
 FIG. 2 is a front elevational view thereof;
 FIG. 3 is a top plan view thereof;
 FIG. 4 is a left side elevational view, the right side being a mirror image thereof;
 FIG. 5 is a rear elevational view thereof;
 FIG. 6 is a front elevational view of a seat showing our new design in the form of a loveseat; and,
 FIG. 7 is a front elevational view of a seat showing our new design in the form of a chair.
 The broken lines shown herein are for illustrative purposes only and form no part of the claimed design.
 The rear views of FIGS. 6 and 7 are like FIG. 5, the difference being a matter of length.
 The end views of FIGS. 6 and 7 are like FIG. 4.
 FIG. 1 is shown on an enlarged scale with respect to the other views.

1 Claim, 3 Drawing Sheets



OTHER PUBLICATIONS

Natuzzi Model 1094, Oct. 1993, at International Home Furnishings Market in High Point, North Carolina.
Natuzzi Model 1161, Apr. 1994, at International Home Furnishings Market in High Point, North Carolina.
Natuzzi Model 1198, Oct. 1994, at International Home Furnishings Market in High Point, North Carolina.
Natuzzi Model 1265, Mar. 1995, at International Home Furnishings Market in High Point, North Carolina.
Natuzzi Model 1266, Mar. 1995, at International Home Furnishings Market in High Point, North Carolina.
Natuzzi Model 1387, Oct. 1995, at International Home Furnishings Market in High Point, North Carolina.
Natuzzi Model 1396, Oct. 1995, at International Home Furnishings Market in High Point, North Carolina.
Natuzzi Model 1464, Apr. 1996, at International Home Furnishings Market in High Point, North Carolina.
Natuzzi Model 1508, Oct. 1996, at International Home Furnishings Market in High Point, North Carolina.

Natuzzi Model 1516, Oct. 1996, at International Home Furnishings Market in High Point, North Carolina.
Natuzzi Model 1529, Oct. 1996, at International Home Furnishings Market in High Point, North Carolina.
Natuzzi Model 1584, Apr. 1997, at International Home Furnishings Market in High Point, North Carolina.
Natuzzi Model 1588, 1997, at International Home Furnishings Market in High Point, North Carolina.
Natuzzi Model 1597, Mar. 1997, at International Home Furnishings Market in High Point, North Carolina.
Natuzzi Model 1666, Mar. 1998, at International Home Furnishings Market in High Point, North Carolina.
Natuzzi Model 1724, Sep. 1998, at International Home Furnishings Market in High Point, North Carolina.
Natuzzi Model 1839, at least as early as Sep. 1999, at International Home Furnishings Market in High Point, North Carolina.

* cited by examiner

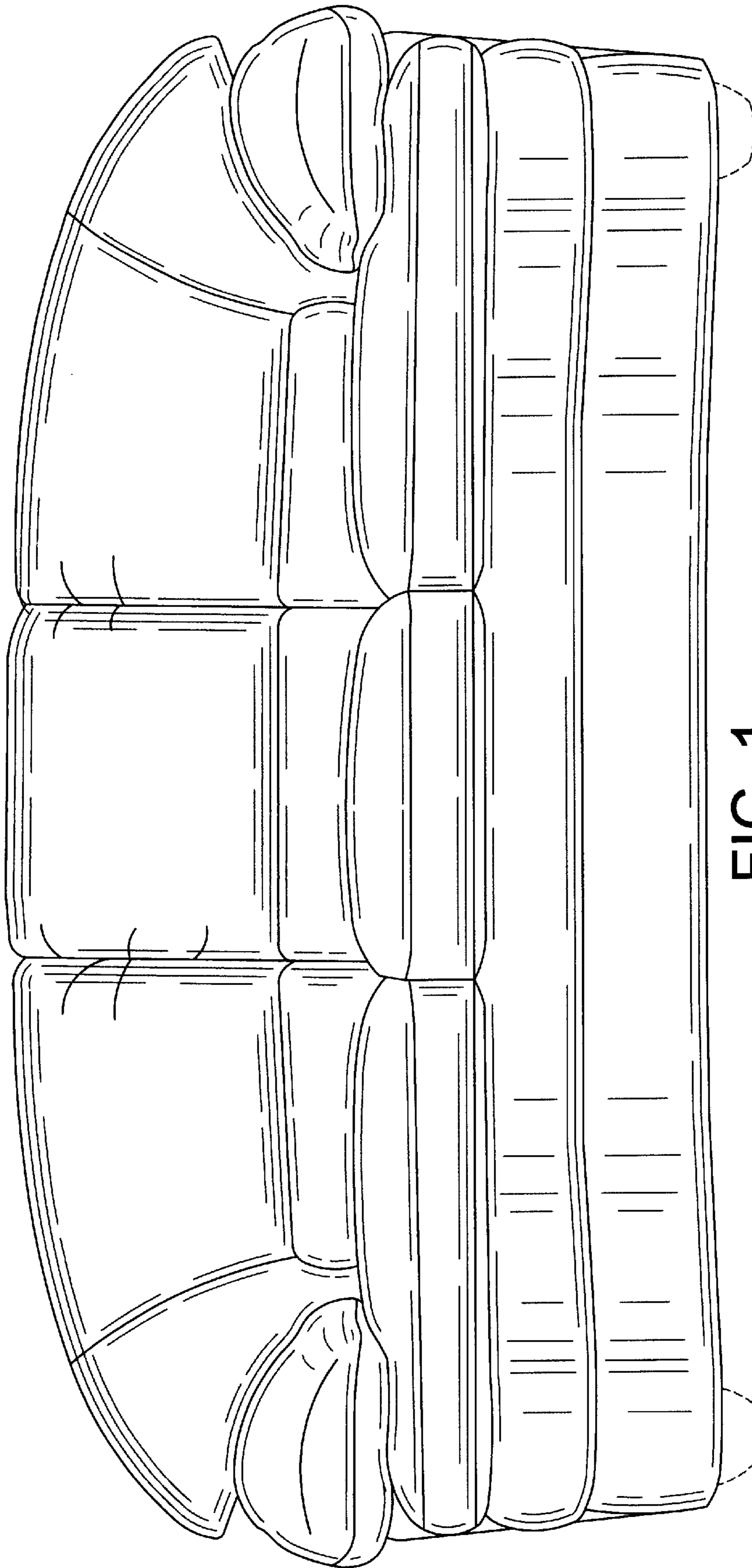


FIG. 1.

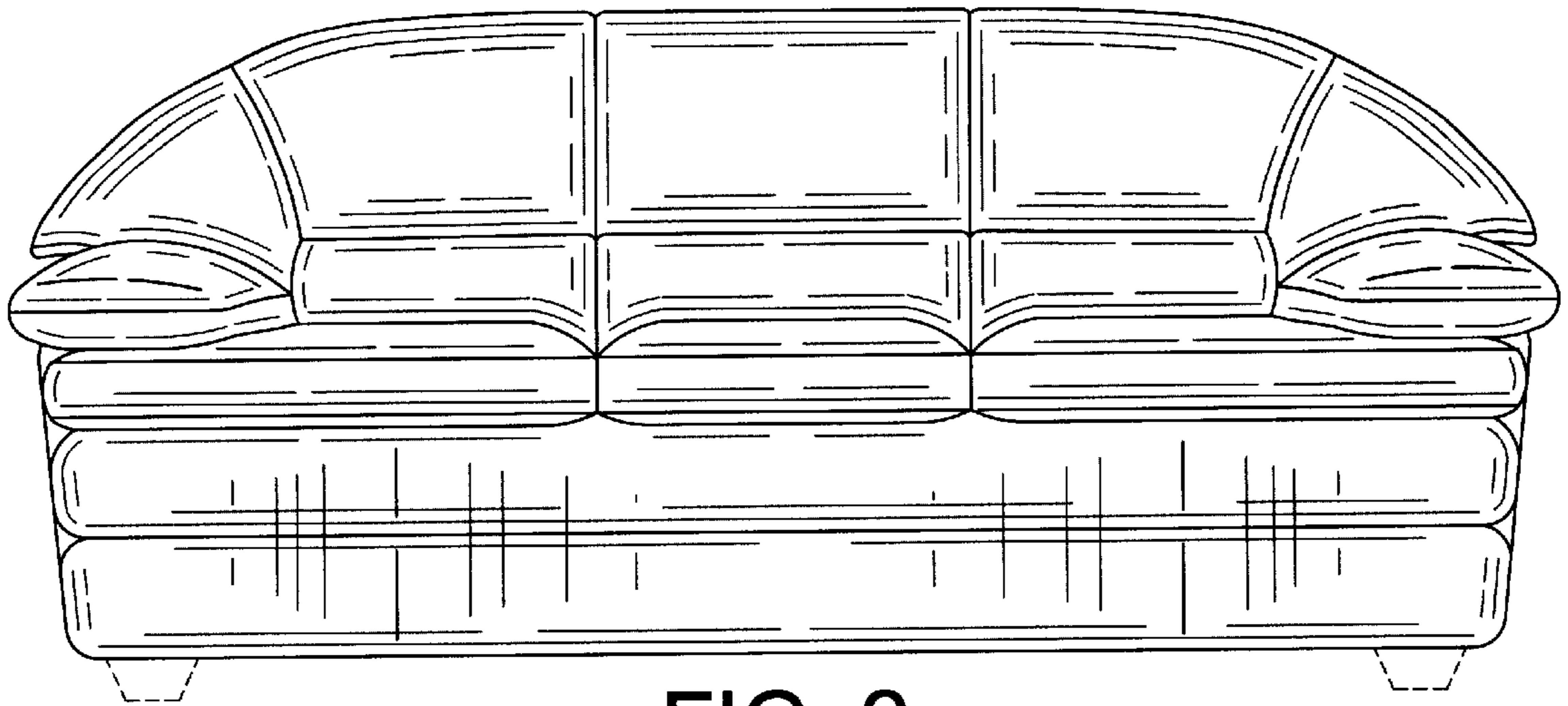


FIG. 2.

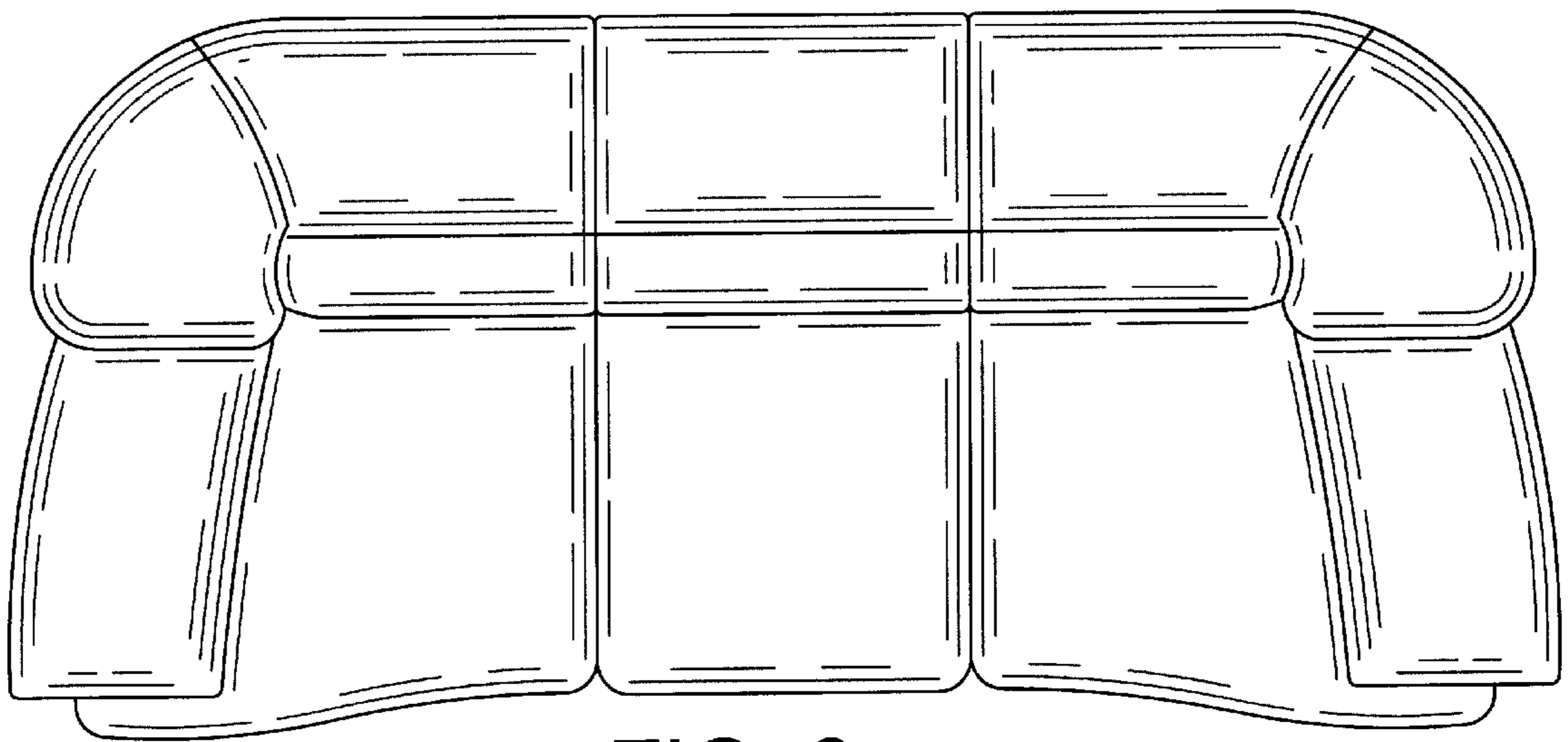


FIG. 3.

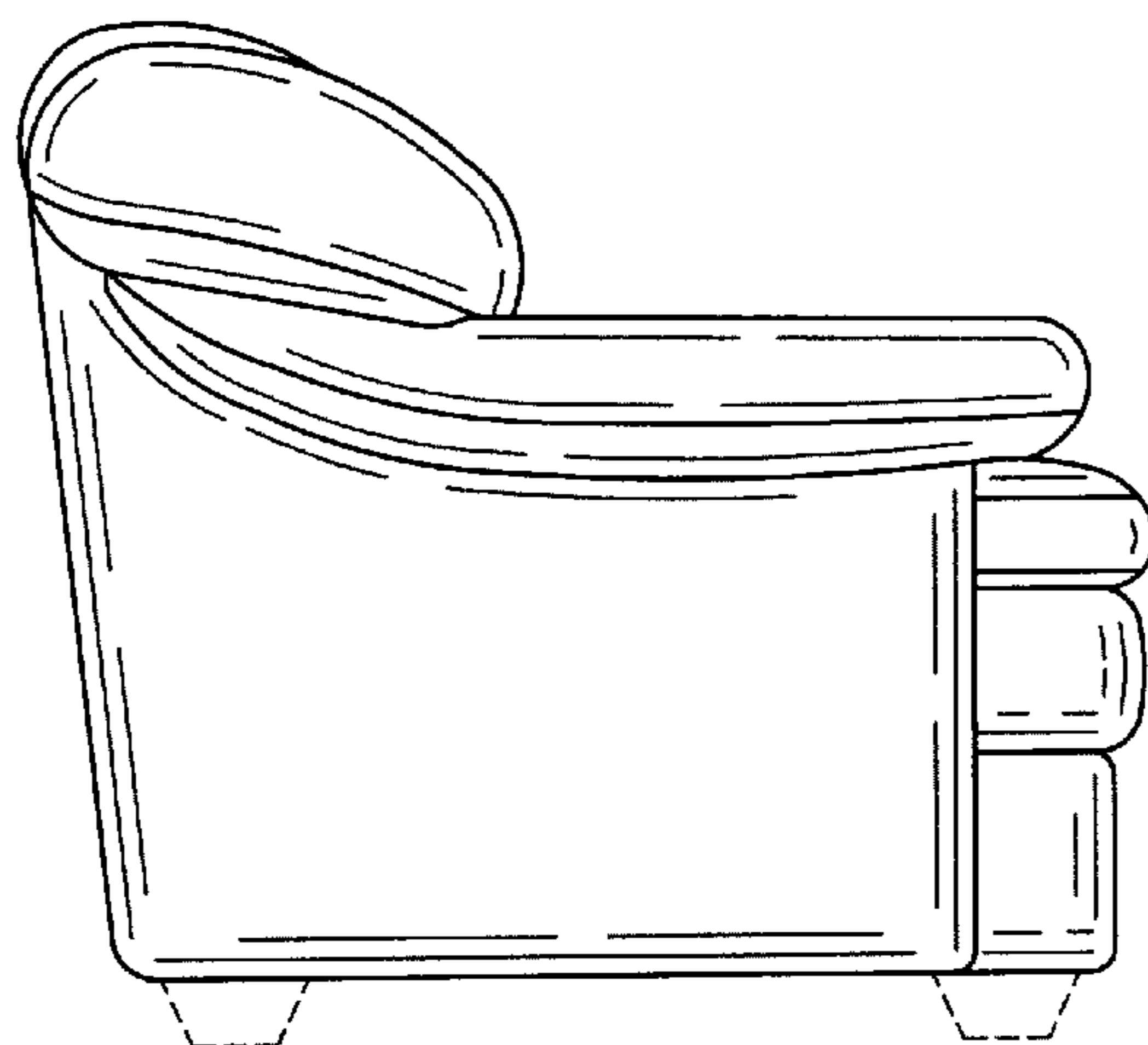


FIG. 4.

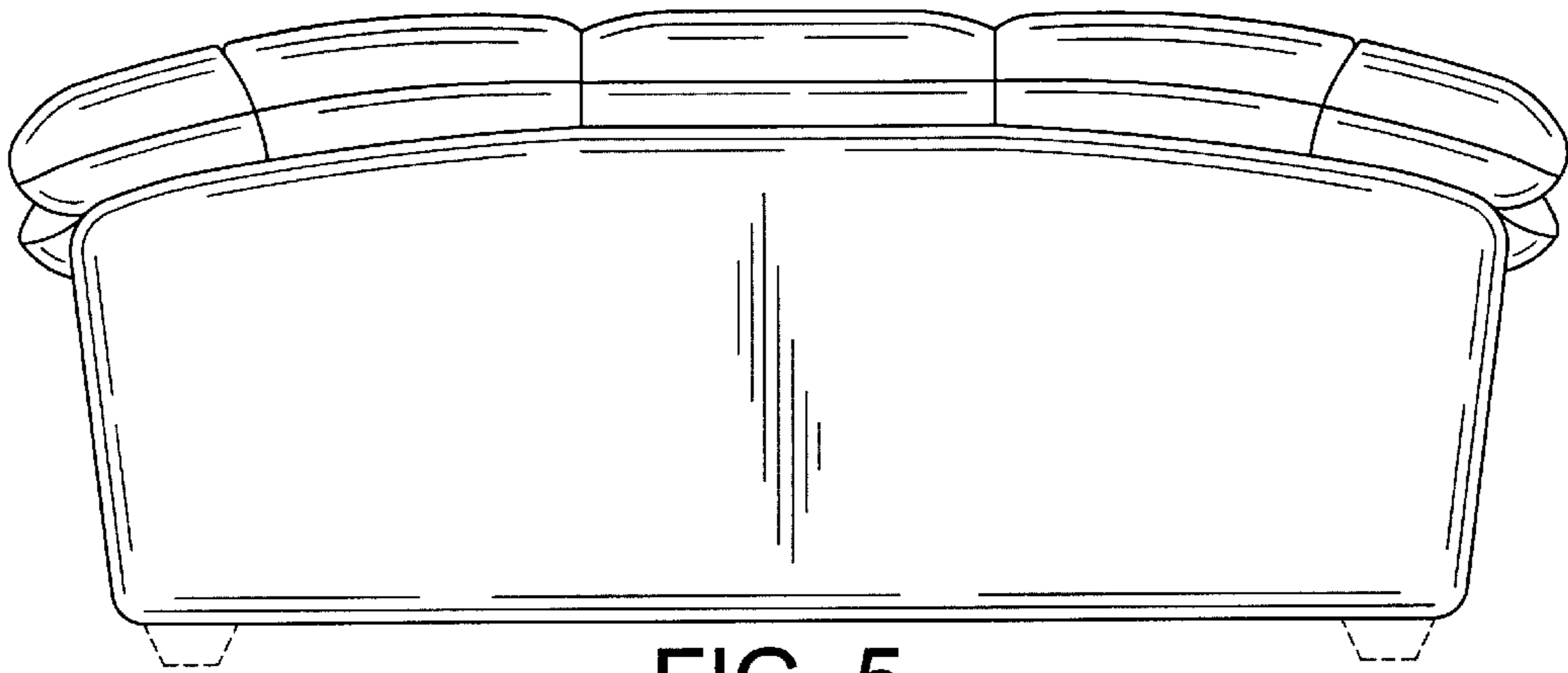


FIG. 5.

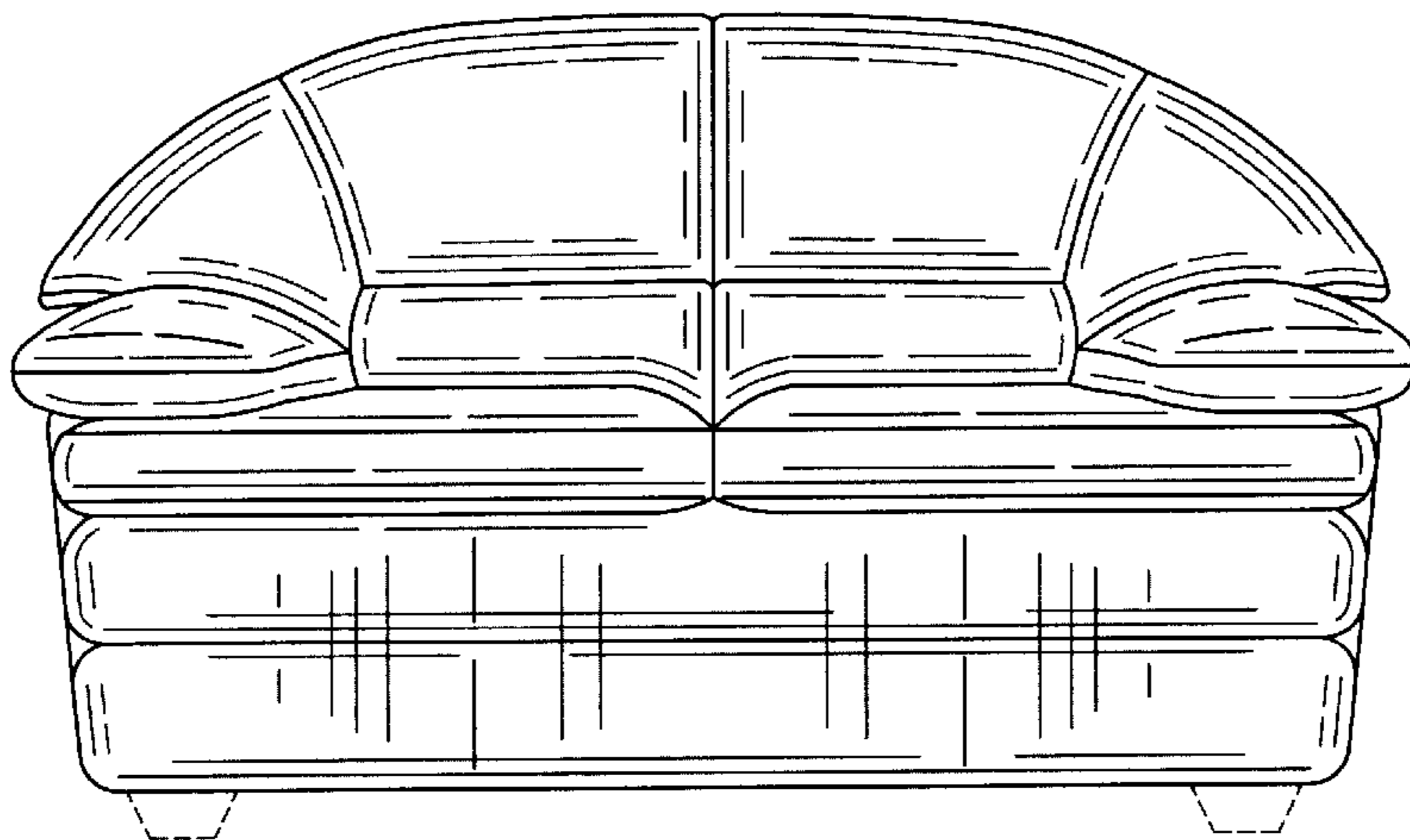


FIG. 6.

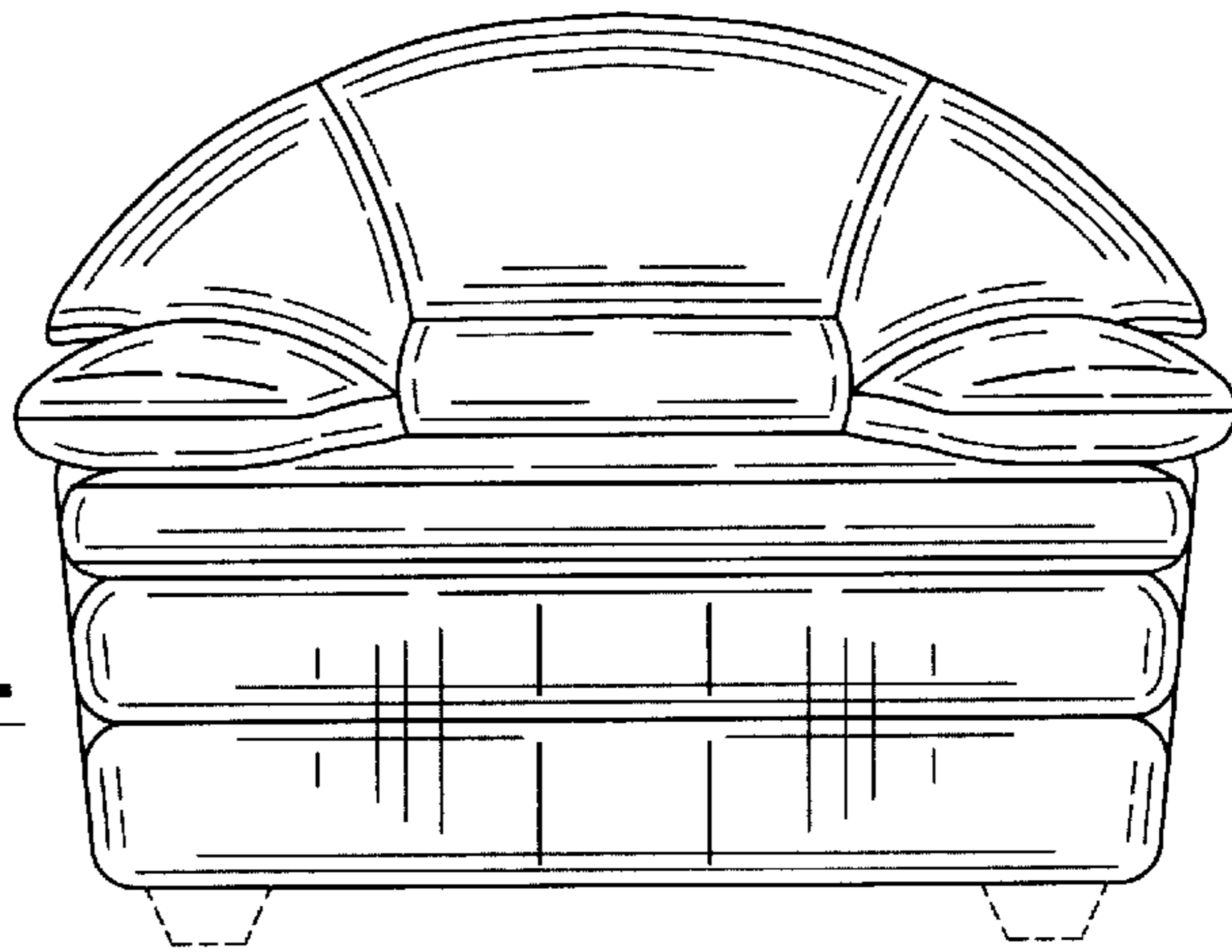


FIG. 7.