



US00D445586S

(12) **United States Design Patent**
Mintz et al.

(10) **Patent No.:** **US D445,586 S**

(45) **Date of Patent:** **** Jul. 31, 2001**

(54) **CHAIR**

(75) Inventors: **Stanley Mintz; James Nopper**, both of Woodbridge (CA)

(73) Assignee: **Reflections Furniture Industries Ltd.**, Woodbridge (CA)

(**) Term: **14 Years**

(21) Appl. No.: **29/122,454**

(22) Filed: **Apr. 28, 2000**

(30) **Foreign Application Priority Data**

Mar. 28, 2000 (CA) 2000-0829

(51) **LOC (7) Cl.** **06-01**

(52) **U.S. Cl.** **D6/380; D6/379**

(58) **Field of Search** D6/334, 370, 374, D6/376, 379, 380, 500, 501, 502; 297/445.1, 446.1

(56) **References Cited**

U.S. PATENT DOCUMENTS

D. 201,878 * 8/1965 Petersen D6/380

D. 262,244 * 12/1981 Wilson D6/379

D. 333,750 * 3/1993 Hess D6/500

D. 414,953 * 10/1999 Goetz D6/379

* cited by examiner

Primary Examiner—Gary D. Watson

(74) *Attorney, Agent, or Firm*—Bereskin & Parr

(57) **CLAIM**

The ornamental Design for chair, as shown and described.

DESCRIPTION

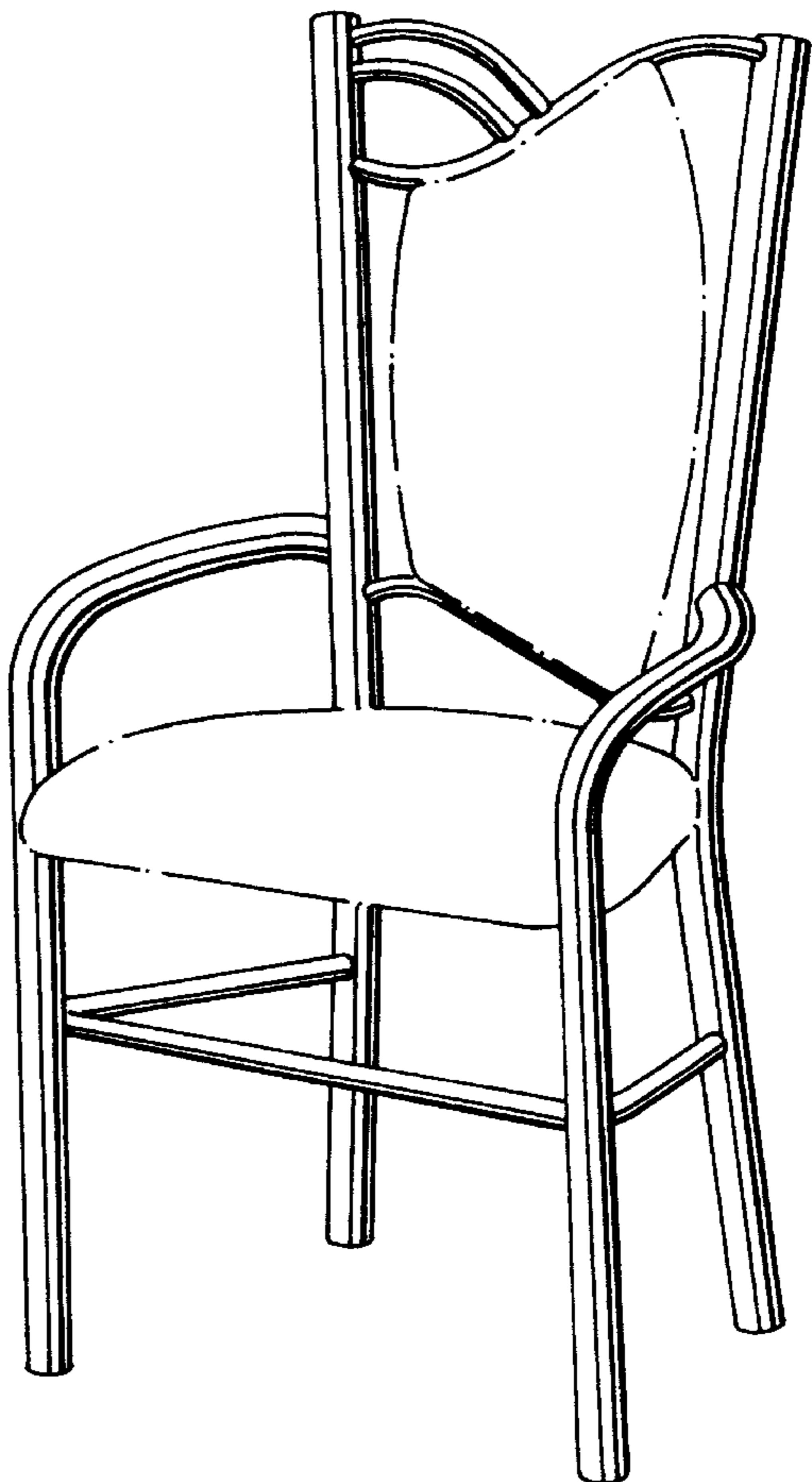
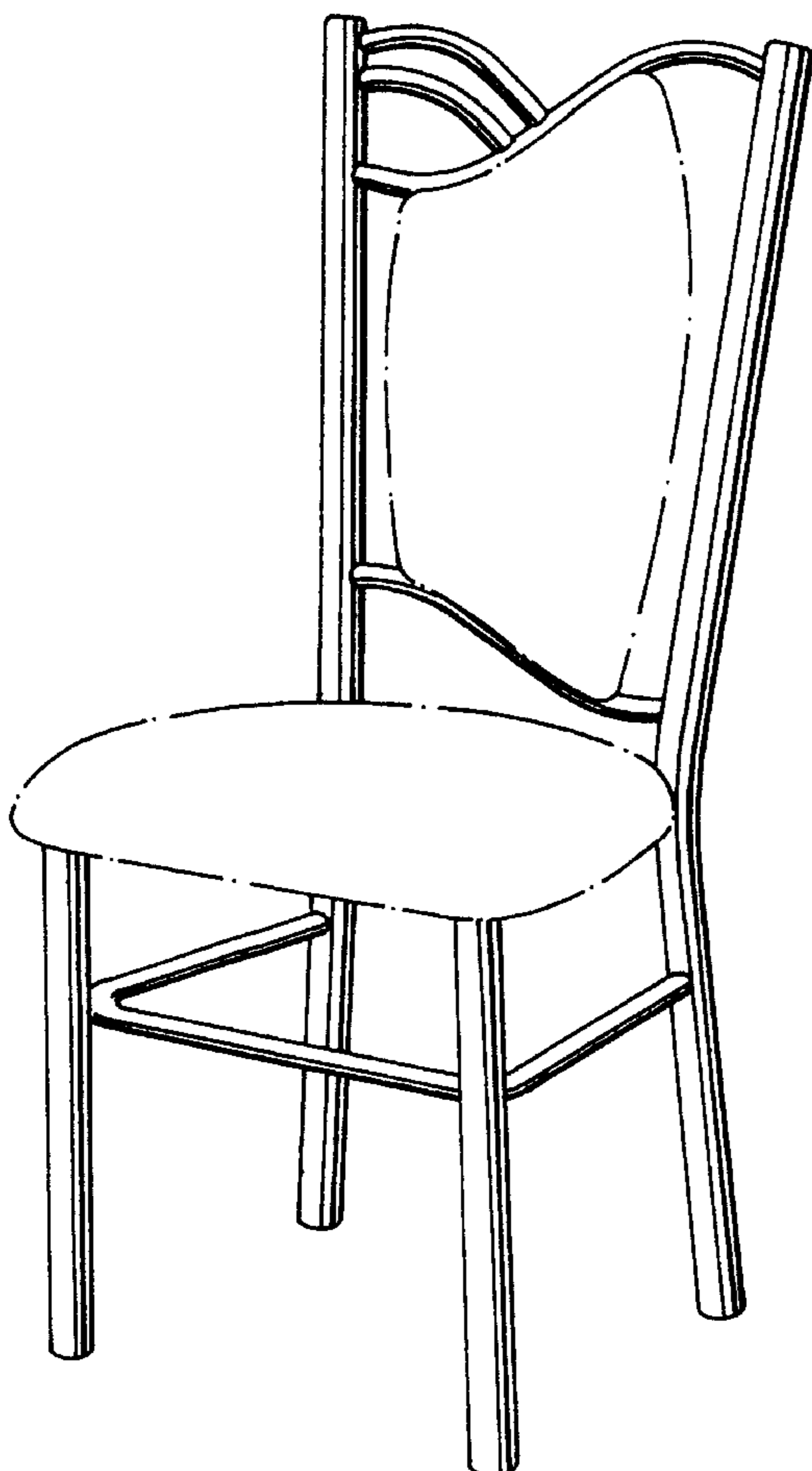
FIG. 1 is a front perspective view,

FIG. 2 is a rear perspective view; and,

FIG. 3 is a front perspective view of an alternate embodiment.

The broken lines showing a seat and backrest portion of the chair are for illustrative purposes only and form no part of the claimed design.

1 Claim, 2 Drawing Sheets



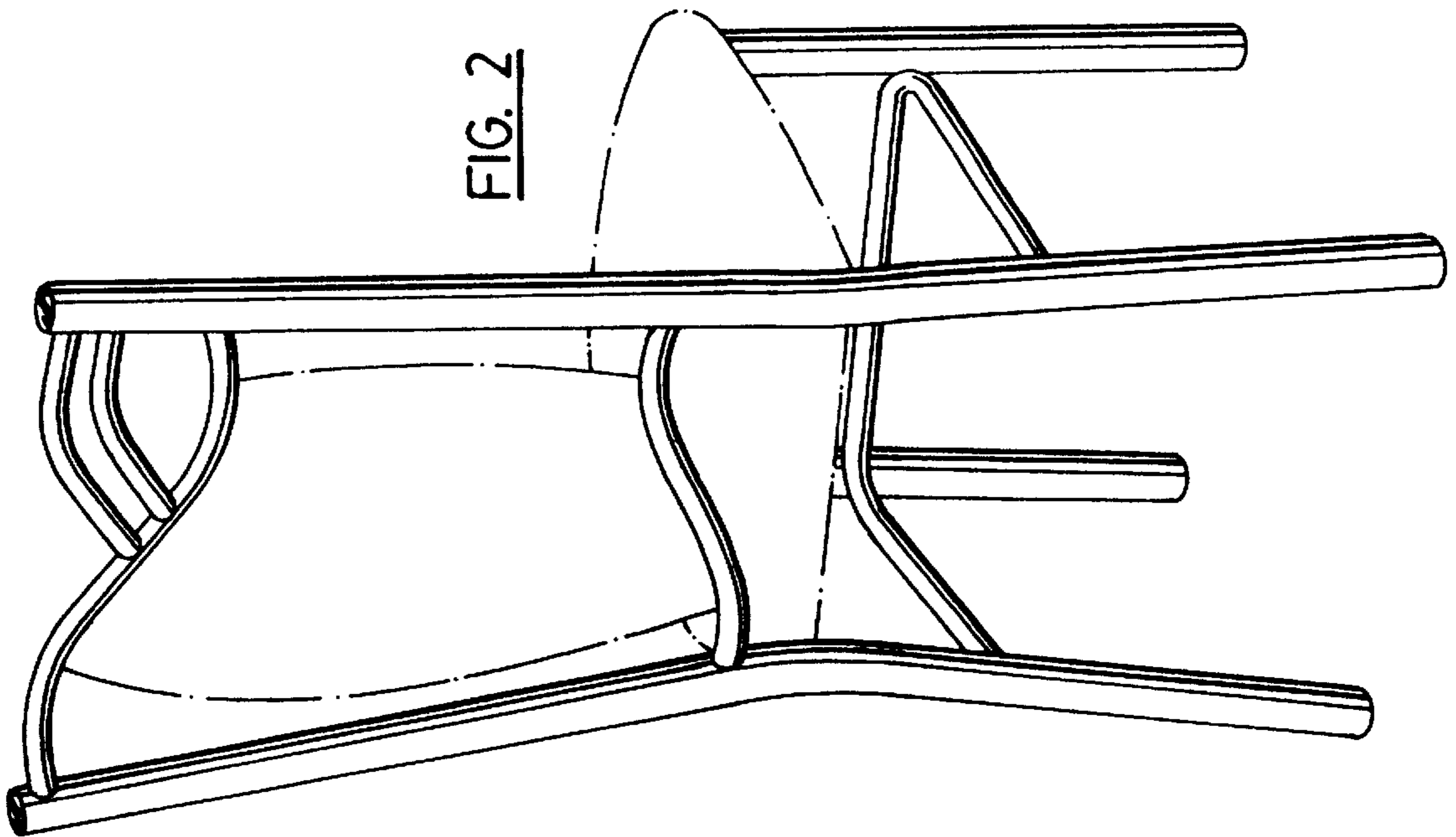


FIG. 2

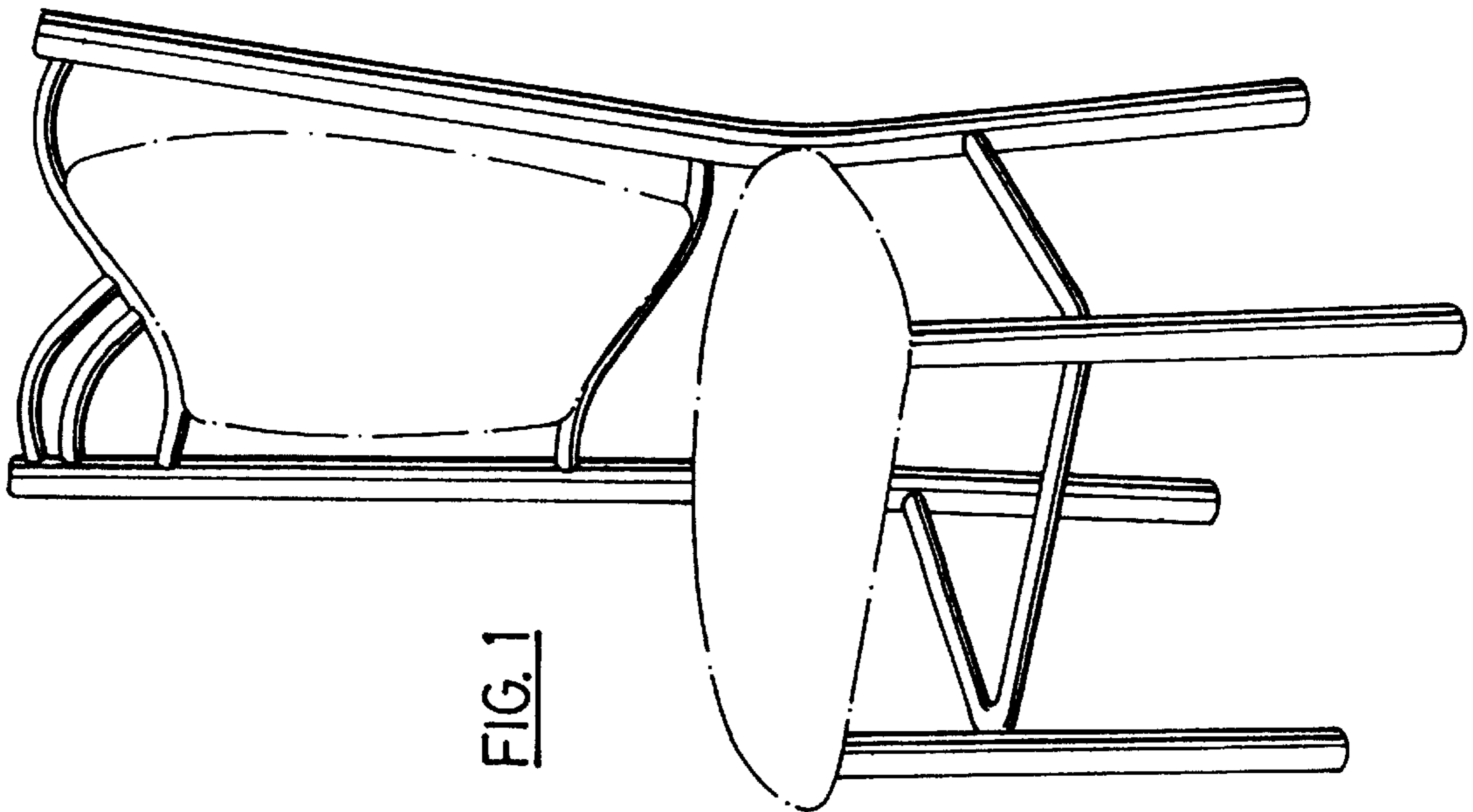


FIG. 1

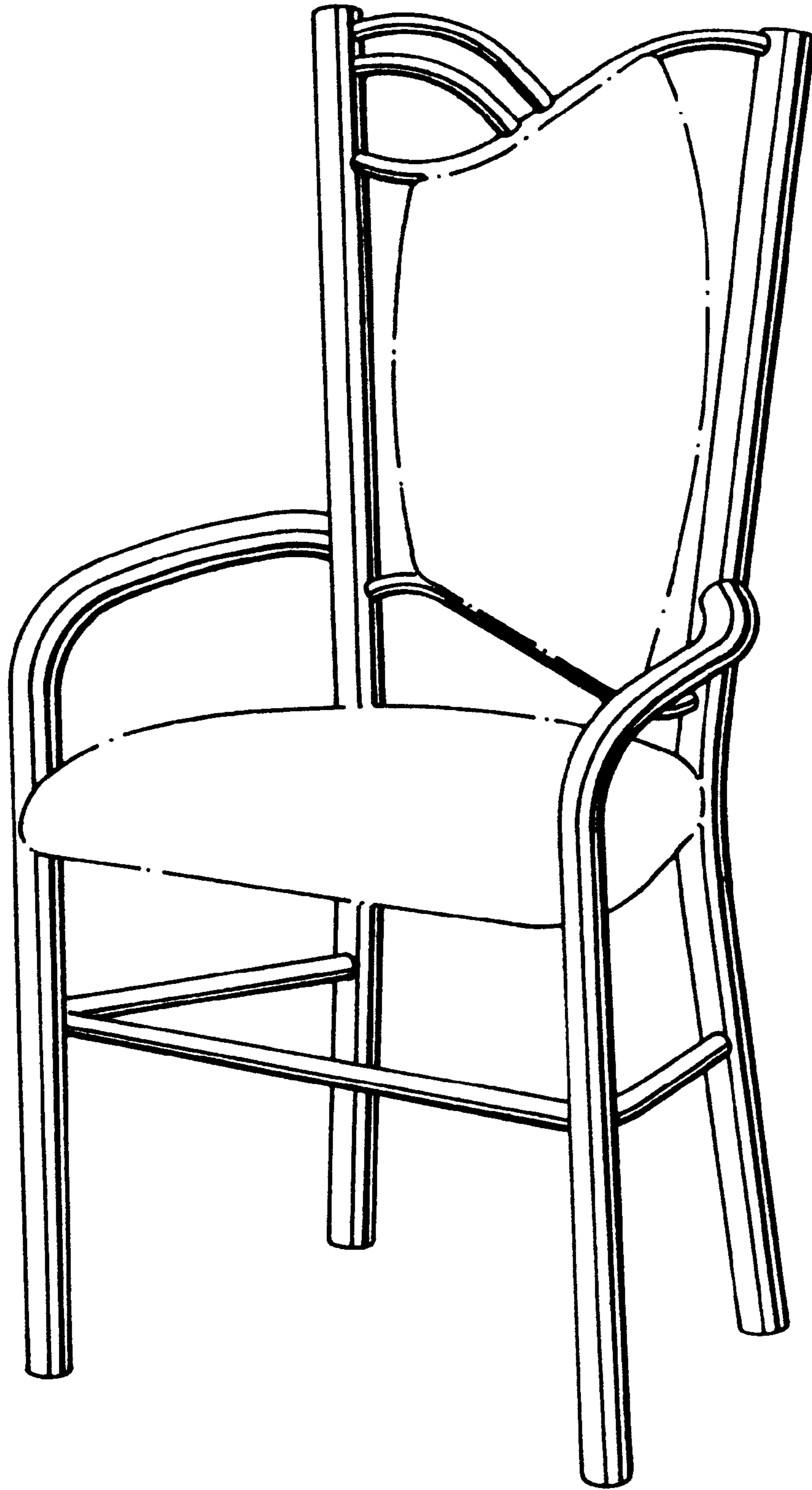


FIG. 3