



US00D445578S

(12) **United States Design Patent**
Sery

(10) **Patent No.:** **US D445,578 S**

(45) **Date of Patent:** **** Jul. 31, 2001**

(54) **FOLDING CHAIR**

(75) **Inventor:** **Erez Sery, Tel Aviv (IL)**

(73) **Assignee:** **Active International Imported Wood (IL)**

(**) **Term:** **14 Years**

(21) **Appl. No.:** **29/128,622**

(22) **Filed:** **Aug. 28, 2000**

(51) **LOC (7) Cl.** **06-01**

(52) **U.S. Cl.** **D6/361**

(58) **Field of Search** D6/334, 335, 336,
D6/368, 374, 376, 380, 500-502; 297/16.1,
40, 41, 55, 56, 58

(56) **References Cited**

U.S. PATENT DOCUMENTS

D. 234,935	*	4/1975	Dransart	D6/368
D. 238,021	*	12/1975	Minsker	D6/368
D. 283,566	*	4/1986	Cronsioe	D6/368

D. 296,274 * 6/1988 Winters D6/368

D. 314,871 * 2/1991 Goetz D6/368

D. 347,122 * 5/1994 Kolberg D6/380

* cited by examiner

Primary Examiner—Doris V. Coles

Assistant Examiner—Mimosa De

(74) *Attorney, Agent, or Firm*—Knechtel, Demeur & Samlan

(57) **CLAIM**

I claim the ornamental design for a folding chair, as shown and described.

DESCRIPTION

FIG. 1 is a perspective view.

FIG. 2 is a left side view.

FIG. 3 is a front elevational view.

FIG. 4 is a rear elevational view.

FIG. 5 is a top plan view; and,

FIG. 6 is a bottom plan view.

1 Claim, 3 Drawing Sheets

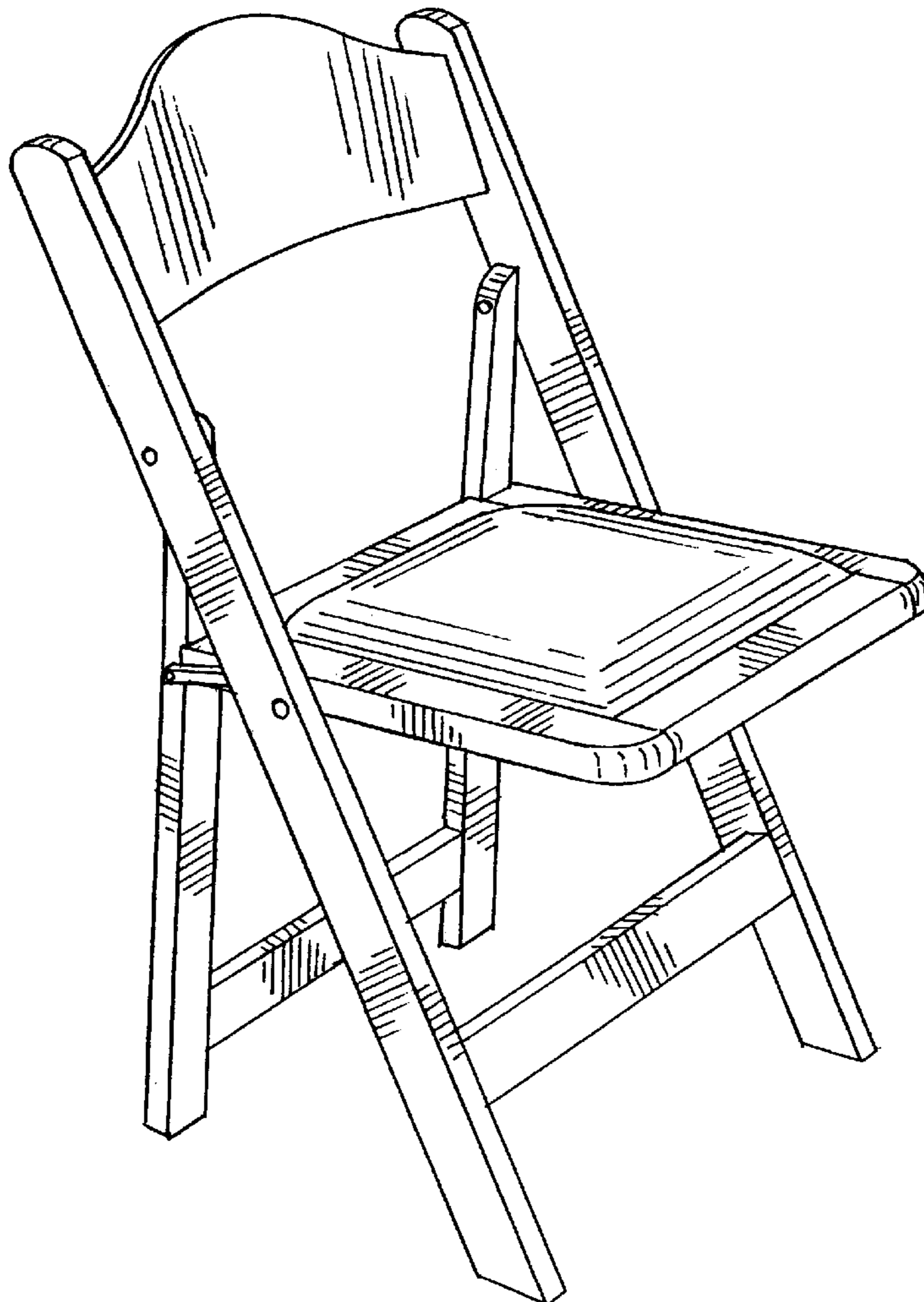


FIG.2

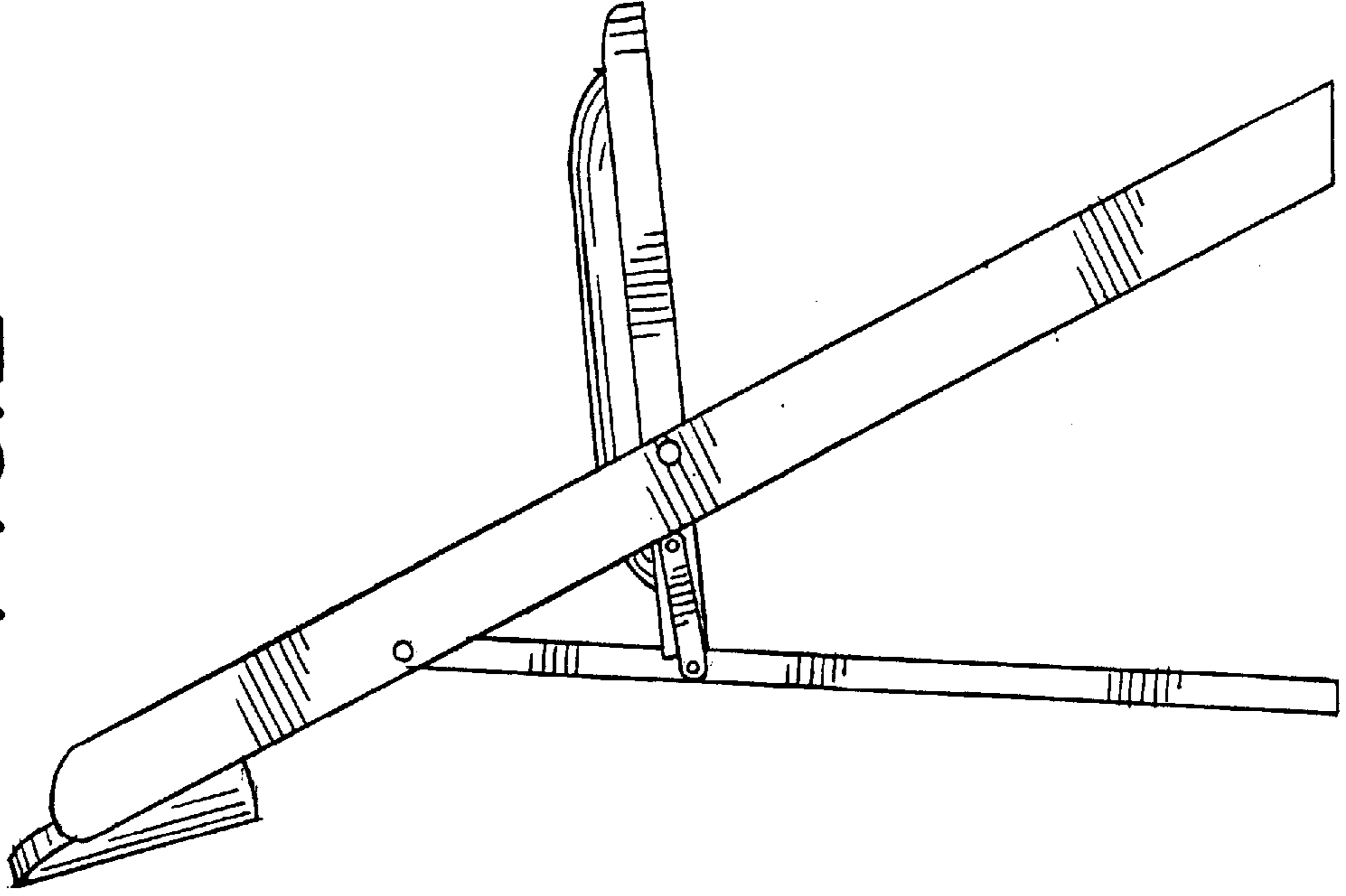


FIG.1

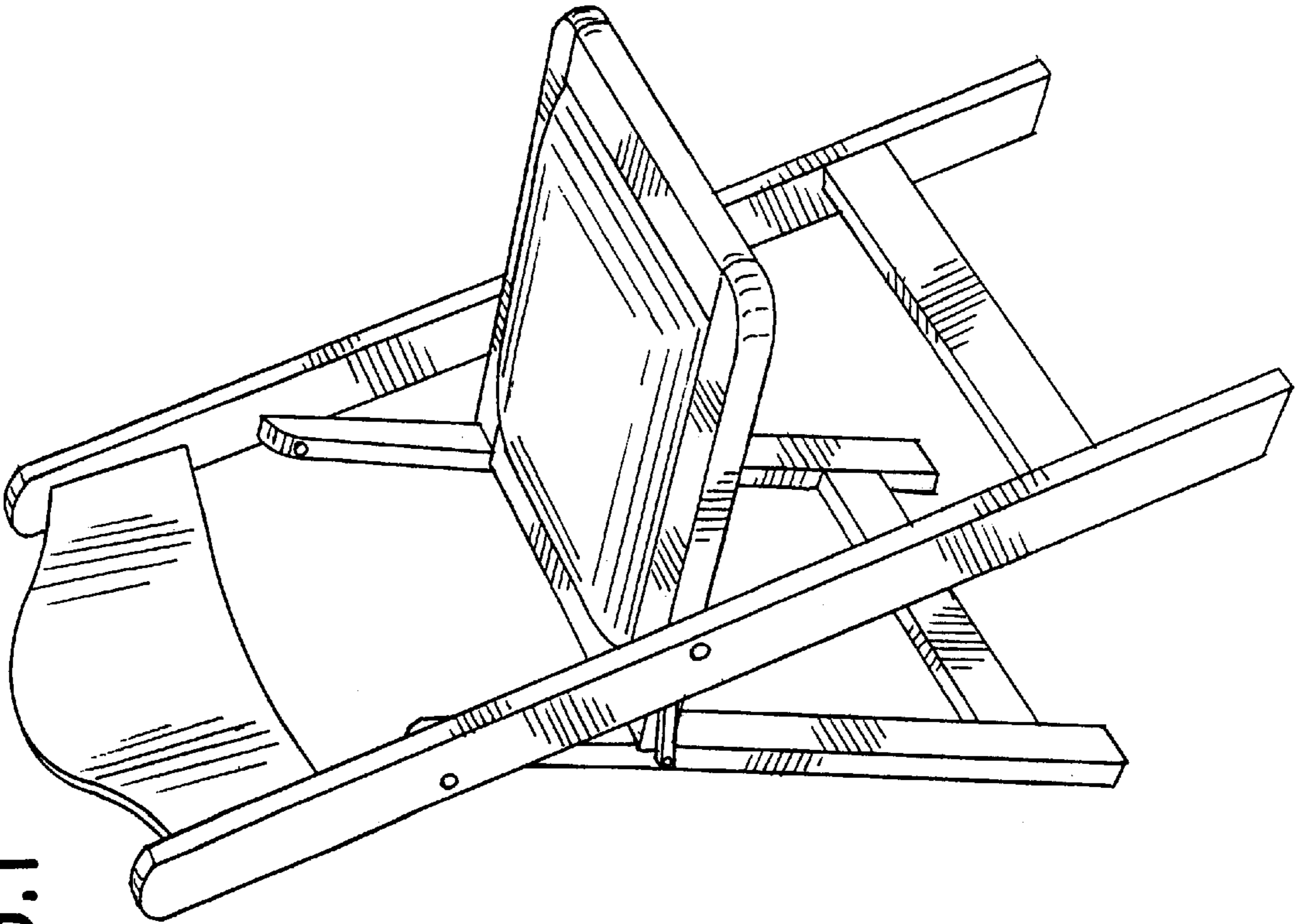


FIG.4

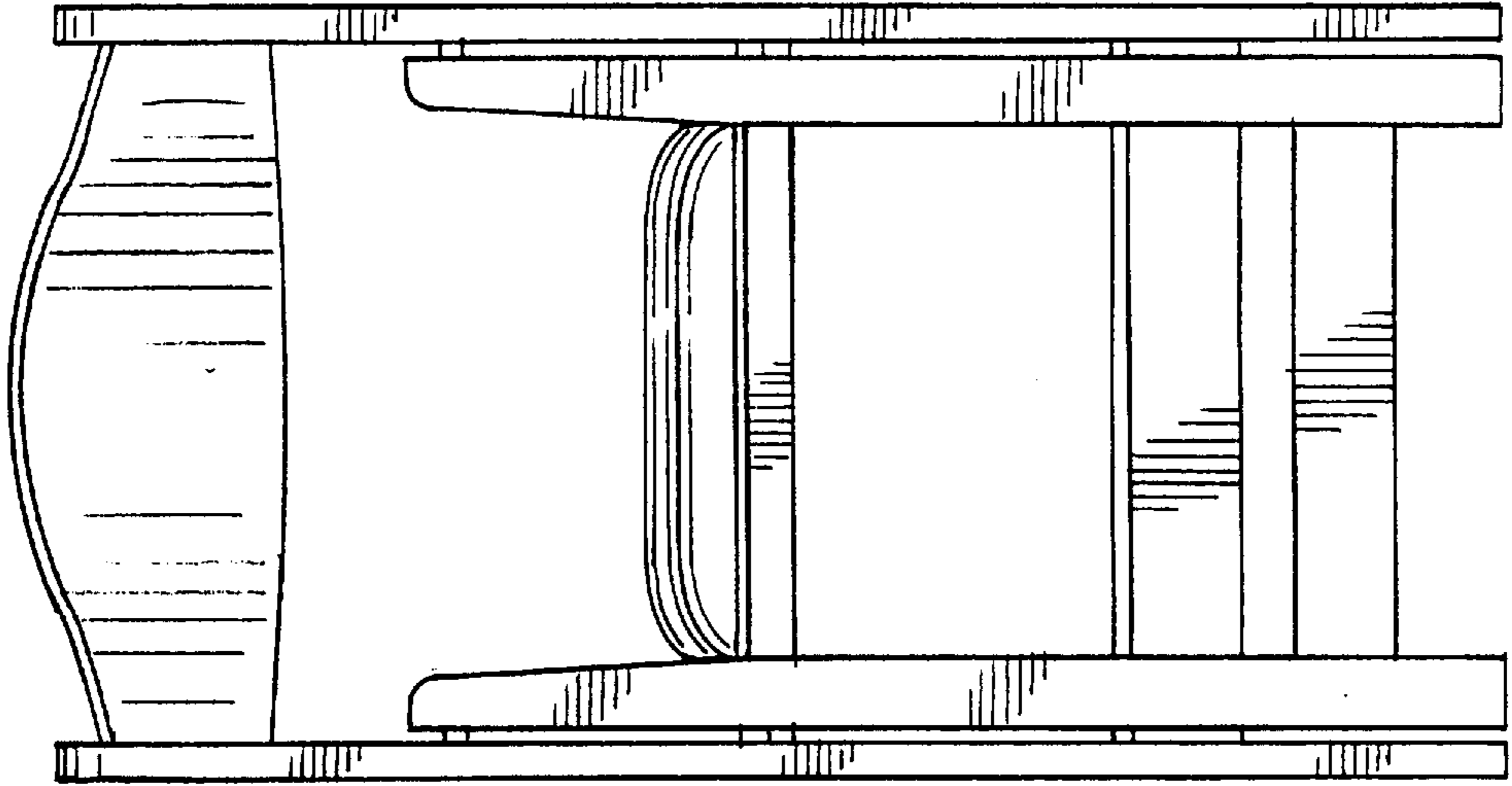


FIG.3

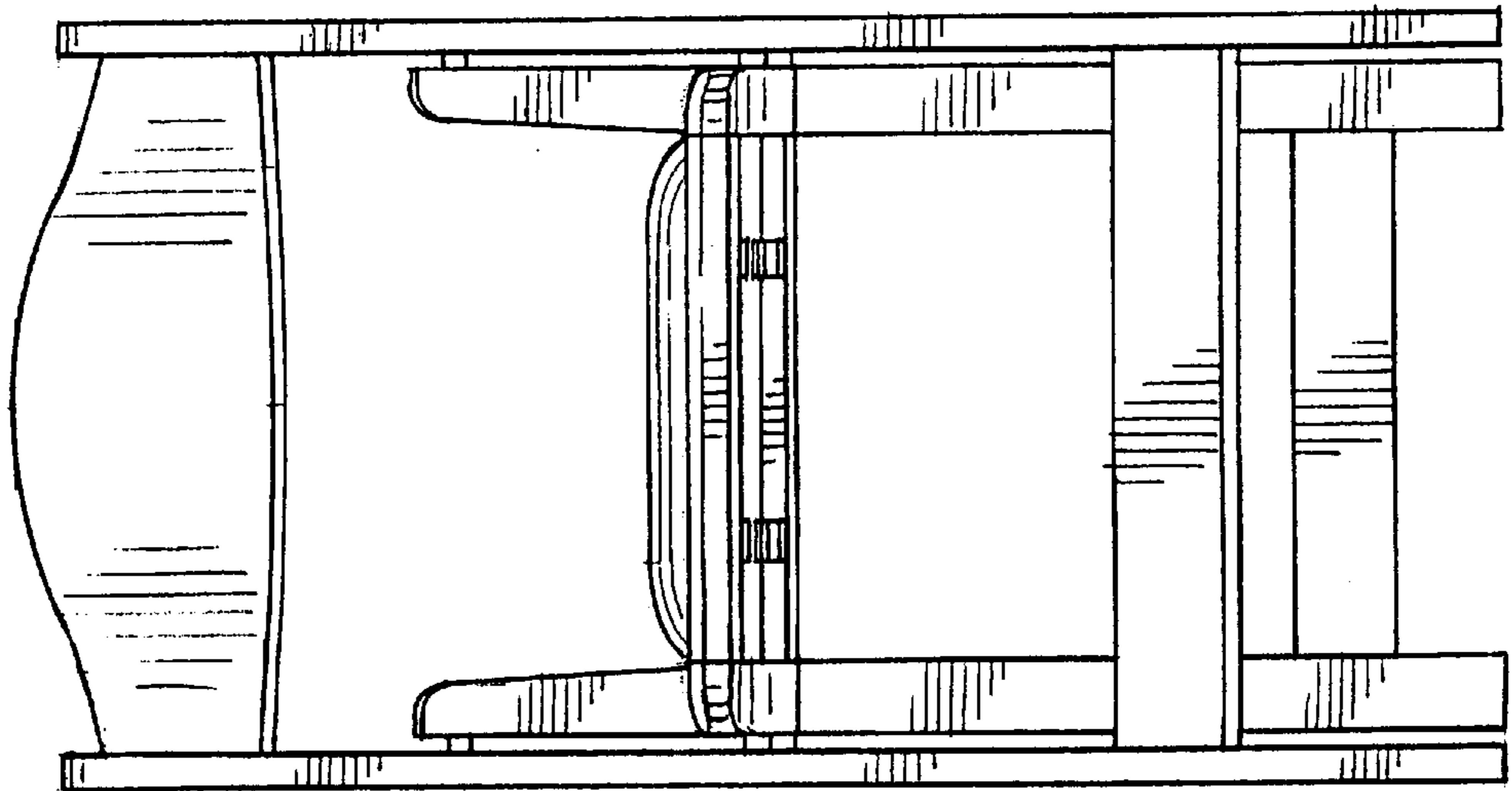


FIG.5

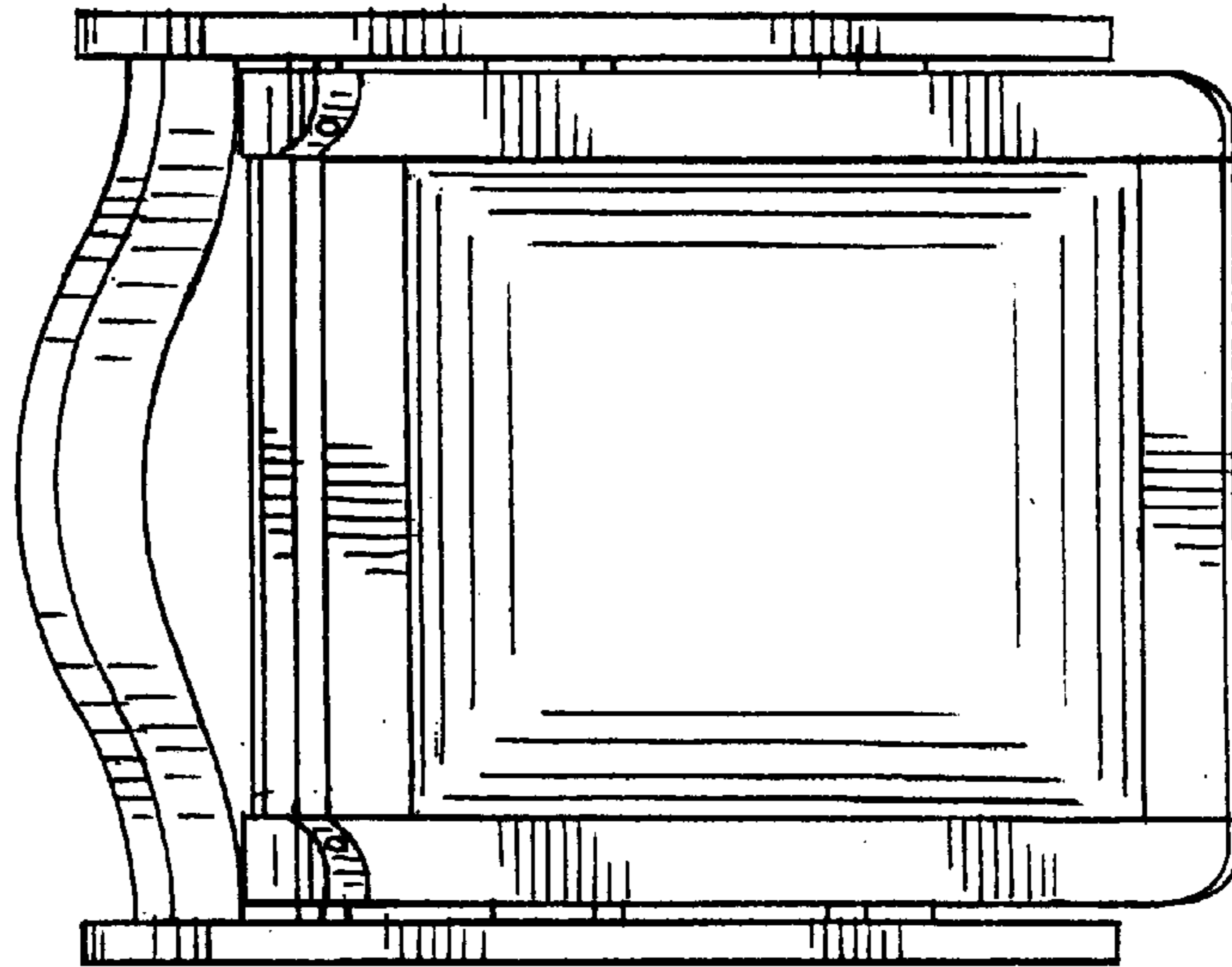


FIG.6

