



US00D445574S

(12) **United States Design Patent**  
**Foster**

(10) **Patent No.:** **US D445,574 S**

(45) **Date of Patent:** **\*\* Jul. 31, 2001**

(54) **SEATING FOR WAITING AREAS**

(75) **Inventor:** **Norman Foster**, London (GB)

(73) **Assignee:** **Vitra Patente AG**, MuttENZ (CH)

(\*\*) **Term:** **14 Years**

(21) **Appl. No.:** **29/103,635**

(22) **Filed:** **Apr. 19, 1999**

(30) **Foreign Application Priority Data**

Oct. 20, 1998 (XH) ..... DM/045 527

(51) **LOC (7) Cl.** ..... **06-01**

(52) **U.S. Cl.** ..... **D6/336; D6/381**

(58) **Field of Search** ..... D6/334, 335, 336,  
D6/368, 371, 373, 374, 375, 379, 381,  
500, 501, 502; 297/232, 248, 335

(56) **References Cited**

**U.S. PATENT DOCUMENTS**

- D. 187,919 5/1960 Barecki .
- D. 190,908 7/1961 Kasparian .
- D. 194,974 4/1963 Kasparian .

- D. 253,859 1/1980 Hosoe .
- D. 343,967 2/1994 Citterio .
- D. 346,283 \* 4/1994 Kolberg ..... D6/374
- D. 347,330 \* 5/1994 Kinsman ..... D6/334
- D. 412,622 \* 8/1999 DeJule ..... D6/371
- D. 419,314 \* 1/2000 Saul ..... D6/336
- 3,990,741 \* 11/1976 Snyder et al. .... D6/336 X

\* cited by examiner

*Primary Examiner*—Gary D. Watson

(74) *Attorney, Agent, or Firm*—Selitto, Behr & Kim

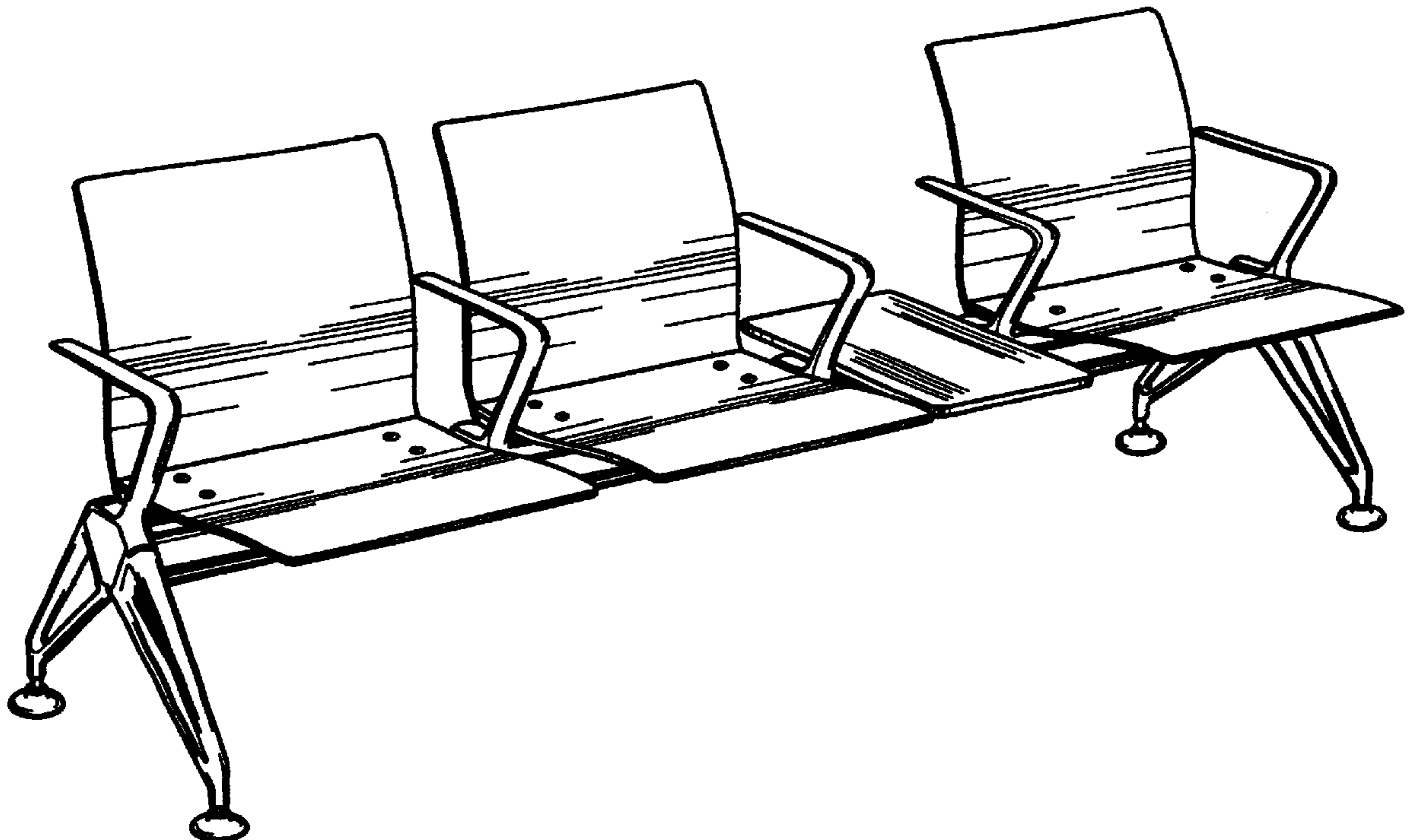
(57) **CLAIM**

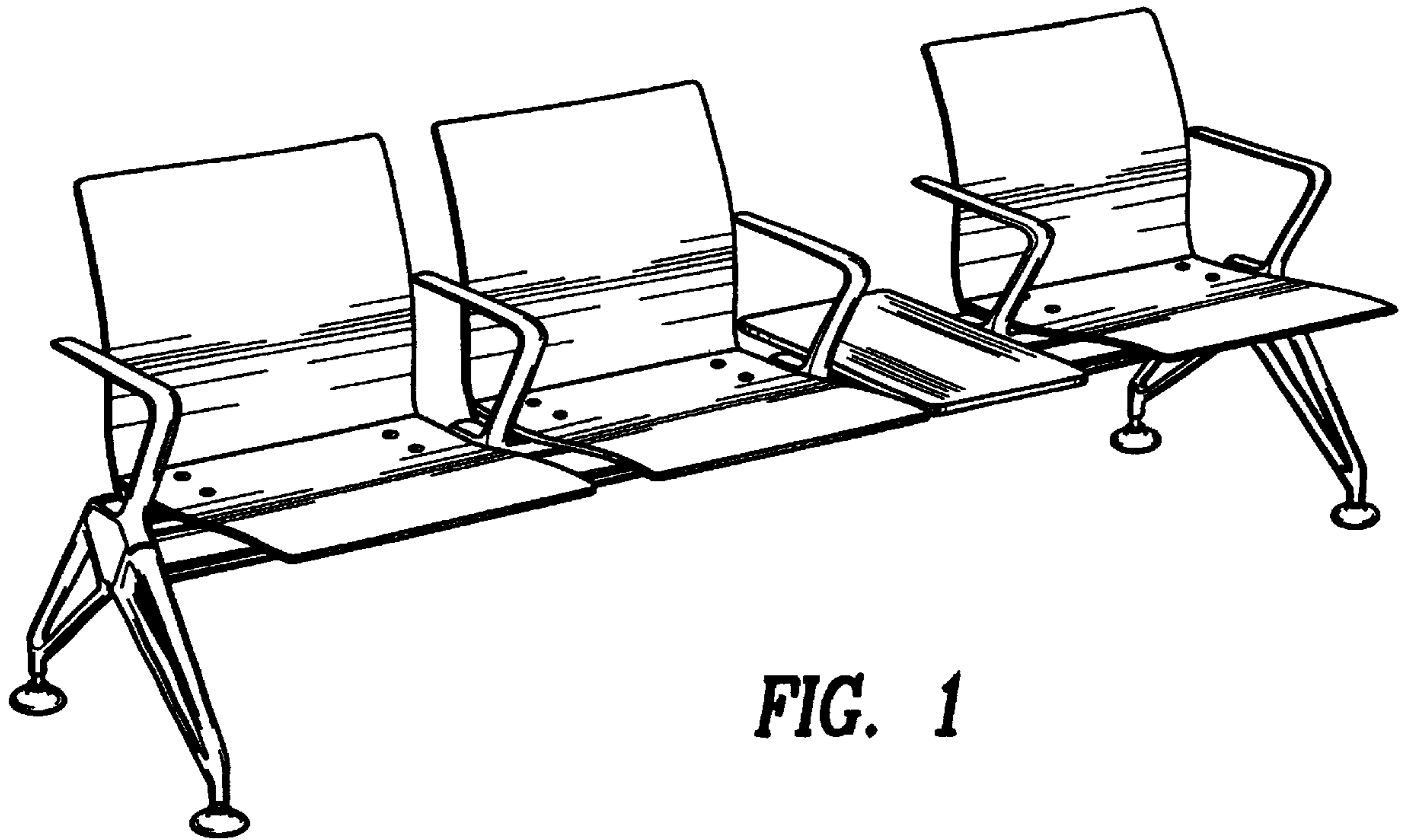
The ornamental design for seating for waiting areas, as shown.

**DESCRIPTION**

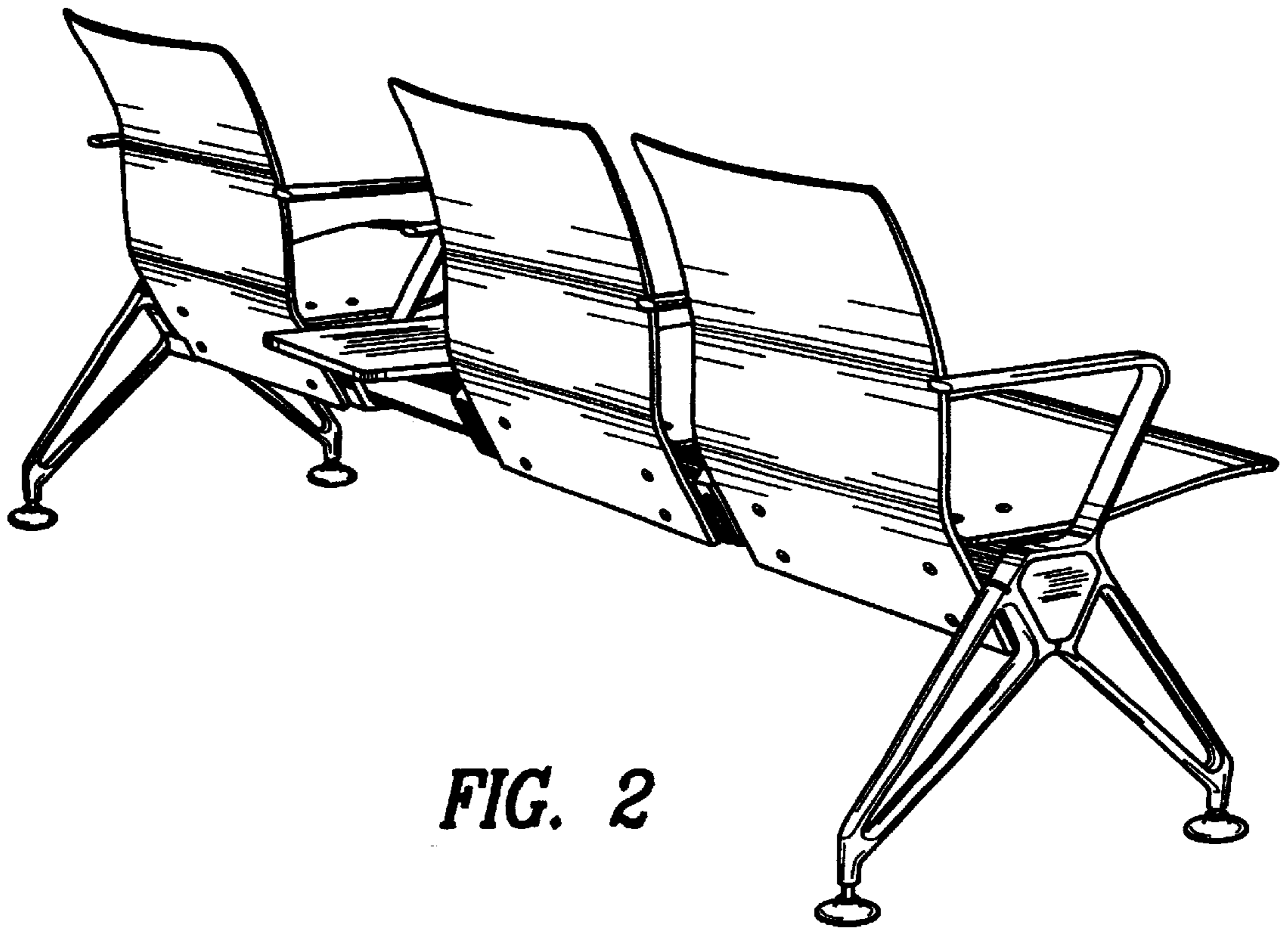
FIG. 1 is a front perspective view of seating for waiting areas showing my new design;  
 FIG. 2 is a rear perspective view thereof;  
 FIG. 3 is an enlarged front perspective view of an end portion thereof; and,  
 FIG. 4 is an enlarged rear perspective view of the end portion thereof.

**1 Claim, 2 Drawing Sheets**

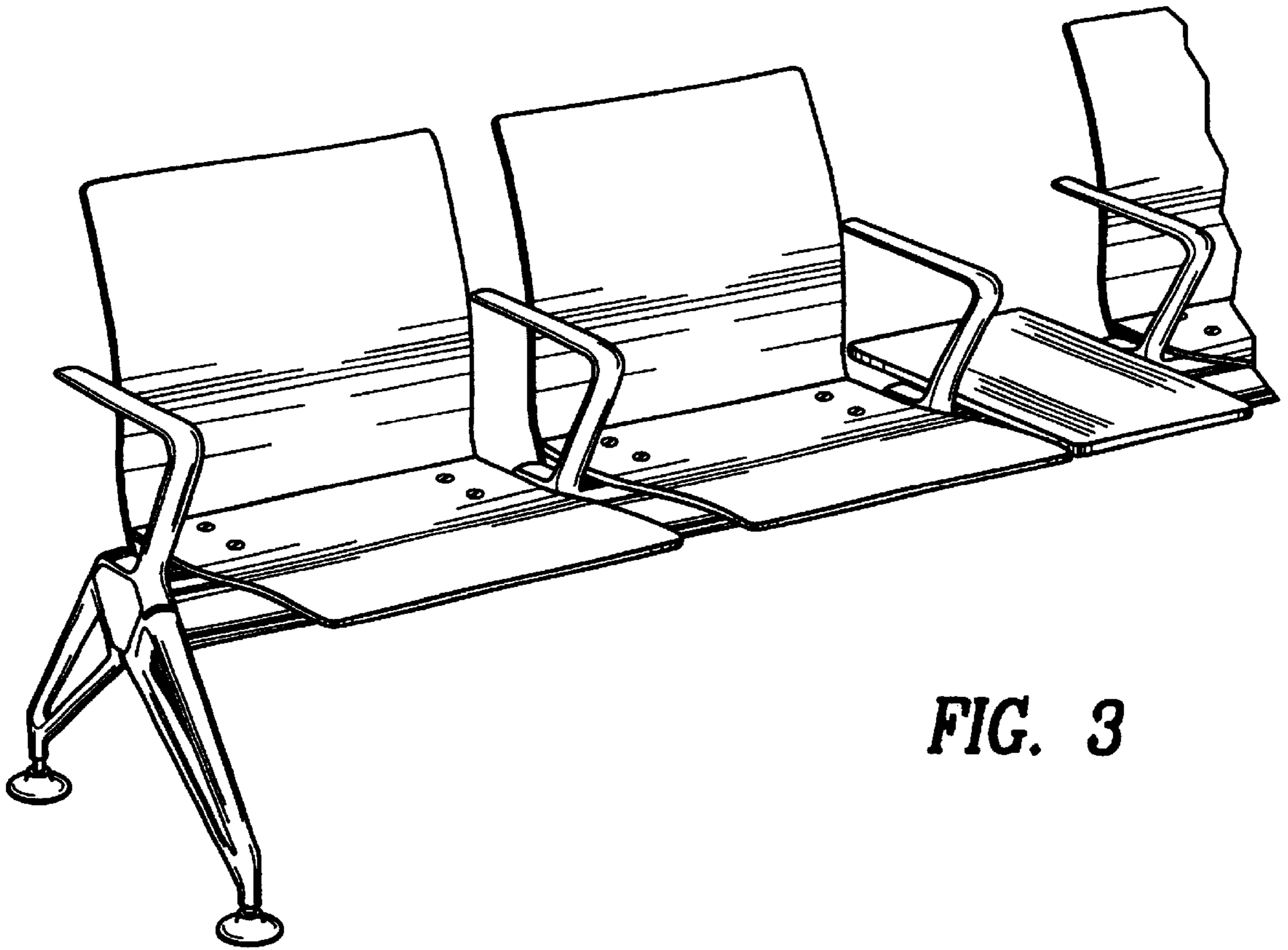




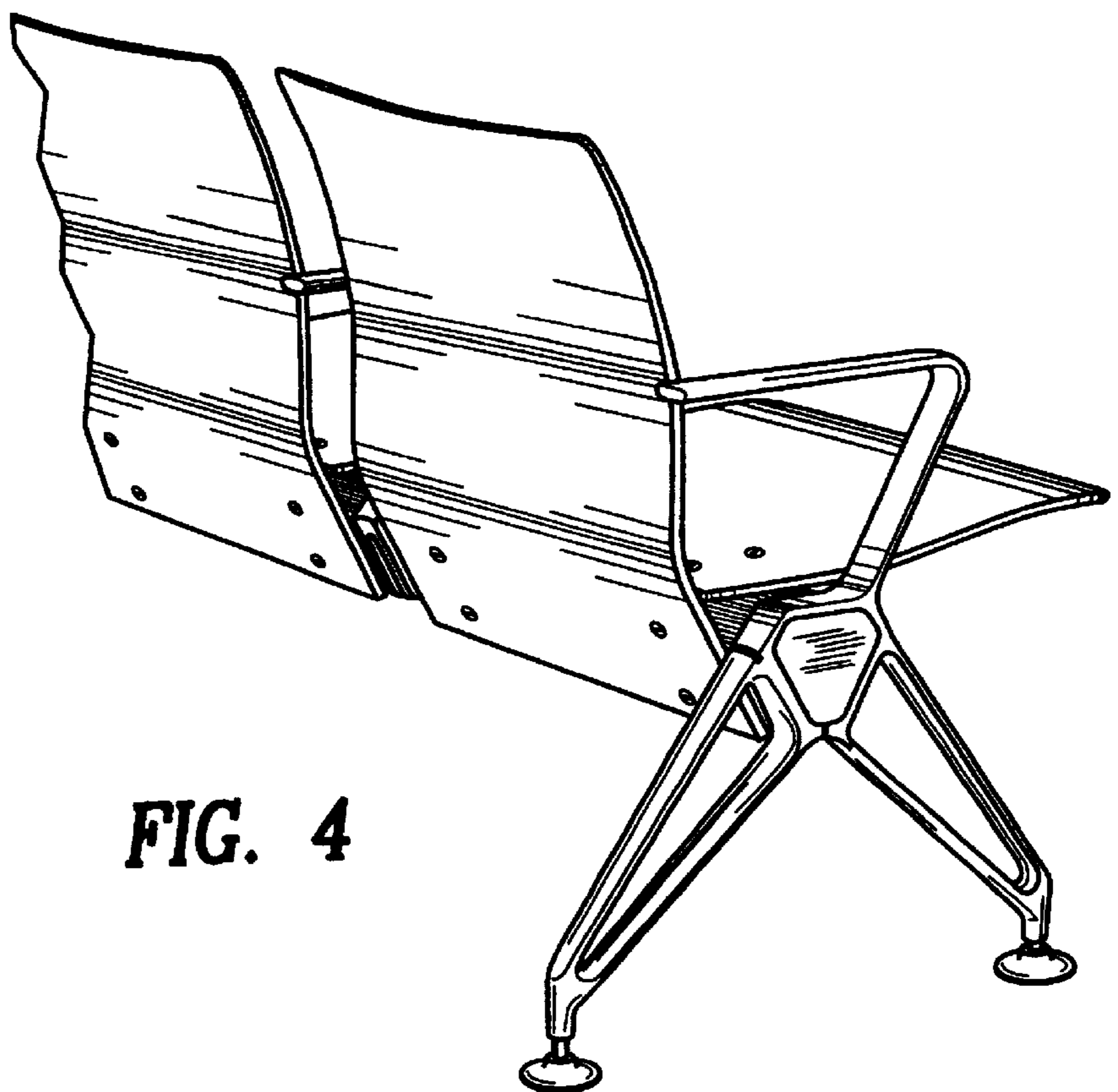
*FIG. 1*



*FIG. 2*



**FIG. 3**



**FIG. 4**