



US00D445568S

(12) **United States Design Patent**
Lippisch

(10) **Patent No.:** **US D445,568 S**

(45) **Date of Patent:** **** Jul. 31, 2001**

(54) **CONTAINER**

(75) Inventor: **Hangwind F. Lippisch**, Fitchburg, MA
(US)

(73) Assignee: **Sterilite Corporation**, Townsend, MA
(US)

(**) Term: **14 Years**

(21) Appl. No.: **29/118,151**

(22) Filed: **Feb. 3, 2000**

(51) **LOC (7) Cl.** **03-01**

(52) **U.S. Cl.** **D3/273; D9/425**

(58) **Field of Search** D3/272, 273, 276,
D3/294, 302, 905; D9/420, 418, 423, 424,
425; 206/508, 518, 503; 312/111

(56) **References Cited**

U.S. PATENT DOCUMENTS

- D. 218,658 * 9/1970 Perkins D3/302
- D. 241,229 * 8/1976 Gustaffsson D9/425
- D. 302,774 * 8/1989 Murphy D9/425
- D. 330,161 * 10/1992 Schuh D9/425

- D. 330,328 * 10/1992 DiSesa, Jr. D9/425
- D. 348,394 * 7/1994 Dreyer D9/424
- D. 349,646 * 8/1994 Dickinson D9/423
- D. 370,345 * 6/1996 Wolff D9/425
- D. 386,336 * 11/1997 Doughla D9/425
- D. 397,552 * 9/1998 Rutledge D9/425
- 5,816,674 * 10/1998 Manos et al. D9/425

* cited by examiner

Primary Examiner—Philip S. Hyder

(74) *Attorney, Agent, or Firm*—Hale and Dorr LLP

(57) **CLAIM**

I claim the ornamental design for a container, as shown and described.

DESCRIPTION

FIG. 1 is a perspective view of the container of this invention;

FIG. 2 is a front end view thereof;

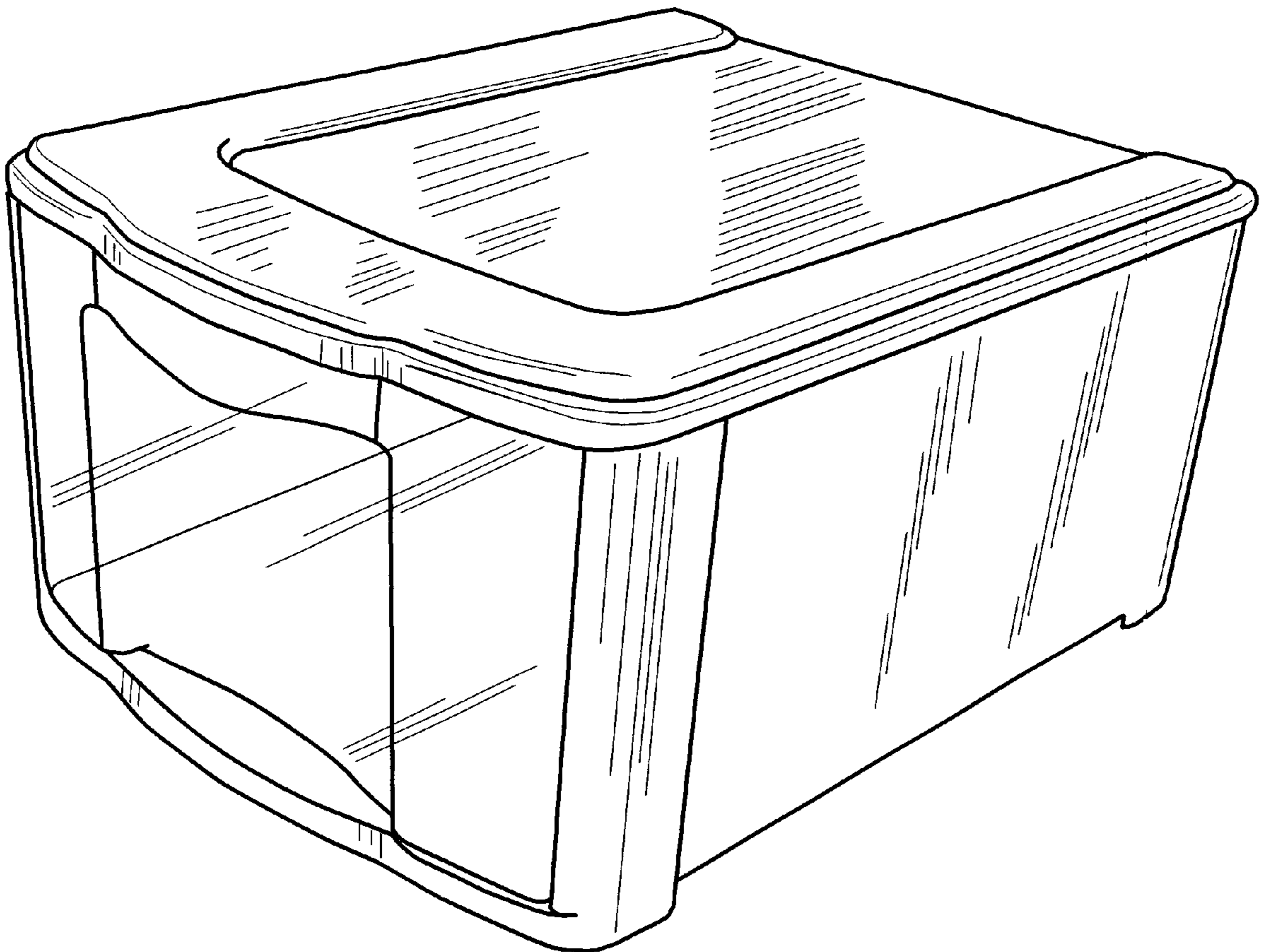
FIG. 3 is a bottom view thereof;

FIG. 4 is a top view thereof;

FIG. 5 is a rear end view thereof; and,

FIG. 6 is a side view thereof.

1 Claim, 3 Drawing Sheets



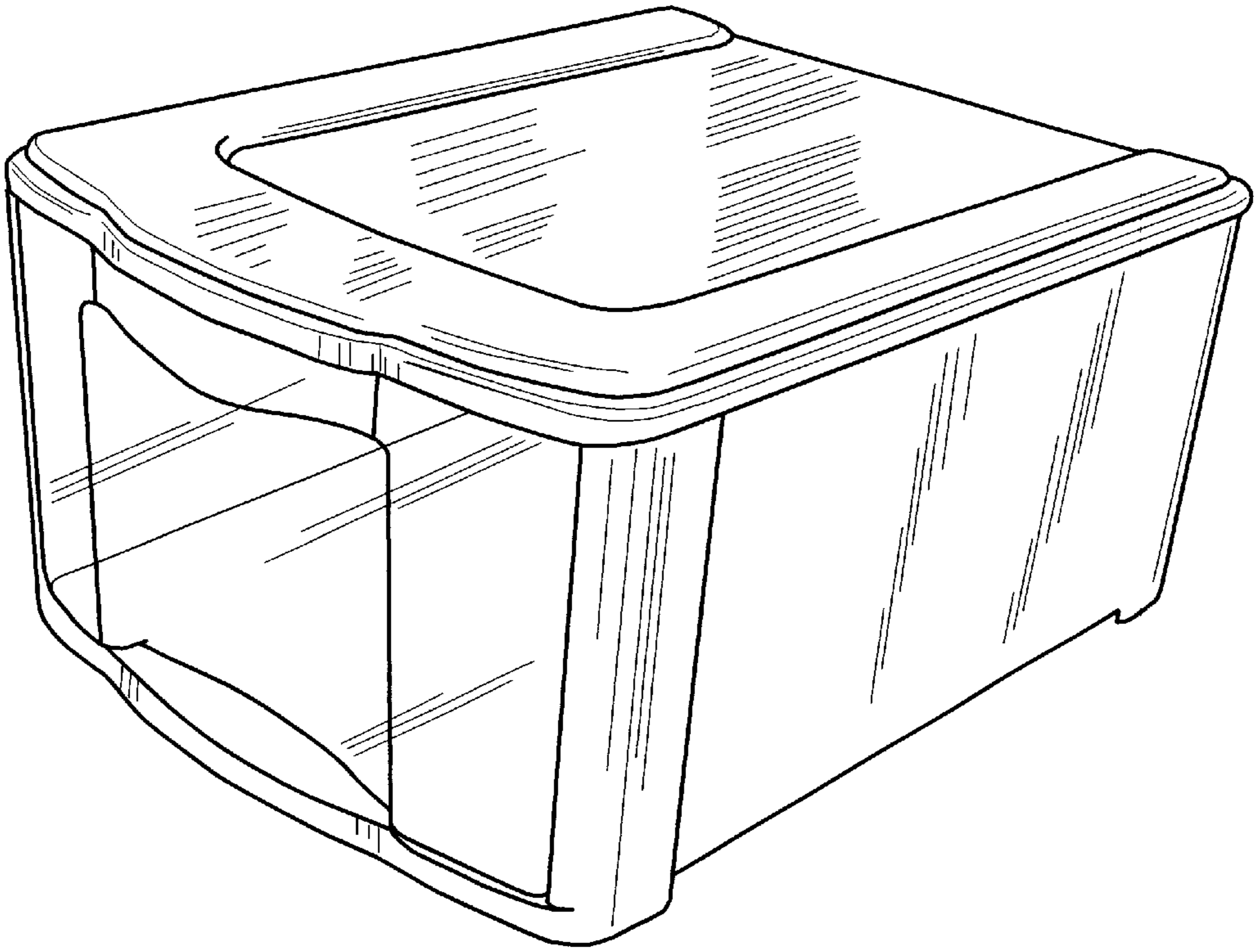


FIG. 1

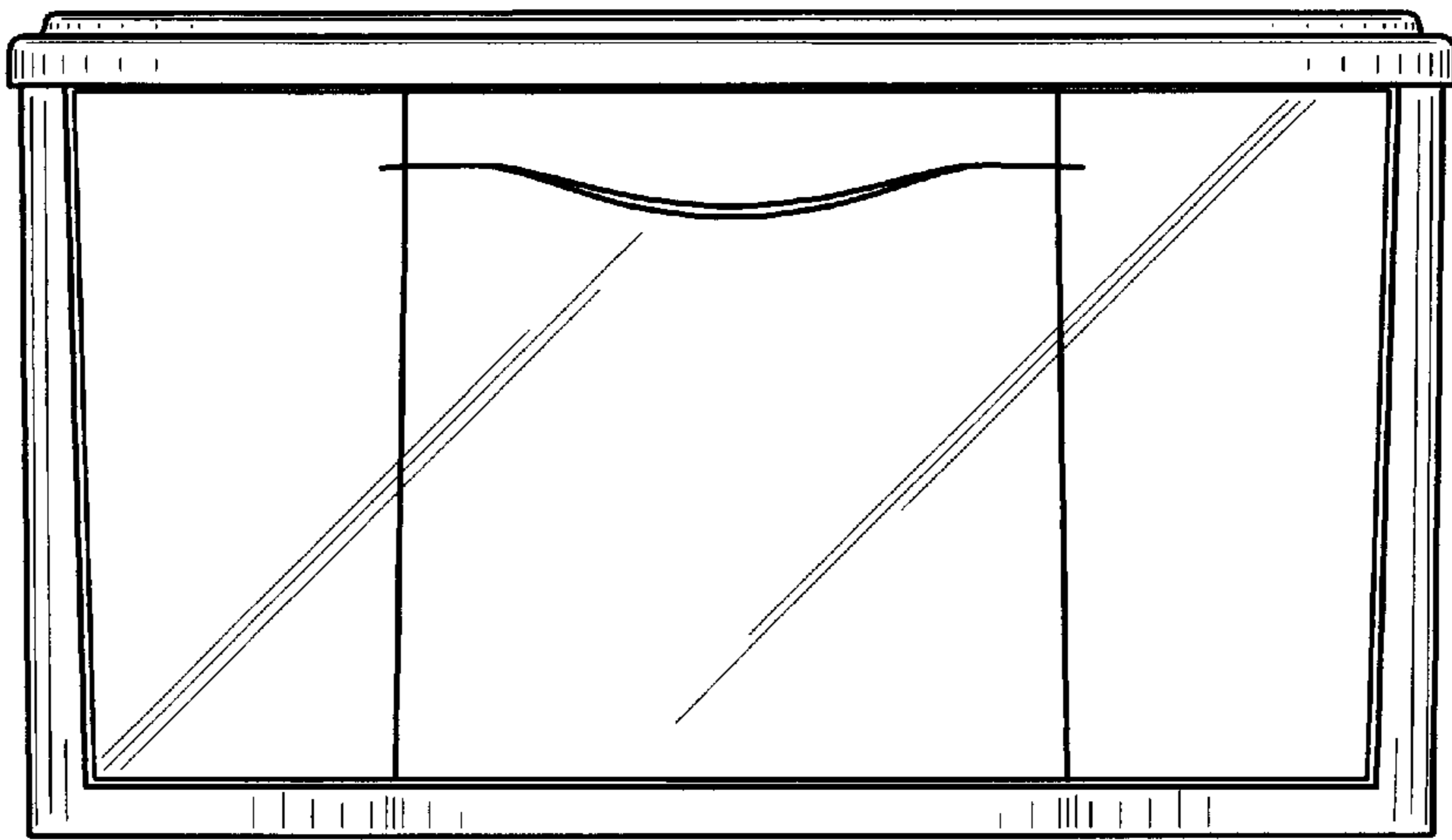


FIG. 2

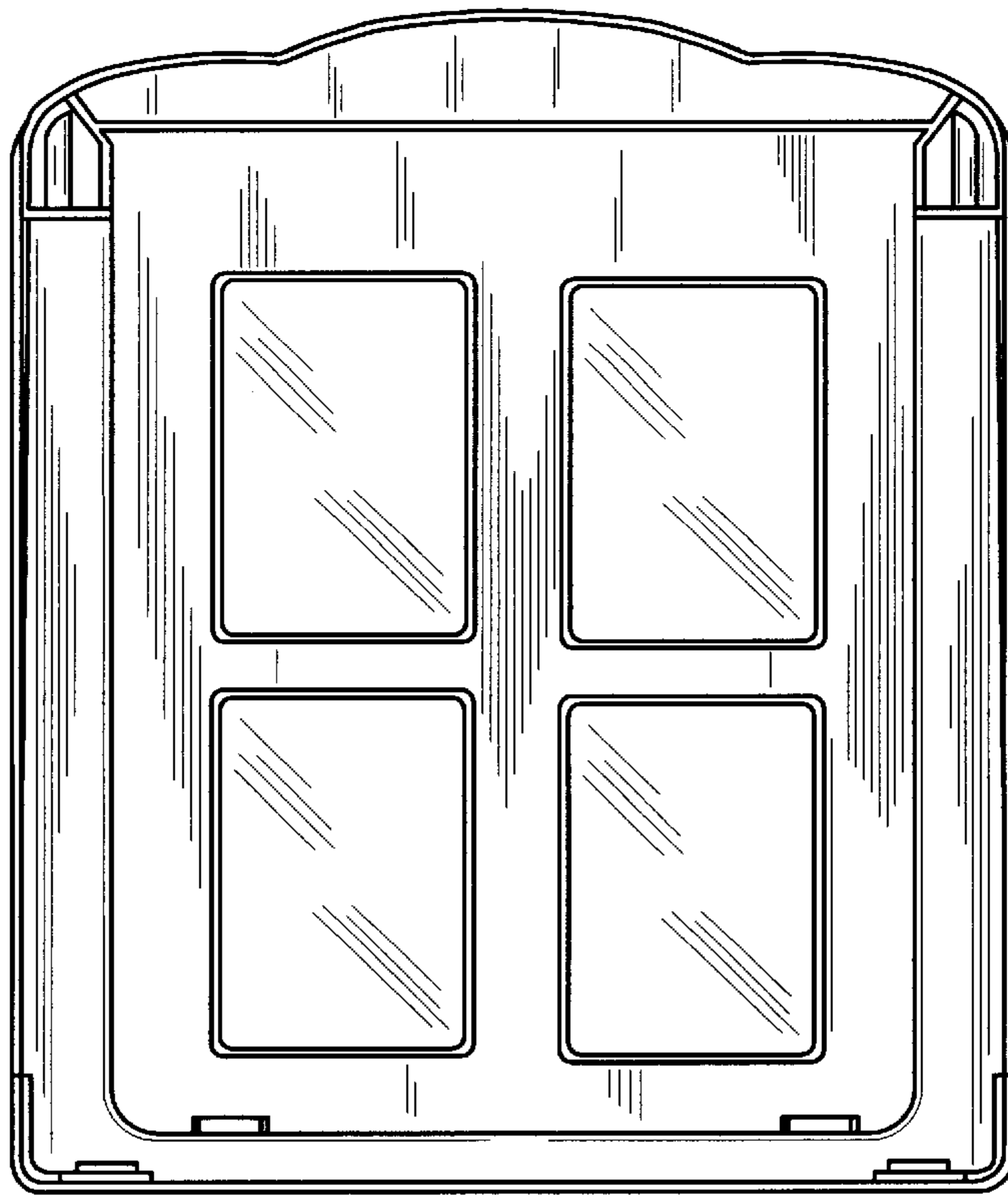


FIG. 3

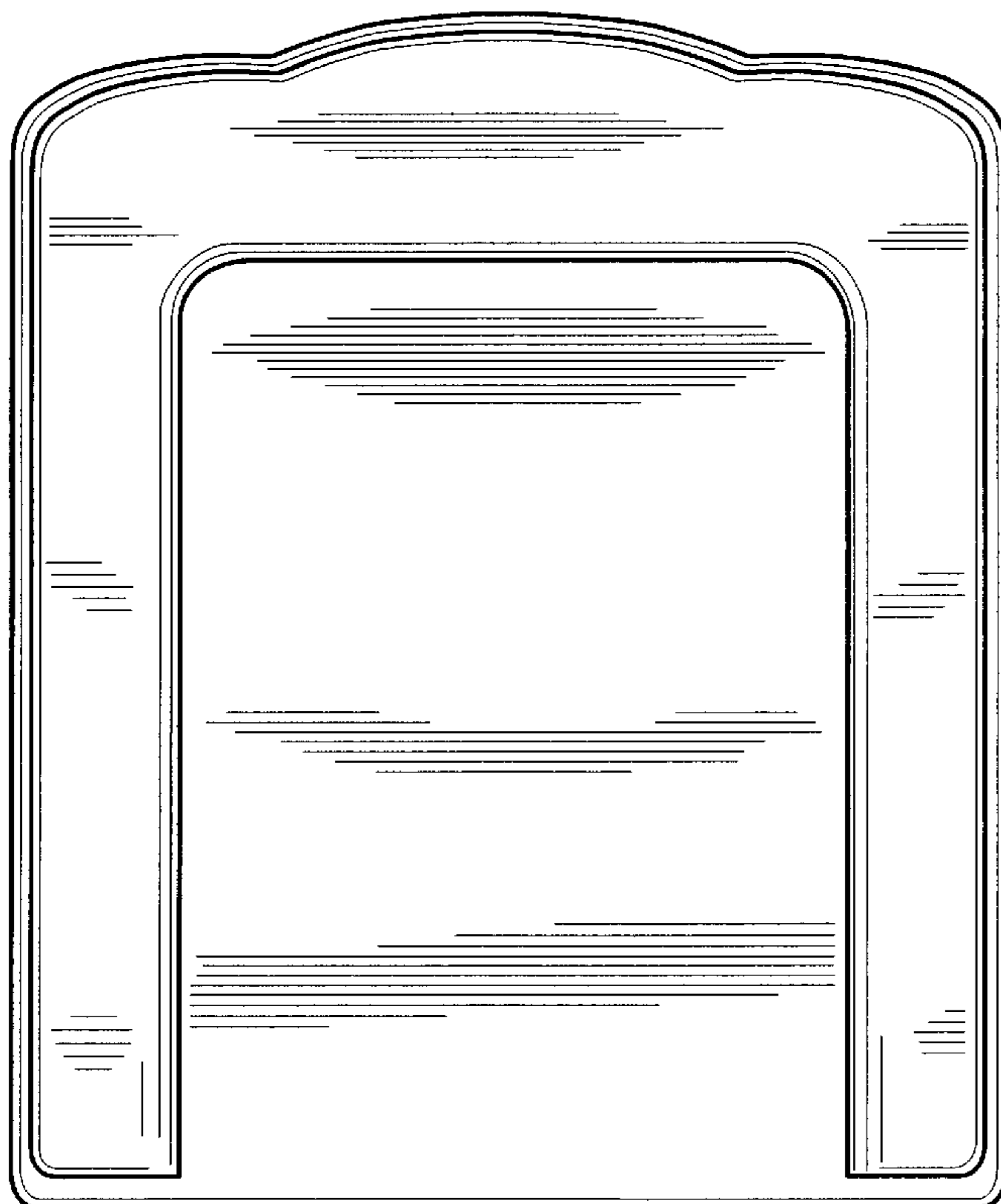


FIG. 4

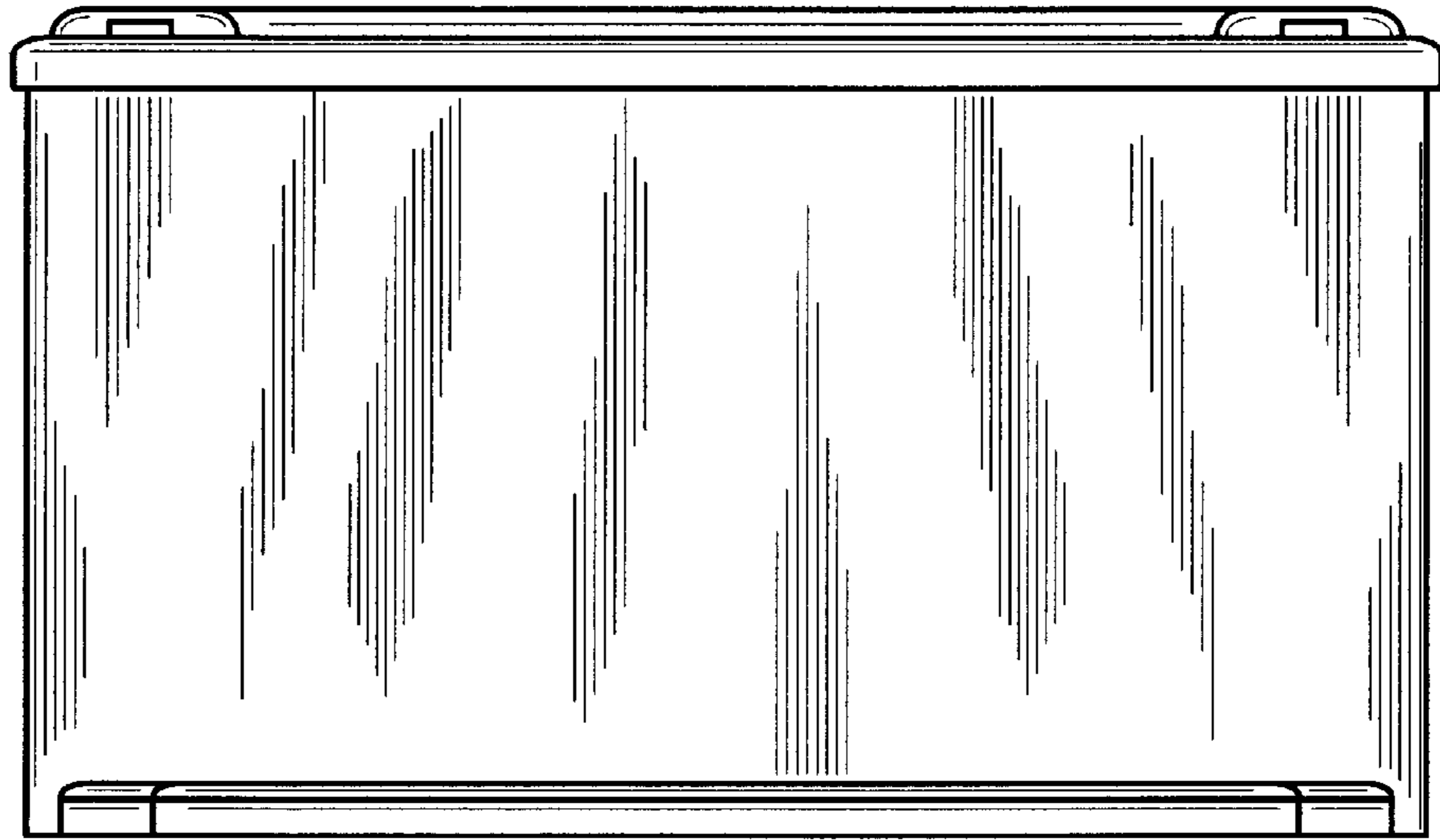


FIG. 5

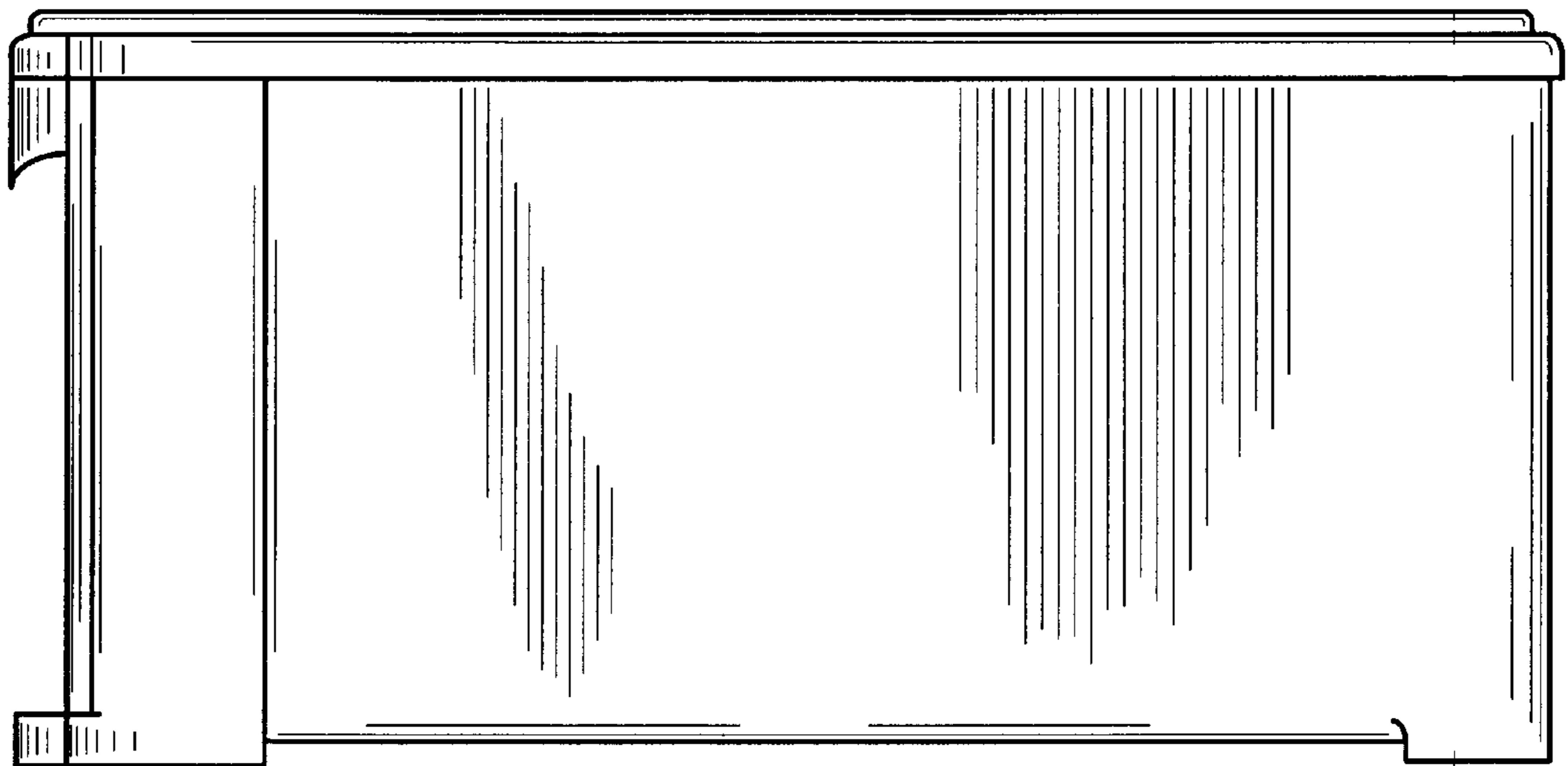


FIG. 6