



US00D445566S

(12) **United States Design Patent**
Austin

(10) **Patent No.:** **US D445,566 S**

(45) **Date of Patent:** **** Jul. 31, 2001**

(54) **PUTTY HOLDER FOR TOOL BELT**

6,168,061 * 1/2001 Harrison 224/666

(76) **Inventor:** **Christopher R. Austin, 5764**
Rosewood Dr., Myrtle Beach, SC (US)
29575

* cited by examiner

(**) **Term:** **14 Years**

Primary Examiner—Louis S. Zarfaz
Assistant Examiner—Catherine R Oliver
(74) *Attorney, Agent, or Firm*—Harleston Law Firm;
Kathleen M. Harleston

(21) **Appl. No.:** **29/126,185**

(57) **CLAIM**

(22) **Filed:** **Jul. 8, 2000**

The ornamental design for a putty holder for tool belt, as shown and described.

(51) **LOC (7) Cl.** **03-01**

(52) **U.S. Cl.** **D3/228**

(58) **Field of Search** D3/228, 215, 221,
D3/224, 226, 229; 224/904, 901, 918, 919,
666, 674, 250, 251; D21/796; 206/315.9

DESCRIPTION

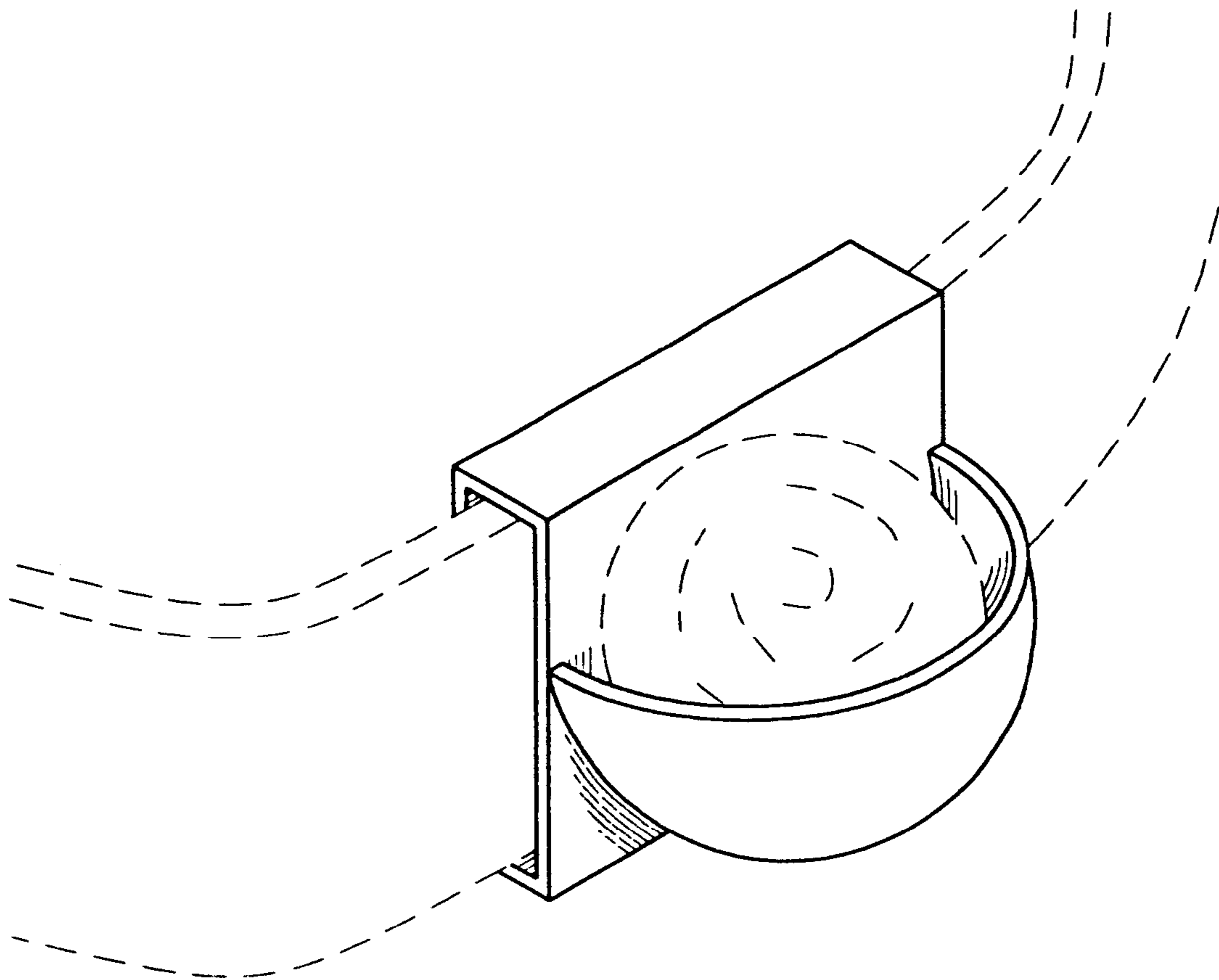
(56) **References Cited**

U.S. PATENT DOCUMENTS

D. 208,289	*	8/1967	Feurerer	D3/229
D. 242,402	*	11/1976	Bratene	D3/229
D. 271,413	*	11/1983	Munroe	D3/221
D. 286,949	*	12/1986	Hardman	D3/229
D. 360,974	*	8/1995	Stalling	D3/221
6,003,747	*	12/1999	Lee	224/250

FIG. 1 is a front perspective view of a putty holder, showing my new design;
FIG. 2 is a front perspective view of a putty holder, showing my new design;
FIG. 3 is a top plan view thereof;
FIG. 4 is a front elevational view thereof;
FIG. 5 is a left side elevational view thereof, the right side being a mirror image of the left side; and,
FIG. 6 is a rear elevational view thereof.

1 Claim, 3 Drawing Sheets



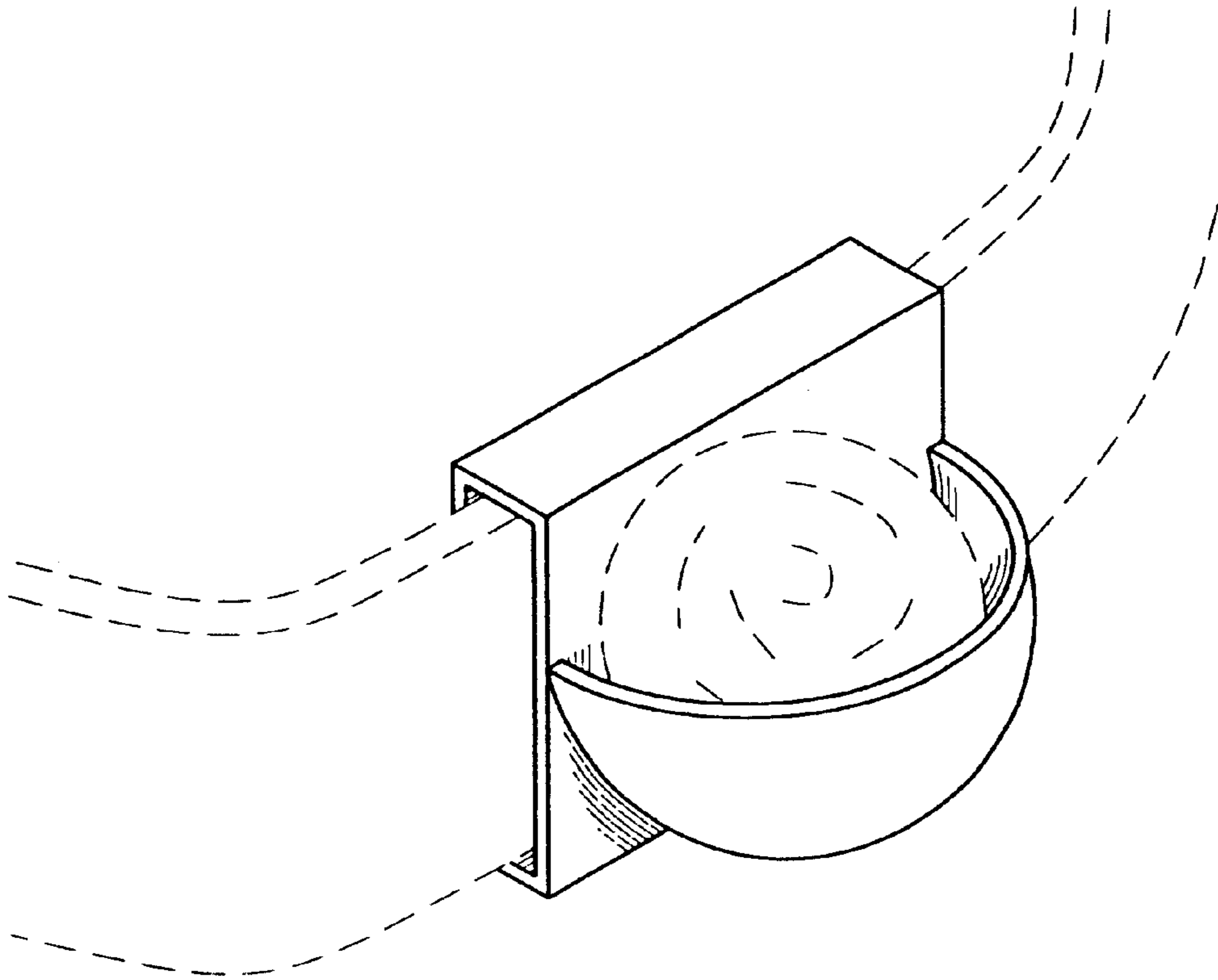


FIG. 1

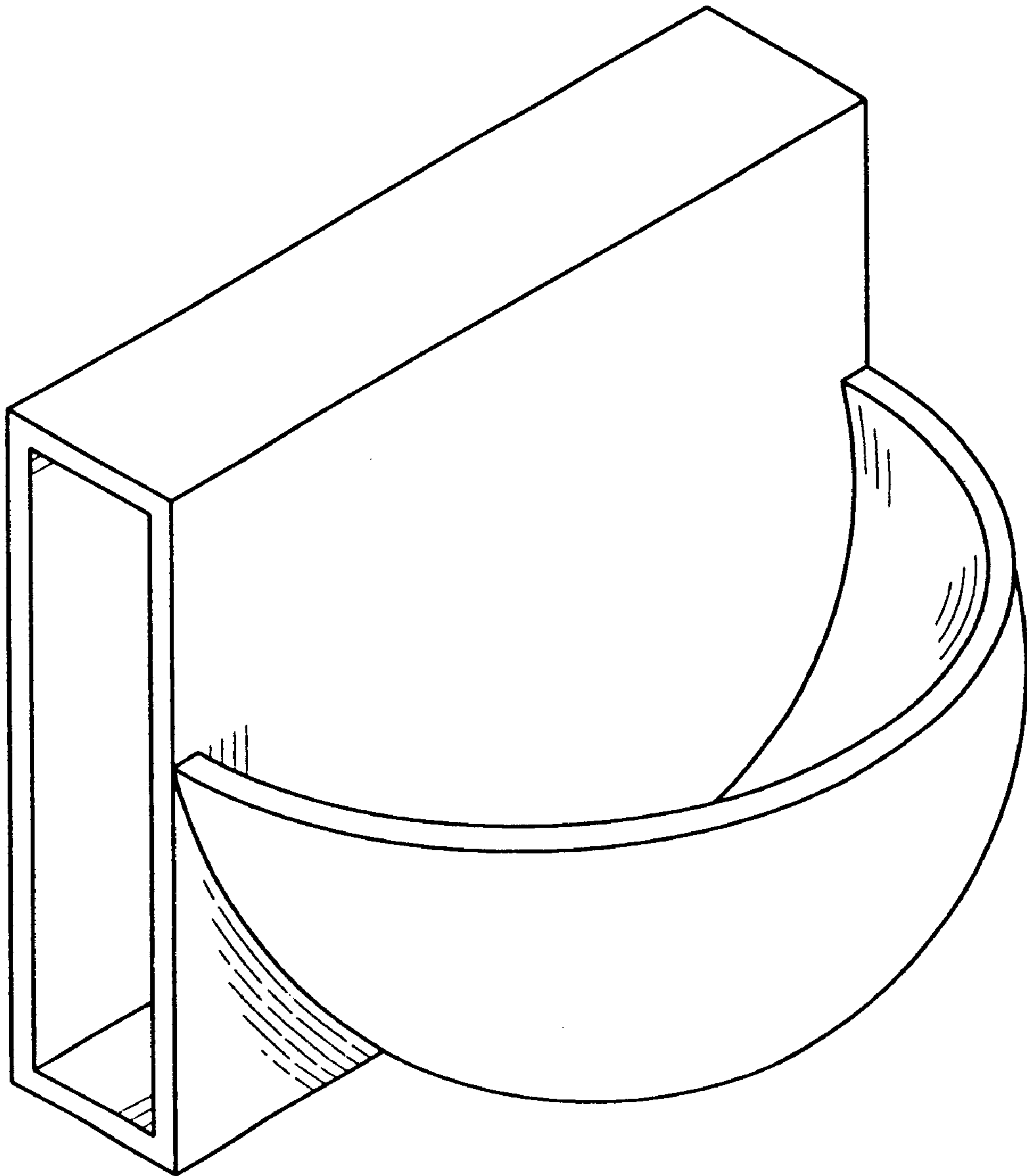


FIG. 2

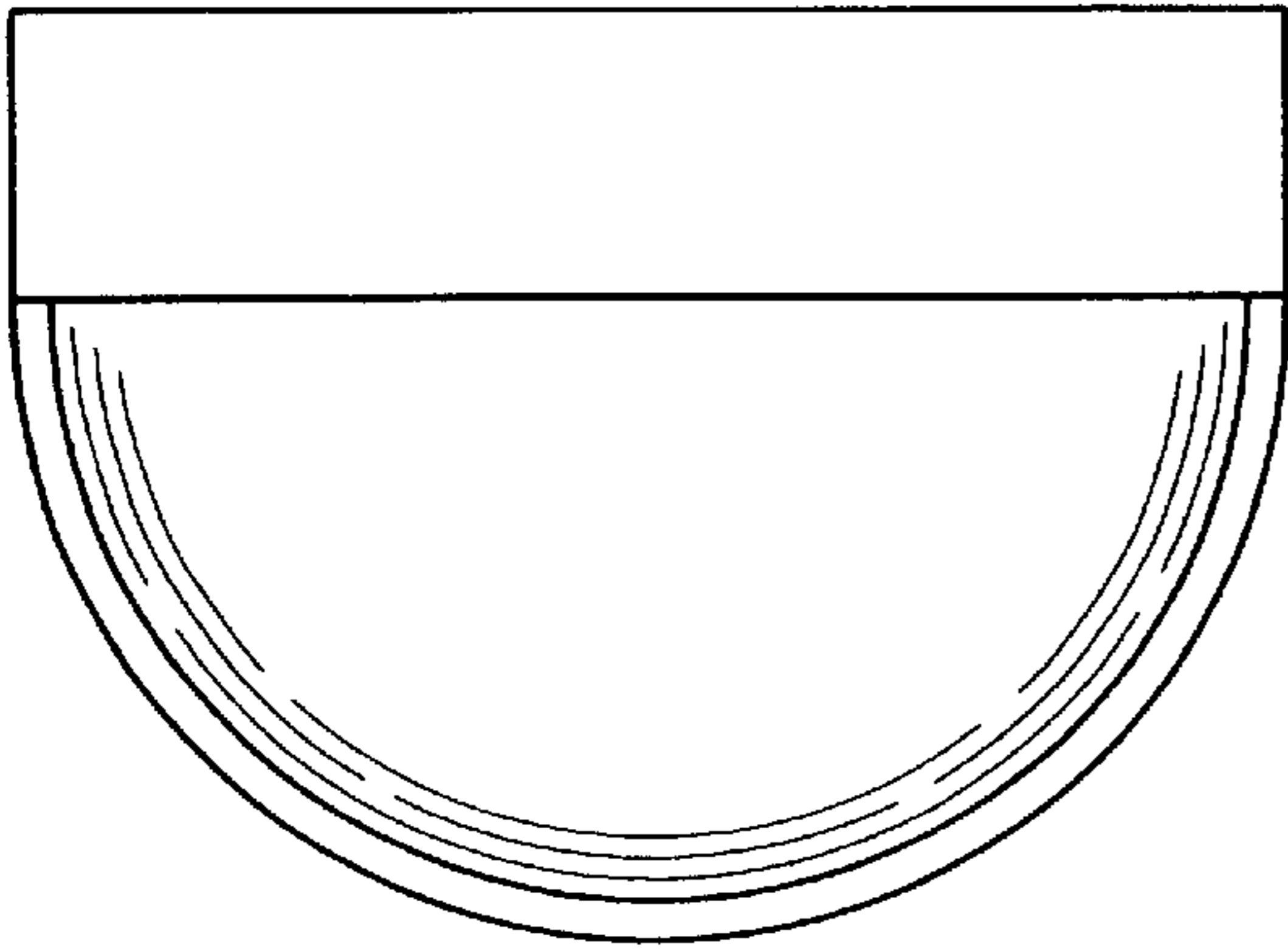


FIG. 3

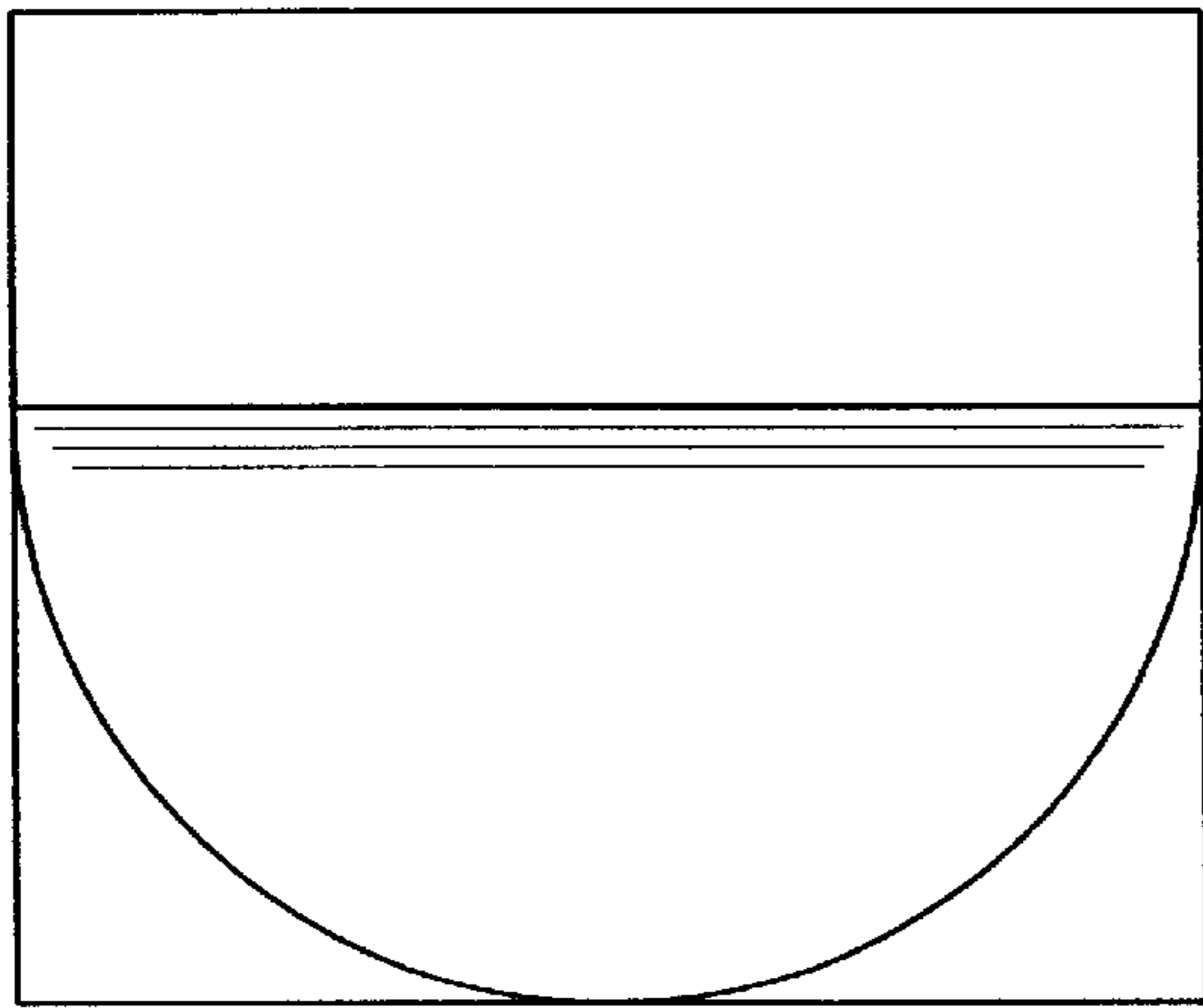


FIG. 4

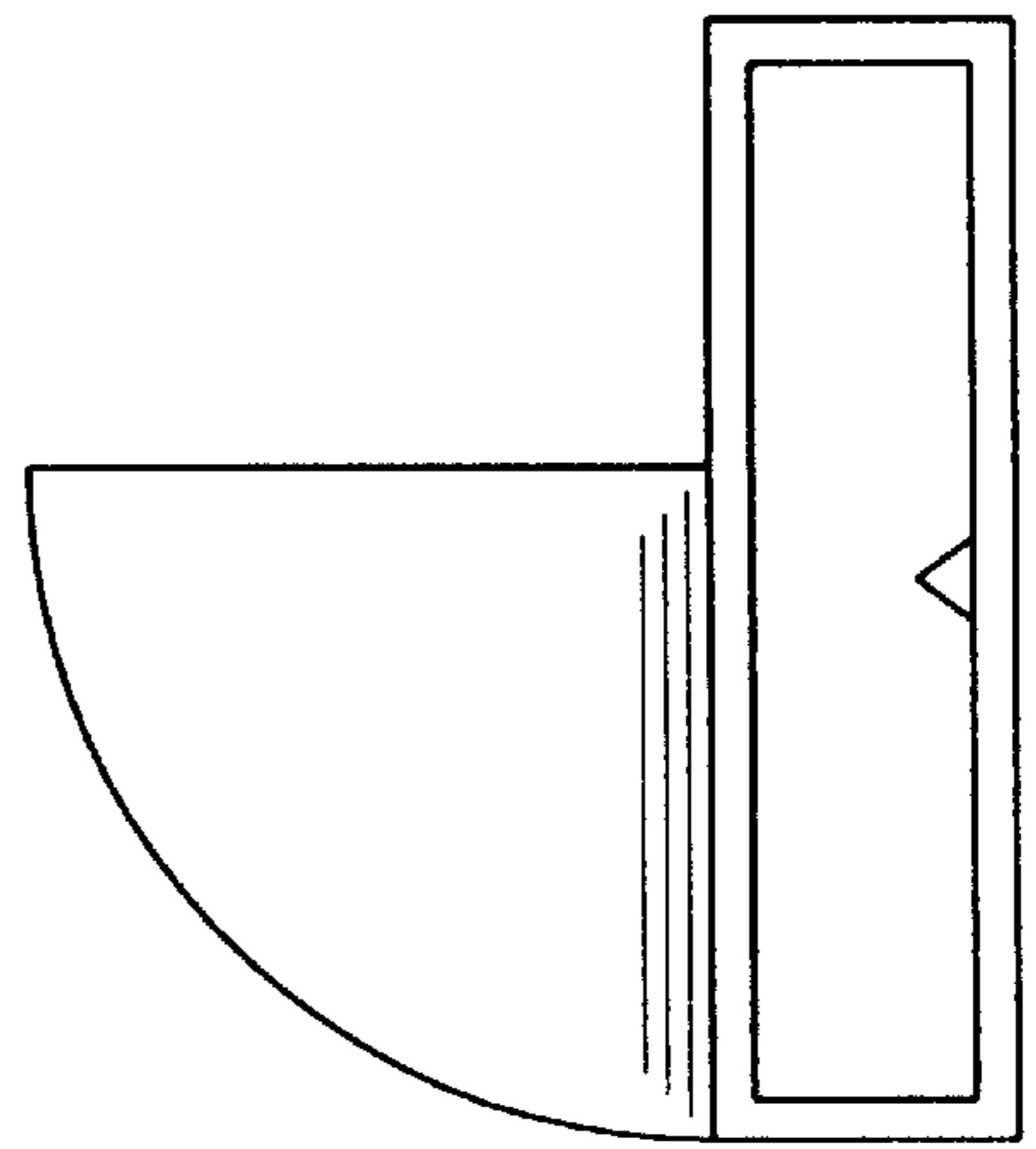


FIG. 5

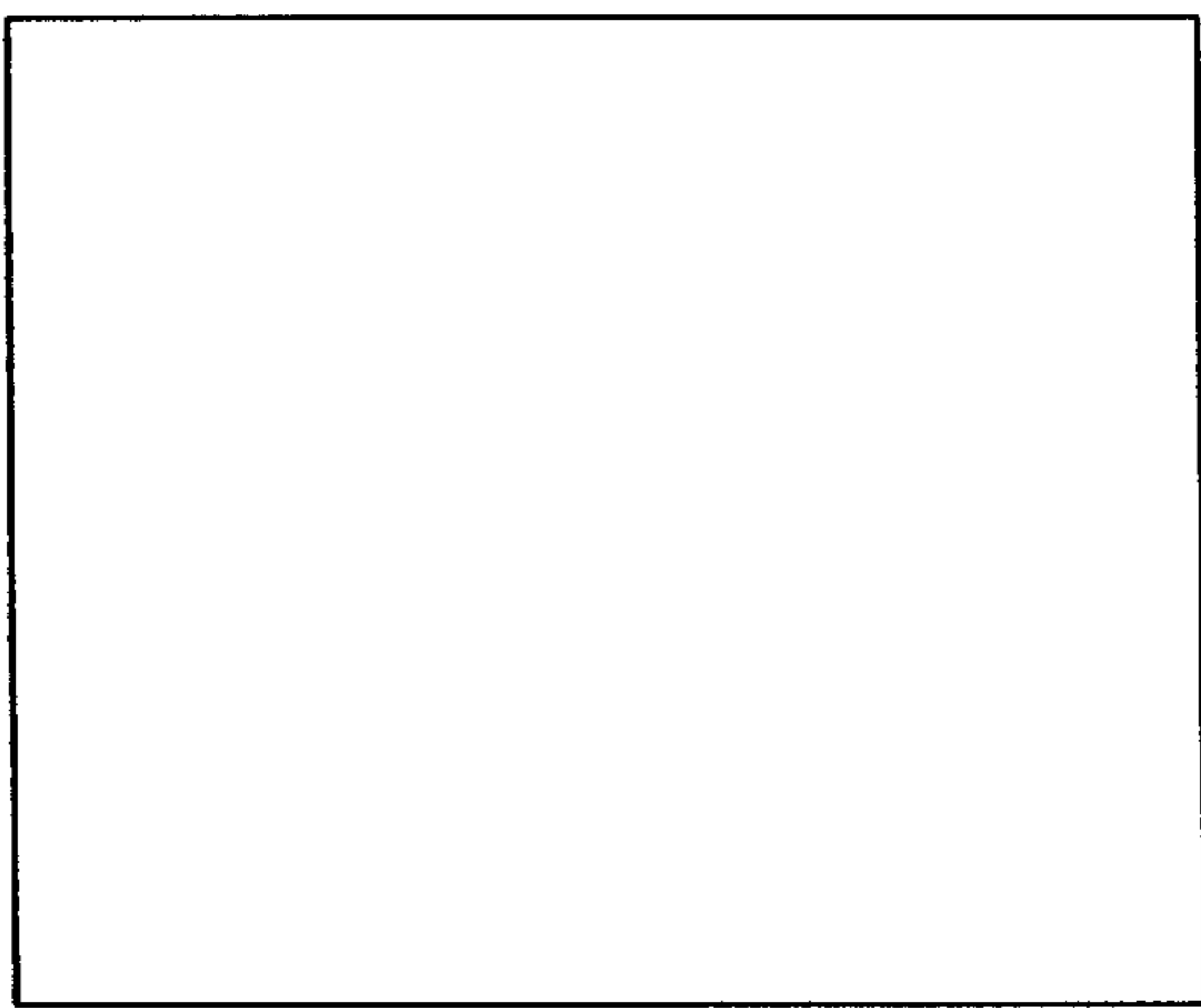


FIG. 6