



US00D445565S

(12) **United States Design Patent**  
**Ketterhagen**

(10) **Patent No.:** **US D445,565 S**

(45) **Date of Patent:** **\*\* Jul. 31, 2001**

(54) **CRAYON CONTAINER**

(75) **Inventor:** **Casey Ketterhagen**, Milwaukee, WI (US)

(73) **Assignee:** **Berol Corporation**, Freeport, IL (US)

(\*\*) **Term:** **14 Years**

(21) **Appl. No.:** **29/128,235**

(22) **Filed:** **Aug. 18, 2000**

(51) **LOC (7) Cl.** ..... **03-01**

(52) **U.S. Cl.** ..... **D3/206**

(58) **Field of Search** ..... D3/301, 206; D19/75, D19/35, 81, 85; 206/224, 371, 443; 401/49, 55, 88

(56) **References Cited**

**U.S. PATENT DOCUMENTS**

D. 277,335	1/1985	Lieberman	.....	D3/44
D. 315,446	3/1991	Dietterich et al.	.....	D3/74
D. 320,413	10/1991	Dietterich et al.	.....	D19/85
D. 330,045	10/1992	Dietterich et al.	.....	D19/36
D. 331,258	11/1992	Tarozzi	.....	D19/35
D. 332,468	1/1993	Tarozzi	.....	D19/85
D. 334,946	4/1993	Tarozzi	.....	D19/77
D. 338,496	8/1993	Tarozzi	.....	D19/85
D. 343,417	1/1994	Tarozzi	.....	D19/36
D. 344,975	3/1994	Tarozzi	.....	D19/36
D. 345,581 *	3/1994	Popovits	.....	401/88
D. 345,692	4/1994	Franekic et al.	.....	D9/307
D. 351,504	10/1994	Tarozzi	.....	D3/276
D. 351,727	10/1994	Tarozzi	.....	D3/276
D. 353,840	12/1994	Dietterich et al.	.....	D19/85
D. 354,311	1/1995	Tarozzi	.....	D19/82
D. 354,518	1/1995	Dietterich et al.	.....	D19/82
D. 356,334	3/1995	Kroop et al.	.....	D19/36
D. 356,823	3/1995	Tarozzi	.....	D19/36
D. 356,829	3/1995	Russomano et al.	.....	D19/77
D. 360,649	7/1995	Volk et al.	.....	D19/36
D. 360,894	8/1995	Volk et al.	.....	D19/36
D. 364,893	12/1995	Willard et al.	.....	D19/82
D. 374,349	10/1996	Cziraky et al.	.....	D3/315
D. 374,467	10/1996	Cziraky et al.	.....	D21/130
D. 384,501	10/1997	Rosen	.....	D3/282

D. 390,357	2/1998	Rosen	.....	D3/282
D. 399,134	10/1998	Lidle, Jr.	.....	D9/346
D. 423,772 *	5/2000	Cooper et al.	.....	D3/201 X
2,503,379 *	4/1950	Davis	.....	206/443
3,905,529 *	9/1975	Leu	.....	206/443
4,176,763	12/1979	Klara et al.	.....	221/93
4,449,304	5/1984	Underwood	.....	33/437
5,002,182 *	3/1991	McGinnis	.....	206/224 X
5,069,361 *	12/1991	Jeffway, Jr. et al.	.....	206/371 X
5,103,969	4/1992	Tarozzi	.....	206/1.7
5,190,151	3/1993	Dietterich	.....	206/214
5,248,030	9/1993	Tarozzi	.....	206/1.7
5,388,689	2/1995	Kroop et al.	.....	206/214
5,441,149	8/1995	Willard et al.	.....	206/214
5,533,900	7/1996	Volk	.....	434/87
5,676,240	10/1997	Cziraky et al.	.....	206/1.7

\* cited by examiner

*Primary Examiner*—Louis S. Zarfes

*Assistant Examiner*—Monica A. Weingart

(74) *Attorney, Agent, or Firm*—Foley & Lardner

(57) **CLAIM**

I claim the ornamental design for the crayon container, as shown and described.

**DESCRIPTION**

FIG. 1 is a top view of a crayon container;  
FIG. 2 is a bottom view of the crayon container shown in FIG. 1;  
FIG. 3 is a front view of the crayon container shown in FIG. 1;  
FIG. 4 is a back view of the crayon container shown in FIG. 1;  
FIG. 5 is a left view of the crayon container shown in FIG. 1;  
FIG. 6 is a right view of the crayon container shown in FIG. 1; and,  
FIG. 7 is an isometric view of the crayon container shown in FIG. 1.

The broken lines showing portions of the crayon container in FIGS. 1–7 are for illustrative purposes only and form no part of the claimed design.

**1 Claim, 3 Drawing Sheets**

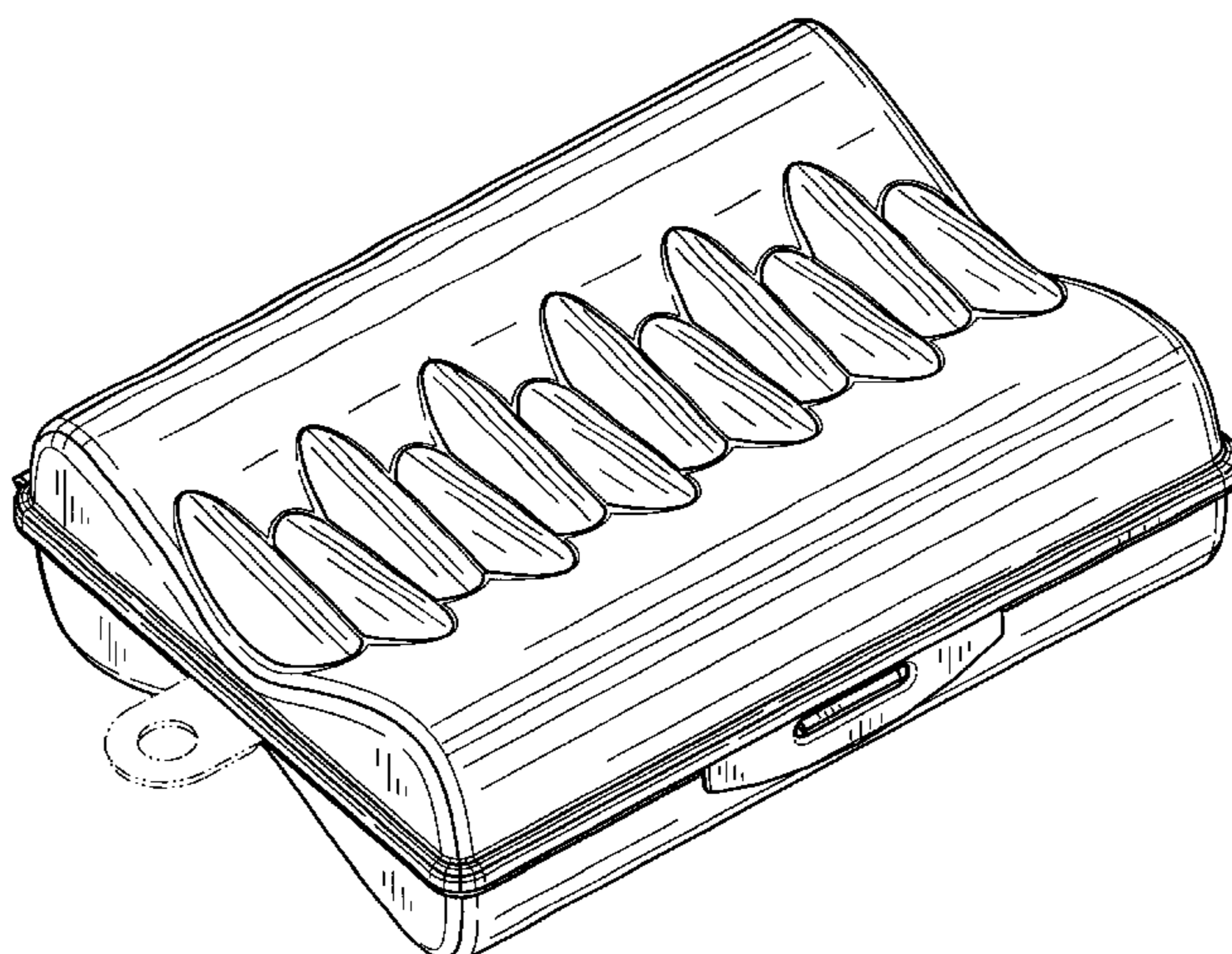


FIG. 1

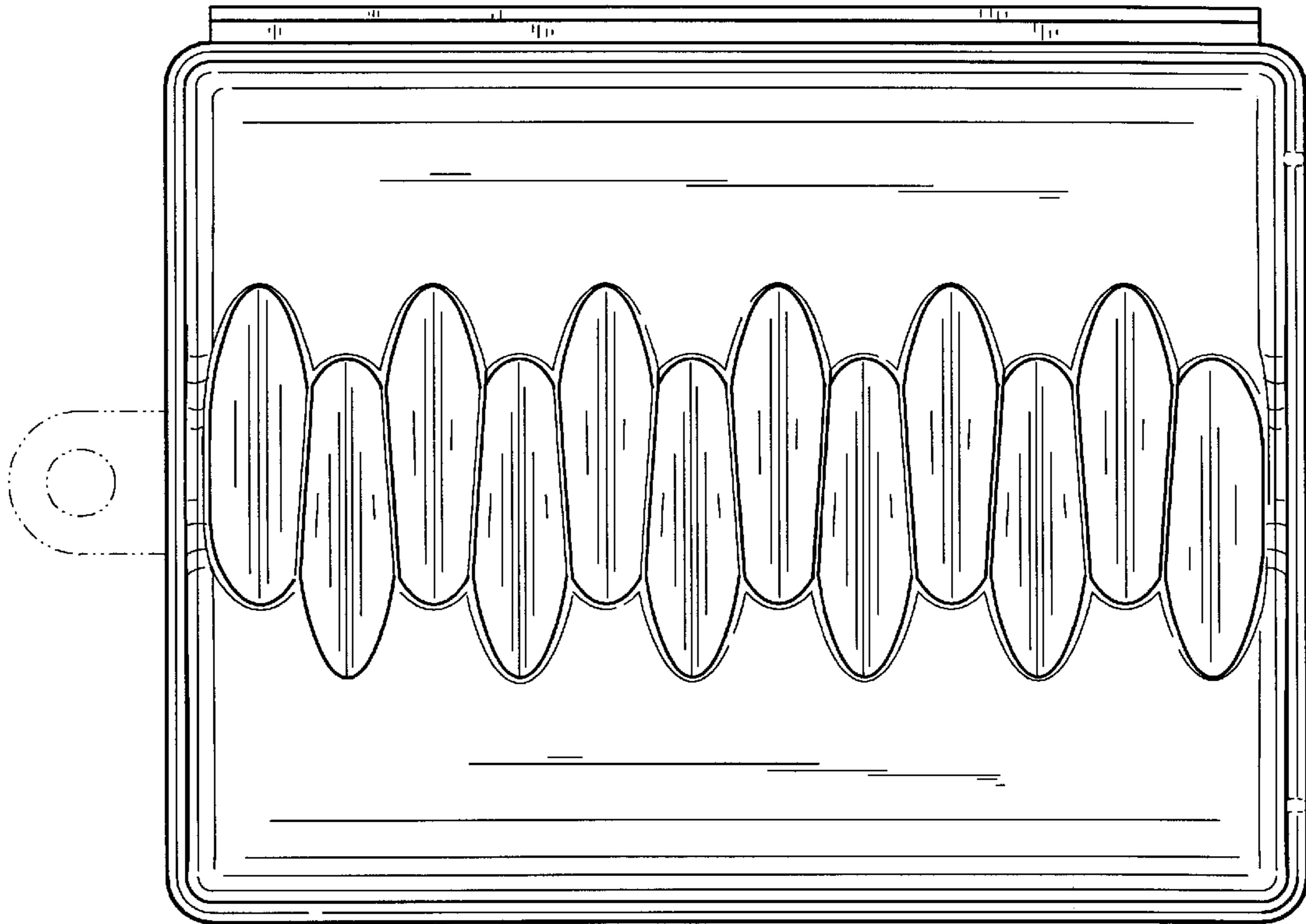


FIG. 2

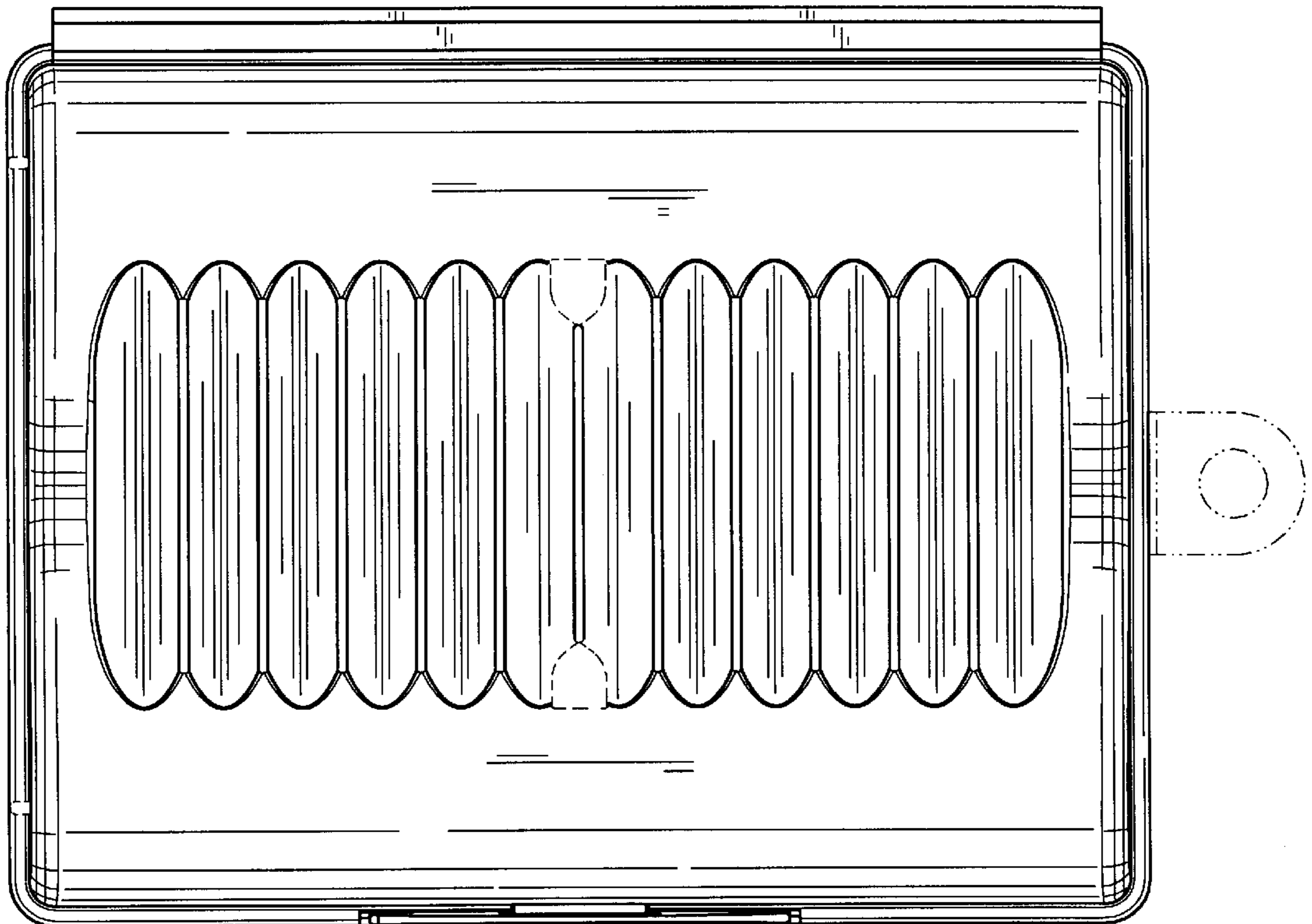


FIG. 3

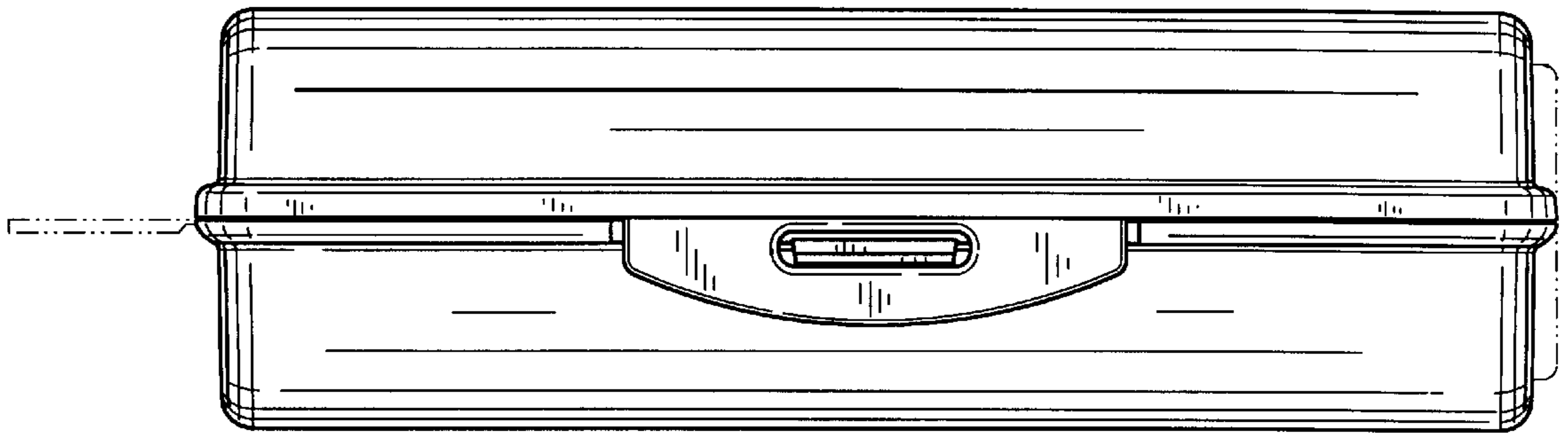


FIG. 4

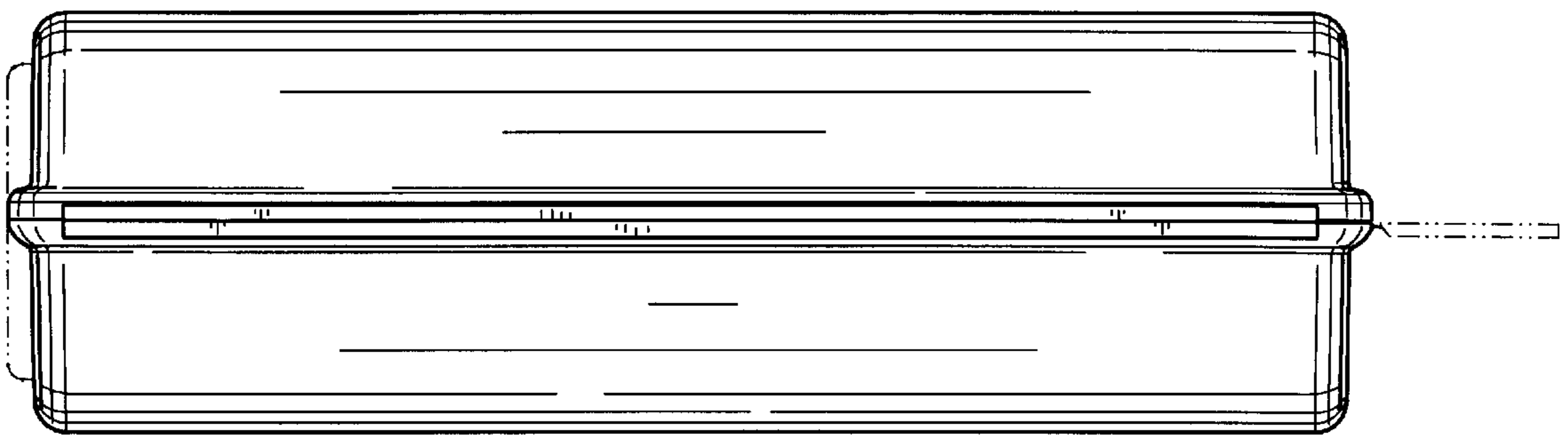


FIG. 5

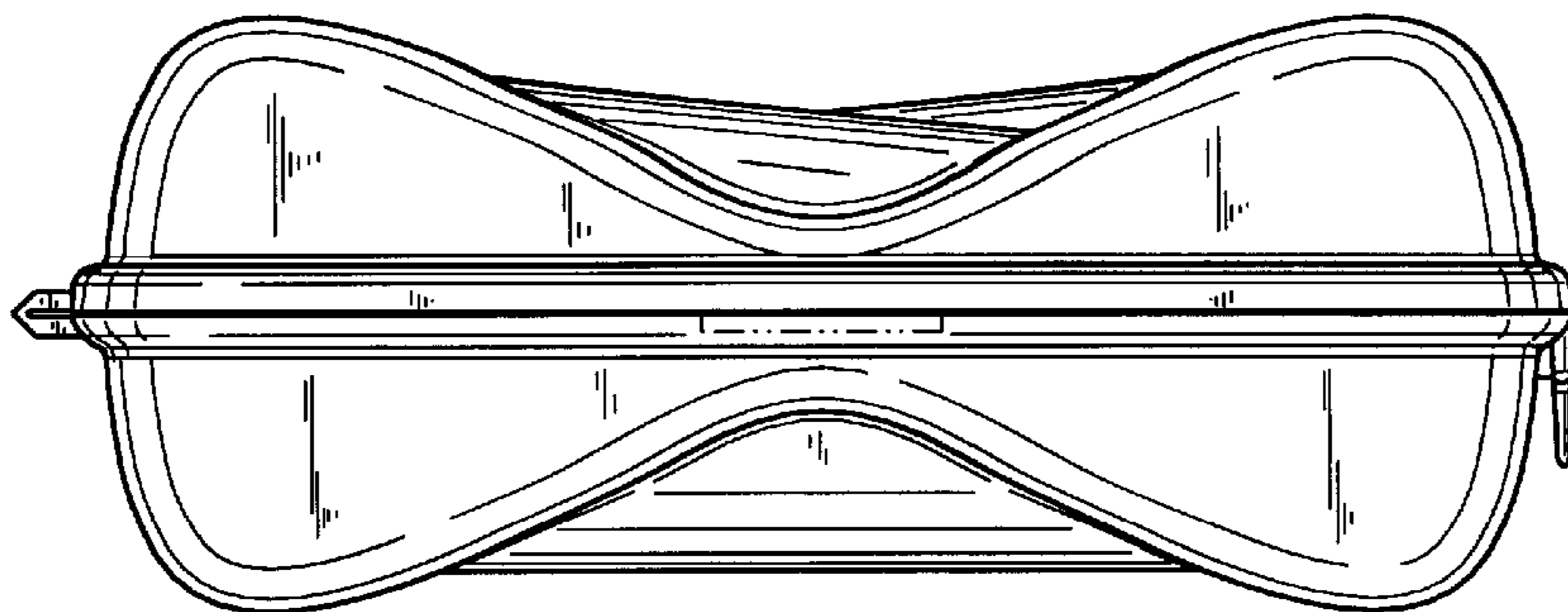


FIG. 6

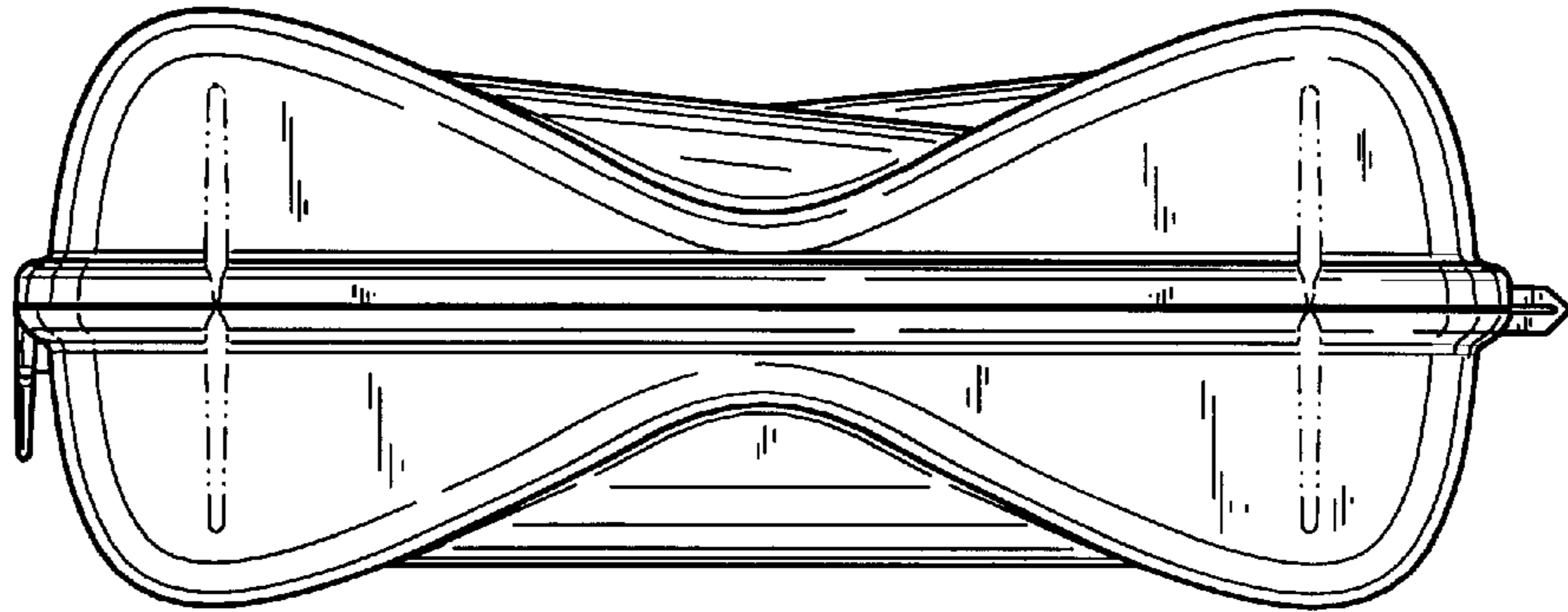


FIG. 7

