



US00D445564S

(12) **United States Design Patent**  
**Brookhouse**

(10) **Patent No.:** **US D445,564 S**

(45) **Date of Patent:** **\*\* Jul. 31, 2001**

(54) **ROLL-UP PENCIL CASE**

(75) Inventor: **Geoff Joseph Brookhouse**, Umina (AU)

(73) Assignee: **Gefkel Pty Ltd**, Umina (AU)

(\*\*) Term: **14 Years**

(21) Appl. No.: **29/127,886**

(22) Filed: **Aug. 14, 2000**

(30) **Foreign Application Priority Data**

Feb. 16, 2000 (AU) ..... 475/2000

(51) **LOC (7) Cl.** ..... **03-01**

(52) **U.S. Cl.** ..... **D3/206**

(58) **Field of Search** ..... D3/201, 206, 224,  
D3/228; D8/71; D19/81.75, 85.35; 206/224,  
362, 443, 581; 224/223, 904, 918, 920,  
931

(56) **References Cited**

**U.S. PATENT DOCUMENTS**

D. 271,787	*	12/1983	Finley	.....	D3/224
3,181,751	*	5/1965	Wilson	.....	224/920
4,691,469	*	9/1987	Alsobrook et al.	.....	224/920 X
4,901,464	*	2/1990	Banoun	.....	206/362 X
4,901,899	*	2/1990	Barrett	.....	224/223
5,024,361	*	6/1991	Flowers	.....	224/904 X

\* cited by examiner

*Primary Examiner*—Louis S. Zarfaz  
*Assistant Examiner*—Monica A. Weingart  
(74) *Attorney, Agent, or Firm*—Davis & Bujold, P.L.L.C.

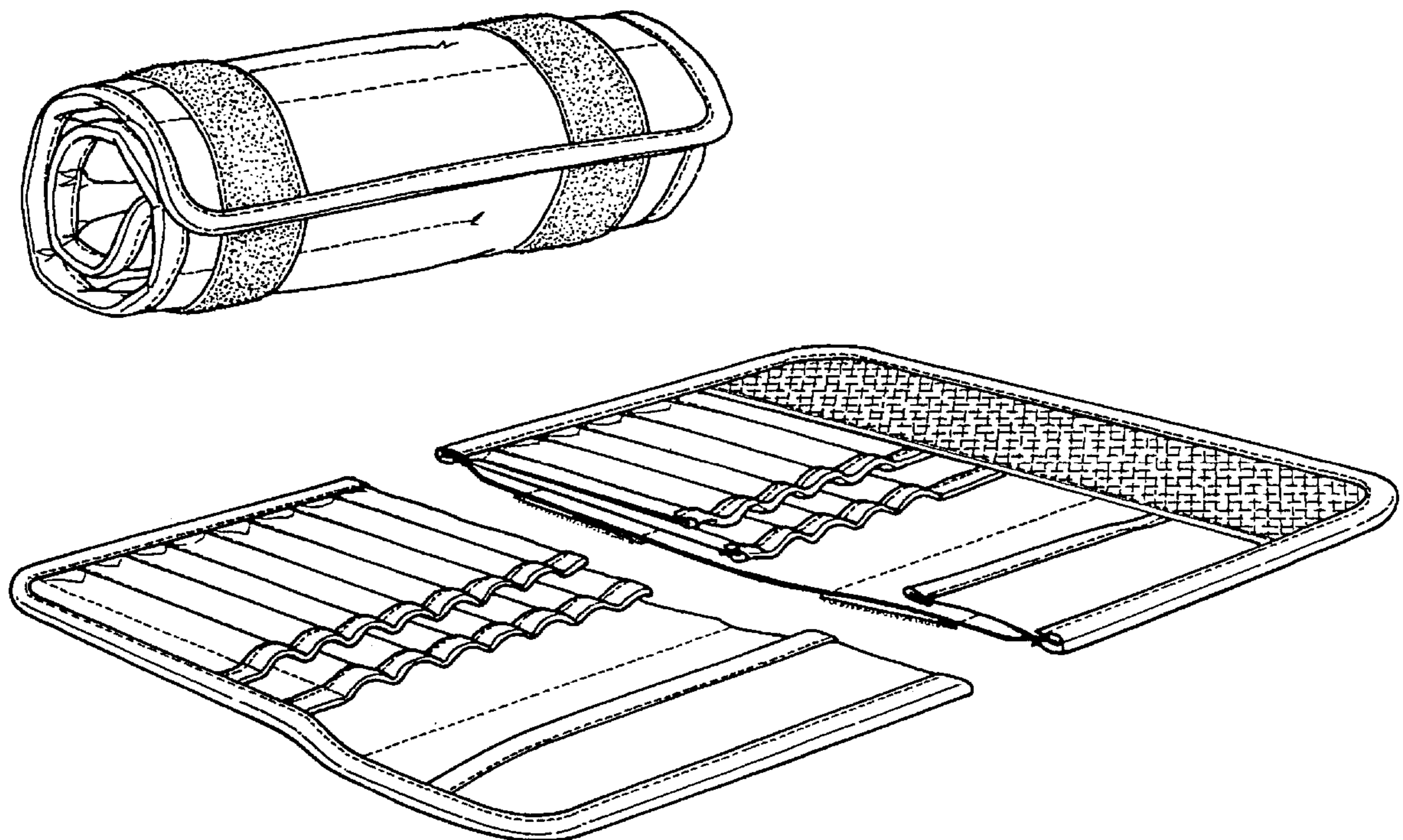
(57) **CLAIM**

The ornamental design for a roll-up pencil case, as shown and described.

**DESCRIPTION**

FIG. 1 is a side front perspective view of the roll-up pencil case in its rolled up form showing the new design; FIG. 2 is a perspective top view of the roll-up pencil case shown in FIG. 1 in its unrolled form showing the new design; FIG. 3 is a top view of the roll-up pencil case shown in FIG. 2 in its unrolled form showing the new design; FIG. 4 is a top view of the reverse (outer) face of the roll-up pencil case shown in FIG. 3 in its unrolled form showing the new design; FIG. 5 is a front view of the lower side of the roll-up pencil case shown in FIG. 3, showing the new design; FIG. 6 is a front view of the upper side of the roll-up pencil case shown in FIG. 3, showing the new design; FIG. 7 is a front view of the left hand side of the roll-up pencil case shown in FIG. 3, showing the new design; and, FIG. 8 is a front view of the right hand side of the roll-up pencil case shown in FIG. 3, showing the new design. The roll-up pencil case is shown broken away in the views to indicate indeterminate length.

**1 Claim, 3 Drawing Sheets**



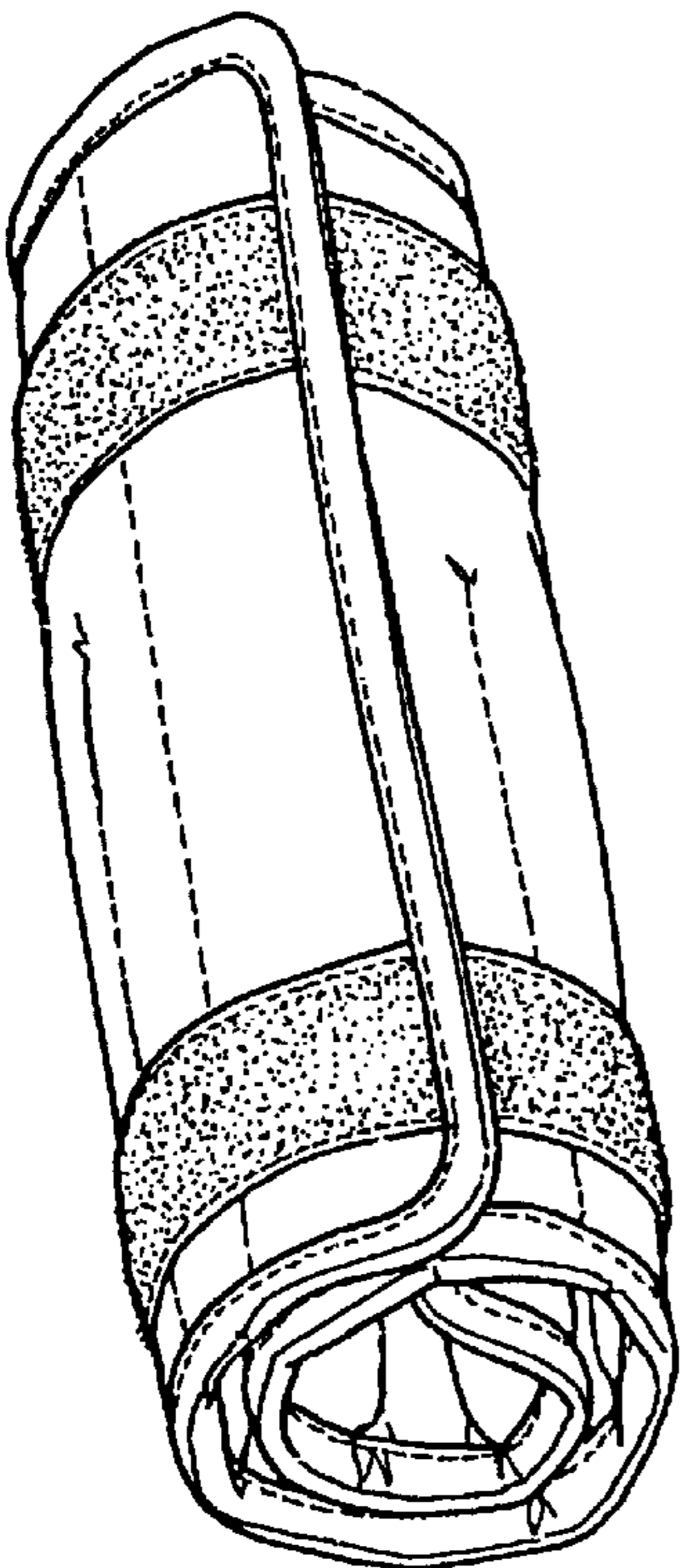


FIG. 1

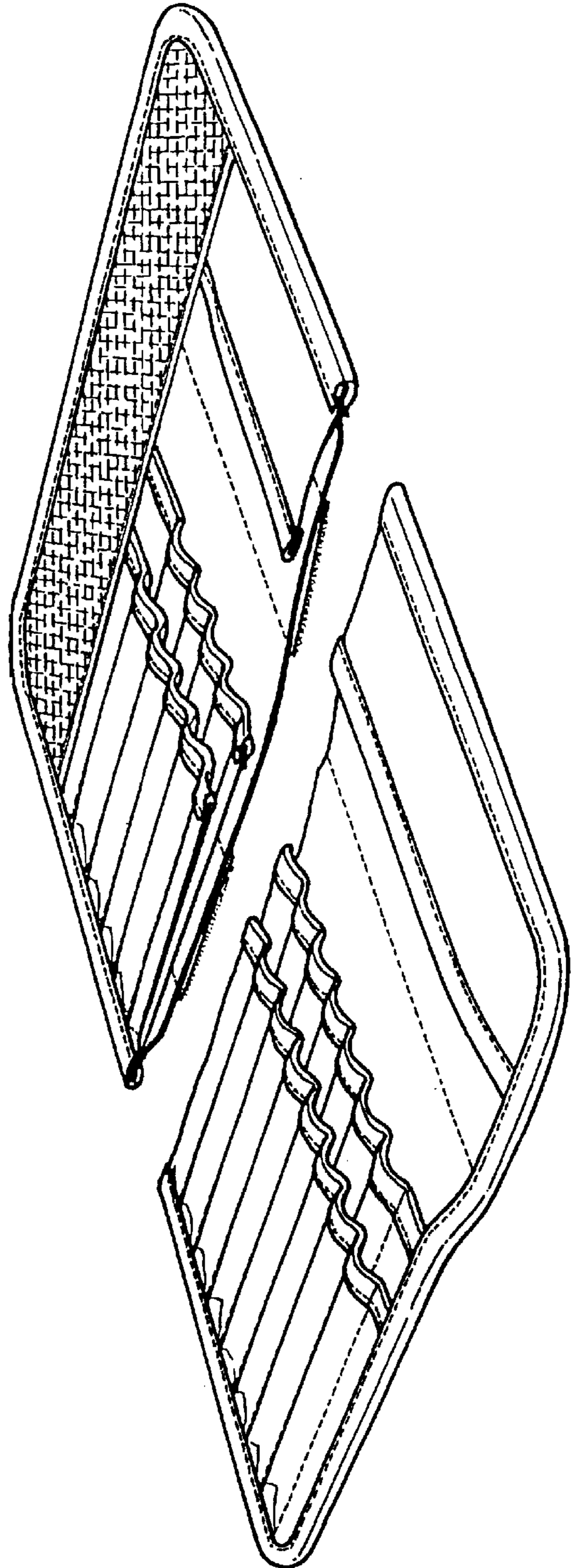


FIG. 2

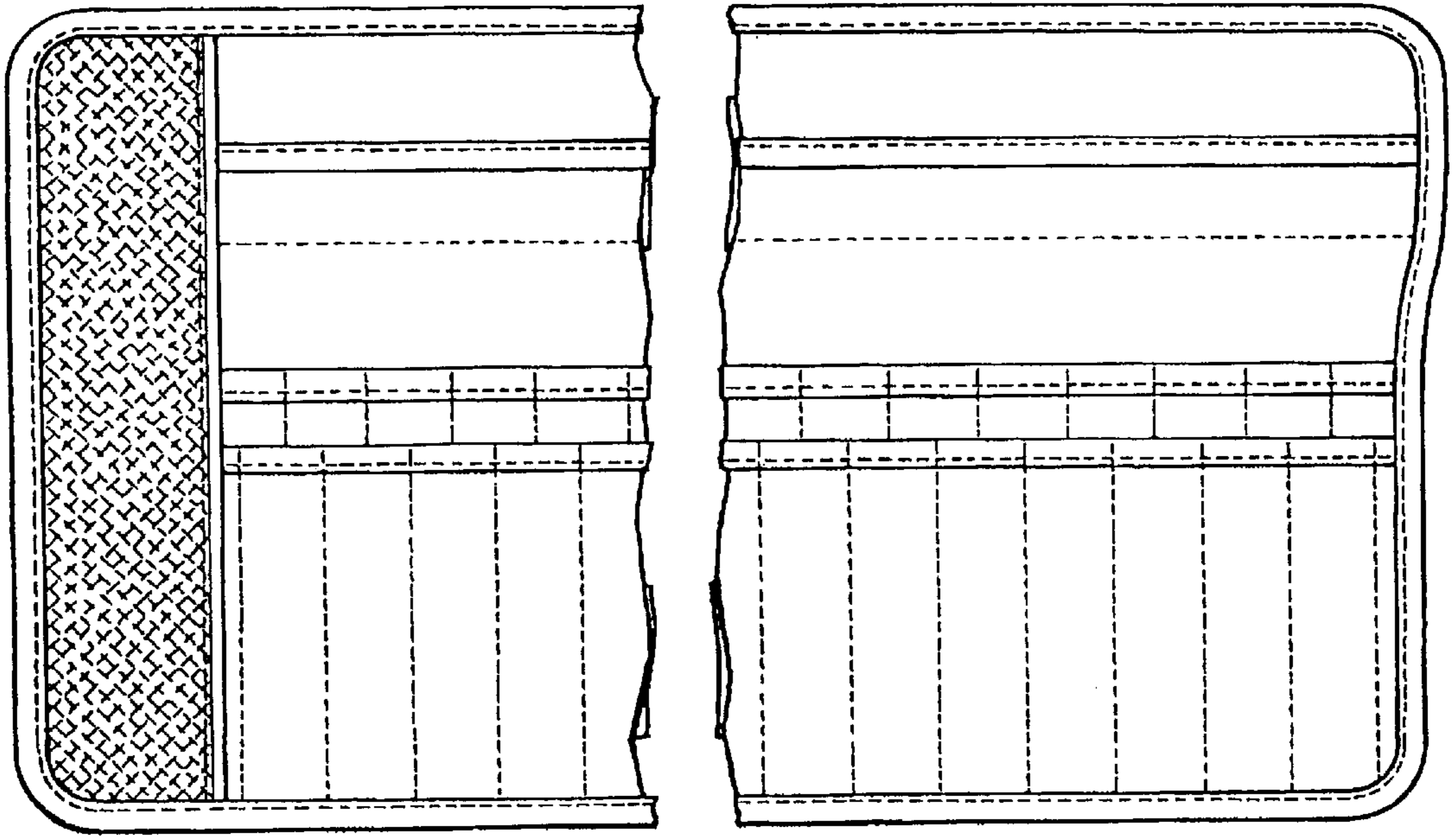


FIG. 3

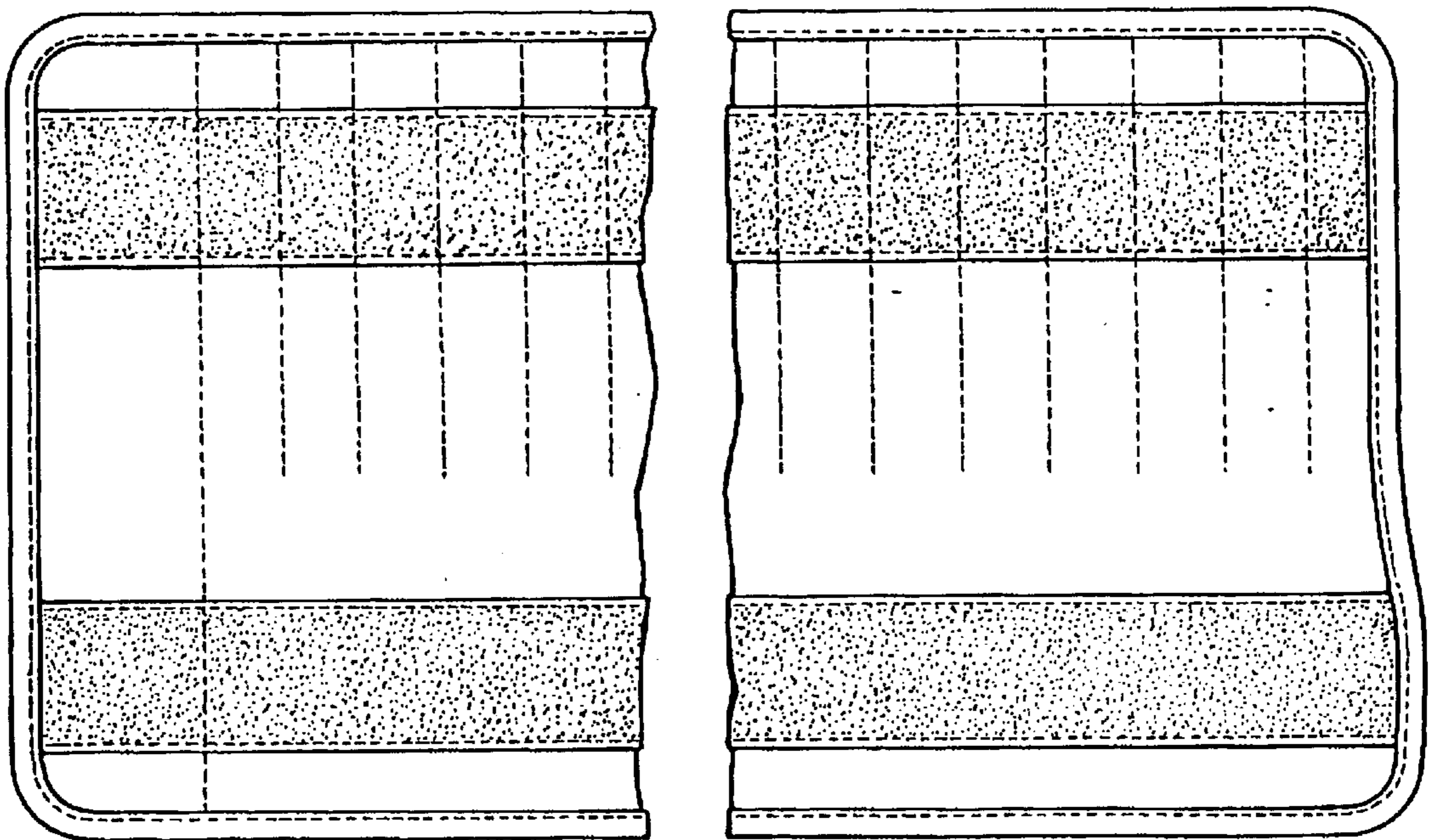


FIG. 4



FIG. 5



FIG. 6

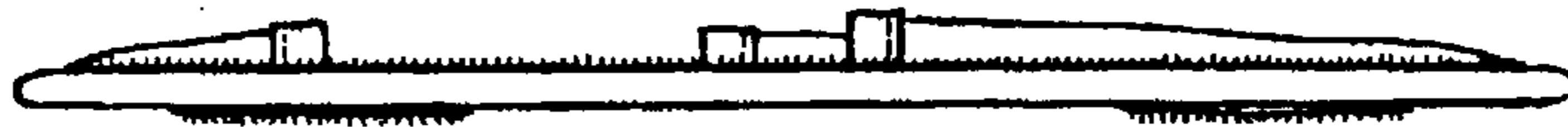


FIG. 7



FIG. 8