



US00D44557S

(12) **United States Design Patent**
Chang

(10) **Patent No.:** **US D445,557 S**

(45) **Date of Patent:** **** Jul. 24, 2001**

(54) **URN CONTAINER FOR BONE ASH**

(76) **Inventor:** **Ming-Chi Chang**, P.O. Box 90, Tainan City (TW)

(**) **Term:** **14 Years**

(21) **Appl. No.:** **29/135,936**

(22) **Filed:** **Jan. 23, 2001**

(51) **LOC (7) Cl.** **99-00**

(52) **U.S. Cl.** **D99/5**

(58) **Field of Search** D99/1, 5; 27/1, 27/2, 3, 5, 6, 7, 8

(56) **References Cited**

U.S. PATENT DOCUMENTS

- D. 152,759 * 2/1949 Warren D99/5
- D. 248,171 * 6/1978 Sugarman D99/5
- D. 350,010 * 8/1994 May et al. D99/5
- D. 359,831 * 6/1995 Parker D99/5
- D. 374,962 * 10/1996 Allen et al. D99/5

- D. 395,122 * 6/1998 Dunlop D99/5
- D. 395,123 * 6/1998 Barretto D99/5
- D. 421,672 * 3/2000 Thesken D99/5

* cited by examiner

Primary Examiner—Paula A. Mortimer

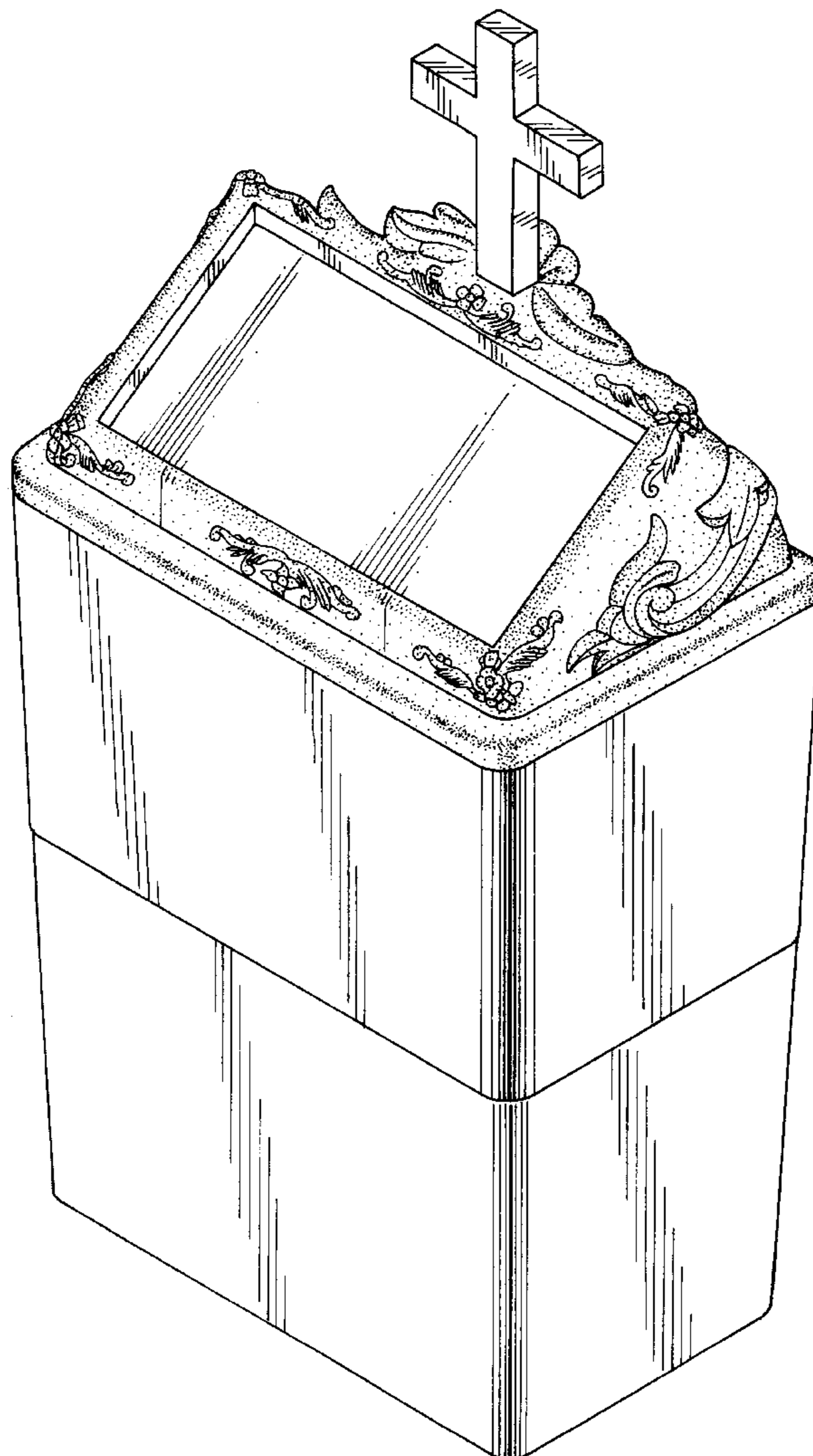
(57) **CLAIM**

The ornamental design for urn container for bone ash, as shown and described.

DESCRIPTION

FIG. 1 is a perspective view of urn container for bone ash showing my design;
 FIG. 2 is a front elevational view thereof;
 FIG. 3 is a rear elevational view thereof;
 FIG. 4 is a left side elevational view thereof;
 FIG. 5 is a right side elevational view thereof;
 FIG. 6 is a top plan view thereof; and,
 FIG. 7 is a bottom plan view thereof.

1 Claim, 6 Drawing Sheets



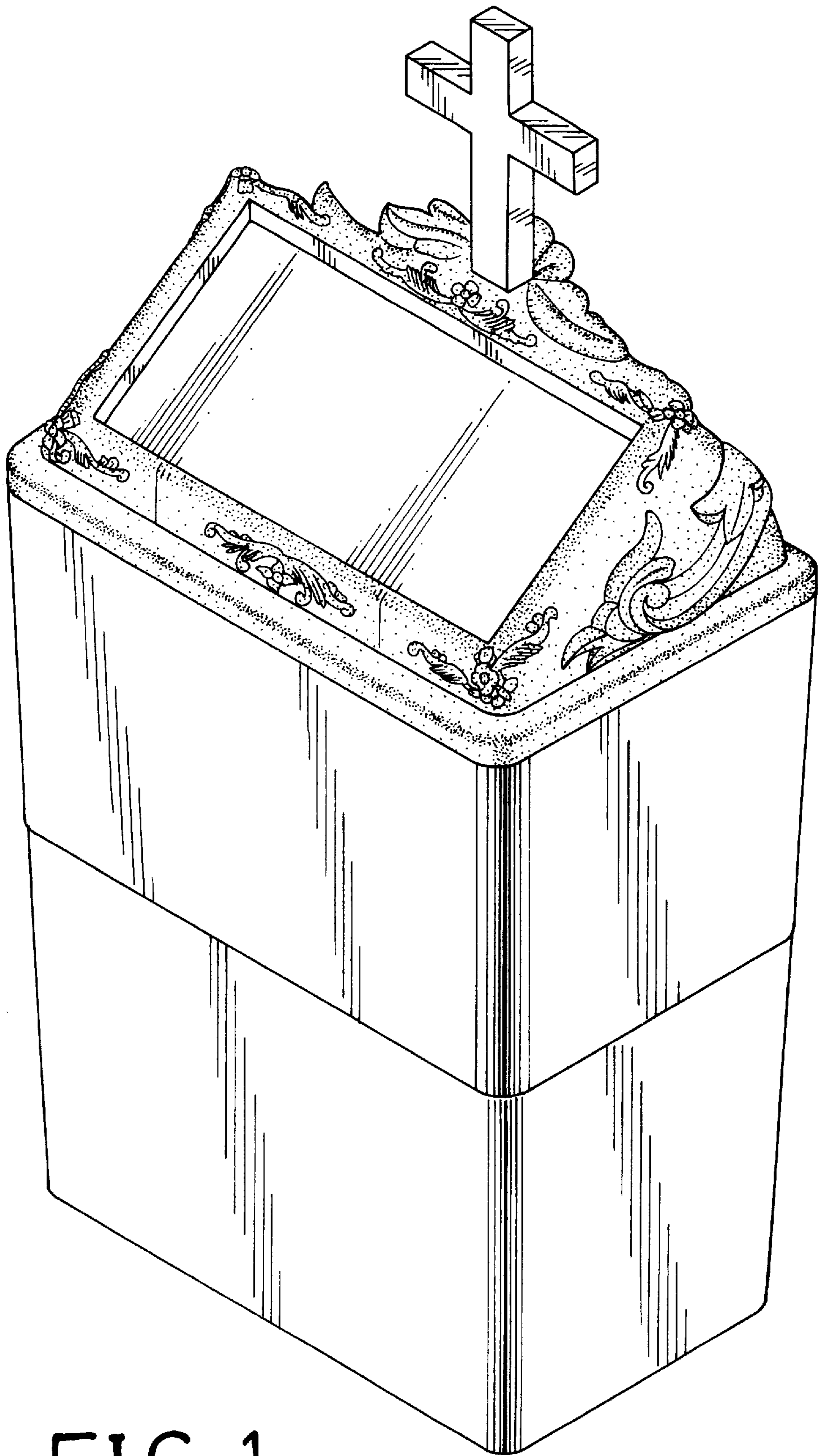


FIG. 1

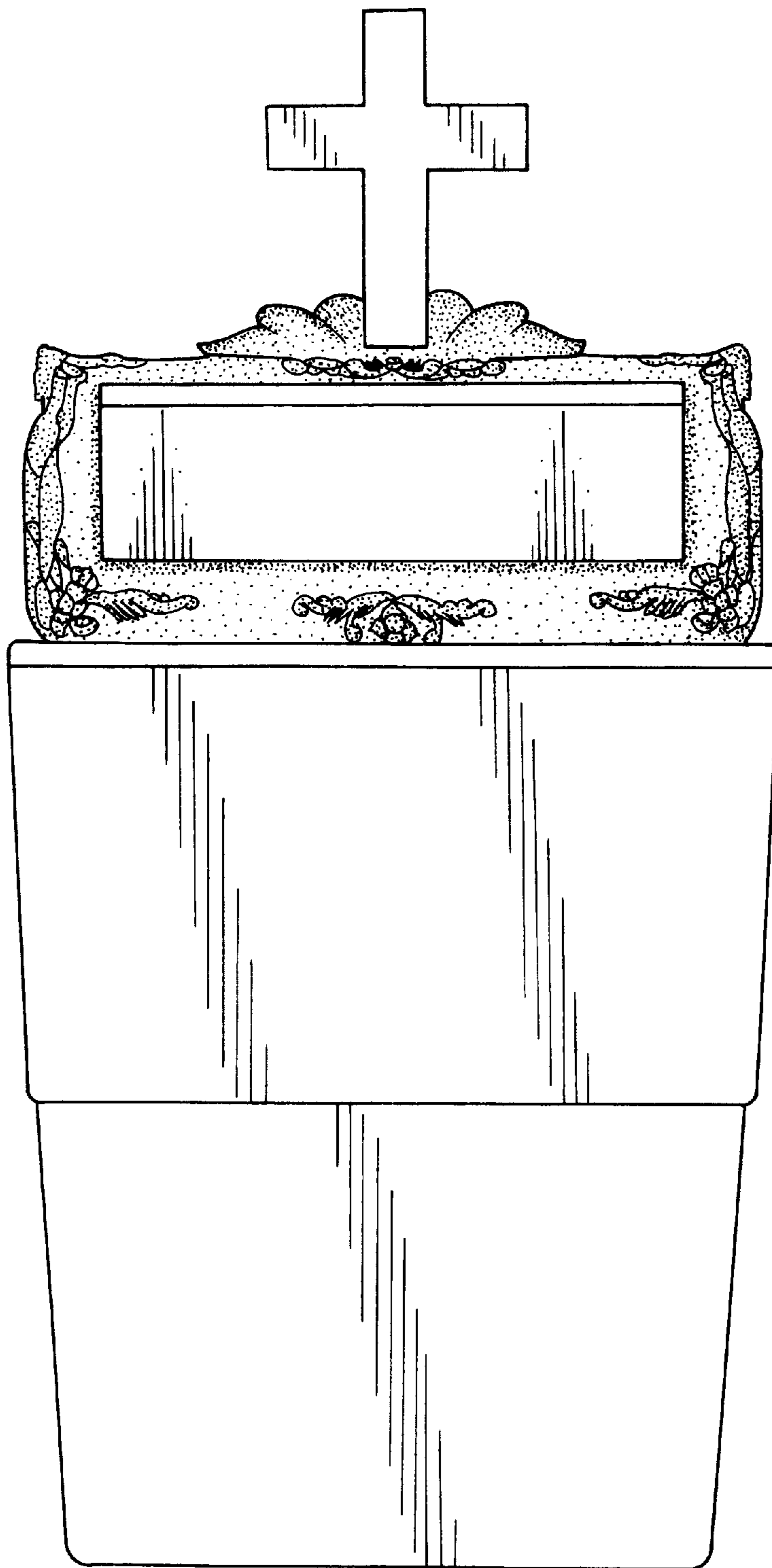


FIG. 2

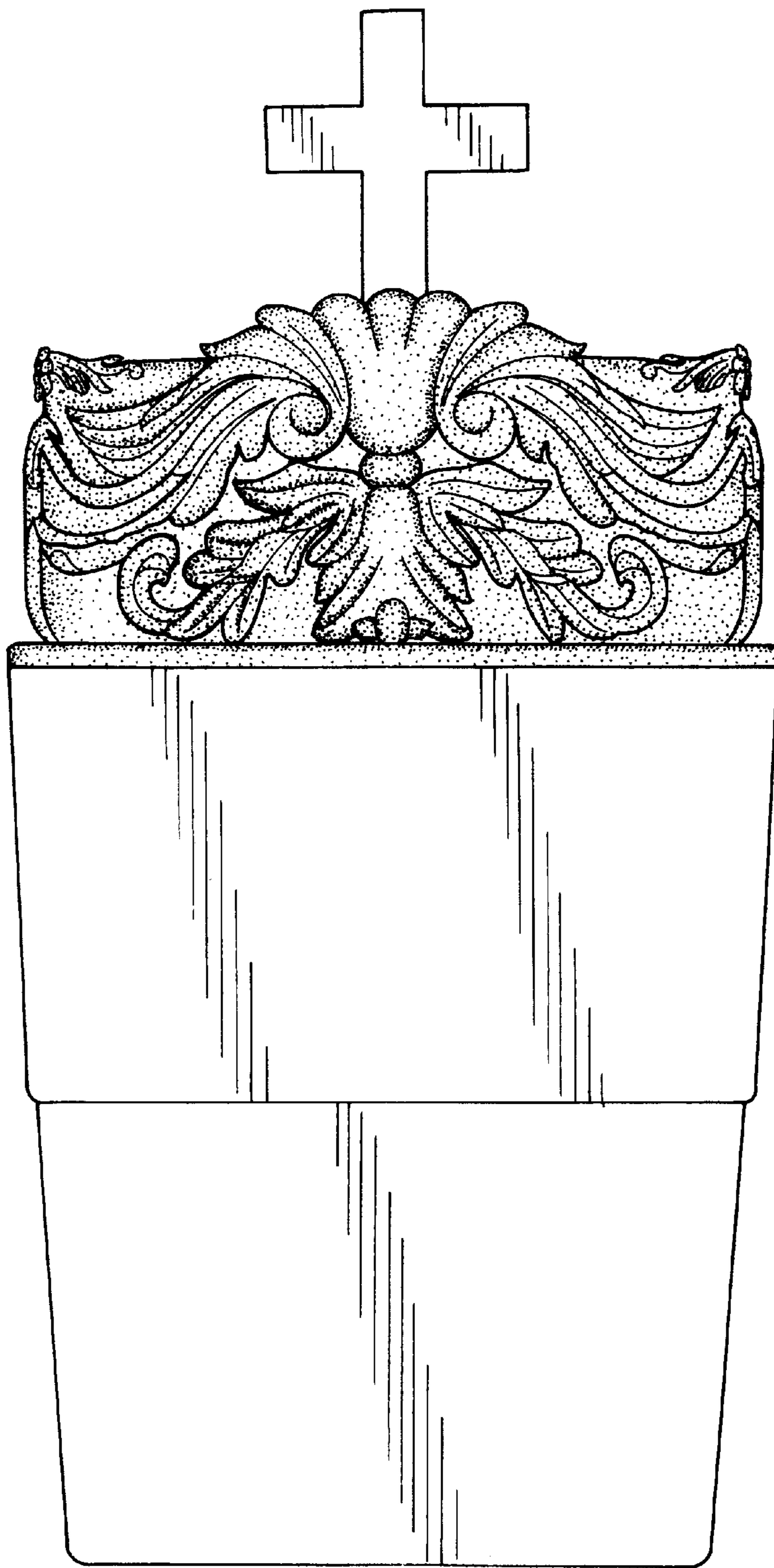


FIG. 3

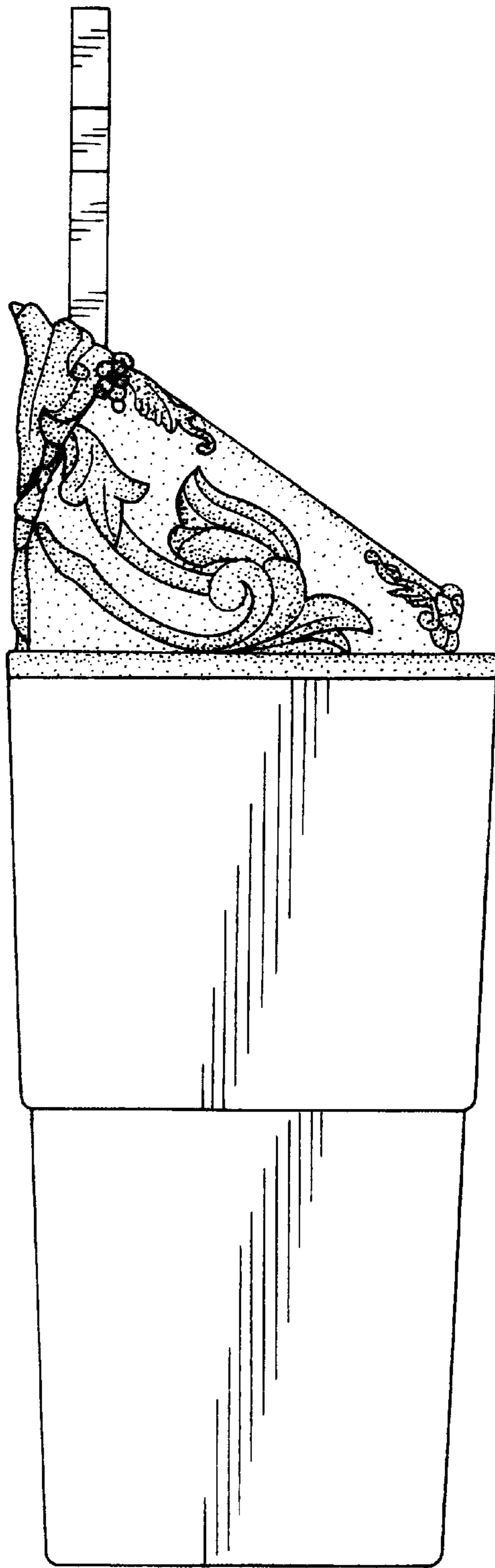


FIG. 4

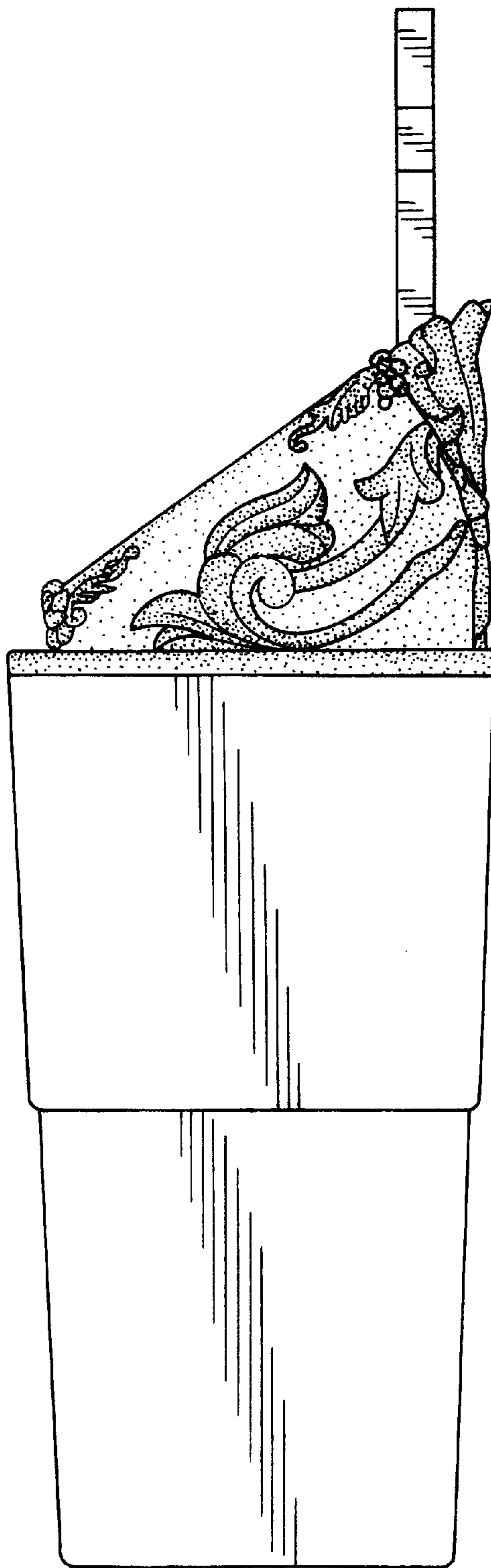


FIG. 5

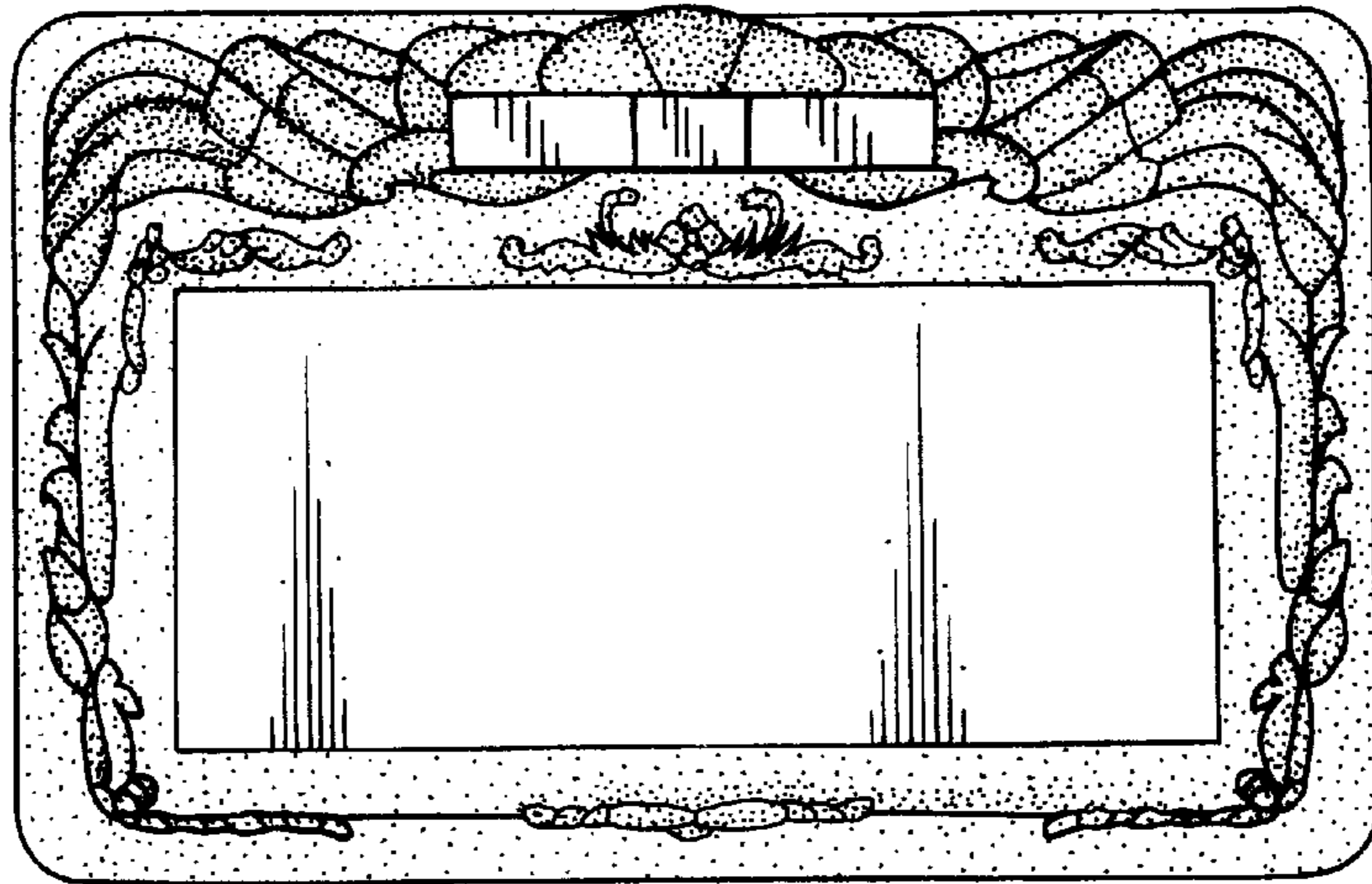


FIG. 6

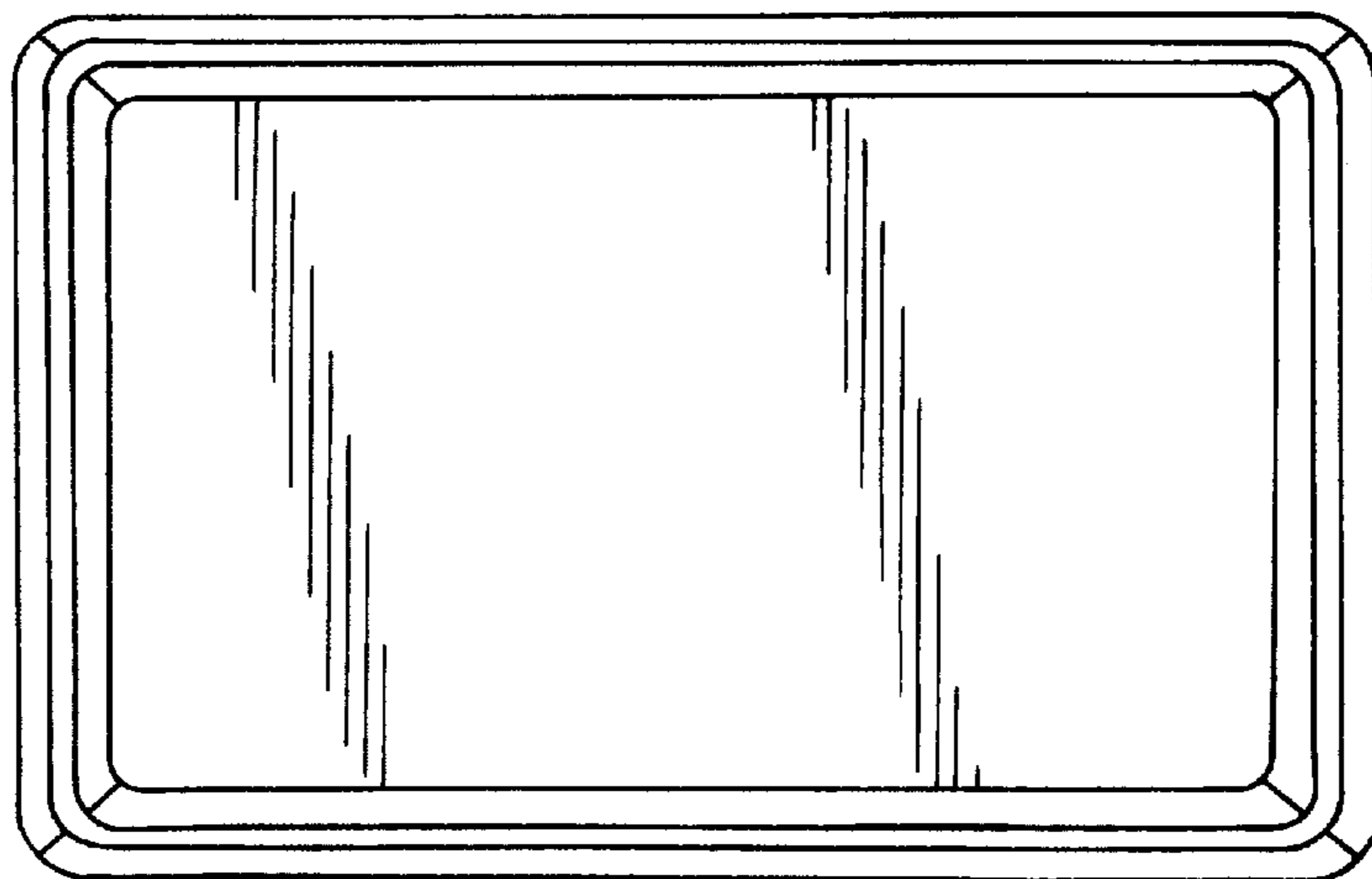


FIG. 7