



US00D44555S

(12) **United States Design Patent**  
**Hanson**

(10) **Patent No.:** **US D445,555 S**

(45) **Date of Patent:** **\*\* Jul. 24, 2001**

(54) **CASKET**

(76) **Inventor:** **Wayne D. Hanson**, 2121 S. Avenida  
Planeta, Tucson, AZ (US) 85710

(\*\*) **Term:** **14 Years**

(21) **Appl. No.:** **29/133,168**

(22) **Filed:** **Nov. 21, 2000**

(51) **LOC (7) Cl.** ..... **99-00**

(52) **U.S. Cl.** ..... **D99/1**

(58) **Field of Search** ..... D99/1, 2, 7, 11,  
D99/12; 27/1, 2, 4, 7, 14, 28; D6/385;  
D21/520

(56) **References Cited**

**U.S. PATENT DOCUMENTS**

D. 141,294	*	5/1945	Wordon	.....	D6/385
D. 253,975		1/1980	Branson	.	
D. 273,154		3/1984	Almela	.	
D. 346,263		4/1994	Erickson	.	
D. 403,832	*	1/1999	Gerke	.....	D99/1
D. 418,657		1/2000	Lamolinara	.	
D. 418,960	*	1/2000	Wiley	.....	D99/1
4,337,556		7/1982	Winburn et al.	.	
4,372,018		2/1983	Miller, IV et al.	.	

**OTHER PUBLICATIONS**

Cherokee Child Caskets Brochure pp. 1–11, front and back  
cover, two page price list “Effective Jan. 23, 2000”.

Tomorrow’s Cradle [www.zwislerbros.com/casket.htm](http://www.zwislerbros.com/casket.htm)  
Home Page (2 pp.), Features (2 pp.) Photos (2 pp.) Order  
Form (2 pp.) “Last Modified Mar. 1, 2000”.

\* cited by examiner

*Primary Examiner*—Paula A. Mortimer  
(74) *Attorney, Agent, or Firm*—Richard P. Beem

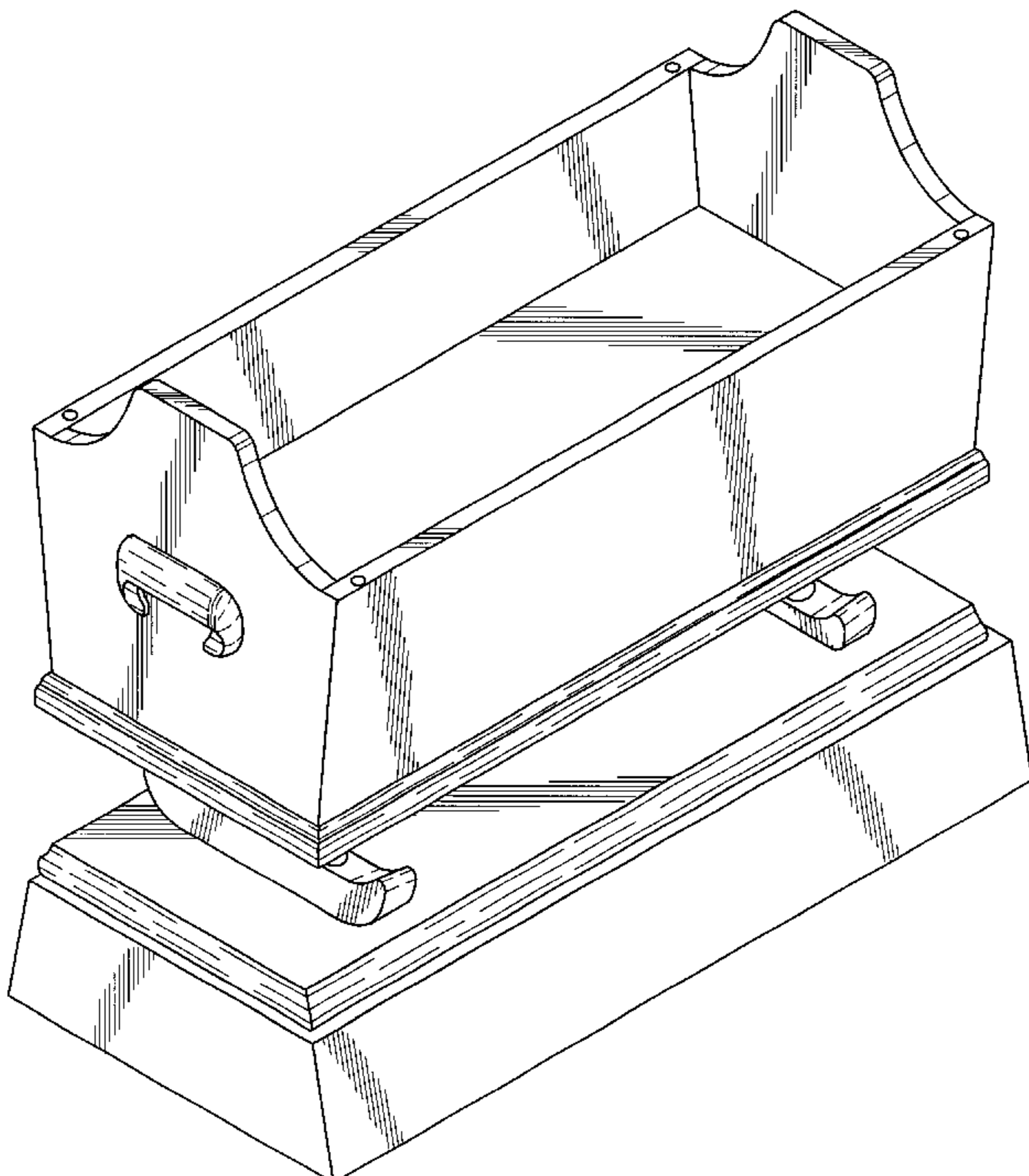
(57) **CLAIM**

The ornamental design for a casket, as shown and described.

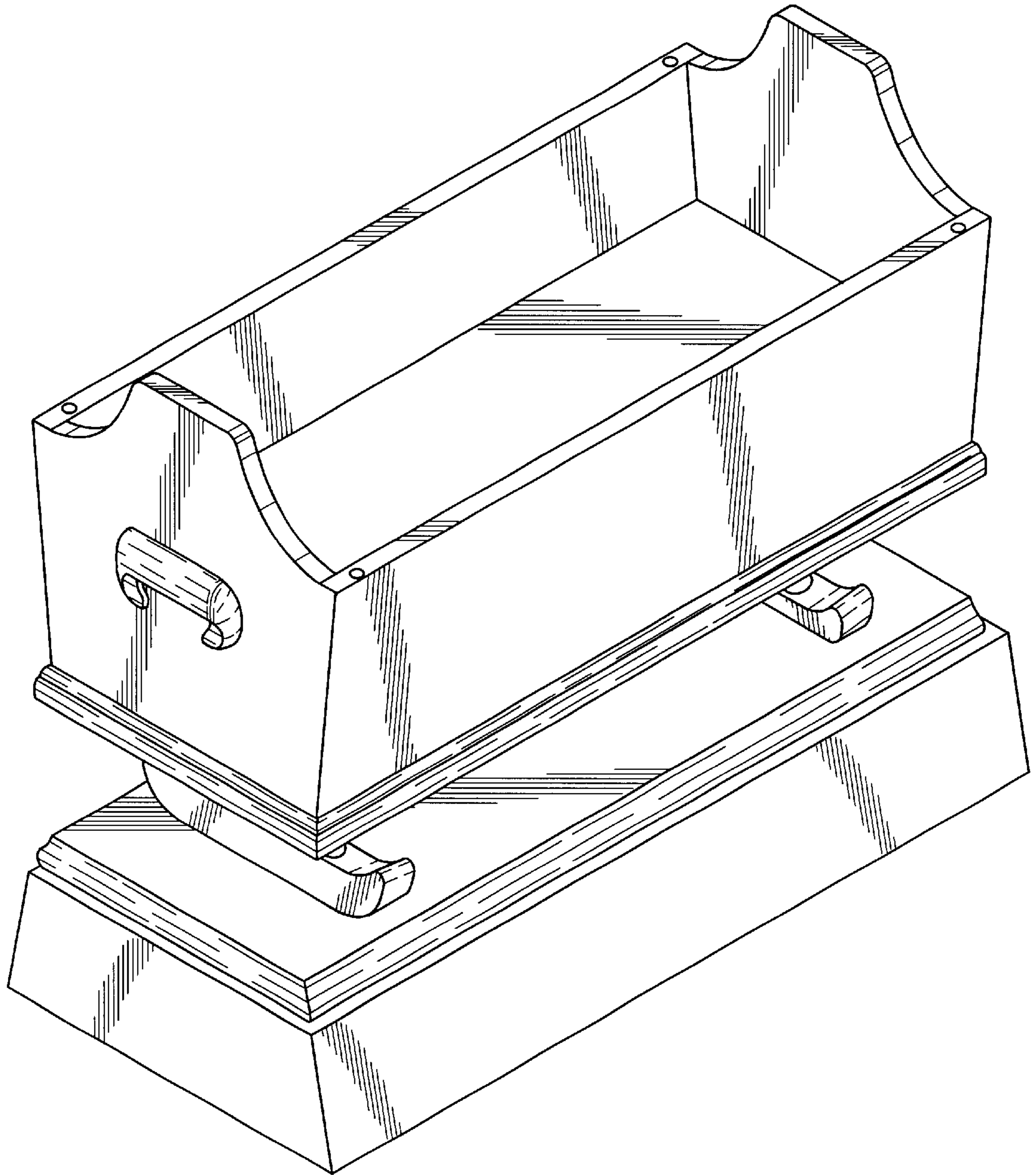
**DESCRIPTION**

FIG. 1 is a perspective view of an open casket showing my  
design;  
FIG. 2 is a front elevational view of the open casket;  
FIG. 3 is an end elevational view of the open casket;  
FIG. 4 is a top plan view of the open casket;  
FIG. 5 is a bottom plan view of the open casket;  
FIG. 6 is a perspective view of the casket shown in FIGS.  
1–5, but shown in a closed position;  
FIG. 7 is a front elevational view of the closed casket;  
FIG. 8 is an end elevational view of the closed casket;  
FIG. 9 is a top plan view of the closed casket; and,  
FIG. 10 is a bottom plan view of the closed casket.

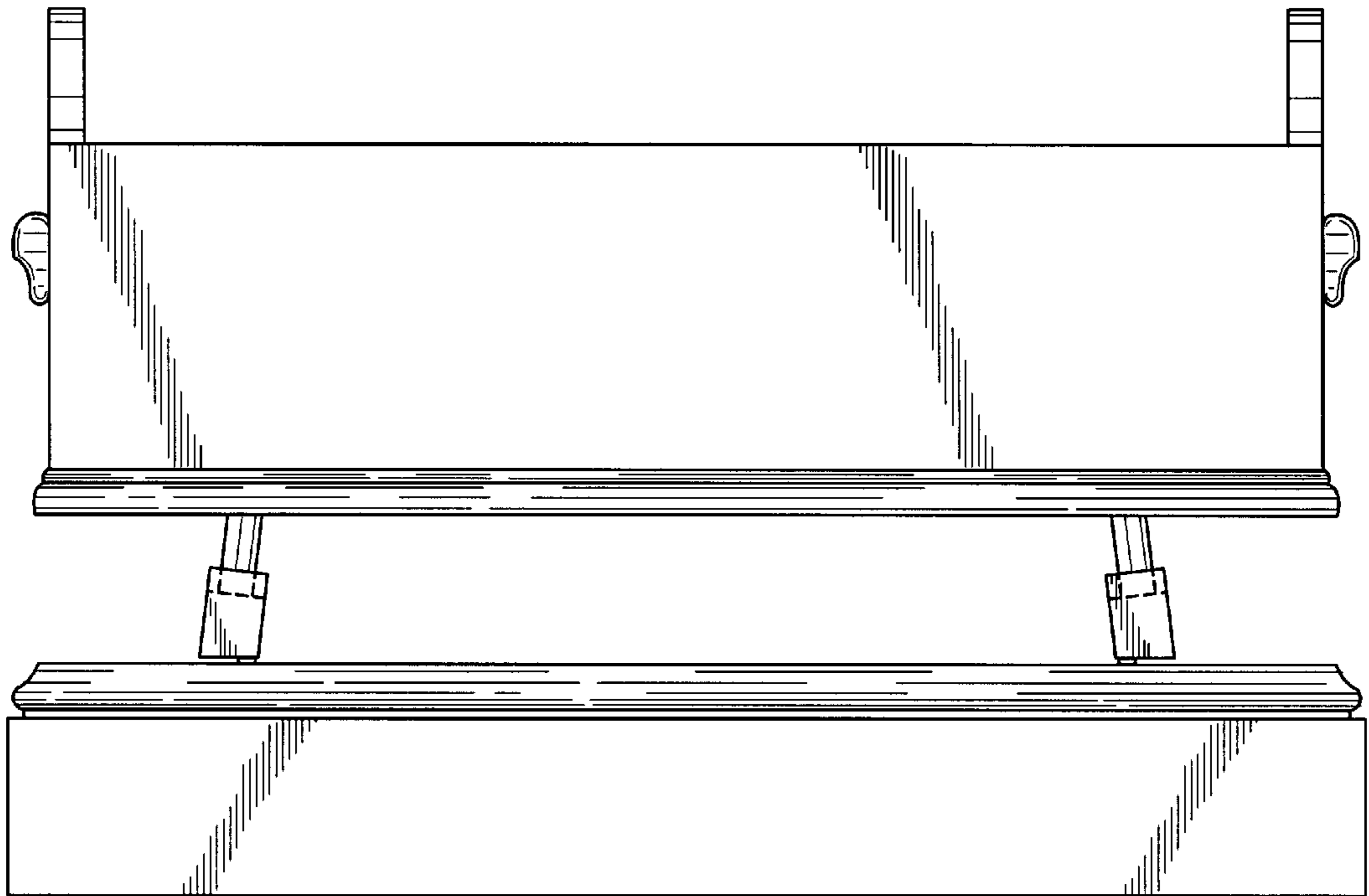
**1 Claim, 6 Drawing Sheets**



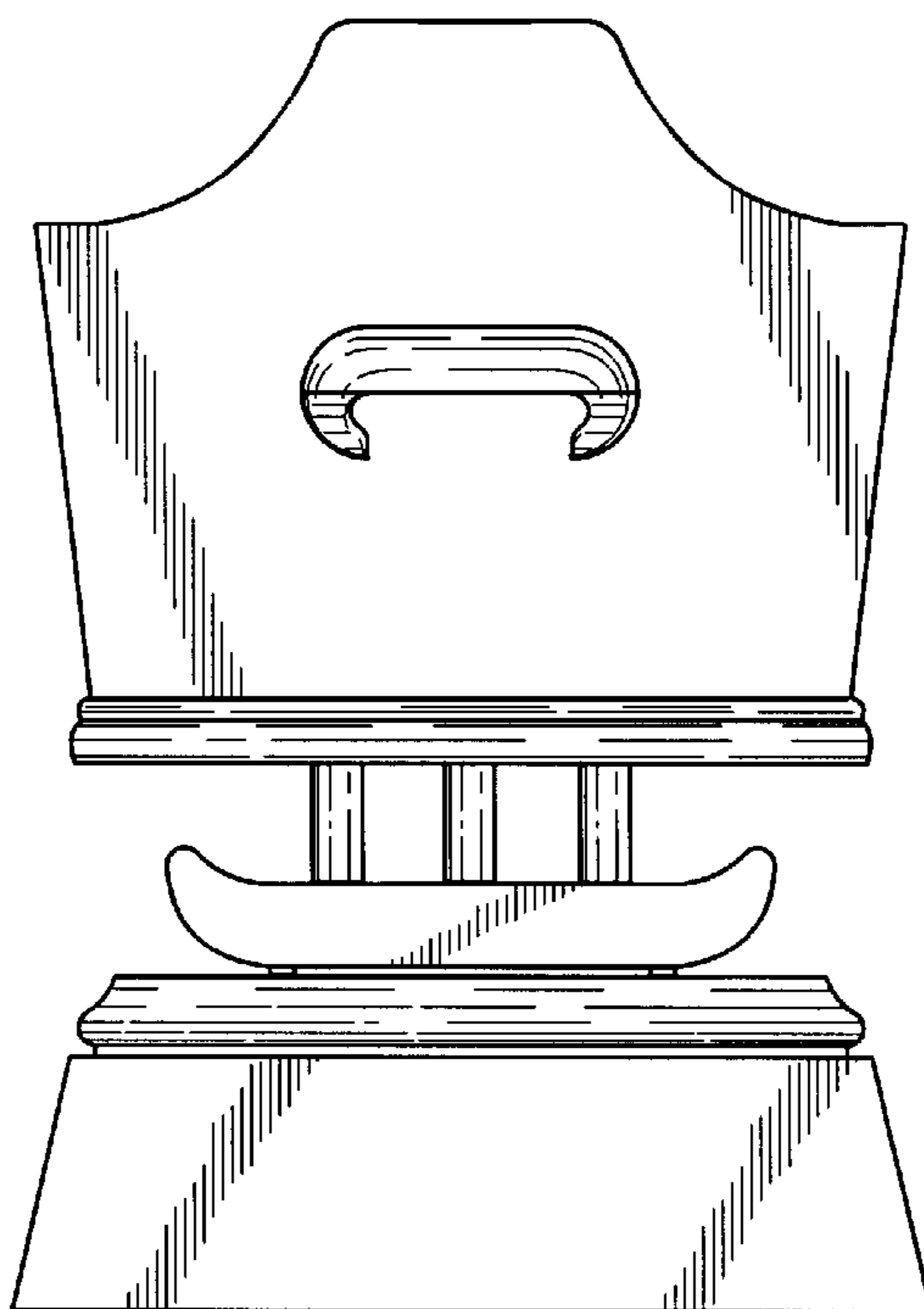
*Fig. 1*



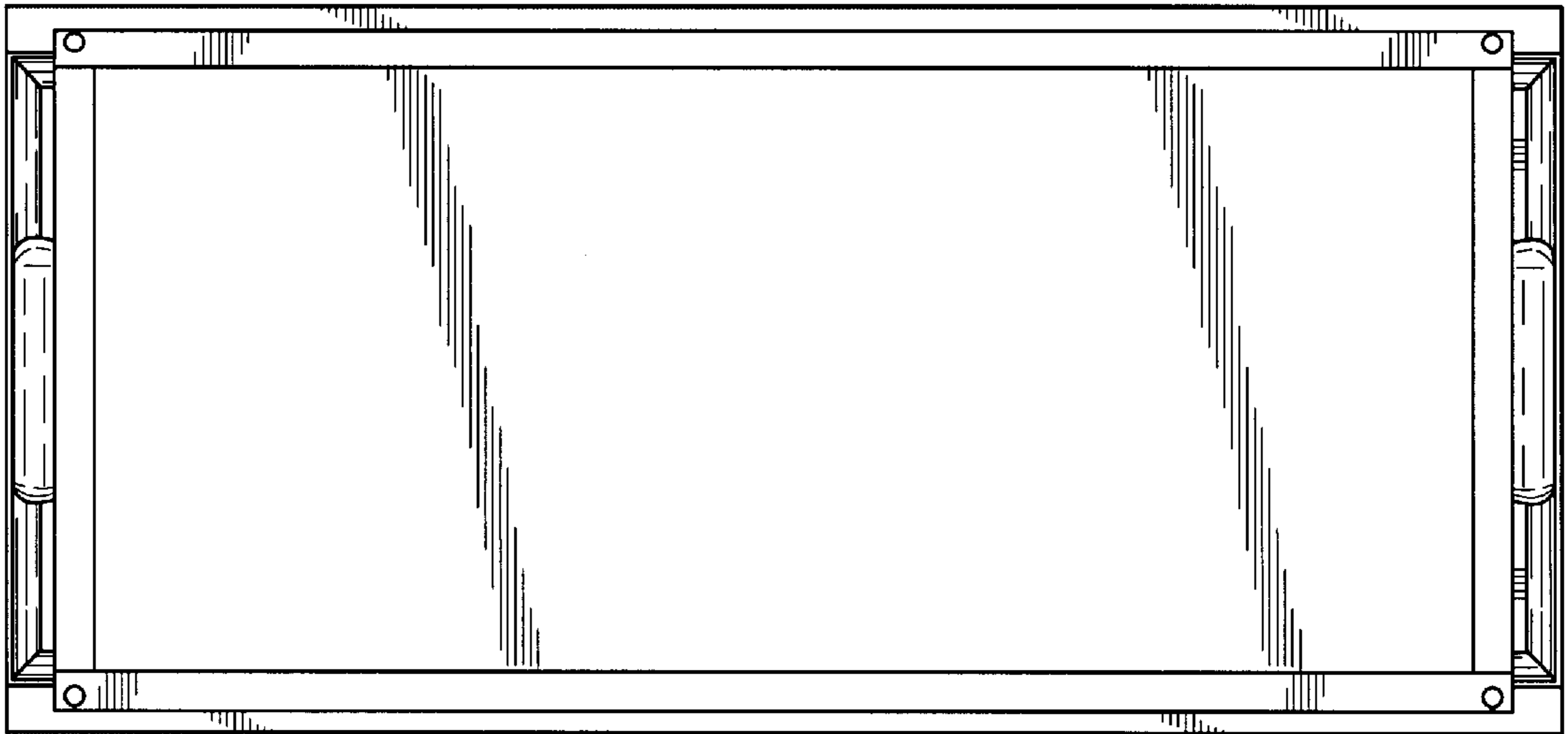
*Fig. 2*



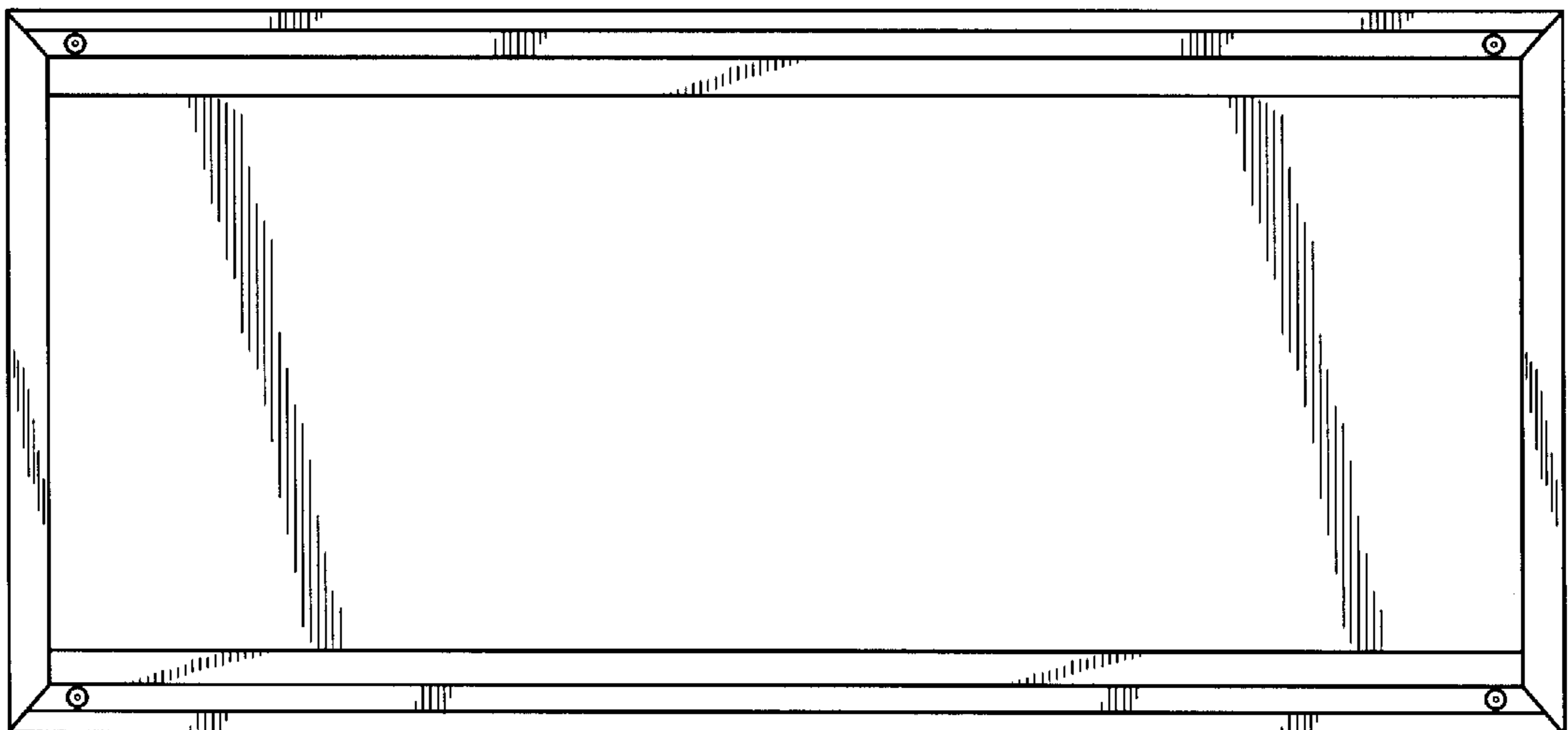
*Fig. 3*



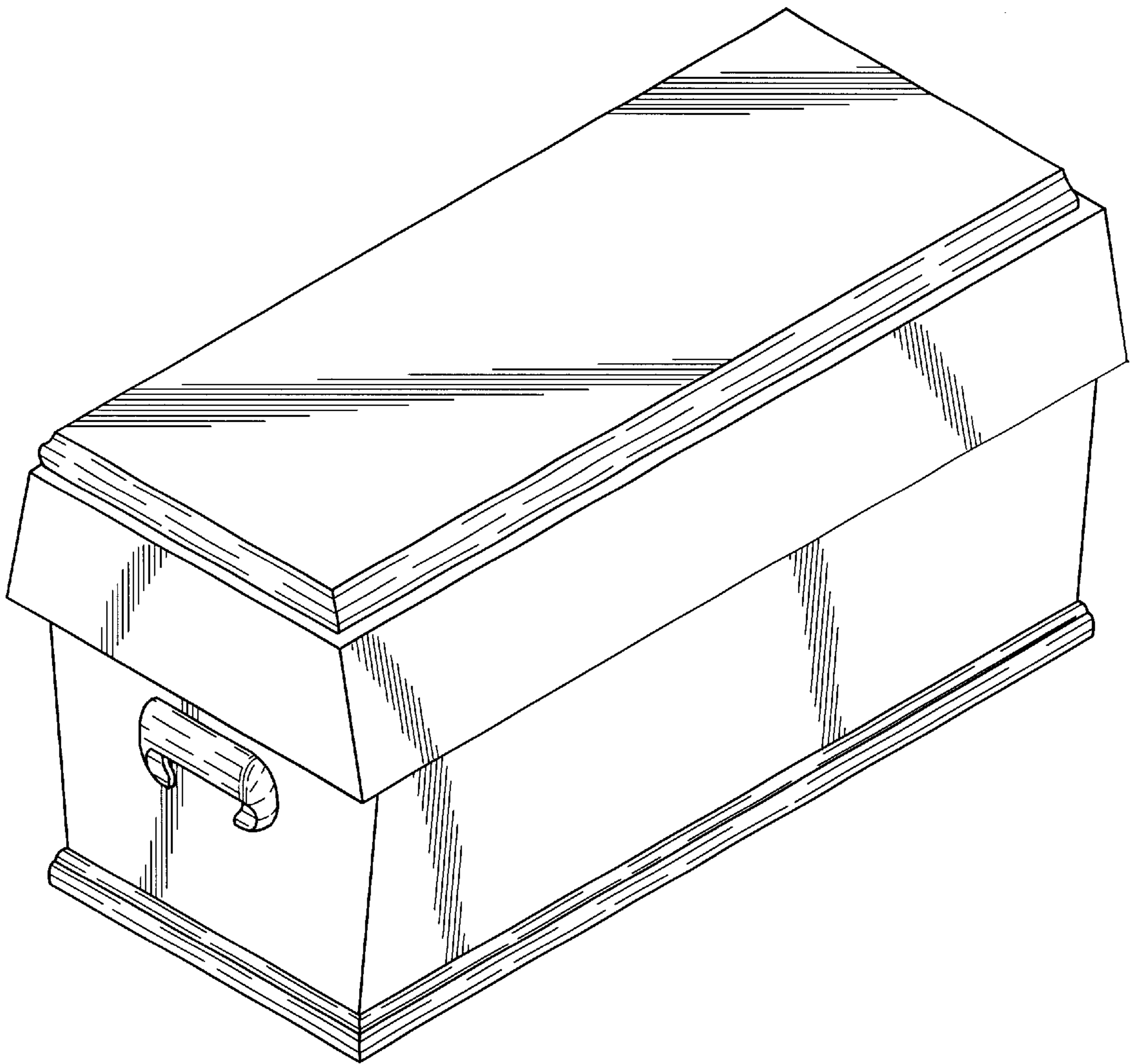
*Fig. 4*



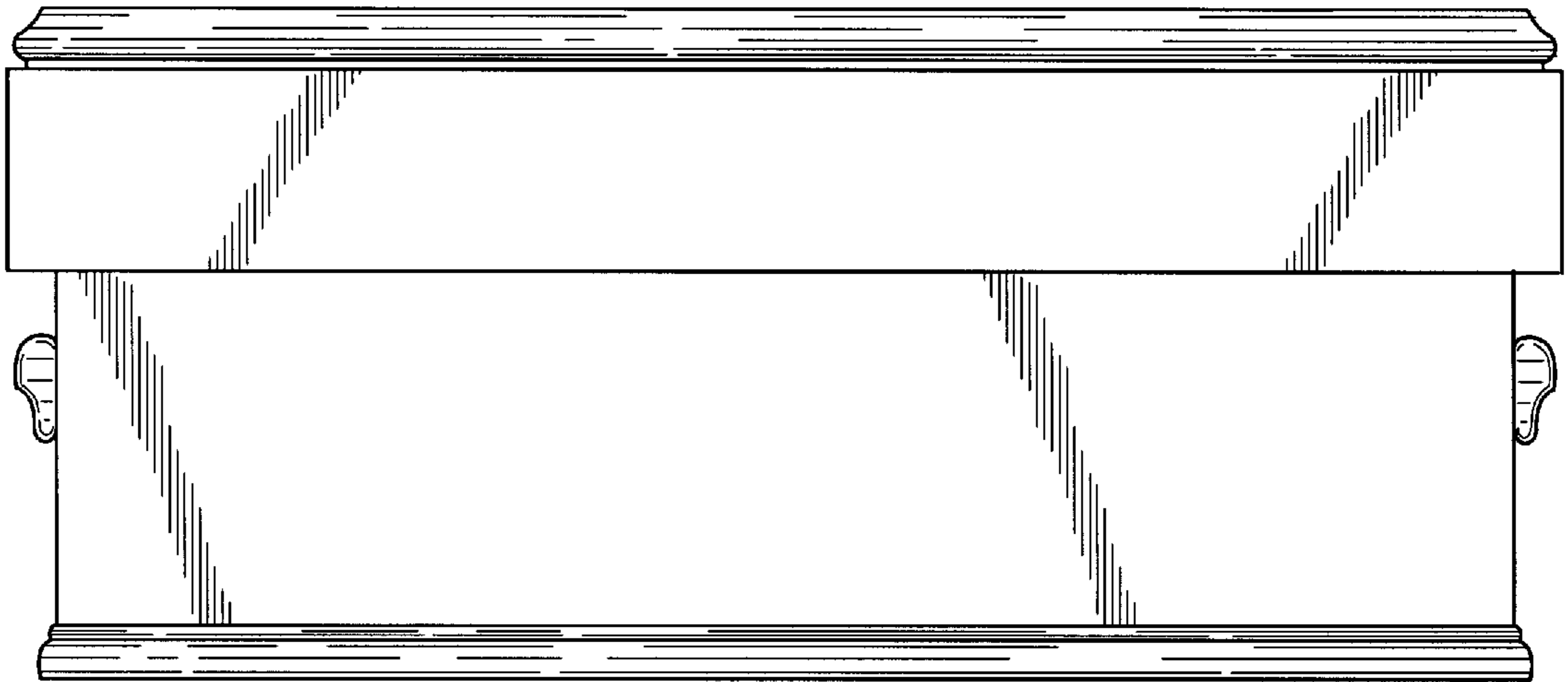
*Fig. 5*



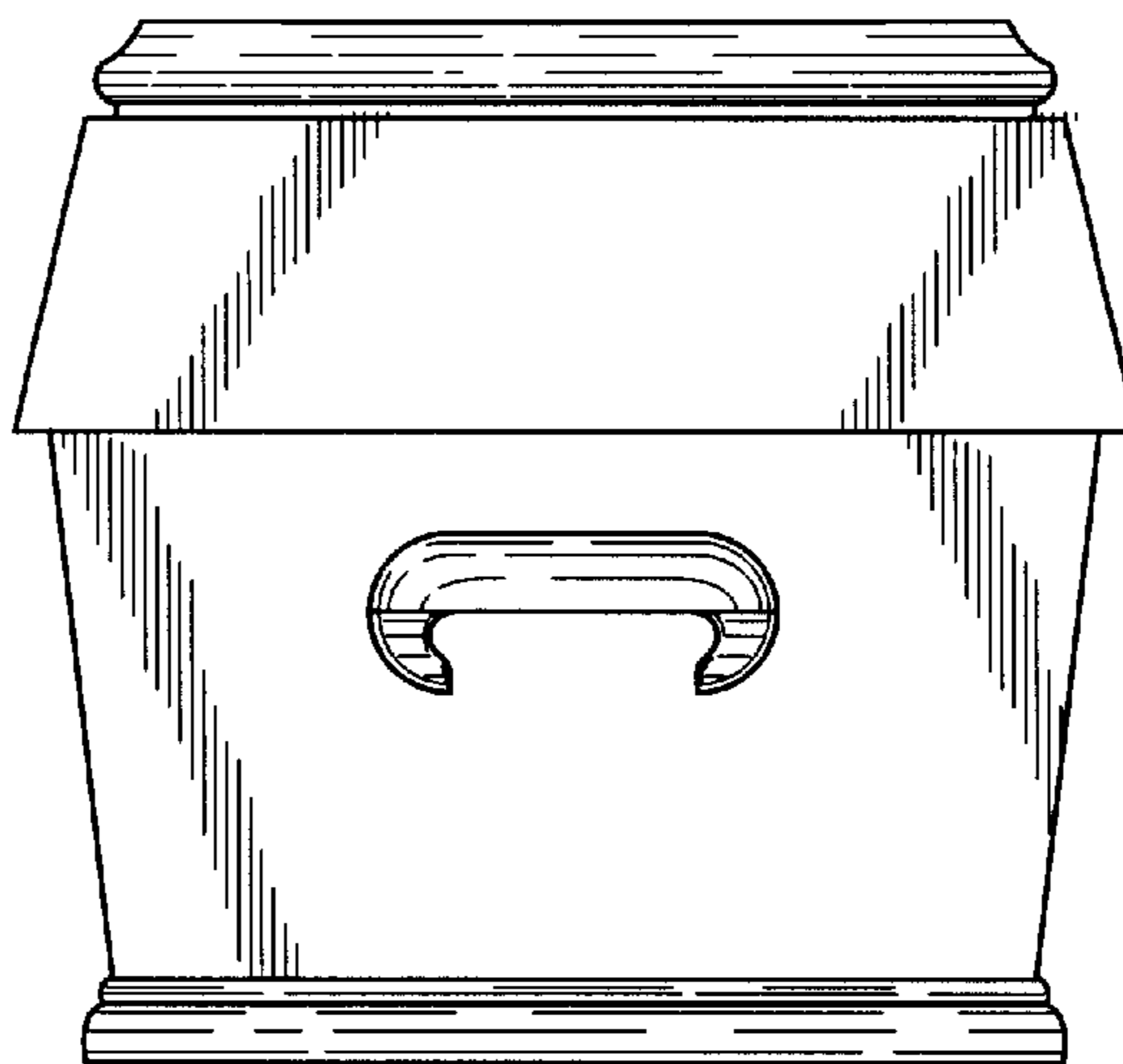
*Fig. 6*



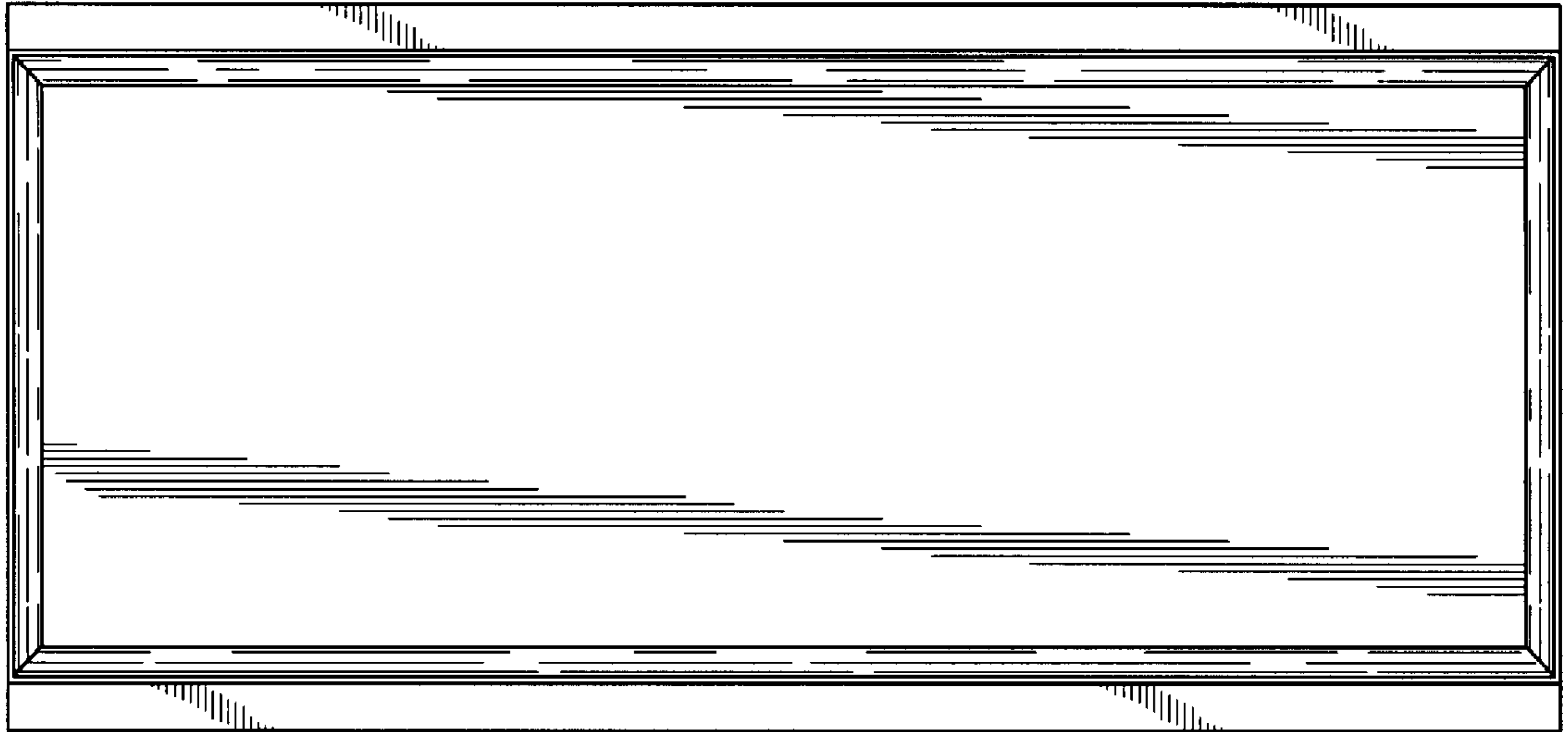
*Fig. 7*



*Fig. 8*



*Fig. 9*



*Fig. 10*

