



US00D44554S

(12) **United States Design Patent**  
**Blason et al.**

(10) **Patent No.:** **US D445,554 S**

(45) **Date of Patent:** **\*\* Jul. 24, 2001**

(54) **FLAT TOP DECK ATTACHMENT FOR DOLLY**

(75) Inventors: **Stephen Trevor Blason**, Addlestone;  
**David Bray**, Birmingham, both of (GB)

(73) Assignee: **Chep UK Limited** (GB)

(\*\*) Term: **14 Years**

(21) Appl. No.: **29/110,604**

(22) Filed: **Sep. 9, 1999**

(30) **Foreign Application Priority Data**

Mar. 10, 1999 (GB) ..... 2081853

(51) **LOC (7) Cl.** ..... **09-08**

(52) **U.S. Cl.** ..... **D34/38**

(58) **Field of Search** ..... D34/38; 248/346.01;  
108/51.11, 53.1, 56.1, 51.1, 56.3, 52.1,  
54.1, 55.3

(56) **References Cited**

**U.S. PATENT DOCUMENTS**

D. 35,174	*	10/1901	Conklin et al.	.....	D34/38
D. 258,948	*	4/1981	Stump, Jr.	.....	D34/38
D. 267,126	*	11/1982	Jonebrant	.....	D34/38
D. 288,977	*	3/1987	Wind	.....	D34/38
D. 288,978	*	3/1987	Wind	.....	D34/38
D. 300,075	*	2/1989	Sahm, Jr.	.....	D34/38
D. 315,240	*	3/1991	Sahm, Jr.	.....	D34/38

D. 347,509	*	5/1994	Junaedi	.....	D34/38
D. 356,200	*	3/1995	Kern et al.	.....	D34/38
D. 370,765	*	6/1996	Heintz	.....	D34/38
D. 398,130	*	9/1998	Noferi	.....	D34/38
D. 428,679	*	7/2000	Bridge	.....	D34/38
D. 429,052	*	8/2000	Ito et al.	.....	D34/38
2,486,284	*	10/1949	Horwitz	.....	108/51.11
3,977,333	*	8/1976	Phillips	.....	108/54.1
5,351,627	*	10/1994	Junaedi	.....	108/56.1
5,505,141	*	4/1996	Barber	.....	108/51.1
5,685,234	*	11/1997	Grigsby et al.	.....	108/51.3
6,032,801	*	3/2000	Jupille et al.	.....	108/55.3
6,095,482	*	8/2000	LaGrotta et al.	.....	248/672

\* cited by examiner

*Primary Examiner*—Susan J. Lucas

*Assistant Examiner*—Cynthia E. Ramirez

(74) *Attorney, Agent, or Firm*—MacMillan, Sobanski & Todd, LLC

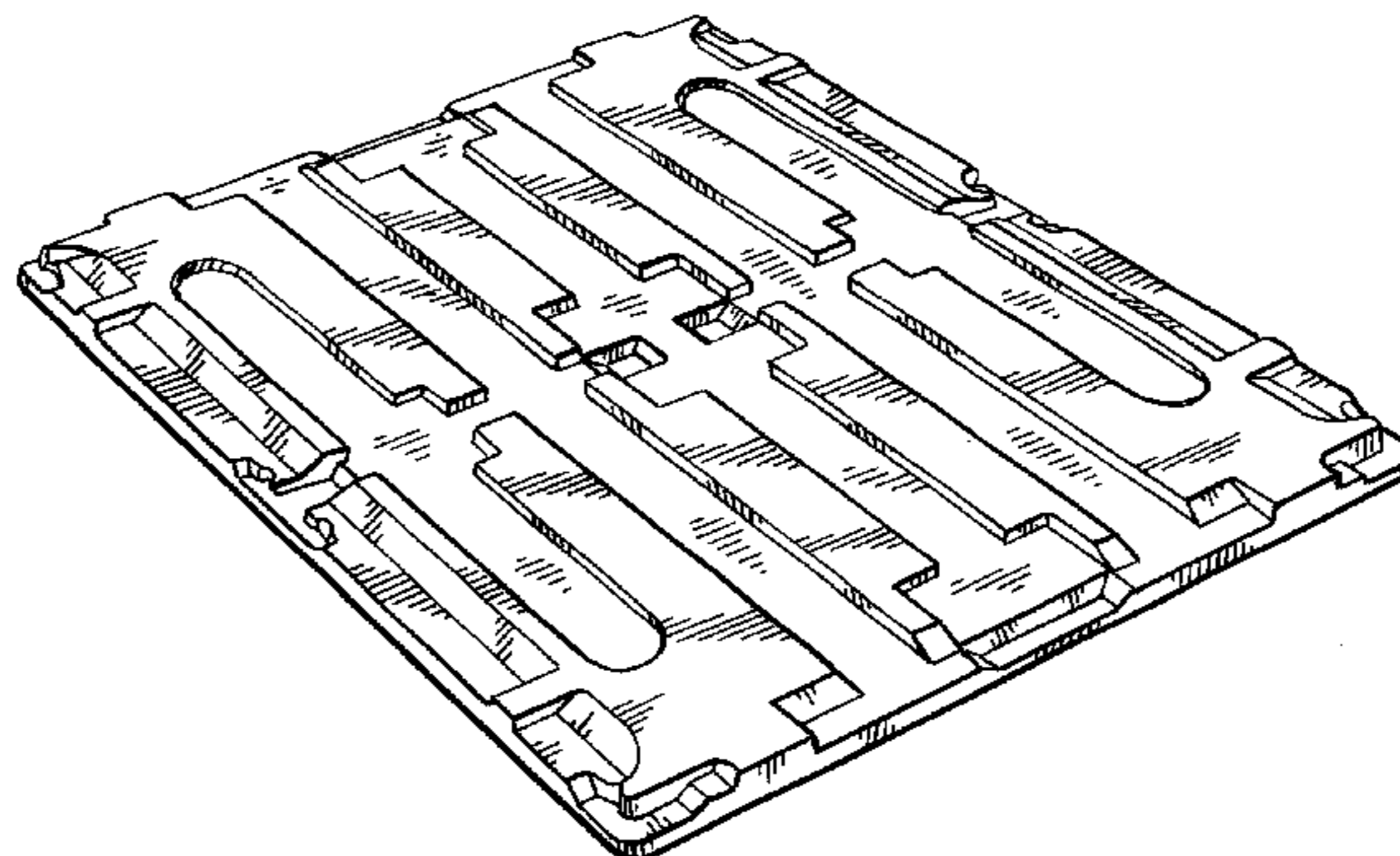
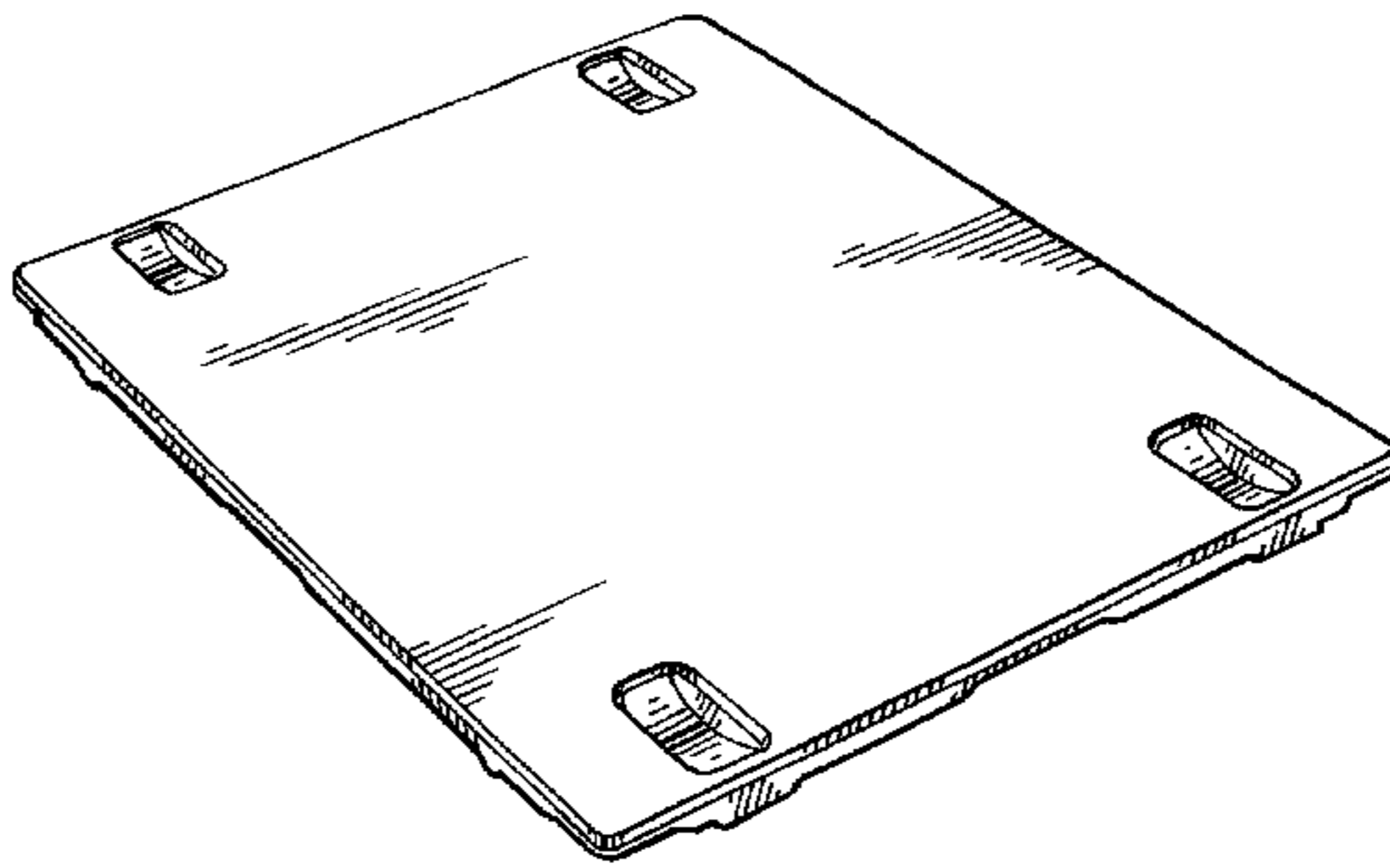
(57) **CLAIM**

The ornamental design for a flat top deck attachment for dolly, as shown and described.

**DESCRIPTION**

FIG. 1 is a top perspective view of a flat top deck attachment for a dolly showing our new design; FIG. 2 is a bottom perspective view thereof; FIG. 3 is a top plan view thereof; and, FIG. 4 is a bottom plan view thereof.

**1 Claim, 3 Drawing Sheets**



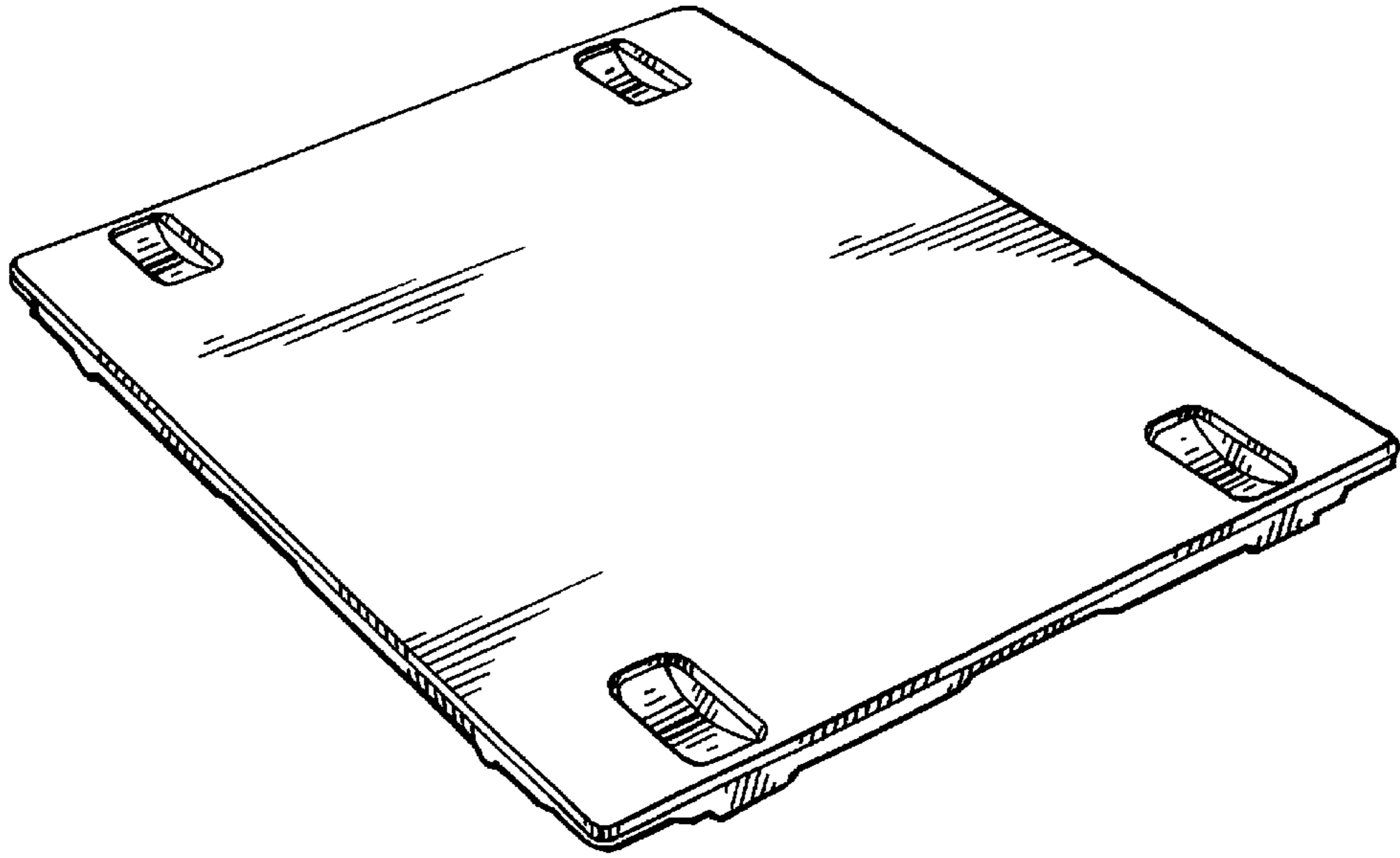


FIG. 1

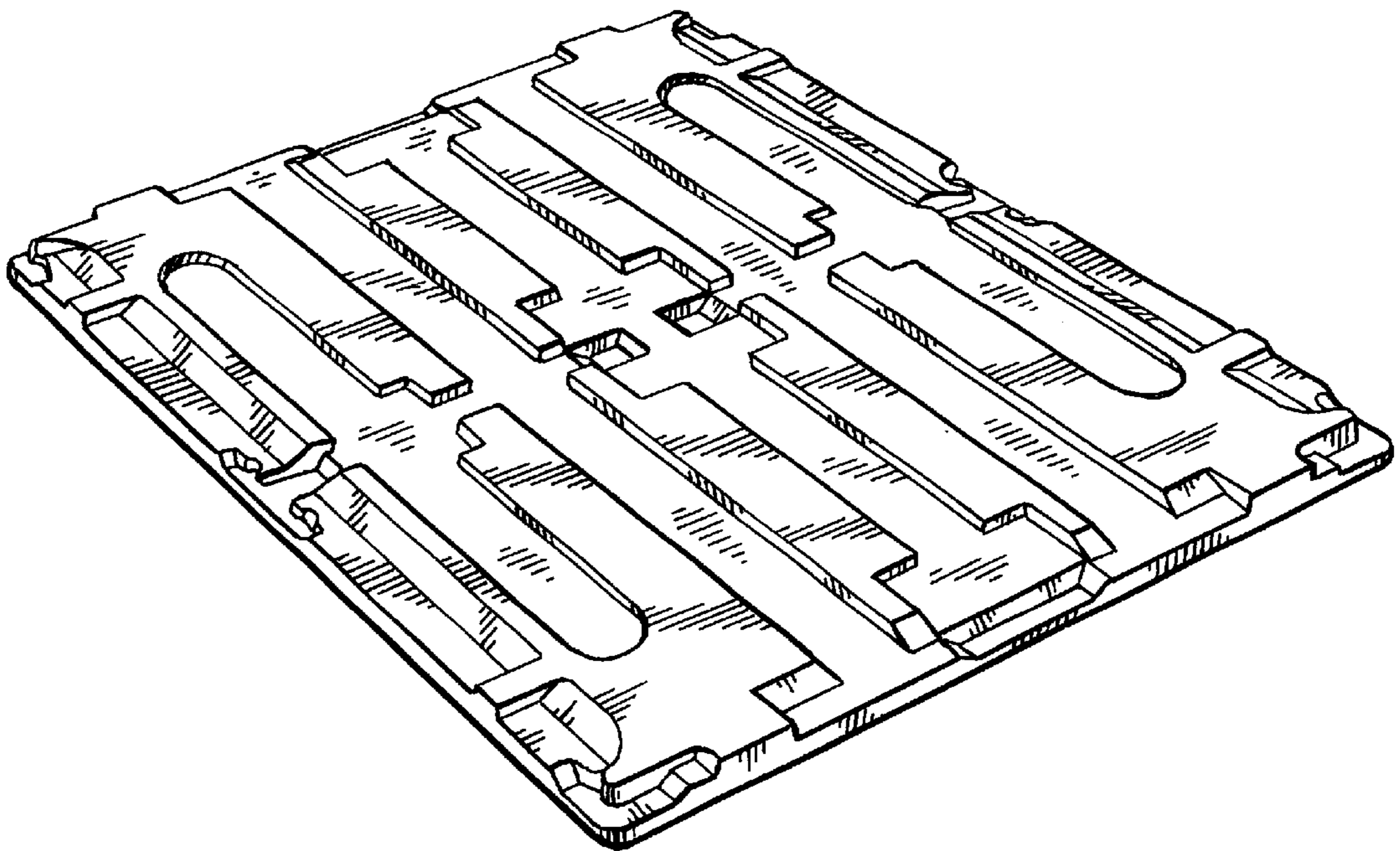


FIG. 2

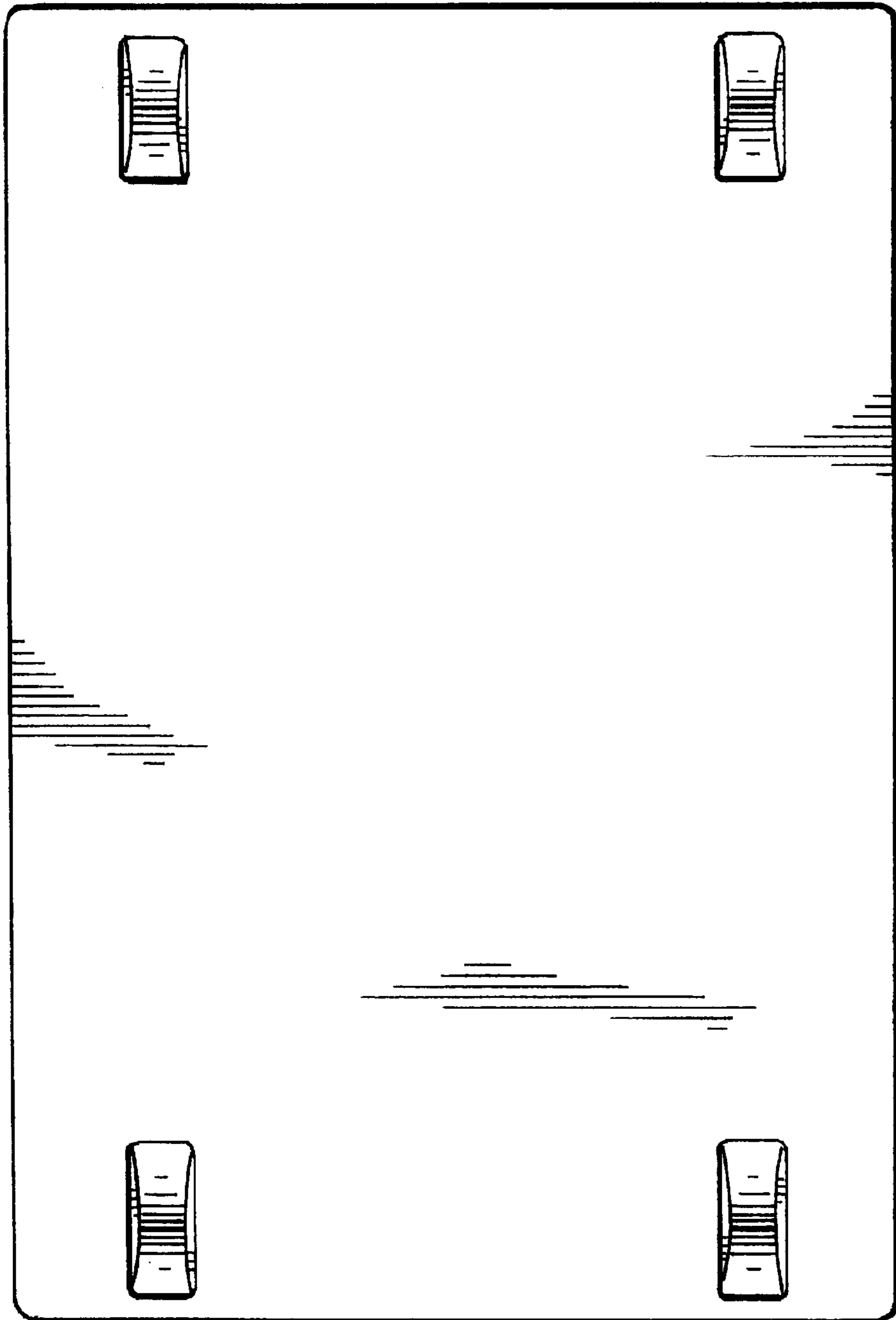


FIG. 3

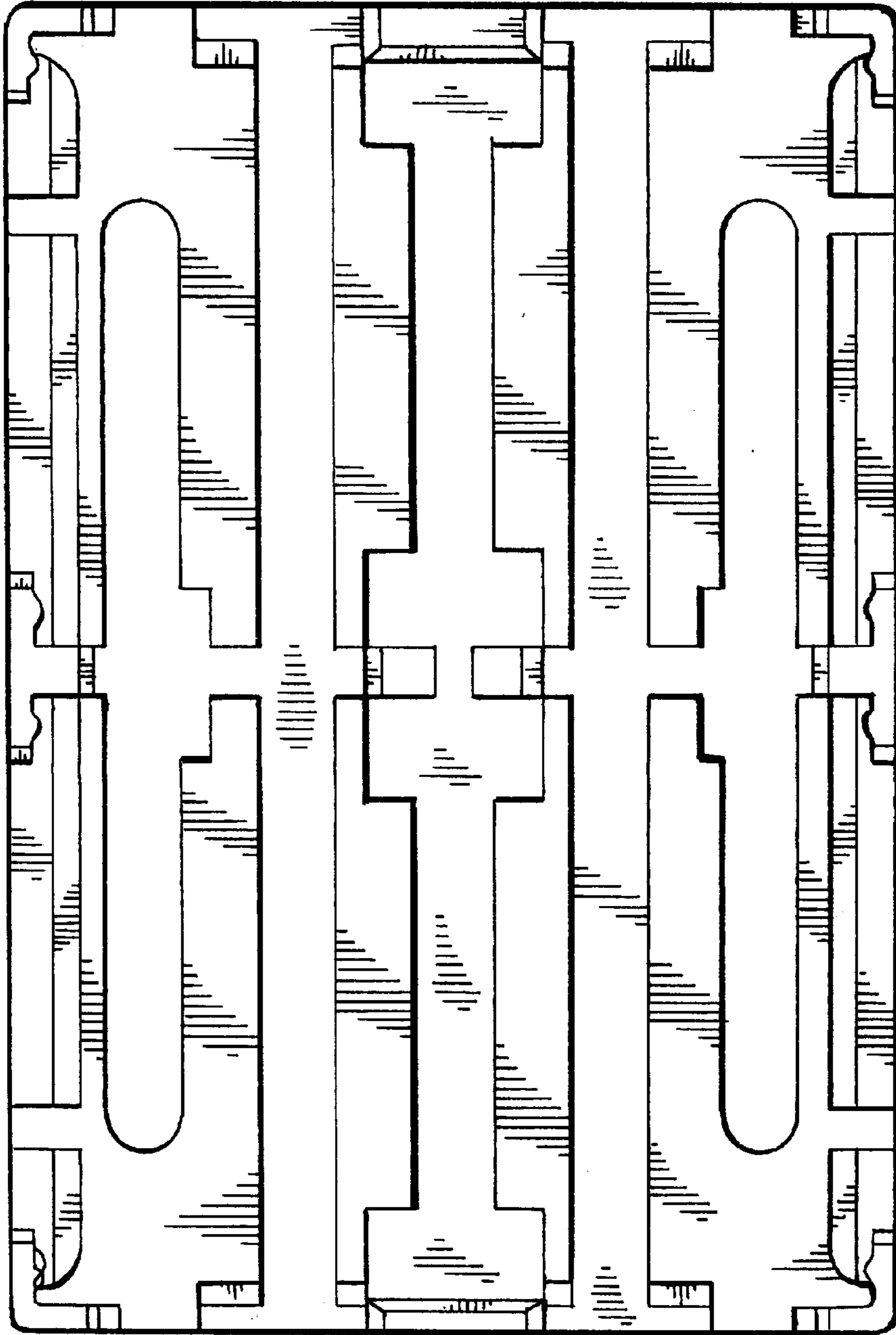


FIG. 4