



US00D445551S

(12) **United States Design Patent**
Marier

(10) **Patent No.:** **US D445,551 S**

(45) **Date of Patent:** **** Jul. 24, 2001**

(54) **CARRIER-APPARATUS FOR BATTERY**

(76) Inventor: **Normand Marier**, 6097 rue des Campanules, Charny, Quebec (CA), G6X 2J6

1,189,168	*	6/1916	Parsons	280/204
2,468,390	*	4/1949	Binz	280/36
4,869,517	*	9/1989	Smith	280/47.3
4,883,283	*	11/1989	Hazelett	280/204
5,098,113	*	3/1992	Albitre	280/204

* cited by examiner

(**) Term: **14 Years**

Primary Examiner—Kay H. Chin

(21) Appl. No.: **29/109,326**

(57) **CLAIM**

(22) Filed: **Aug. 16, 1999**

The ornamental design for a carrier-apparatus for battery, as shown and described.

(51) **LOC (7) Cl.** **12-02**

(52) **U.S. Cl.** **D34/12; D34/16**

(58) **Field of Search** **D34/12-27; 280/78, 280/47.3, 204, 492**

DESCRIPTION

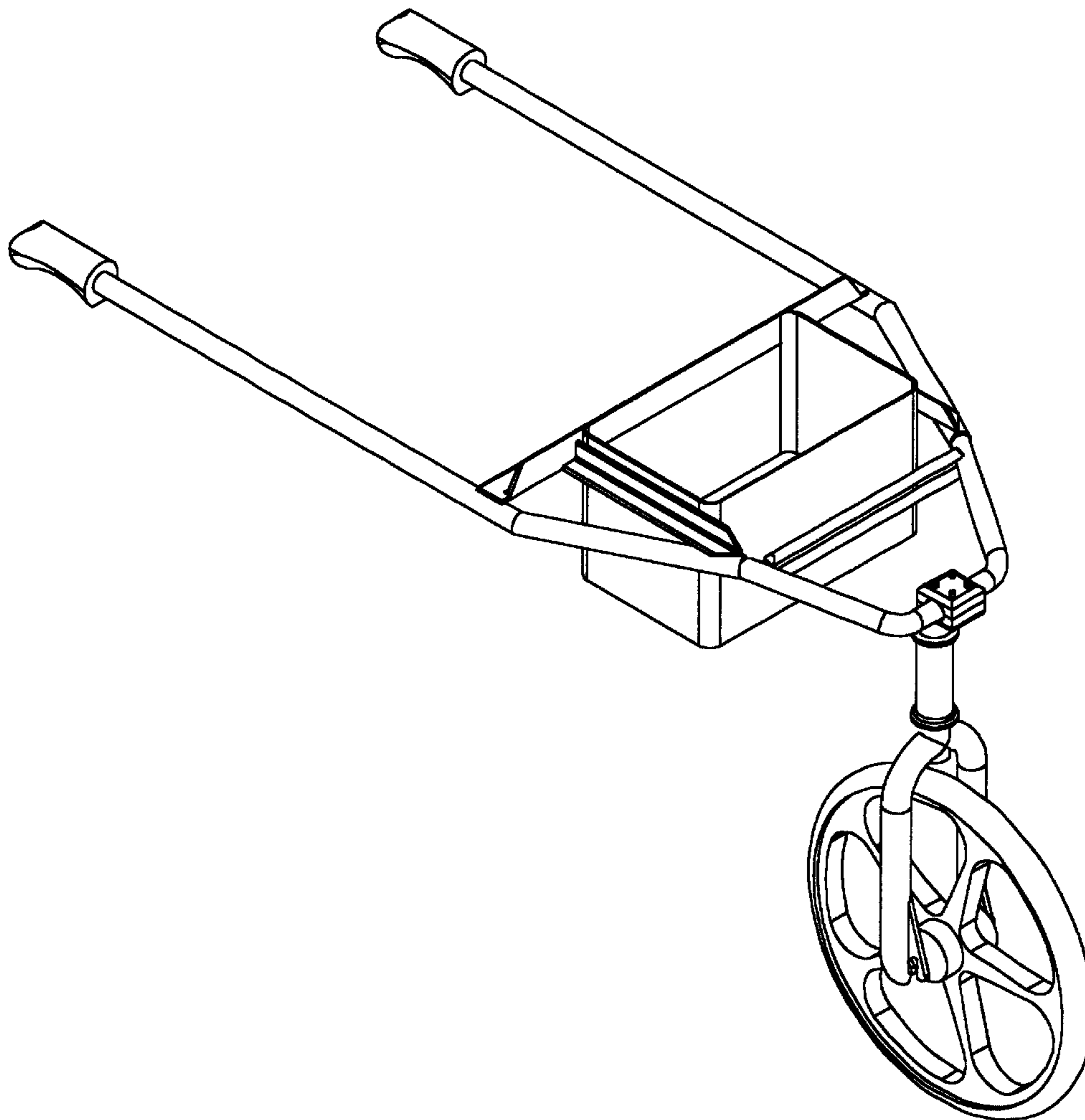
FIG. 1 shows a perspective view of a carrier-apparatus for battery showing my new design;
FIG. 2 shows an elevational view thereof;
FIG. 3 shows a top plan view thereof; and,
FIG. 4 shows a profile right side view thereof.

(56) **References Cited**

U.S. PATENT DOCUMENTS

D. 337,192	*	7/1993	Magyar	D34/16
D. 398,431	*	9/1998	McDonald	D34/12

1 Claim, 4 Drawing Sheets



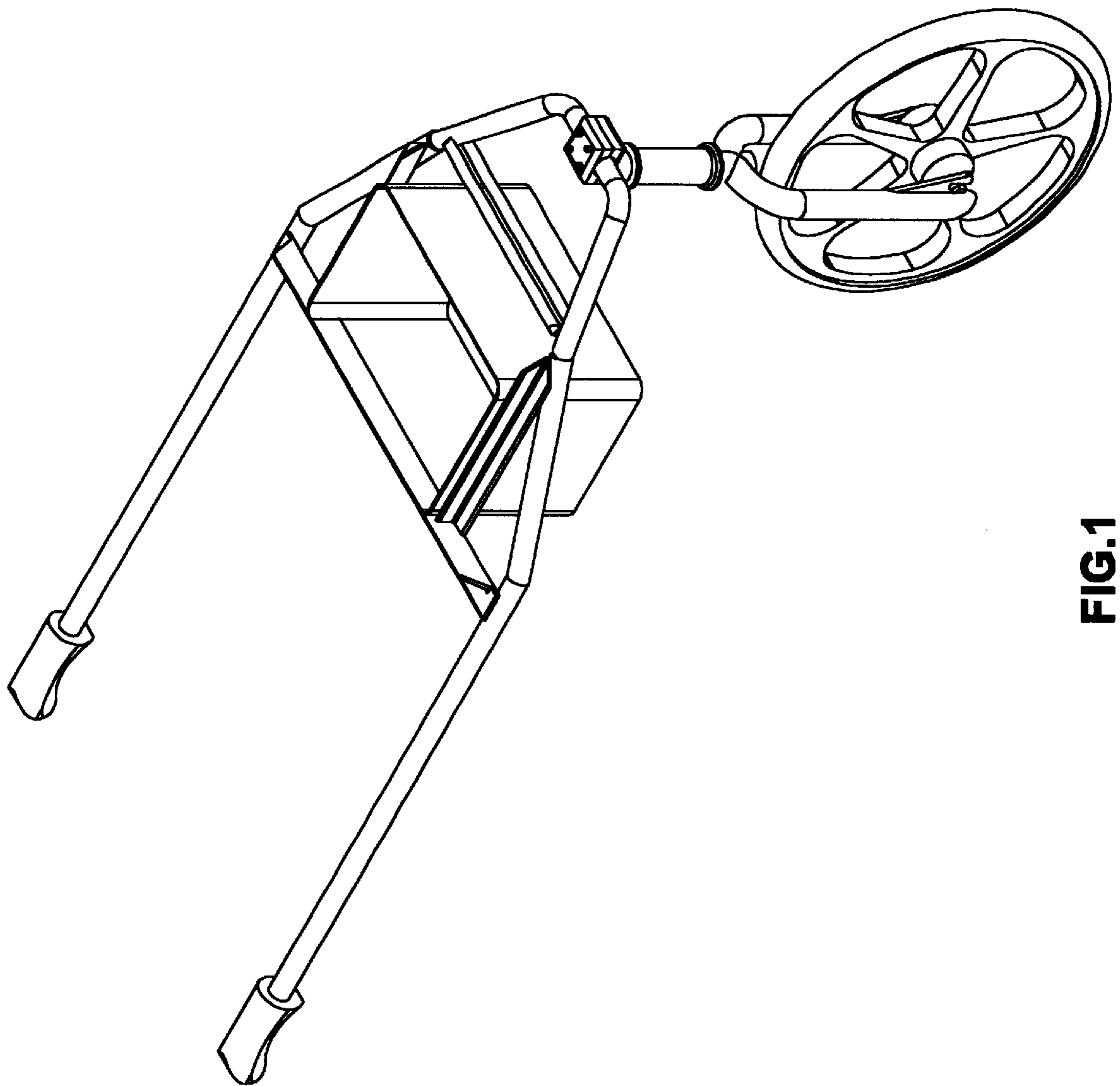


FIG.1

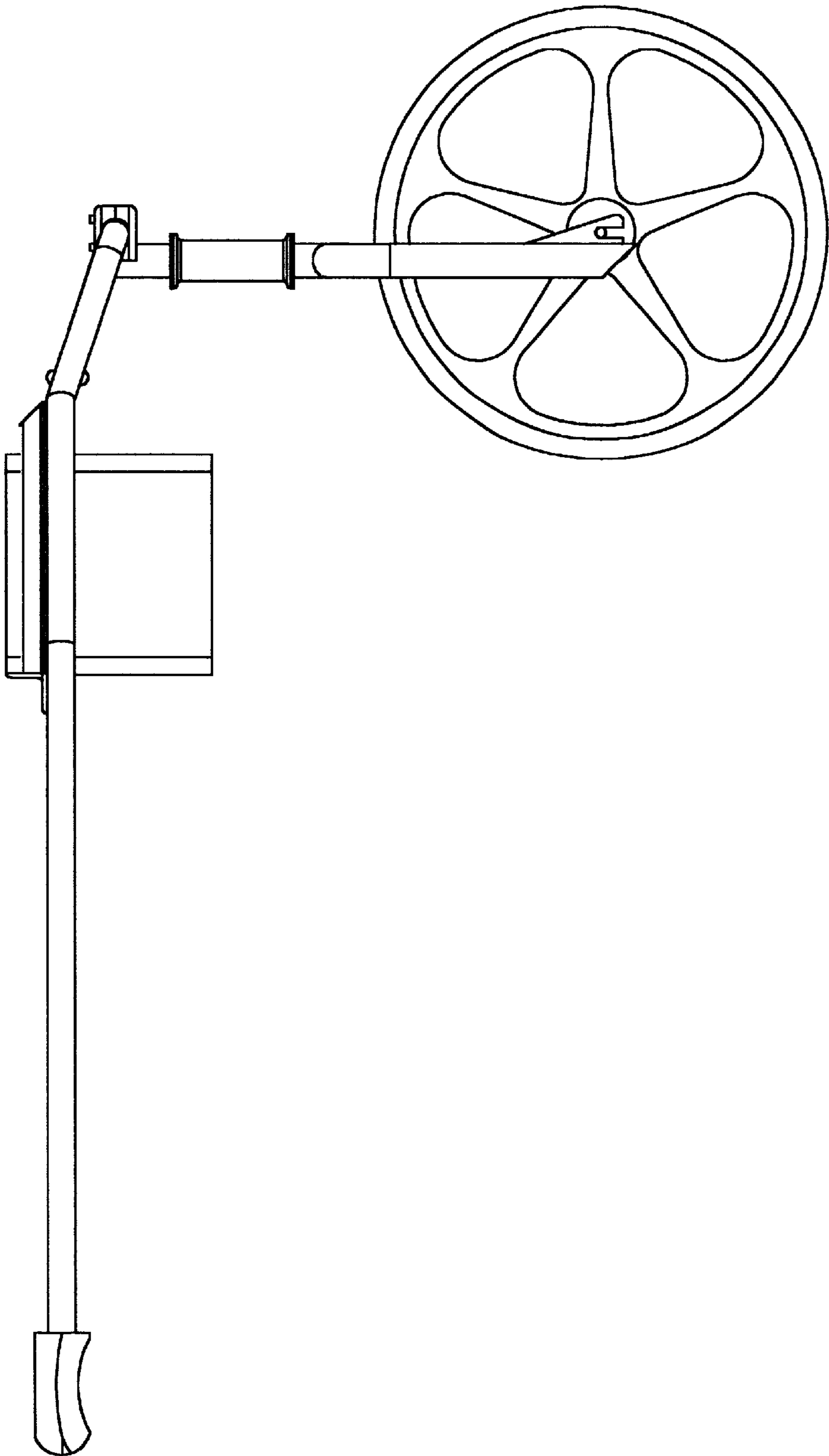


FIG.2

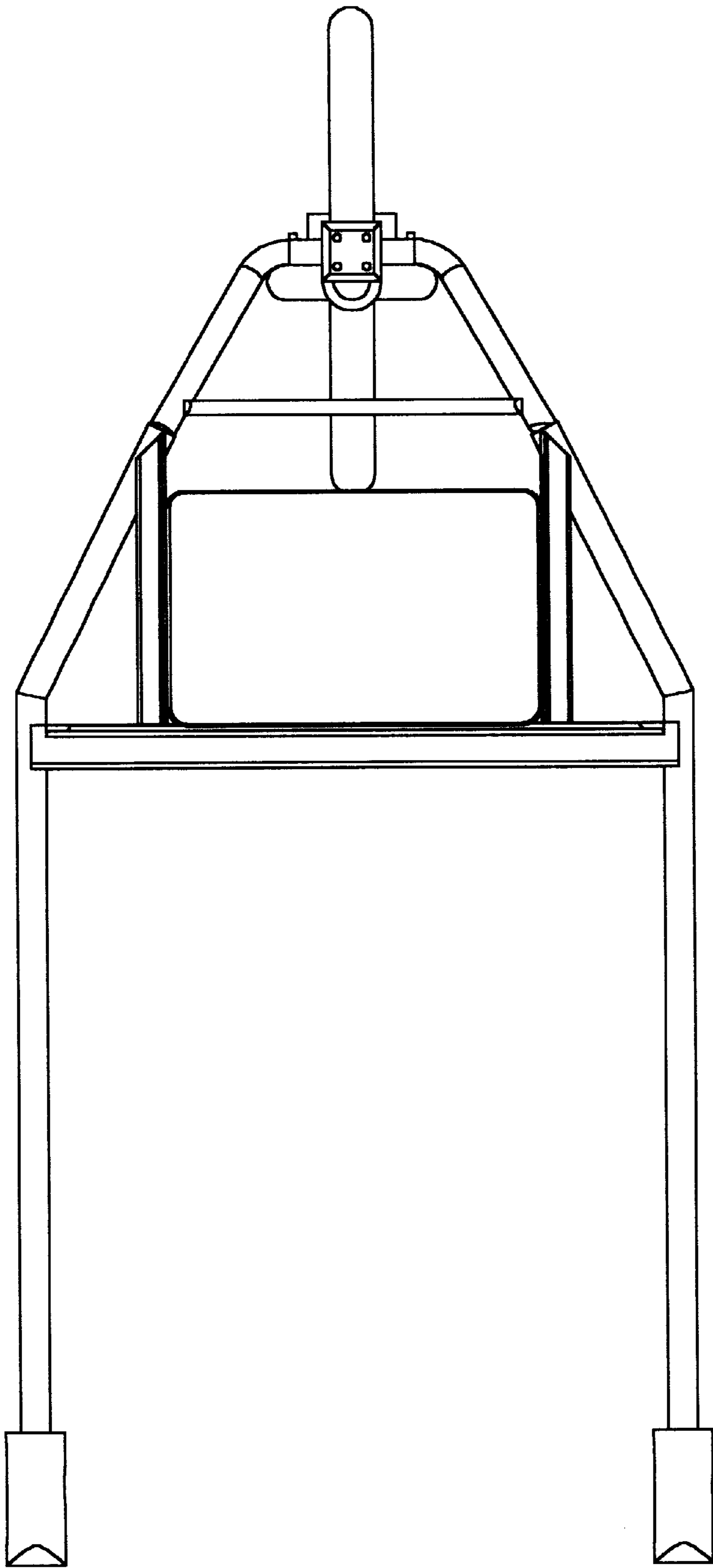


FIG.3

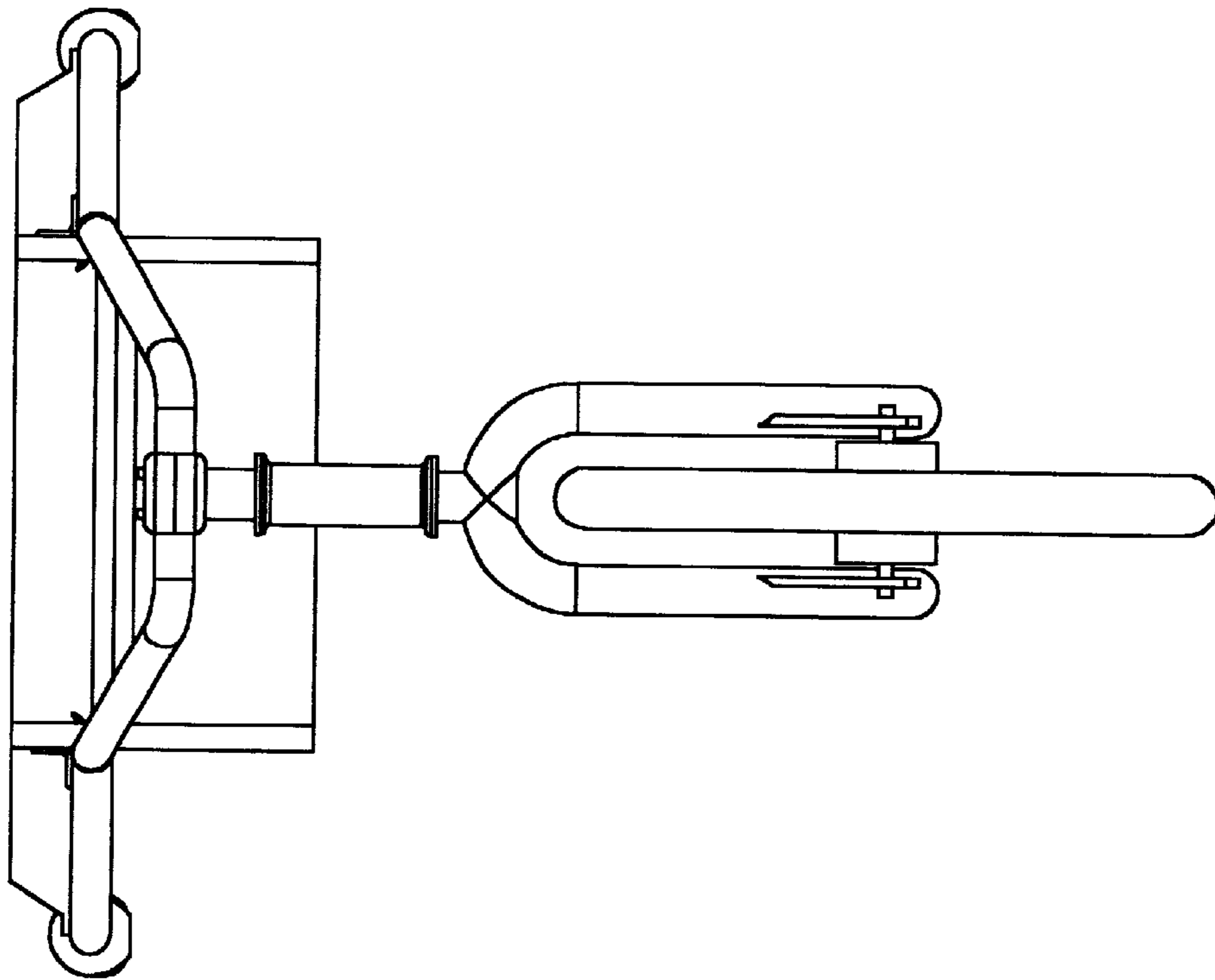


FIG.4