



US00D445550S

(12) **United States Design Patent**
Wigren et al.

(10) **Patent No.:** **US D445,550 S**

(45) **Date of Patent:** **** Jul. 24, 2001**

(54) **BAG HOLDER**

(76) Inventors: **Sonja Wigren**, Smaltarevagen 10,
SE-748 32 Osterbybruk; **Cecilia**
Wigren, Ekvagen 9, SE-756 53
Uppsala, both of (SE)

(**) **Term:** **14 Years**

(21) **Appl. No.:** **29/113,968**

(22) **Filed:** **Nov. 15, 1999**

(30) **Foreign Application Priority Data**

May 26, 1999 (SE) 990931

(51) **LOC (7) Cl.** **09-09**

(52) **U.S. Cl.** **D34/6**

(58) **Field of Search** D34/1, 5, 6, 10;
248/99, 95, 97, 100, 101; 220/908, 909,
910, 911; 15/257.1, 257.4; 383/33, 34,
36

(56) **References Cited**

U.S. PATENT DOCUMENTS

D. 188,261	*	6/1960	Kallstrom	D34/1
D. 312,715	*	12/1990	Galen	D34/6
D. 376,237	*	12/1996	Hayes, Sr. et al.	D34/6
D. 389,971	*	1/1998	Zickenberg	D34/5
4,659,045	*	4/1987	Flynn	248/99
4,664,348	*	5/1987	Corsaut, III et al.	248/99
4,775,123	*	10/1988	Borland et al.	248/99
4,832,291	*	5/1989	Nelson et al.	248/99
5,011,103	*	4/1991	Hayes et al.	248/99

5,014,943	*	5/1991	Nelson et al.	248/99
5,106,041	*	4/1992	Jelincic	248/99
5,149,028	*	9/1992	Blackaby et al.	248/101
5,498,046	*	3/1996	Ridley, Sr. et al.	15/257.1 X
5,785,369	*	7/1998	Ridley, Sr. et al.	15/257.1
6,030,010	*	2/2000	Graeff	248/99

* cited by examiner

Primary Examiner—Cynthia E Ramirez

(74) *Attorney, Agent, or Firm*—Fasth Law Offices; Rolf Fasth

(57) **CLAIM**

The ornamental design for a bag holder, as shown and described.

DESCRIPTION

FIG. 1 is a perspective view of the bag holder of the present invention;

FIG. 2 is a top view of the bag holder shown in FIG. 1;

FIG. 3 is an elevational front view of the bag holder shown in FIG. 2;

FIG. 4 is an elevational rear view of the bag holder shown in FIG. 2;

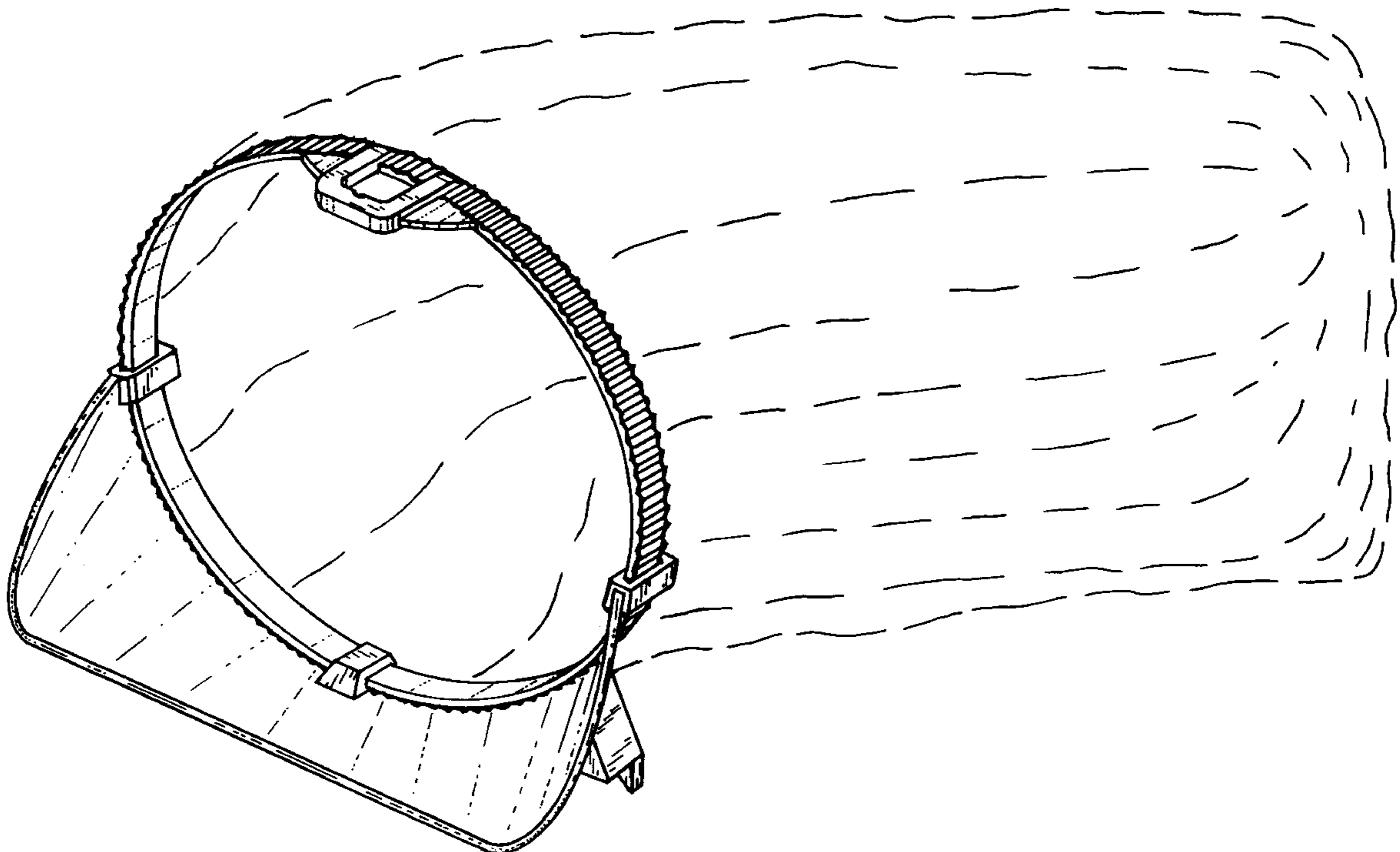
FIG. 5 is a bottom view of the bag holder shown in FIG. 2;

FIG. 6 is an elevational right side view of the bag holder shown in FIG. 2; and,

FIG. 7 is an elevational left side view of the bag holder shown in FIG. 2.

The broken line showing of a bag in FIG. 1 is for illustrative purposes only and forms no part of the claimed design.

1 Claim, 4 Drawing Sheets



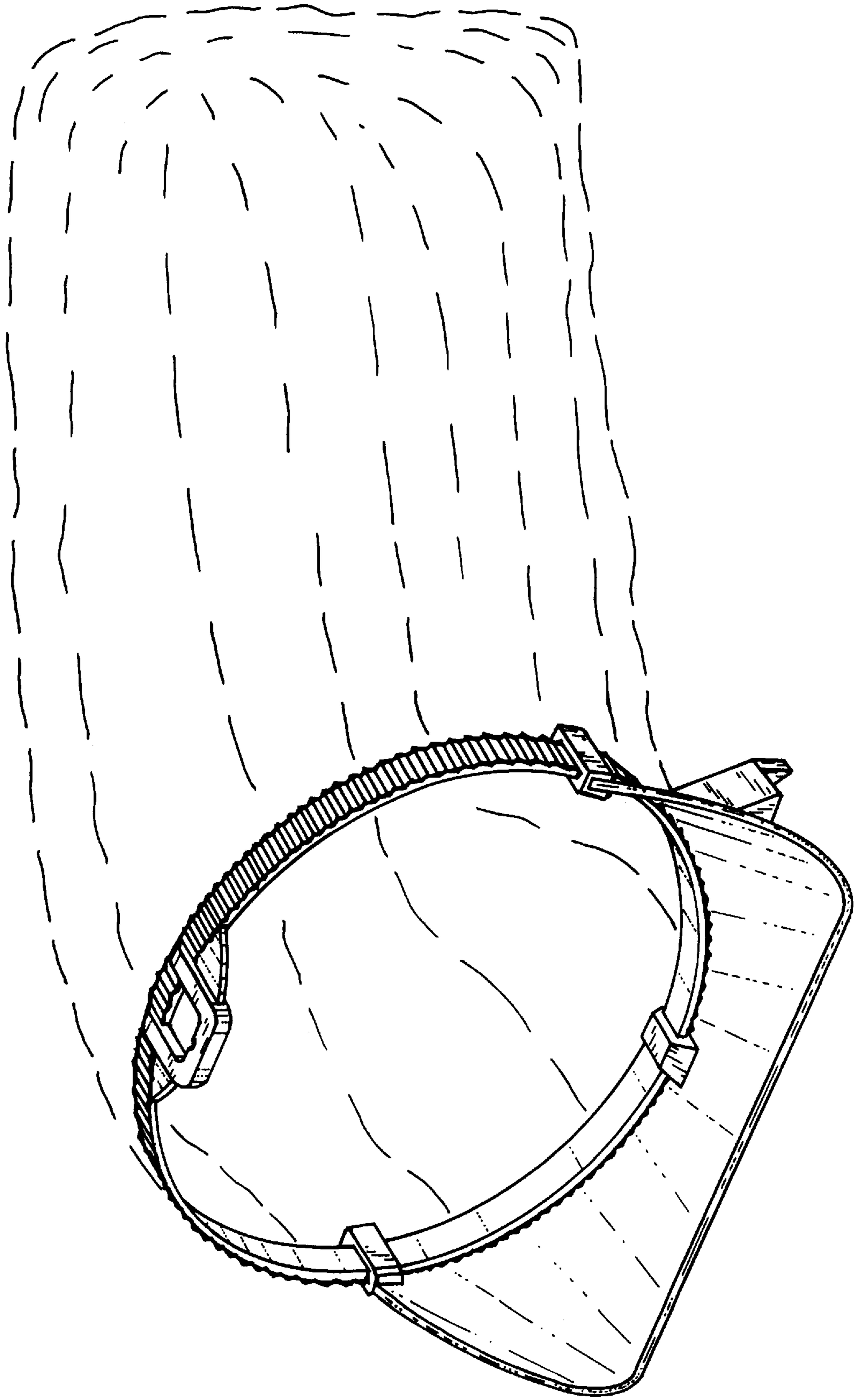


FIG. 1

FIG. 2

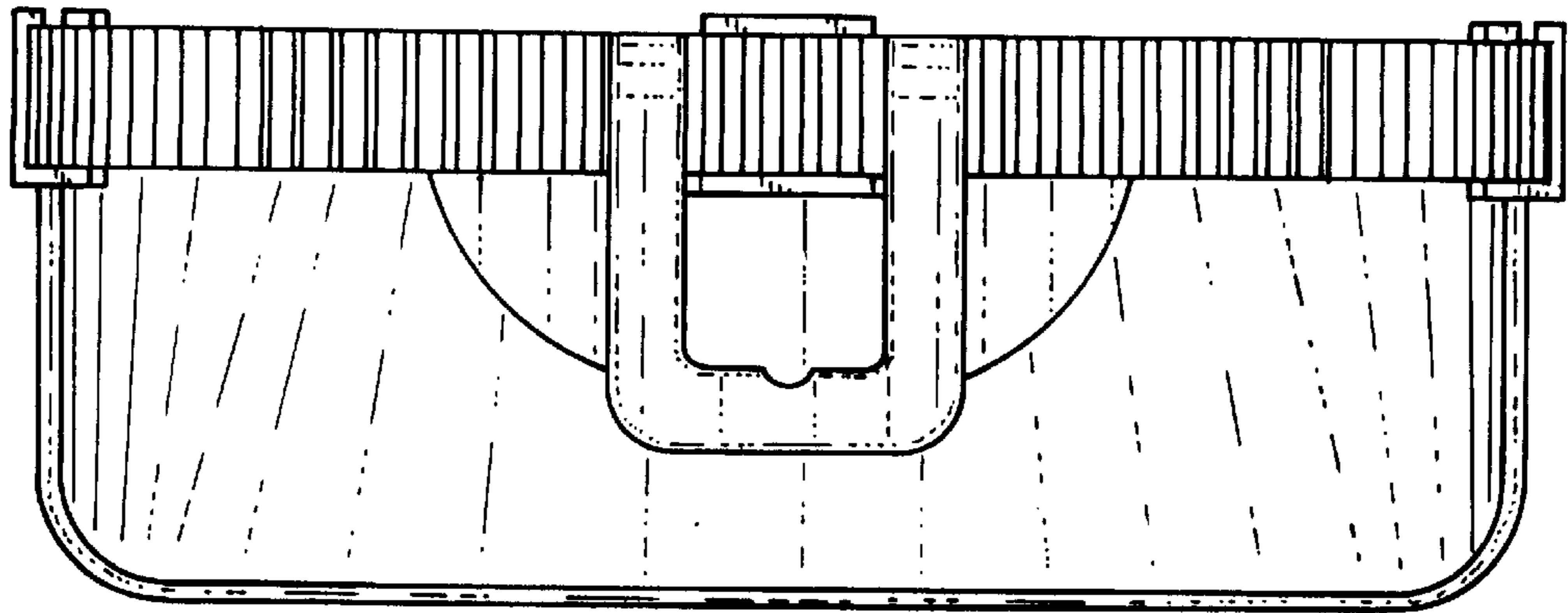


FIG. 3

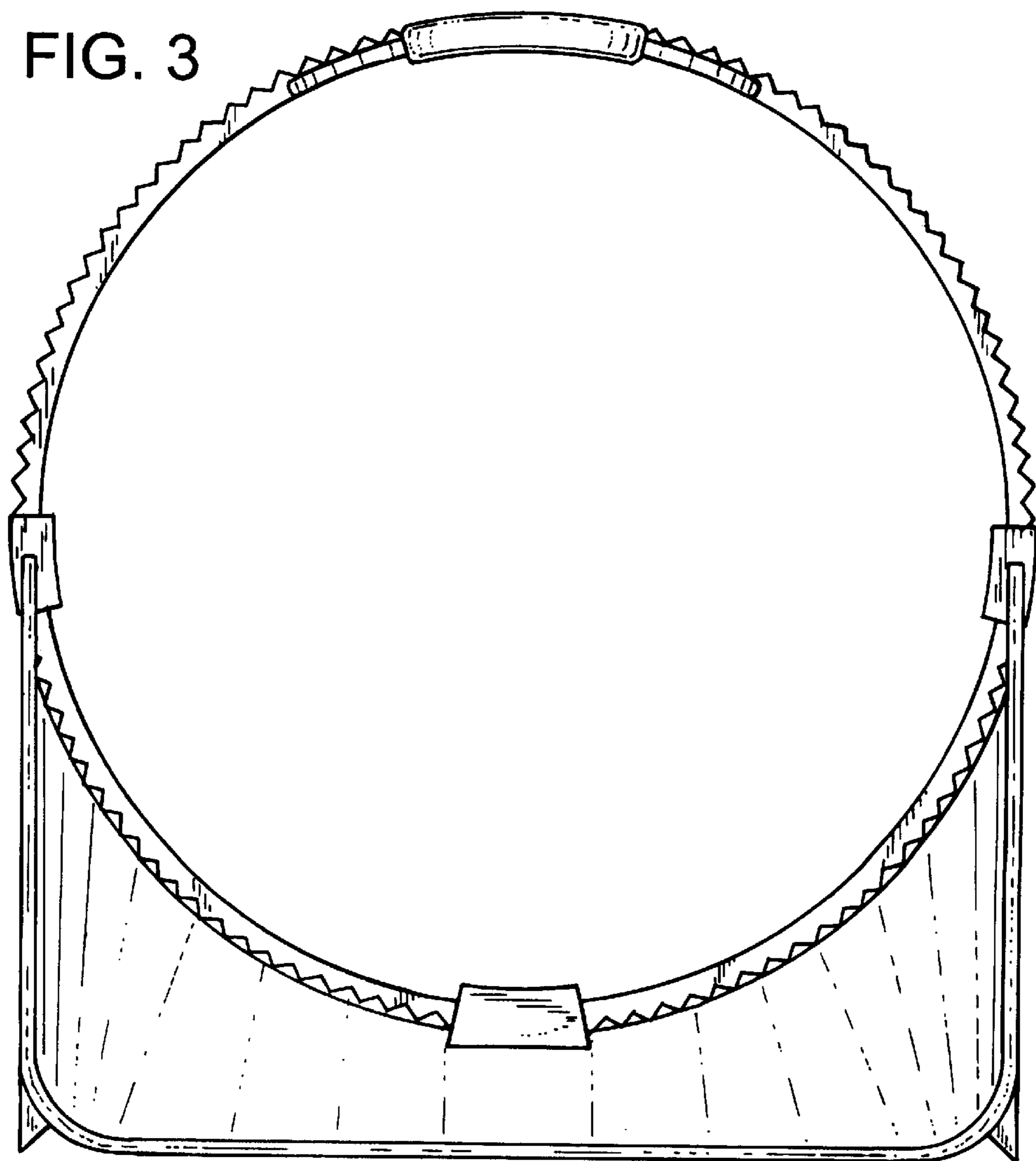


FIG. 4

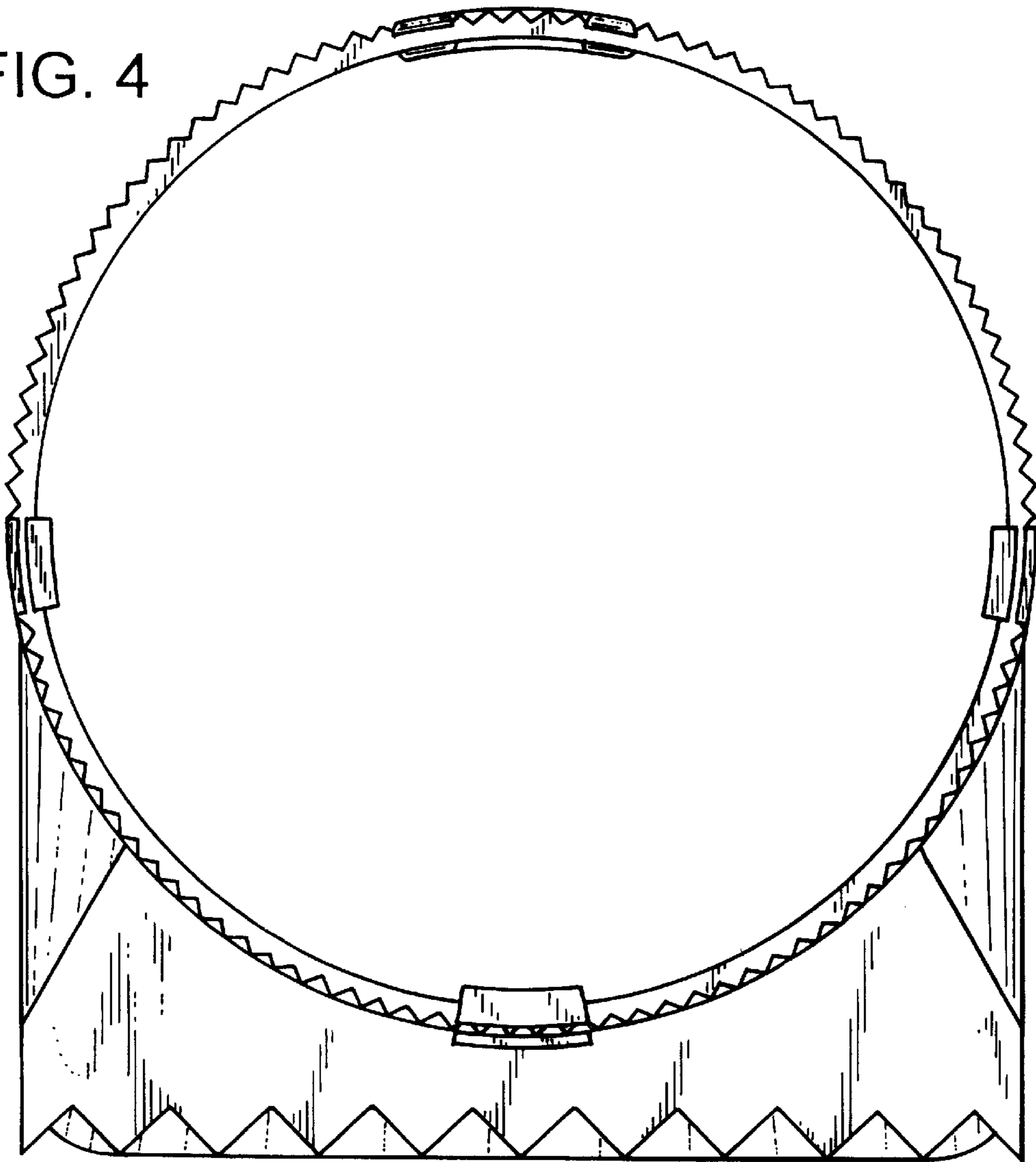
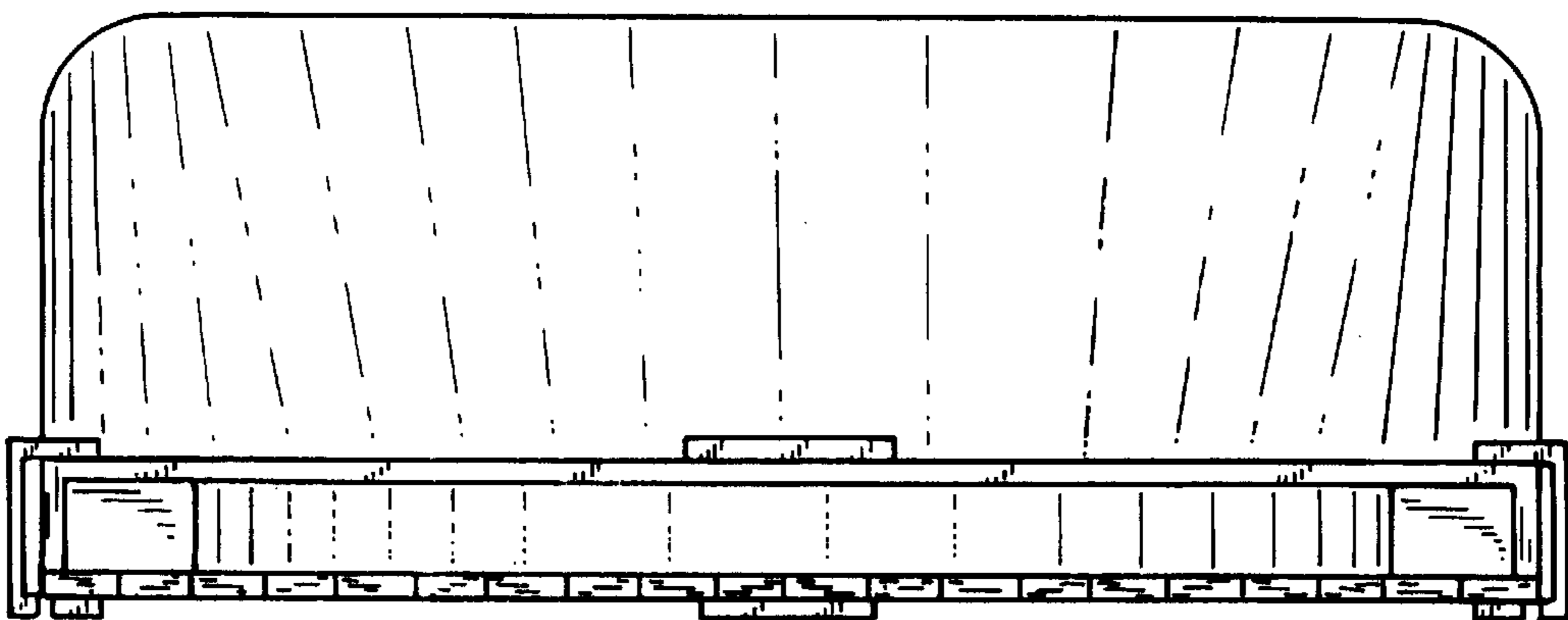


FIG. 5



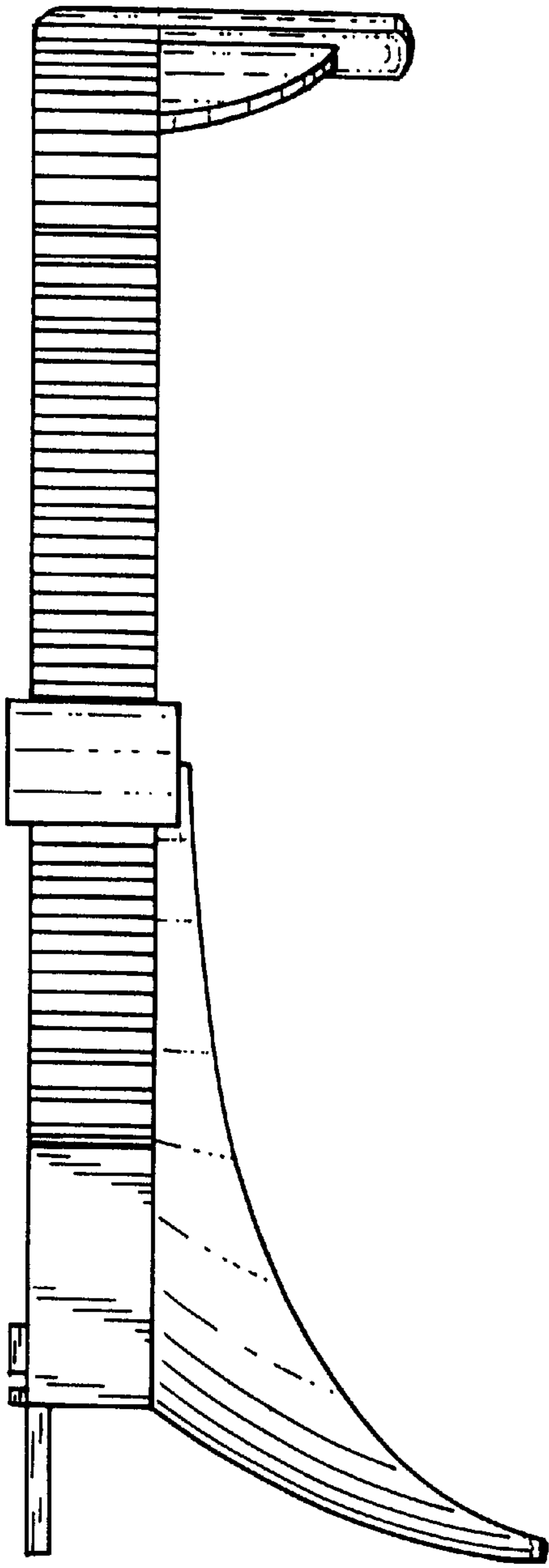


FIG. 6

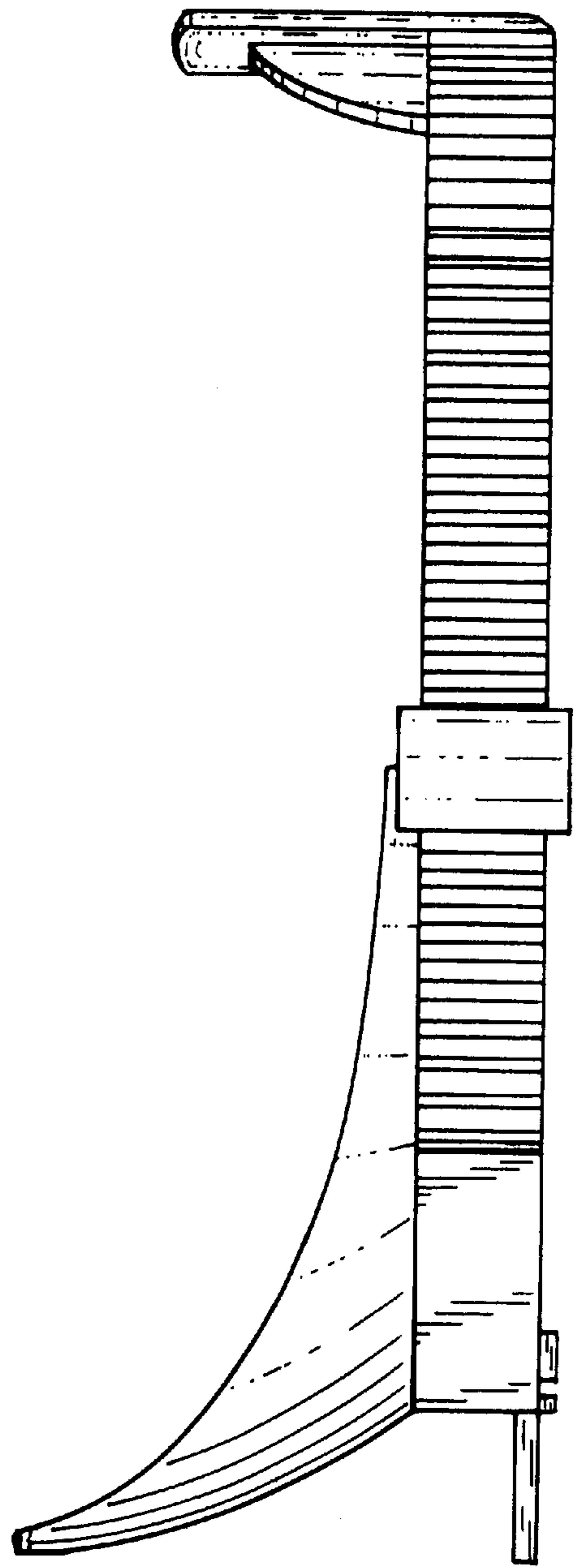


FIG. 7