



US00D445541S

(12) **United States Design Patent**
Wursthorn

(10) **Patent No.:** **US D445,541 S**

(45) **Date of Patent:** **** Jul. 24, 2001**

(54) **HAIR CLIPPER**

(75) **Inventor:** **Günter Wursthorn, Unterkirnach (DE)**

(73) **Assignee:** **Moser Elektrogeräte GmbH,**
Unterkirnach (DE)

(**) **Term:** **14 Years**

(21) **Appl. No.:** **29/118,508**

(22) **Filed:** **Feb. 10, 2000**

Related U.S. Application Data

(62) Division of application No. 29/100,369, filed on Feb. 10, 1999, now Pat. No. Des. 437,088.

(30) **Foreign Application Priority Data**

Nov. 2, 1998 (DE) 127 946 701

(51) **LOC (7) Cl.** **28-03**

(52) **U.S. Cl.** **D28/53**

(58) **Field of Search** D28/49-53; 30/34.05,
30/34.1, 42, 43, 43.1-43.5, 43.7-43.9, 43.91,
43.92, 196-223

(56) **References Cited**

U.S. PATENT DOCUMENTS

D. 192,424 * 3/1962 Myers et al. D28/53
D. 196,504 * 10/1963 Andis D28/53

D. 212,841 * 11/1968 Madl D28/53
D. 360,054 * 7/1995 Kip D28/51
D. 387,487 * 12/1997 Sulik D28/53
D. 408,586 * 4/1999 Nielsen et al. D28/53
D. 424,242 * 5/2000 Picozza et al. D28/53
1,596,241 * 8/1926 Donnellon 30/223
1,877,749 * 9/1932 Andis 30/201
2,789,347 * 4/1957 Wahl et al. 30/208
2,819,522 * 1/1958 Jepson et al. 30/216
2,908,970 * 10/1959 Braun et al. 30/41.6

* cited by examiner

Primary Examiner—Catherine Tuttle

(74) *Attorney, Agent, or Firm*—Foley, Hoag & Eliot LLP

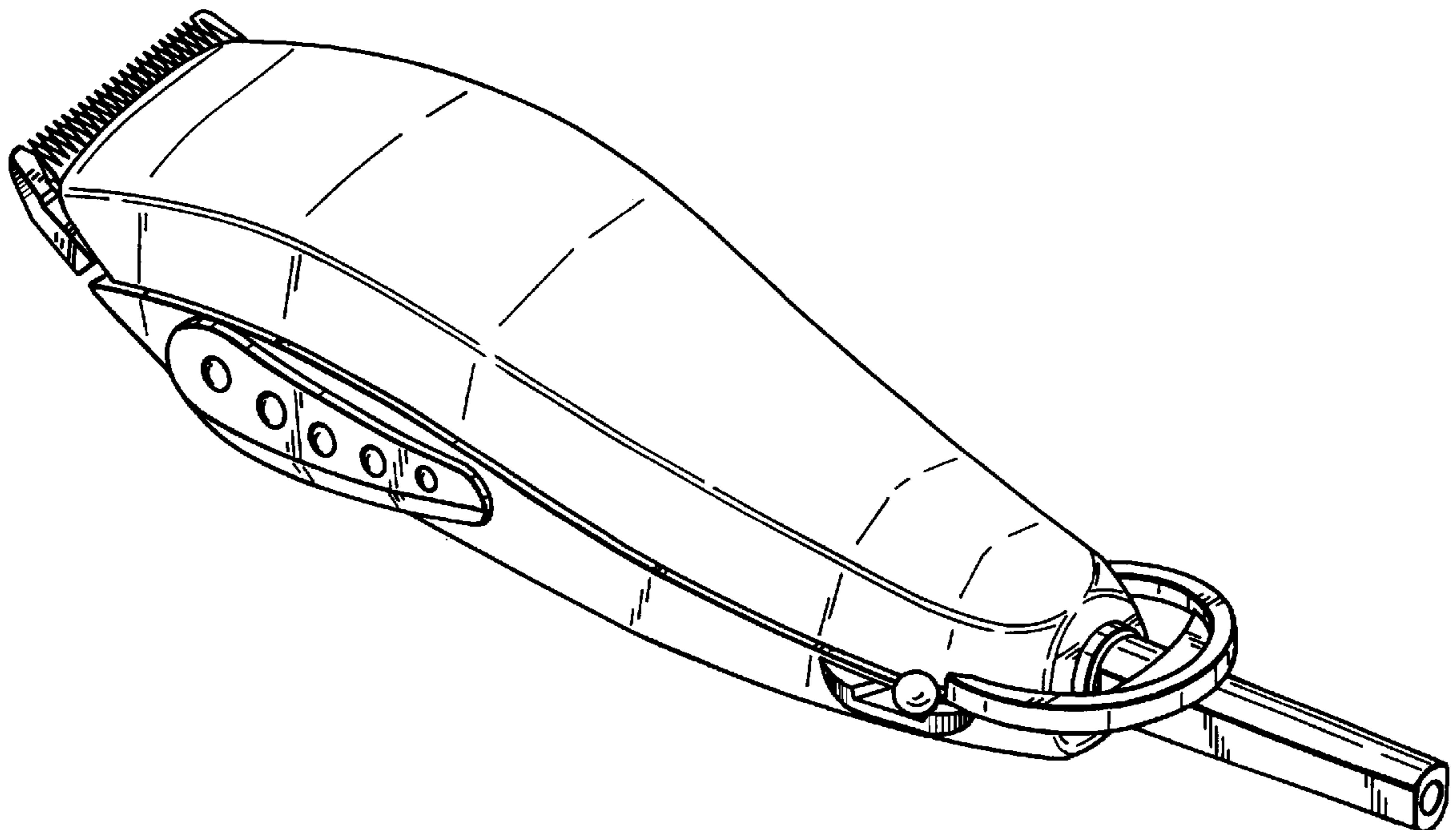
(57) **CLAIM**

The ornamental design for a hair clipper, as shown and described.

DESCRIPTION

FIG. 1 is a perspective view of a hair clipper of the new design;
FIG. 2 is a right side elevational view thereof;
FIG. 3 is a top plan view thereof;
FIG. 4 is a rear end elevational view thereof;
FIG. 5 is a left side elevational view thereof;
FIG. 6 is a front end elevational view thereof; and,
FIG. 7 is a bottom plan view thereof.

1 Claim, 3 Drawing Sheets



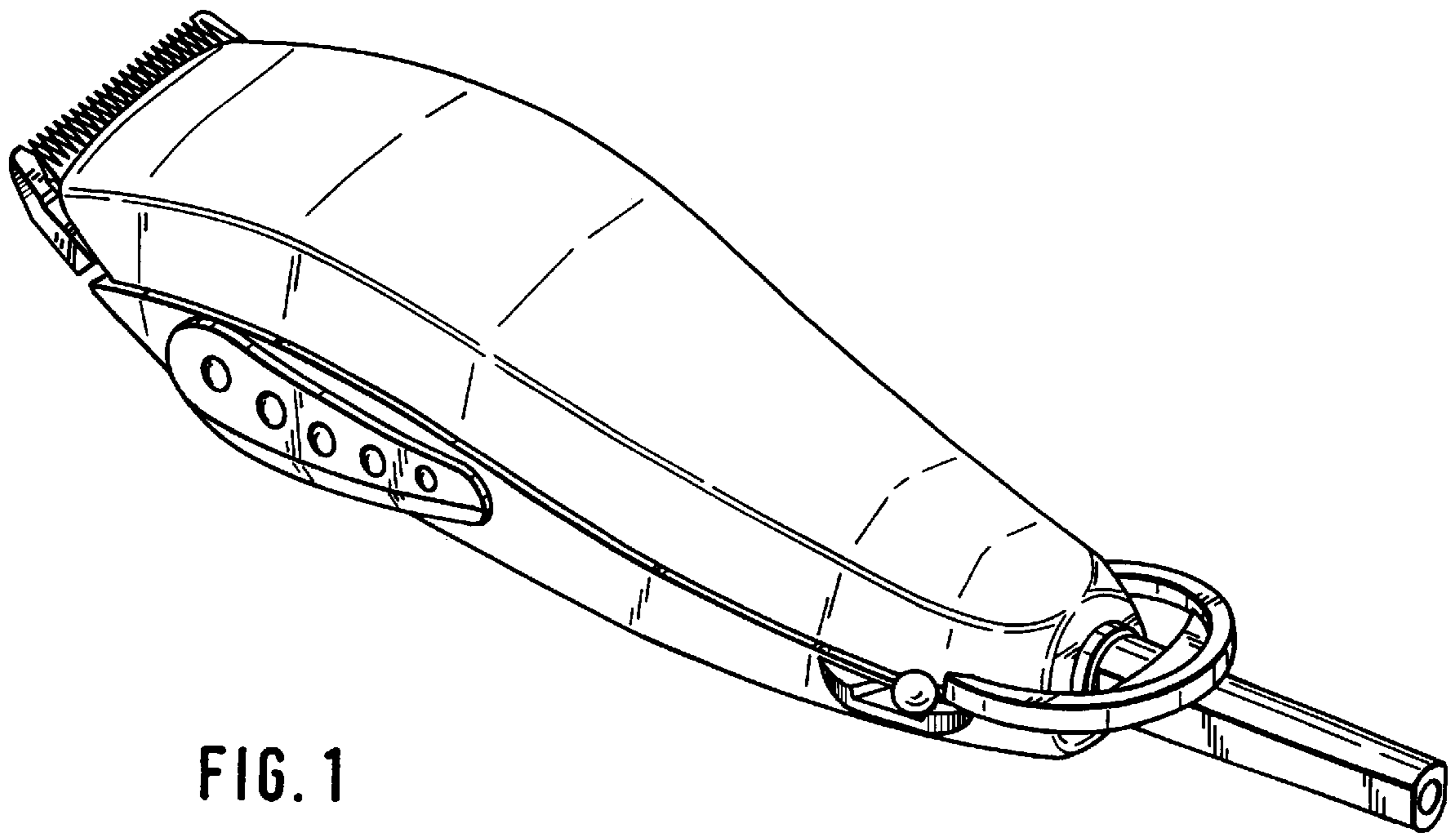


FIG. 1

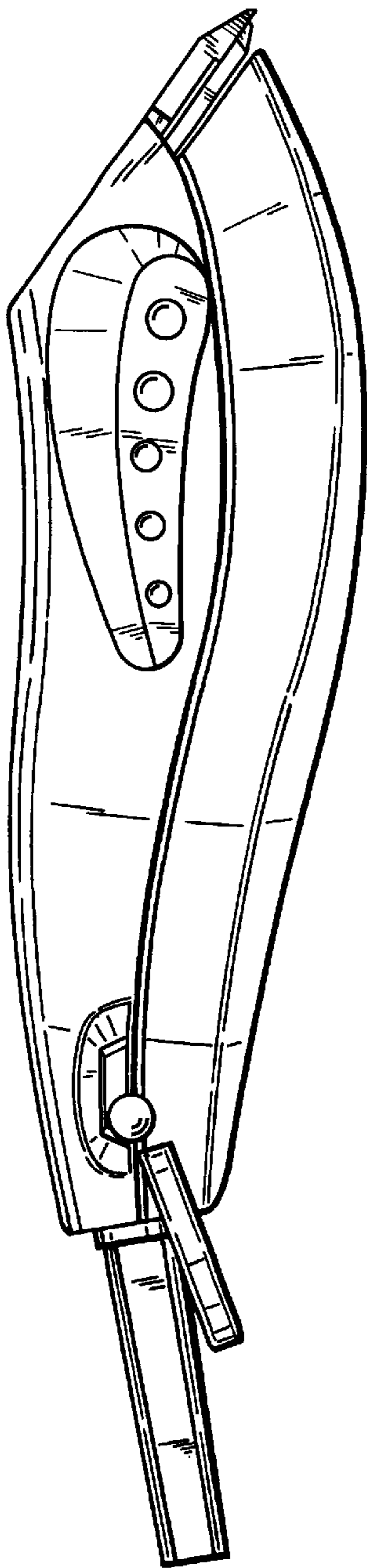


FIG. 2

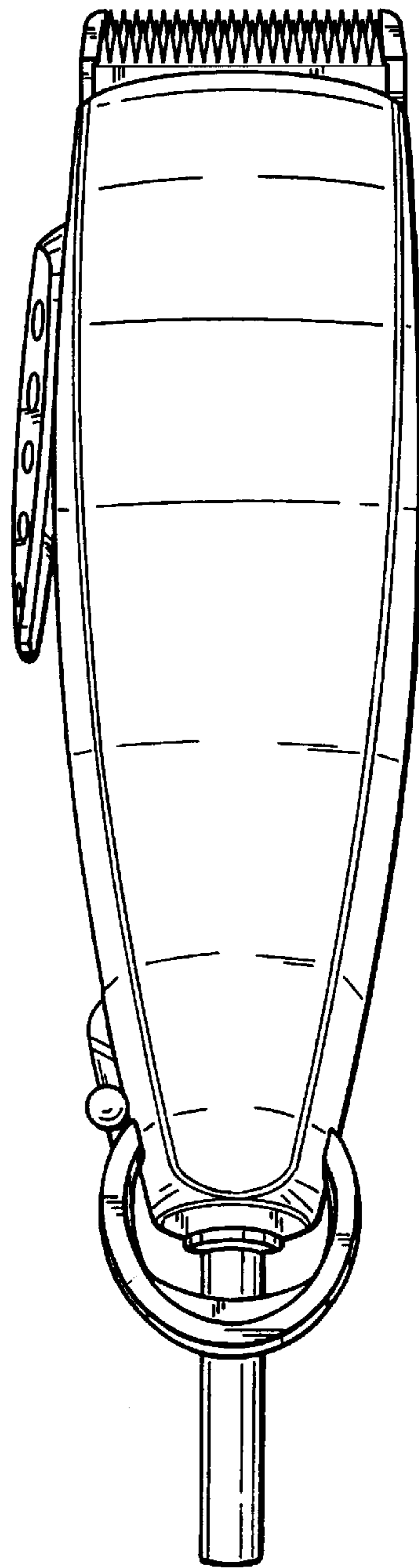


FIG. 3

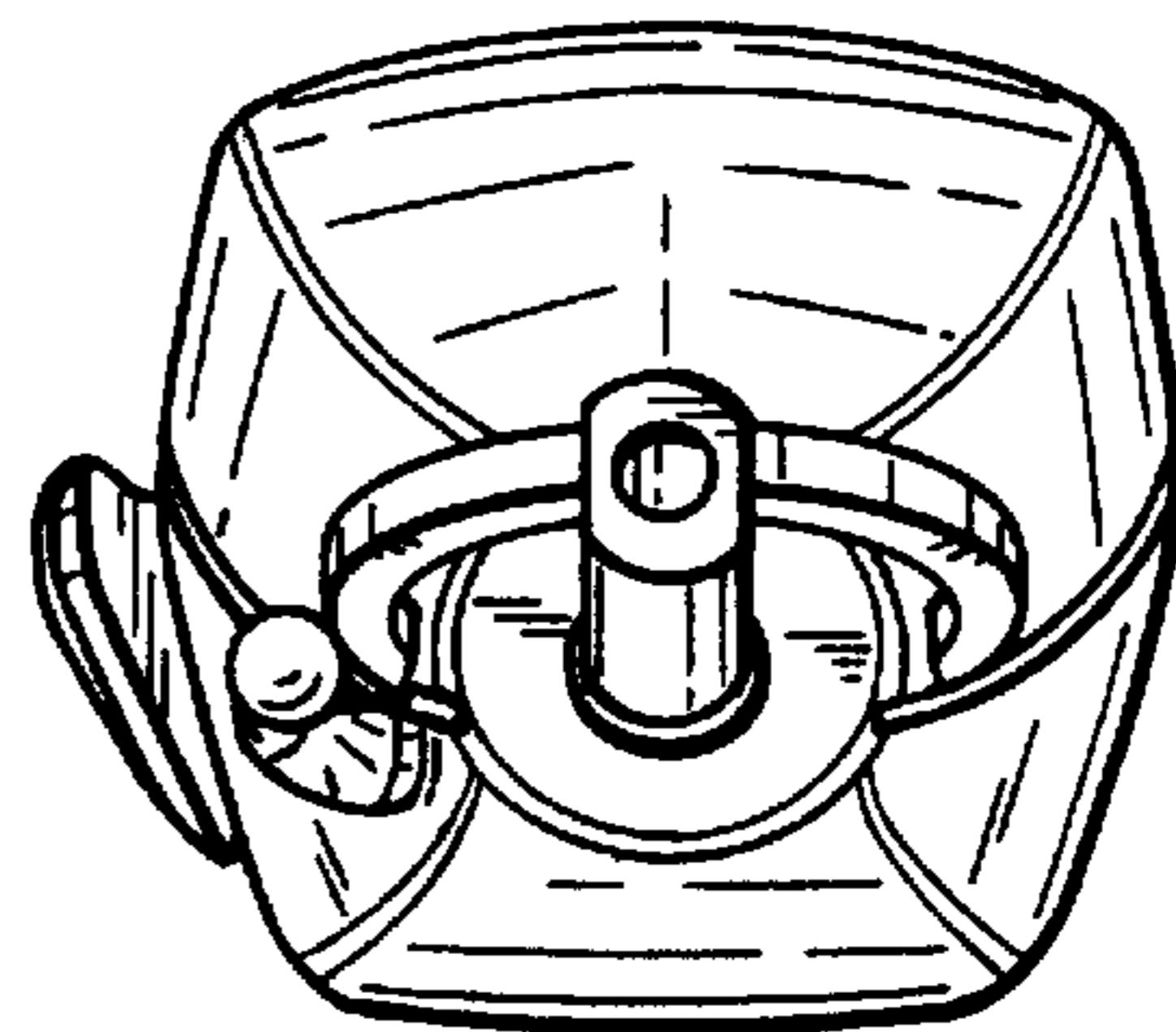


FIG. 4

FIG. 6

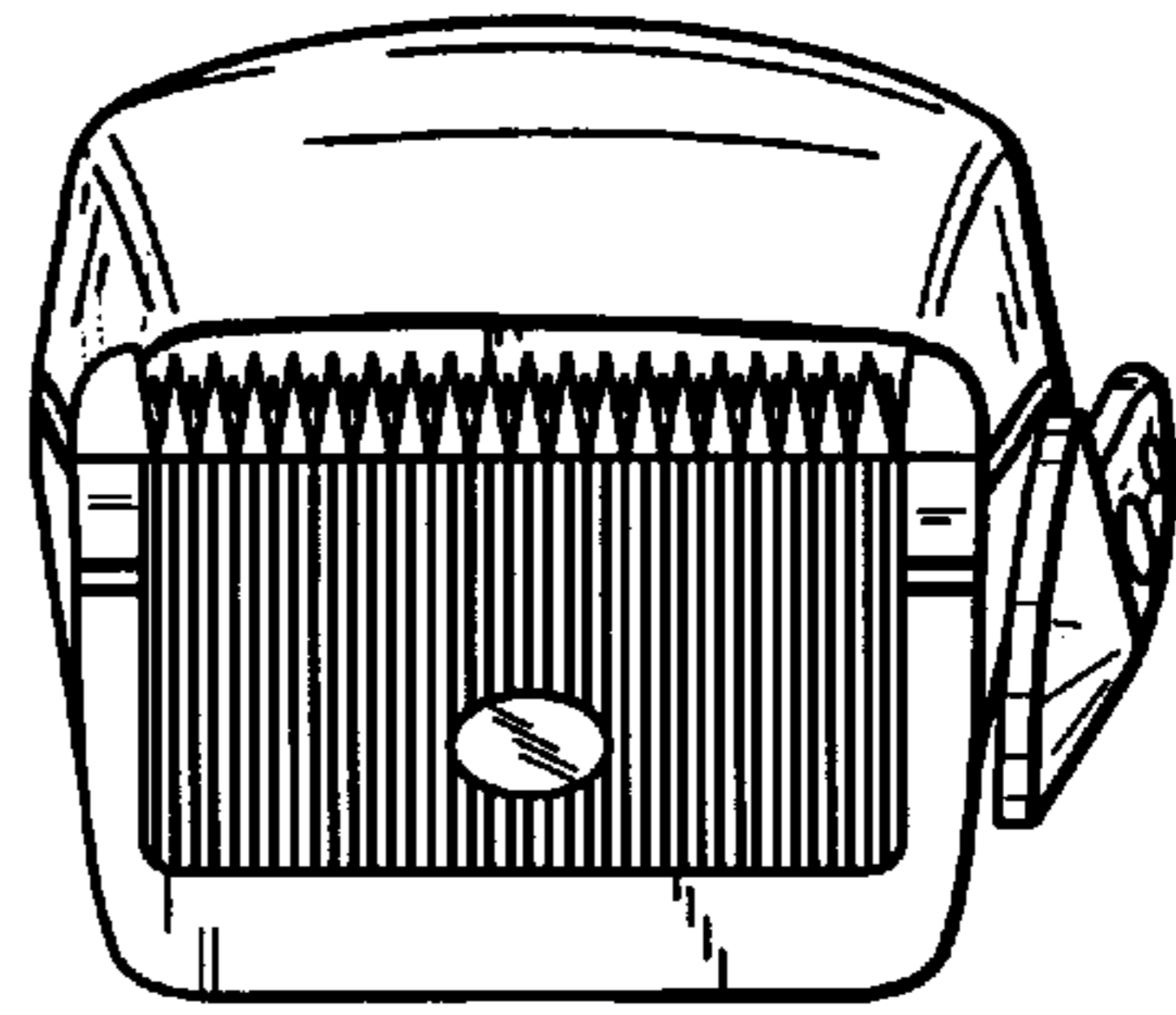


FIG. 5

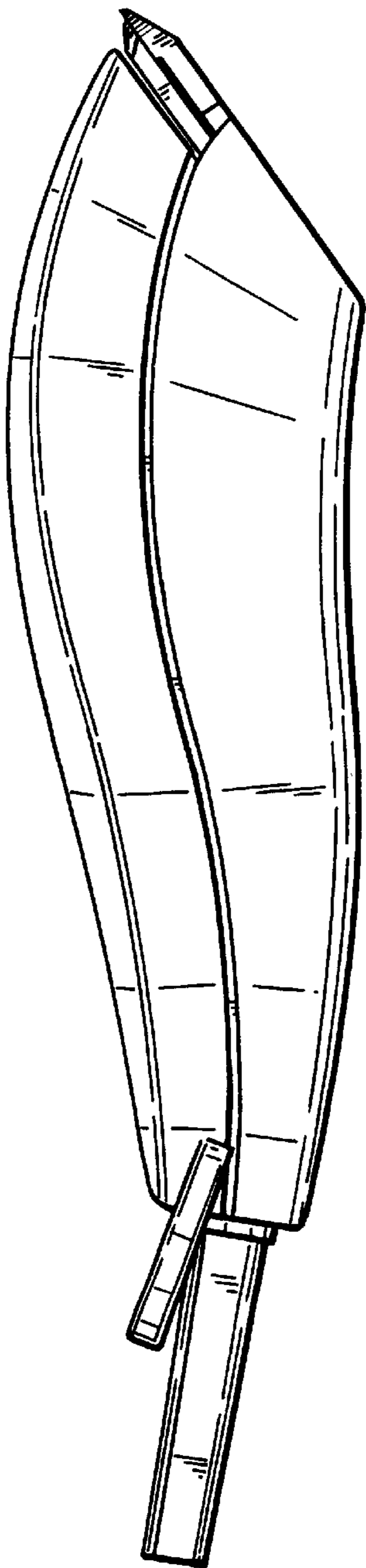


FIG. 7

